



US00D354539S

United States Patent [19]

[11] Patent Number: **Des. 354,539**

Meibock et al.

[45] Date of Patent: **** Jan. 17, 1995**

[54] **IN-LINE ROLLER SKATE FRAME**

[75] Inventors: **Antonin A. Meibock**, Cleveland, Ohio; **John E. Svensson**, Seattle, Wash.

[73] Assignee: **K-2 Corporation**, Vashon, Wash.

[**] Term: **14 Years**

[21] Appl. No.: **17,353**

[22] Filed: **Jan. 11, 1994**

5,028,058 7/1991 Olsen 280/11.22
 5,046,746 9/1991 Gierveld 280/11.22
 5,048,848 9/1991 Olson et al. 280/11.22
 5,088,748 2/1992 Koselka 280/11.22
 5,092,614 3/1992 Malewicz 280/11.22
 5,129,663 7/1992 Soo 280/7.14
 5,192,088 3/1993 Yu 280/11.22
 5,193,827 3/1993 Olsen 280/11.22
 5,226,673 7/1993 Cech 280/11.22
 5,253,884 10/1993 Landers 280/11.22

Related U.S. Application Data

[63] Continuation-in-part of Ser. No. 94,576, Jul. 19, 1993, Ser. No. 100,745, Aug. 2, 1993, and Ser. No. 120,629, Sep. 13, 1993.

[52] U.S. Cl. **D21/226**

[58] Field of Search **D21/224-226;**
D2/904; 280/11.2, 11.22, 11.23, 11.27

References Cited

U.S. PATENT DOCUMENTS

D. 321,393 11/1991 Olson et al. D21/226
 D. 323,540 1/1992 Graham D21/225
 D. 324,713 3/1992 Rubin D21/226
 D. 334,225 3/1993 Graham D21/226
 D. 346,192 4/1994 Miller D21/226
 1,868,548 7/1932 Turner .
 3,287,023 11/1966 Ware .
 4,909,523 3/1990 Olson 280/11.2

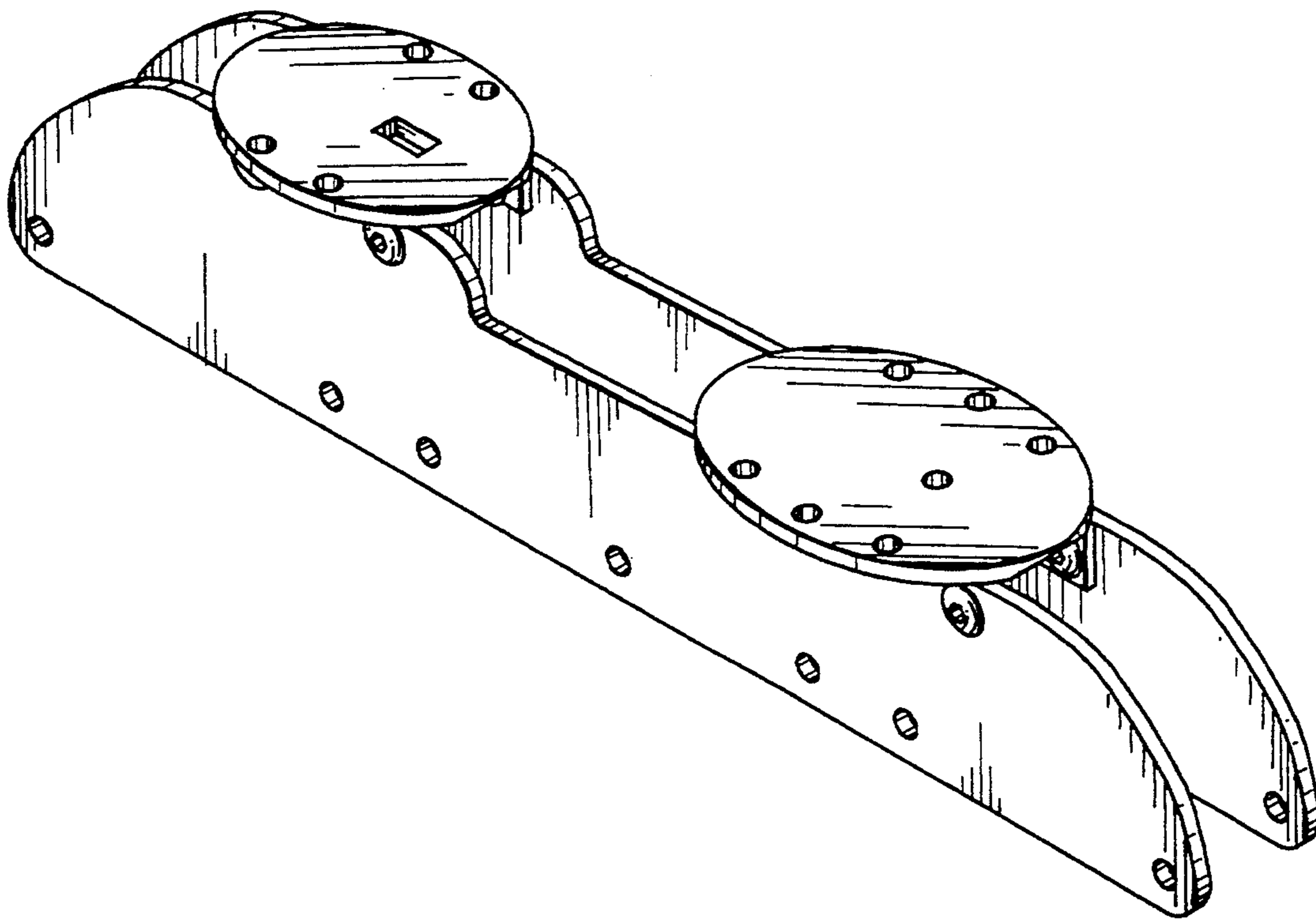
Primary Examiner—Bernard Ansher
Assistant Examiner—R. Barkai
Attorney, Agent, or Firm—Christensen, O'Connor, Johnson & Kindness

[57] CLAIM

The ornamental design for an in-line roller skate frame, as shown and described.

DESCRIPTION

FIG. 1 is a right front perspective view of an in-line roller skate frame showing our new design;
 FIG. 2 is a right side elevational view thereof, the side opposite being a mirror image;
 FIG. 3 is a top plan view thereof;
 FIG. 4 is a bottom plan view thereof;
 FIG. 5 is a rear elevational view thereof; and,
 FIG. 6 is a front elevational view thereof.
 The broken line showing of the boot and wheels in FIG. 2 is for illustrative purposes only and forms no part of the claimed design.



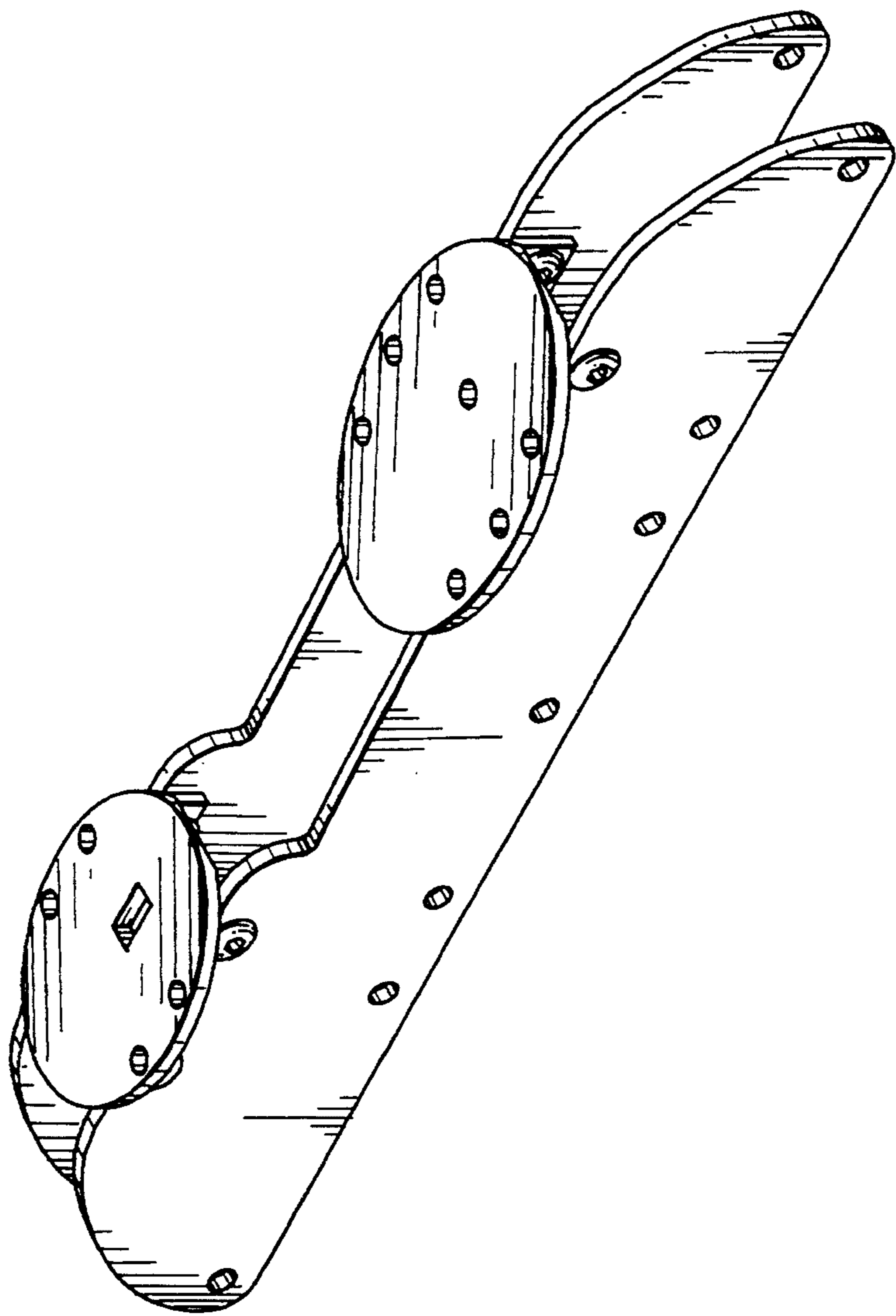


FIG. 1.

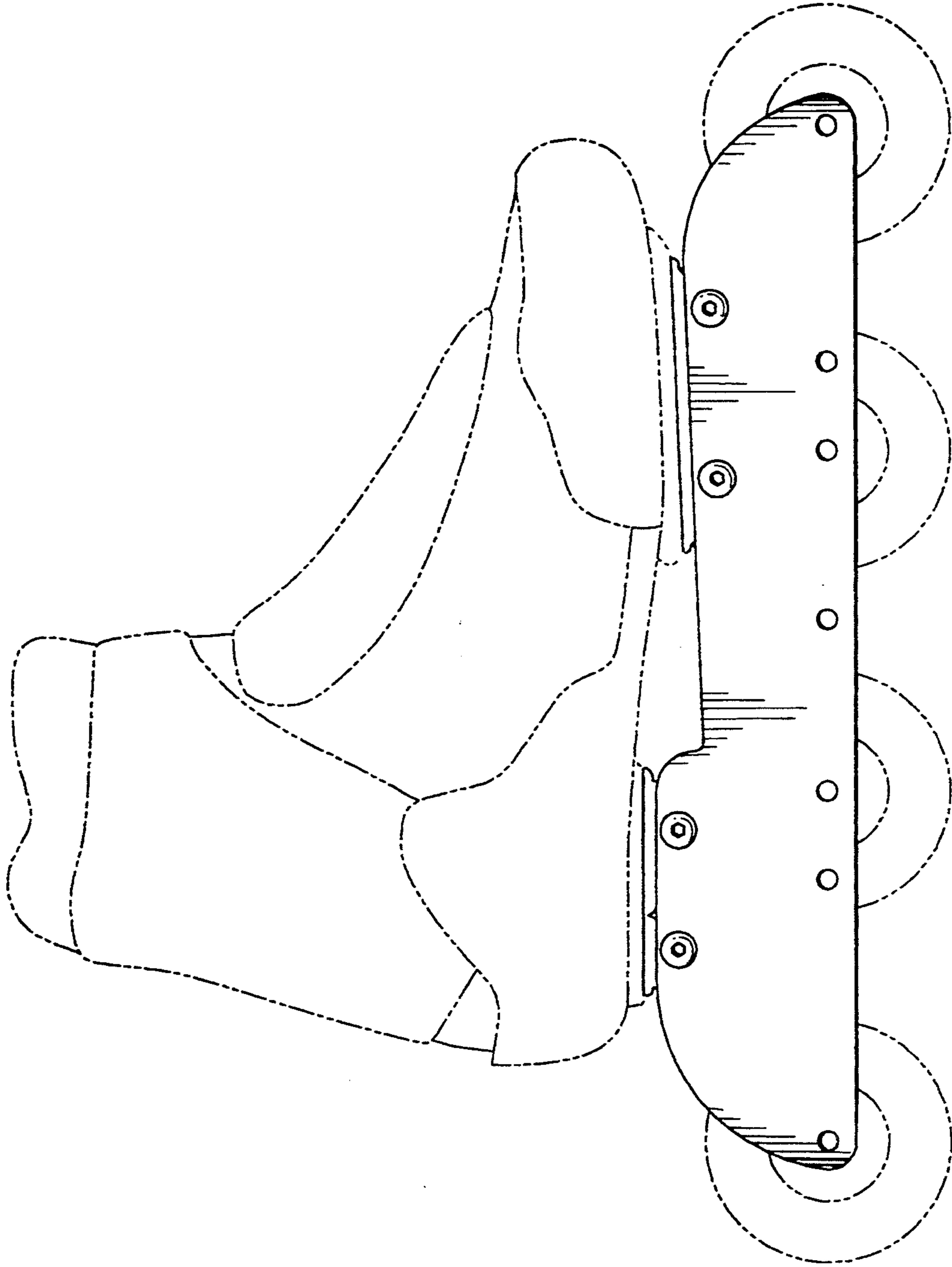


FIG. 2.

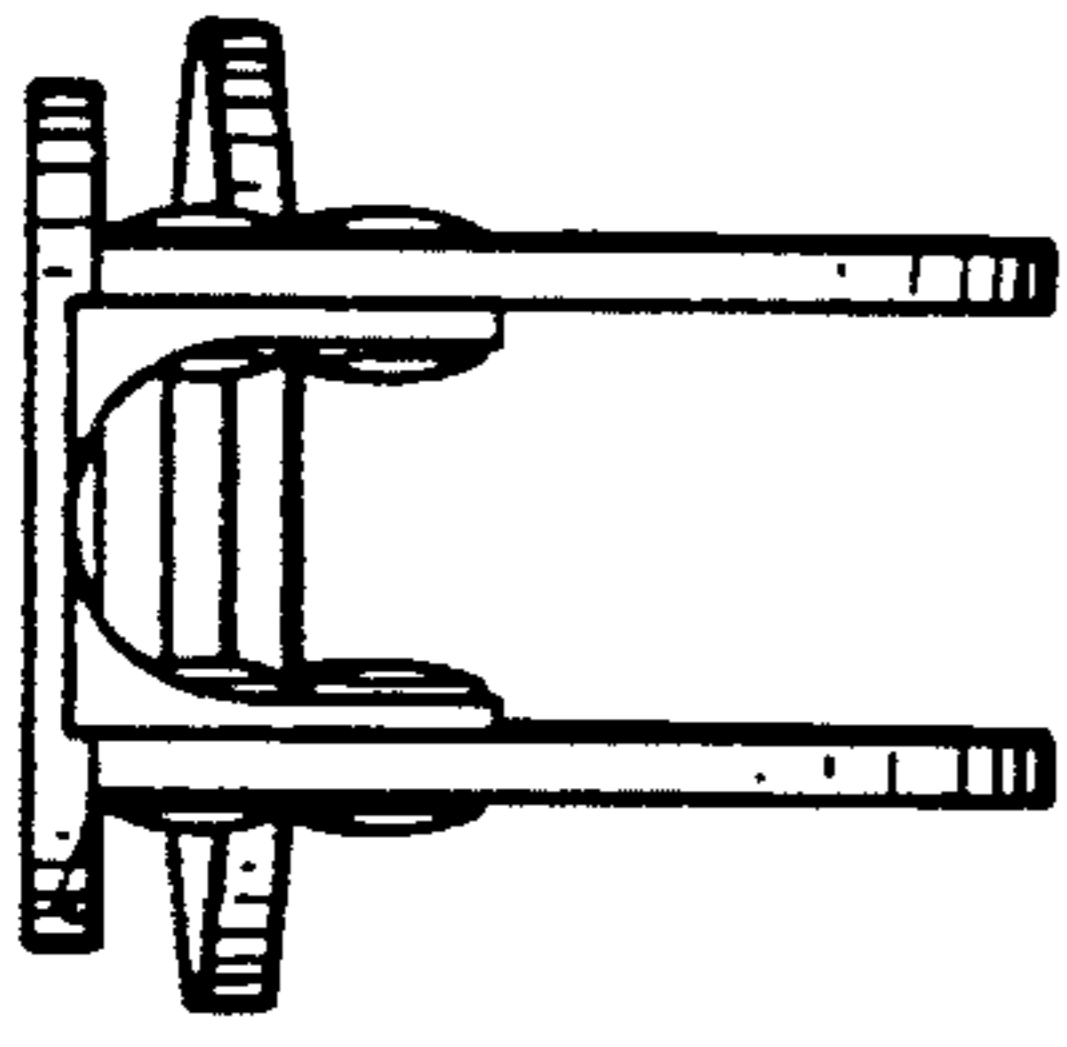


FIG. 5.

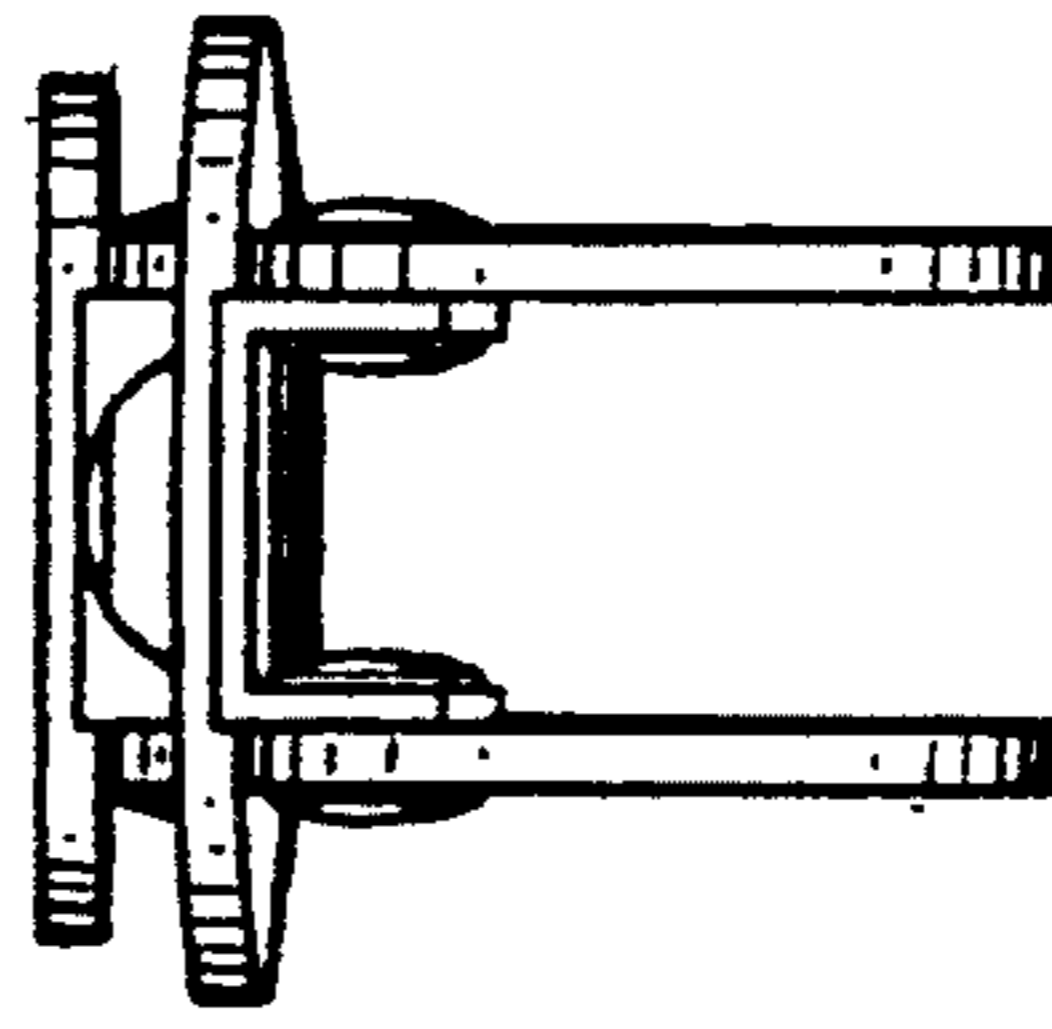


FIG. 6.

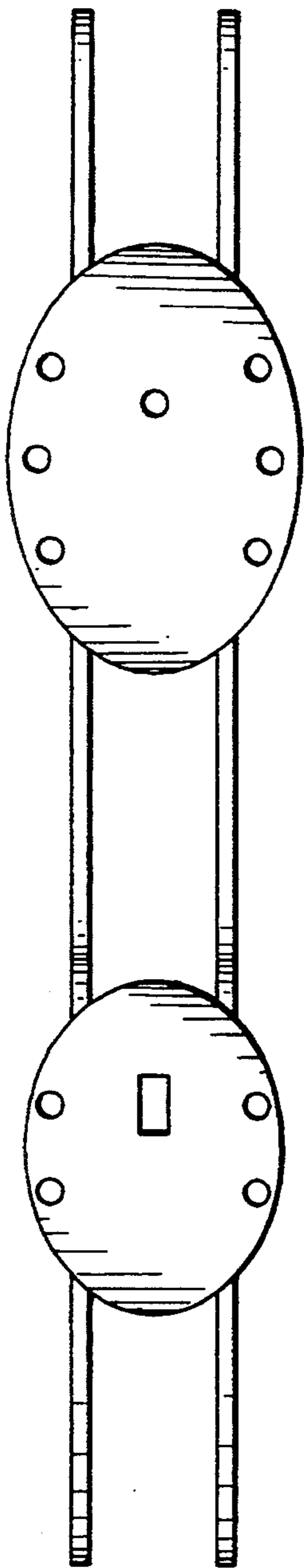


FIG. 3.

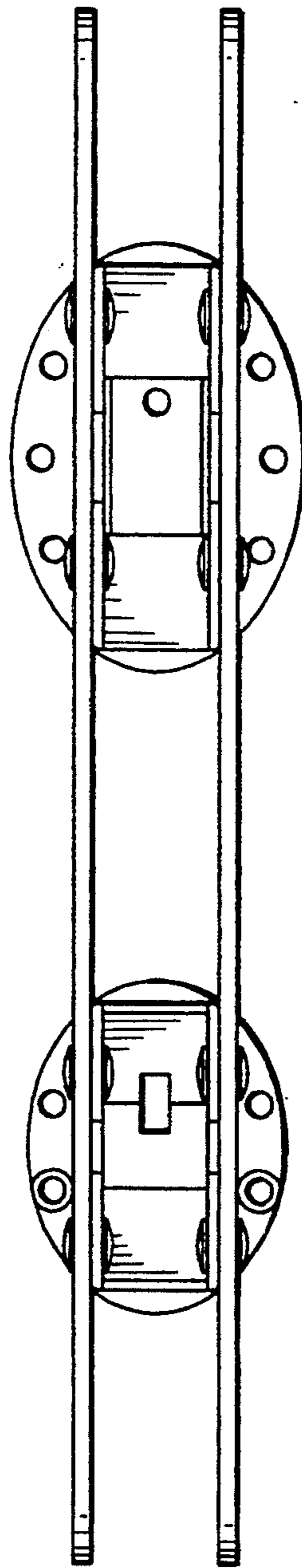


FIG. 4.