



US00D354536S

United States Patent [19]
Hazelton

[11] **Patent Number: Des. 354,536**
[45] **Date of Patent: ** Jan. 17, 1995**

[54] **GOLF PUTTER**

[76] **Inventor: Bruce A. Hazelton, 1111 Rosedale Ave., Fort Pierce, Fla. 34982**

[**] **Term: 14 Years**

[21] **Appl. No.: 9,556**

[22] **Filed: Jun. 18, 1993**

[52] **U.S. Cl. D21/219**

[58] **Field of Search D21/214-220;
273/163 R, 164.1, 167-175**

[56] **References Cited**

U.S. PATENT DOCUMENTS

- D. 233,535 11/1974 Karban .
- D. 239,637 4/1976 Loggins D21/217
- D. 245,439 8/1977 Thiel .
- D. 271,604 11/1983 Stone et al. D21/217
- D. 336,321 6/1993 Gerritzeu D21/219
- 1,327,171 1/1920 Ruggles .
- 3,273,891 9/1966 Grim, Jr. .
- 3,810,633 5/1974 Scott, III .
- 4,413,824 11/1983 King et al. .
- 5,052,690 10/1991 Sharp .
- 5,071,129 12/1991 Wilson 273/163 R

FOREIGN PATENT DOCUMENTS

632841 12/1961 Canada .

Primary Examiner—Melvin B. Feifer

Attorney, Agent, or Firm—Richard C. Litman

[57] **CLAIM**

The ornamental design for a golf putter, as shown and described.

DESCRIPTION

FIG. 1 is a front elevational view of a first embodiment of a golf putter showing my new design;
 FIG. 2 is a rear elevational view thereof;
 FIG. 3 is a left side elevational view thereof;
 FIG. 4 is a right side elevational view thereof;
 FIG. 5 is a top view thereof common to the first and a second embodiment;
 FIG. 6 is a front elevational view of the second embodiment thereof;
 FIG. 7 is a rear elevational view thereof;
 FIG. 8 is a left side elevational view thereof; and,
 FIG. 9 is a right side elevational view thereof.
 The bottom is flat and unornamented. The shaft is shown fragmented for ease of illustration.

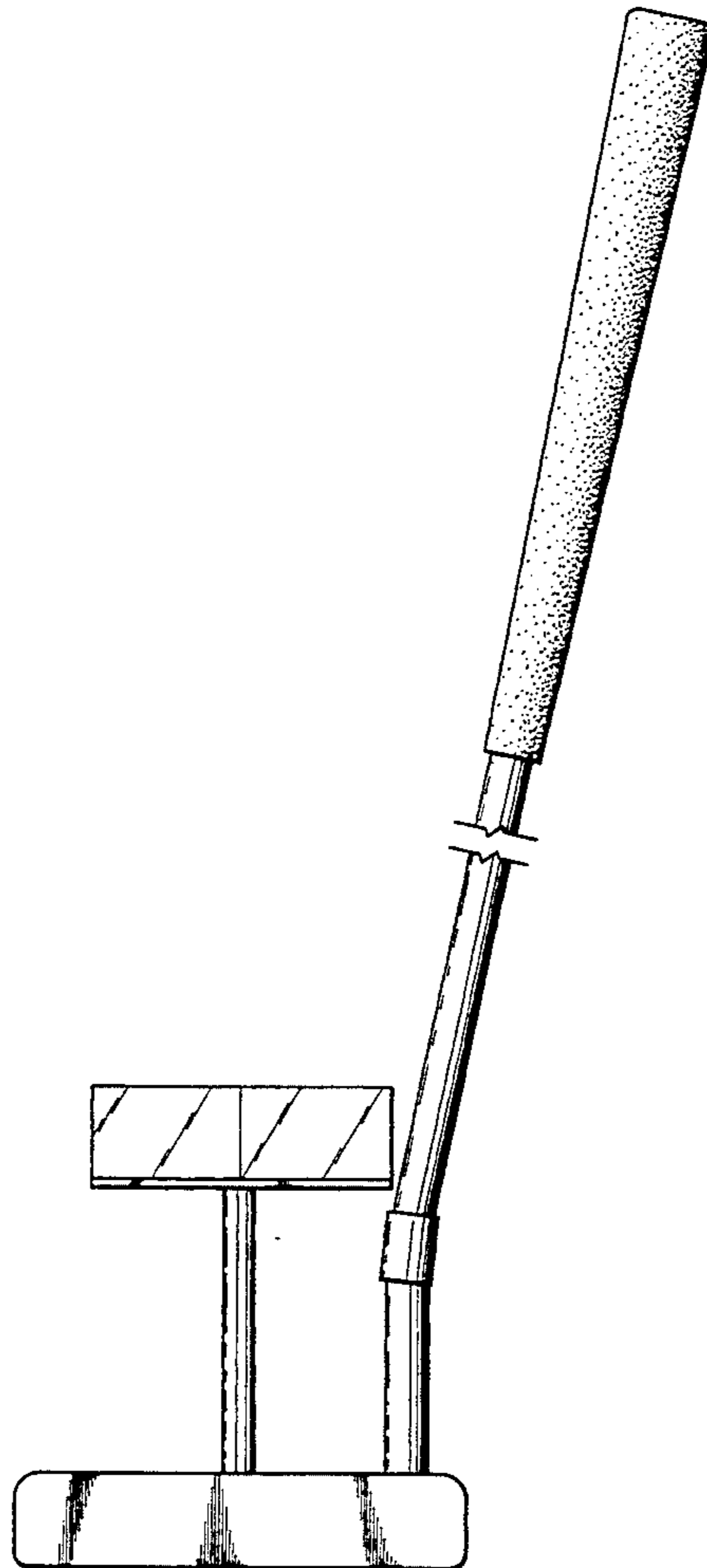
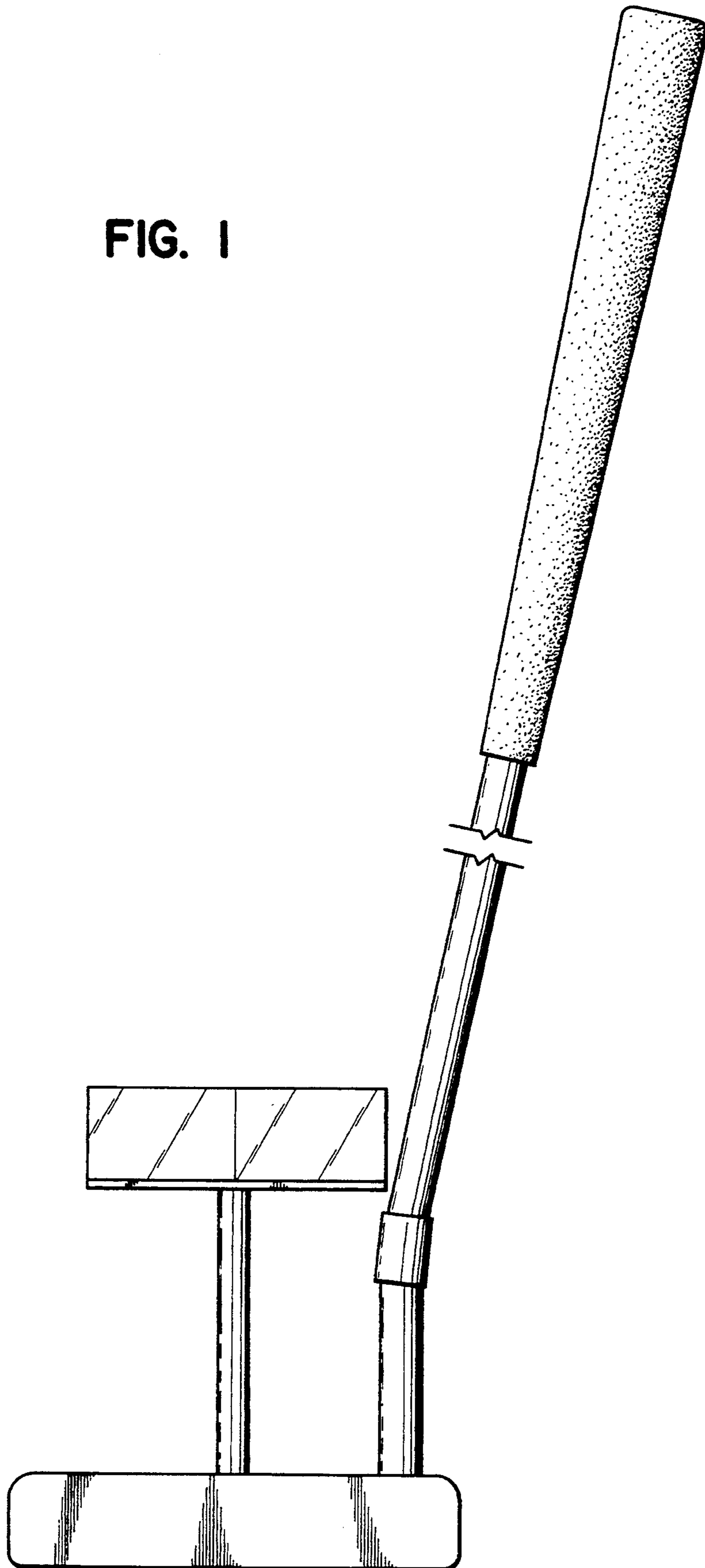


FIG. 1



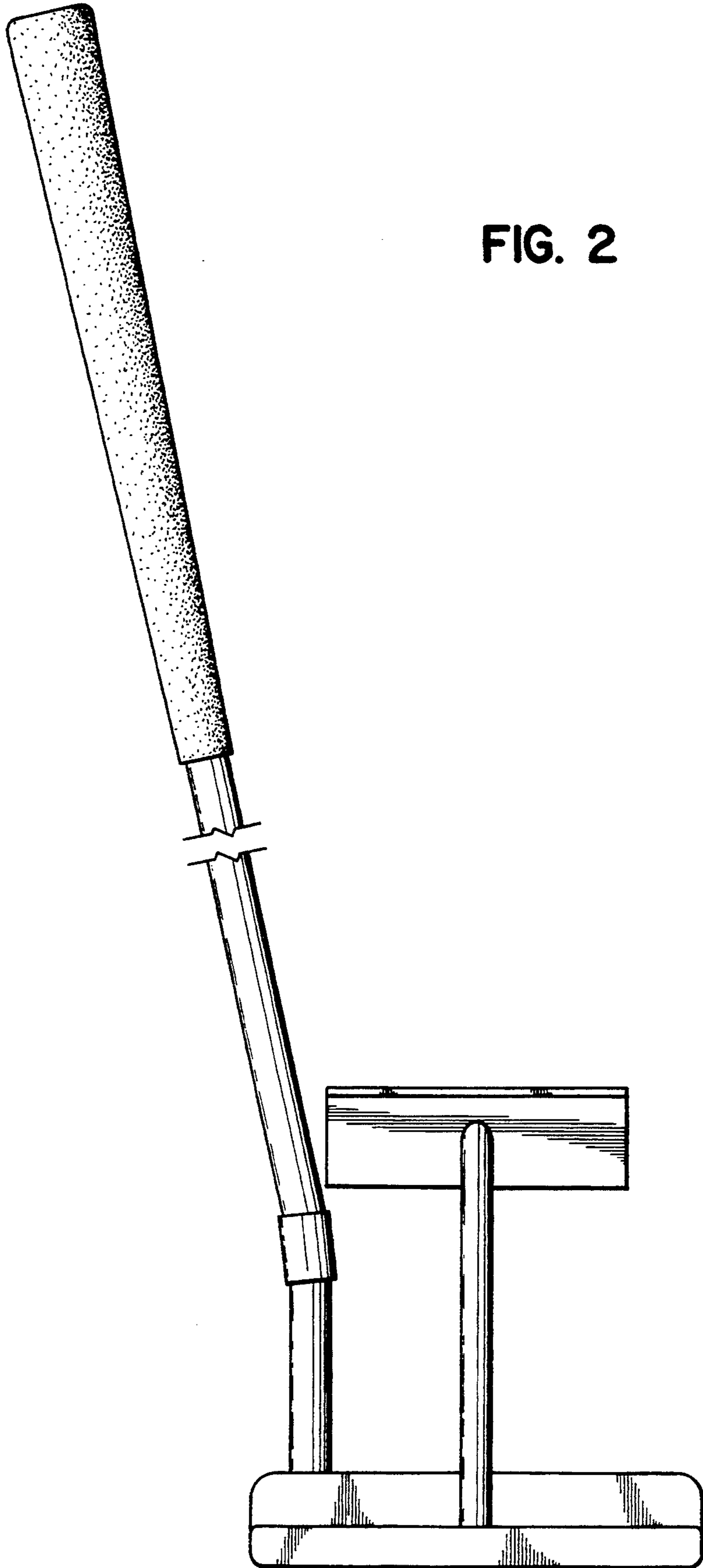


FIG. 2

FIG. 3

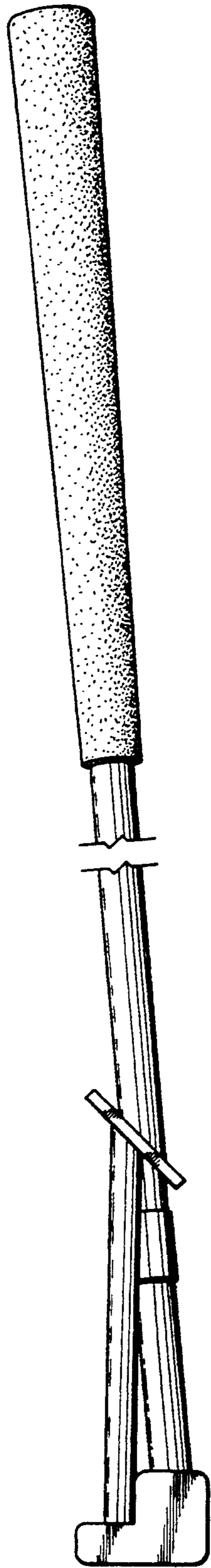


FIG. 4

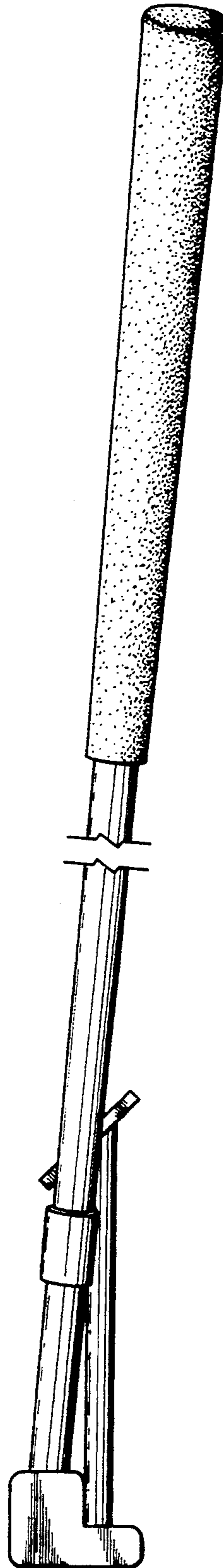


FIG. 5

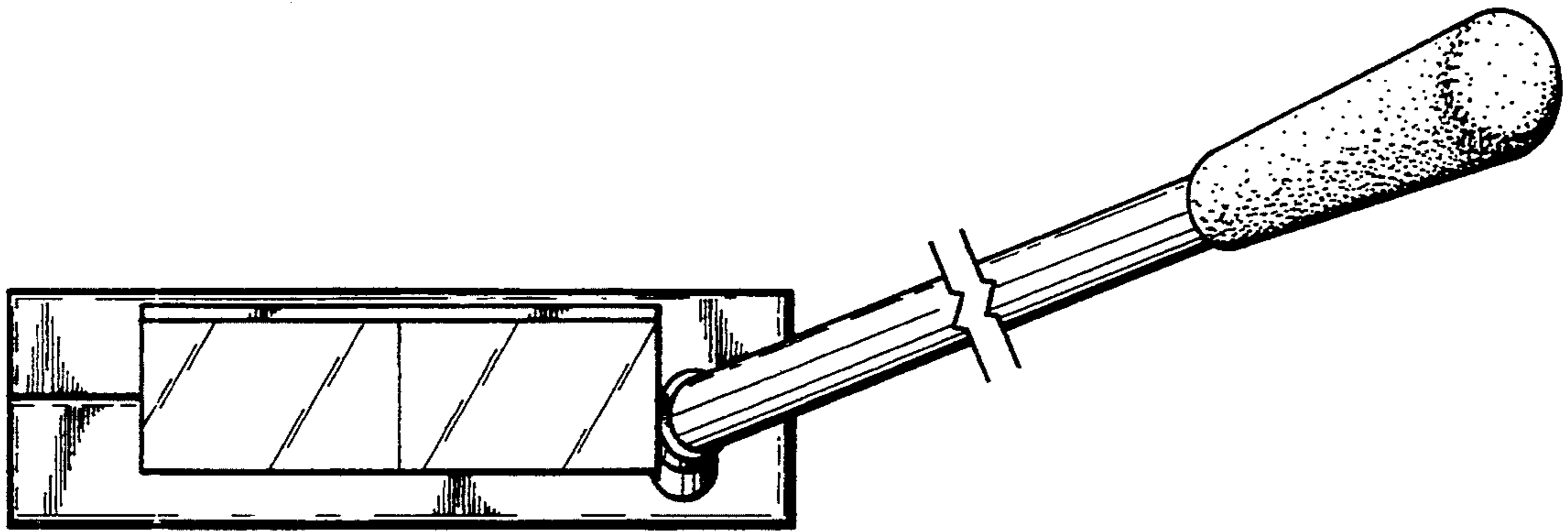
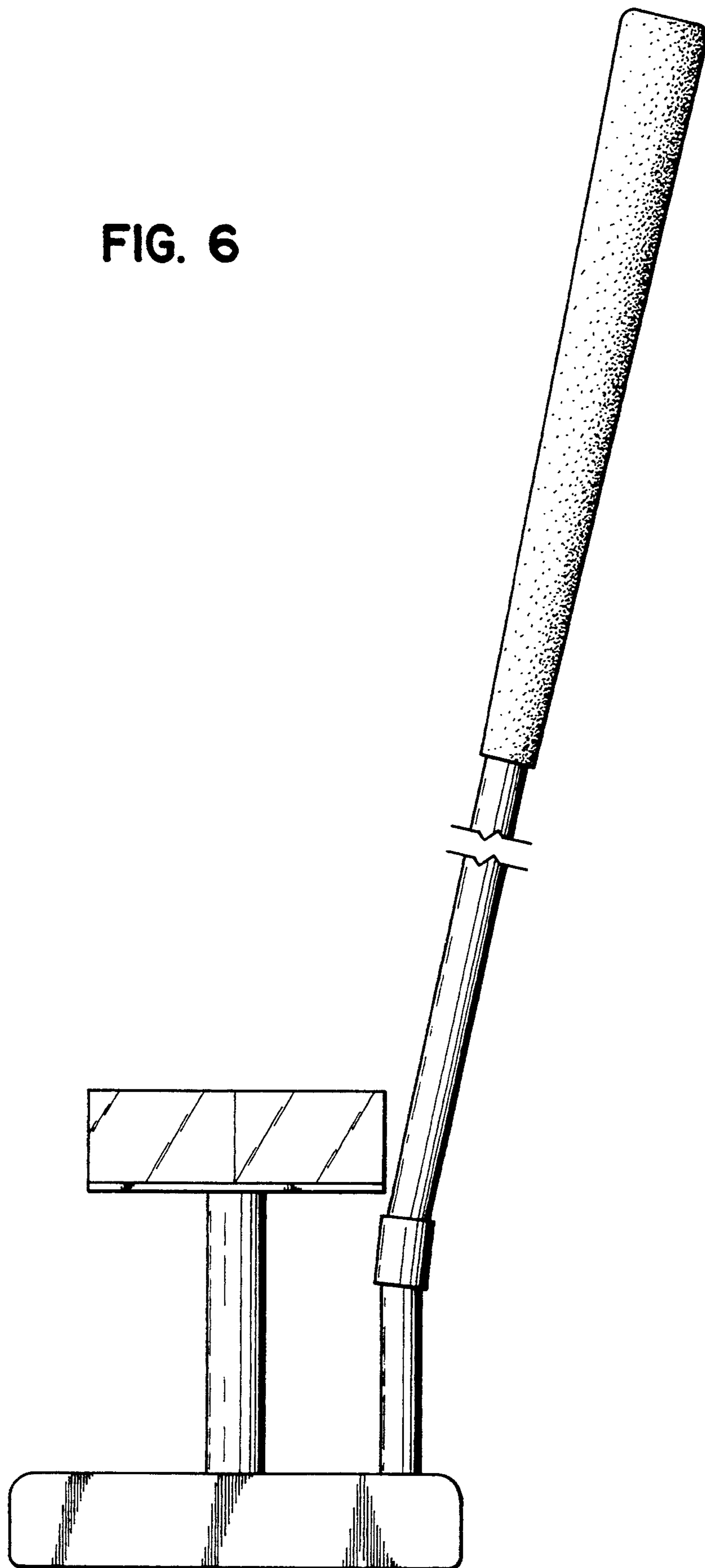


FIG. 6



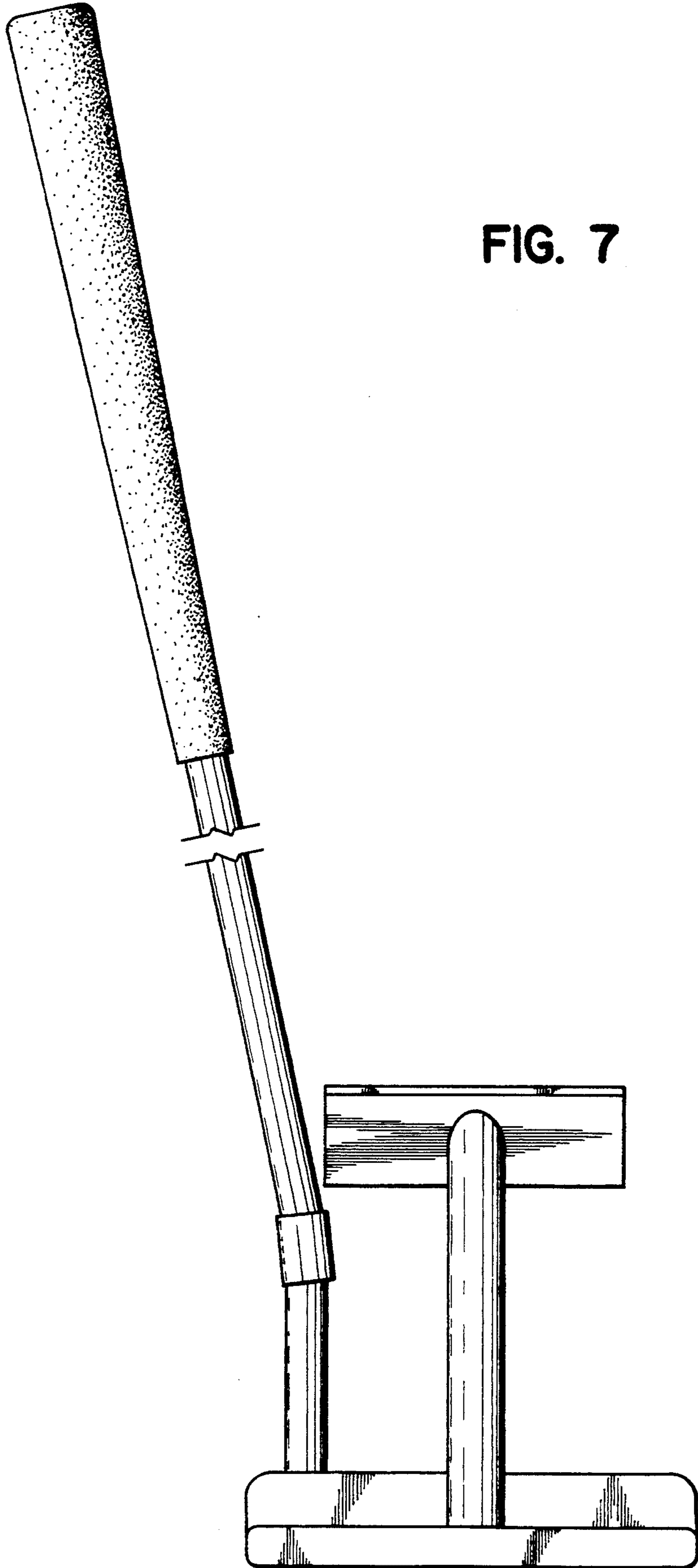


FIG. 8

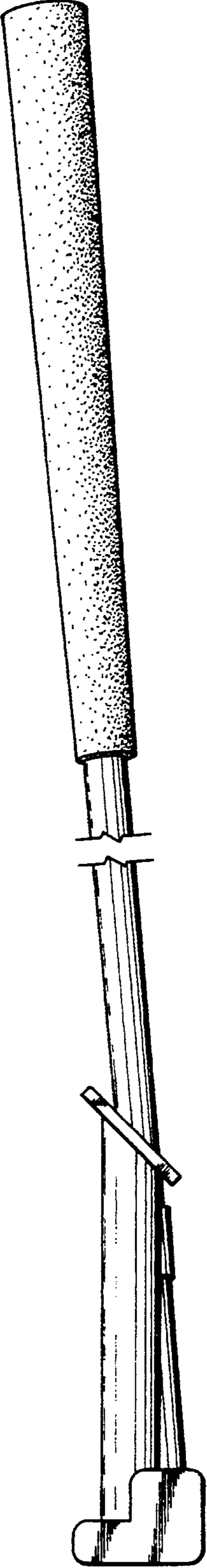


FIG. 9

