



US00D354535S

# United States Patent [19] Queen

[11] Patent Number: **Des. 354,535**

[45] Date of Patent: **\*\* Jan. 17, 1995**

[54] **GOLF PUTTER HEAD**

[76] Inventor: **Theodore M. Queen**, 508 Lakeside Rd., Hot Springs, Ark. 71901

[\*\*] Term: **14 Years**

[21] Appl. No.: **5,560**

[22] Filed: **Mar. 5, 1993**

[52] U.S. Cl. .... **D21/219**

[58] Field of Search ..... **D21/214-220;  
273/167-175**

[56] **References Cited**

**U.S. PATENT DOCUMENTS**

4,895,371 1/1990 Bushner ..... 273/171

**OTHER PUBLICATIONS**

Dupont Magazine, Jul./Aug., 1981, p. 1, bottom, putter.

*Primary Examiner*—Melvin B. Feifer  
*Attorney, Agent, or Firm*—Stephen D. Carver; Trent C. Keisling

[57] **CLAIM**

The ornamental design for a golf putter head, as shown and described.

**DESCRIPTION**

FIG. 1 is a frontal perspective view of my new golf putter head showing my new design, with a portion of the shaft shown in dashed lines for illustrative purposes; FIG. 2 is a rear perspective view thereof; FIG. 3 is a top plan view thereof; FIG. 4 is a rear elevational view thereof; FIG. 5 is a front elevational view thereof; FIG. 6 is a left end elevational view thereof; FIG. 7 is a right end elevational view thereof; and, FIG. 8 is a bottom plan view thereof.

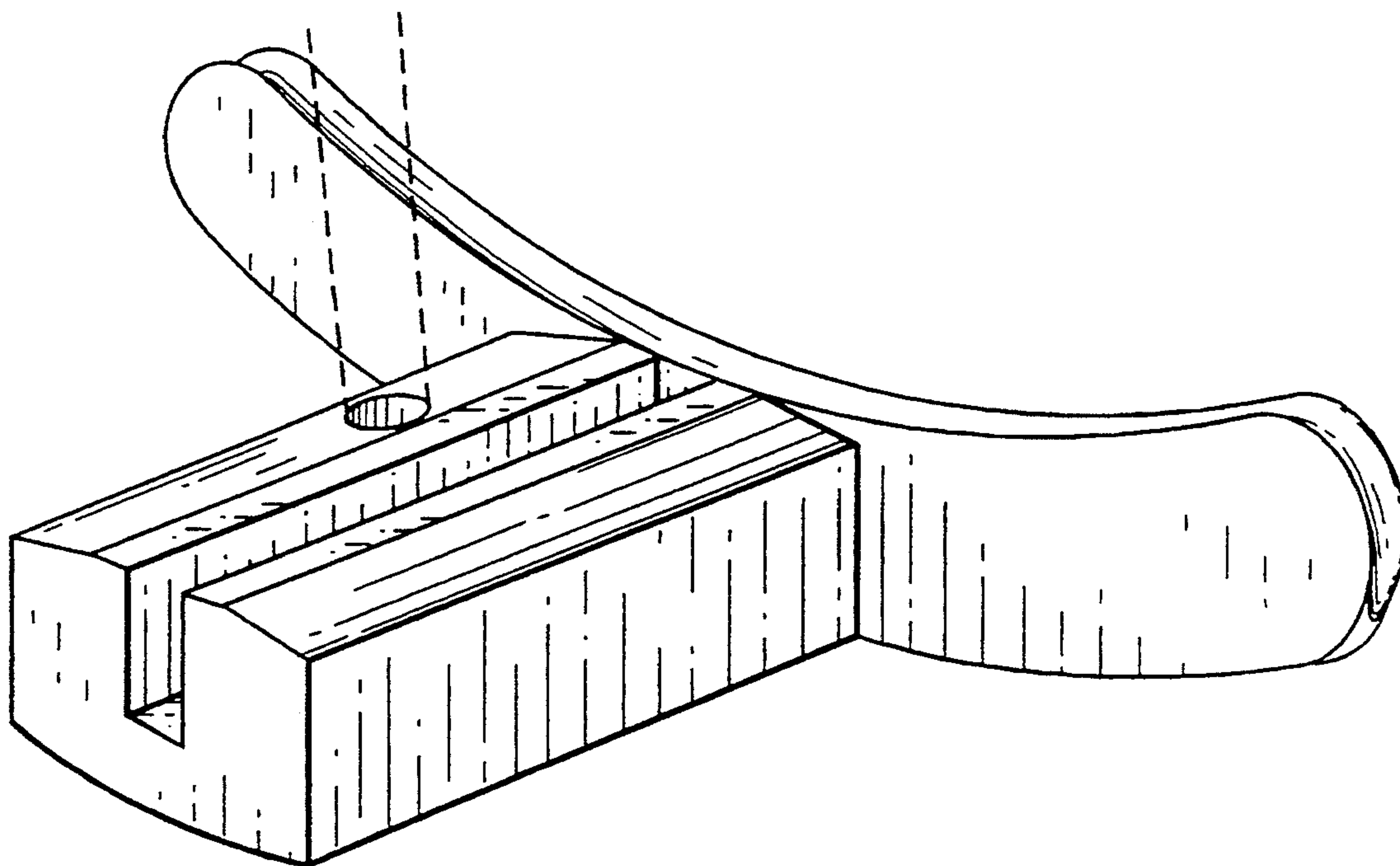


FIG. 1

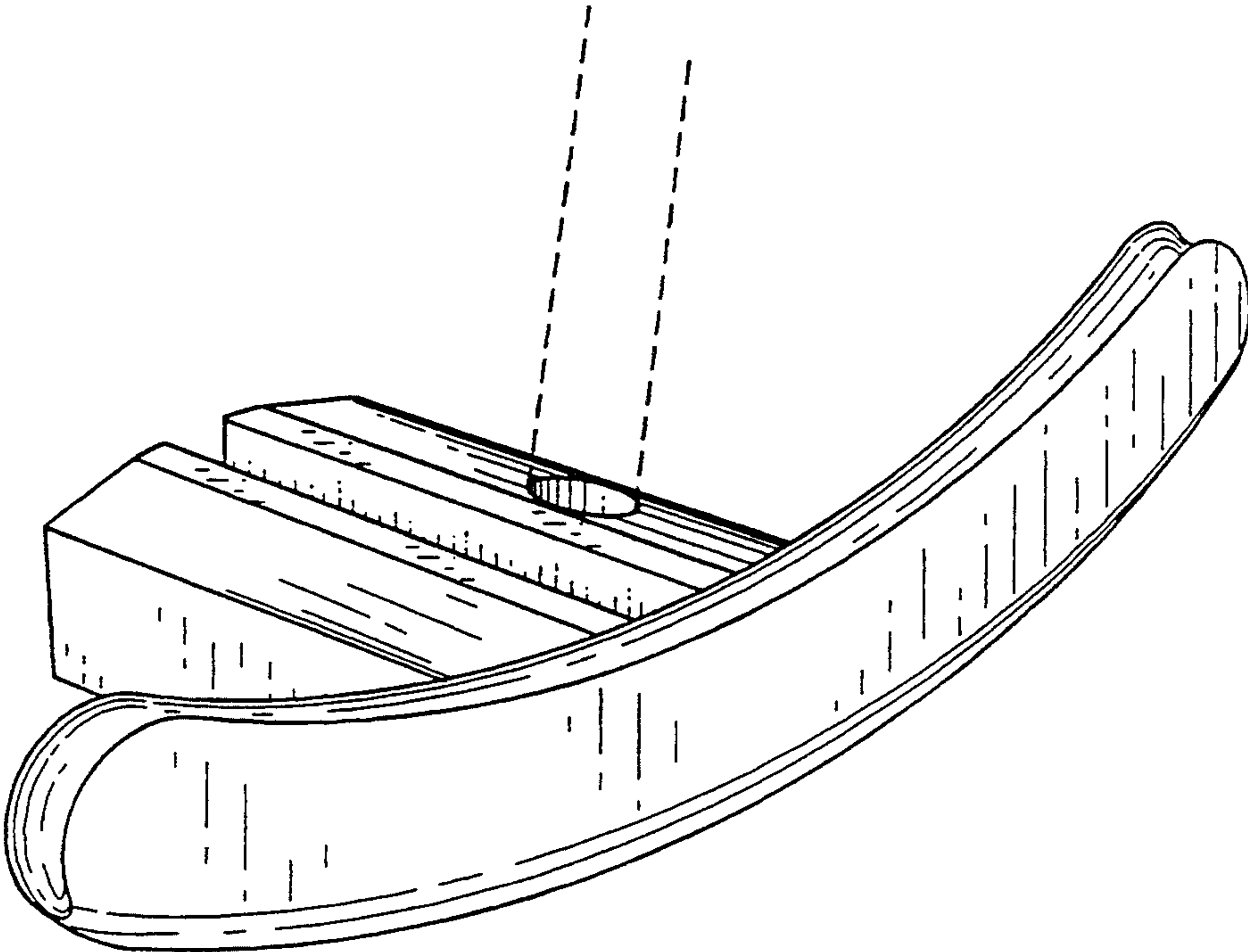


FIG. 2

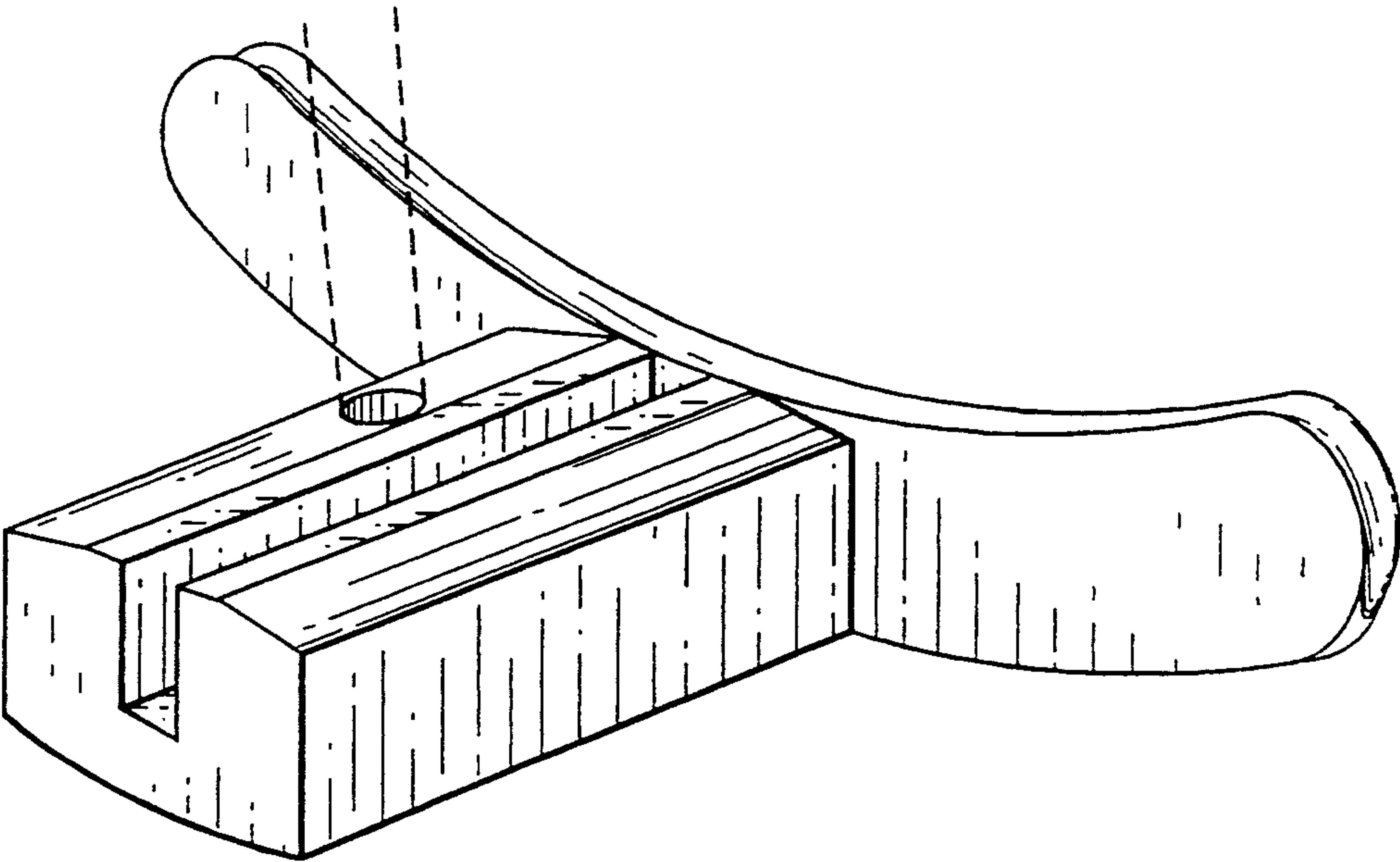


FIG. 3

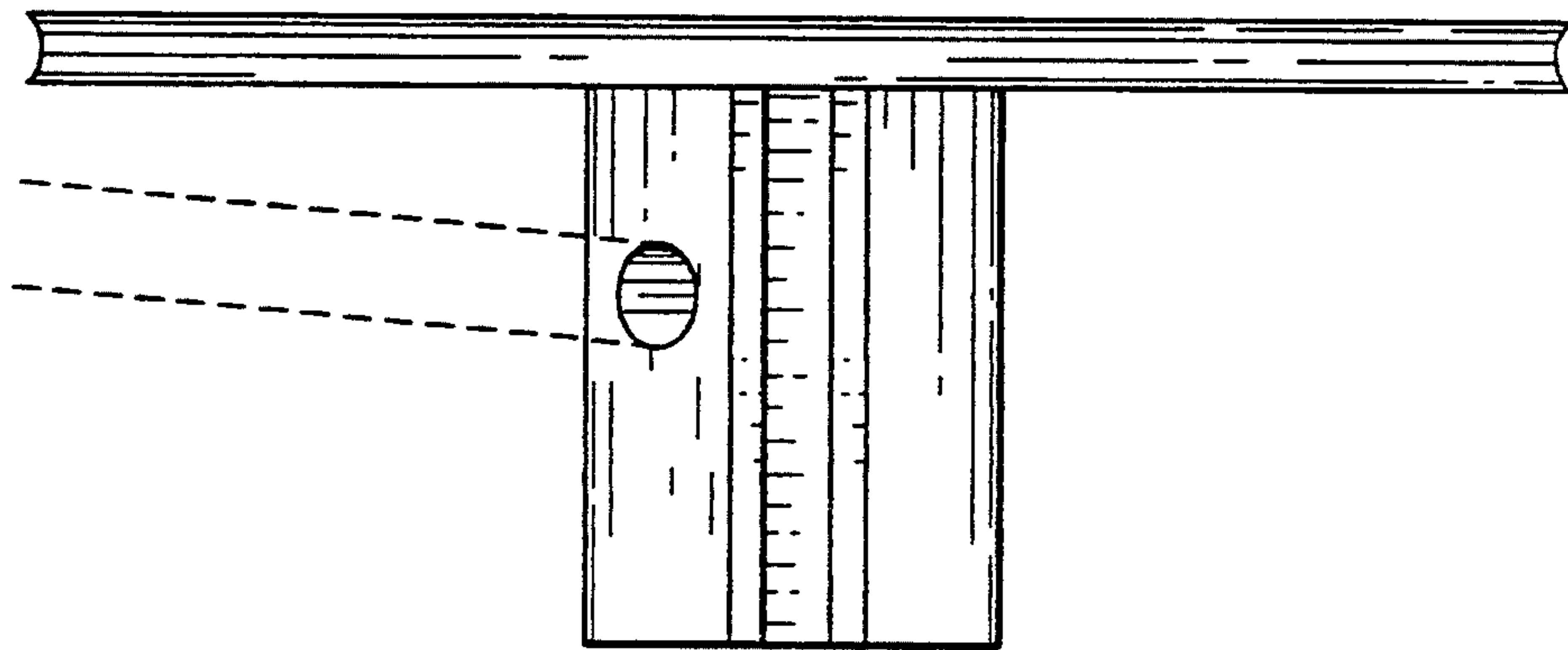


FIG. 4

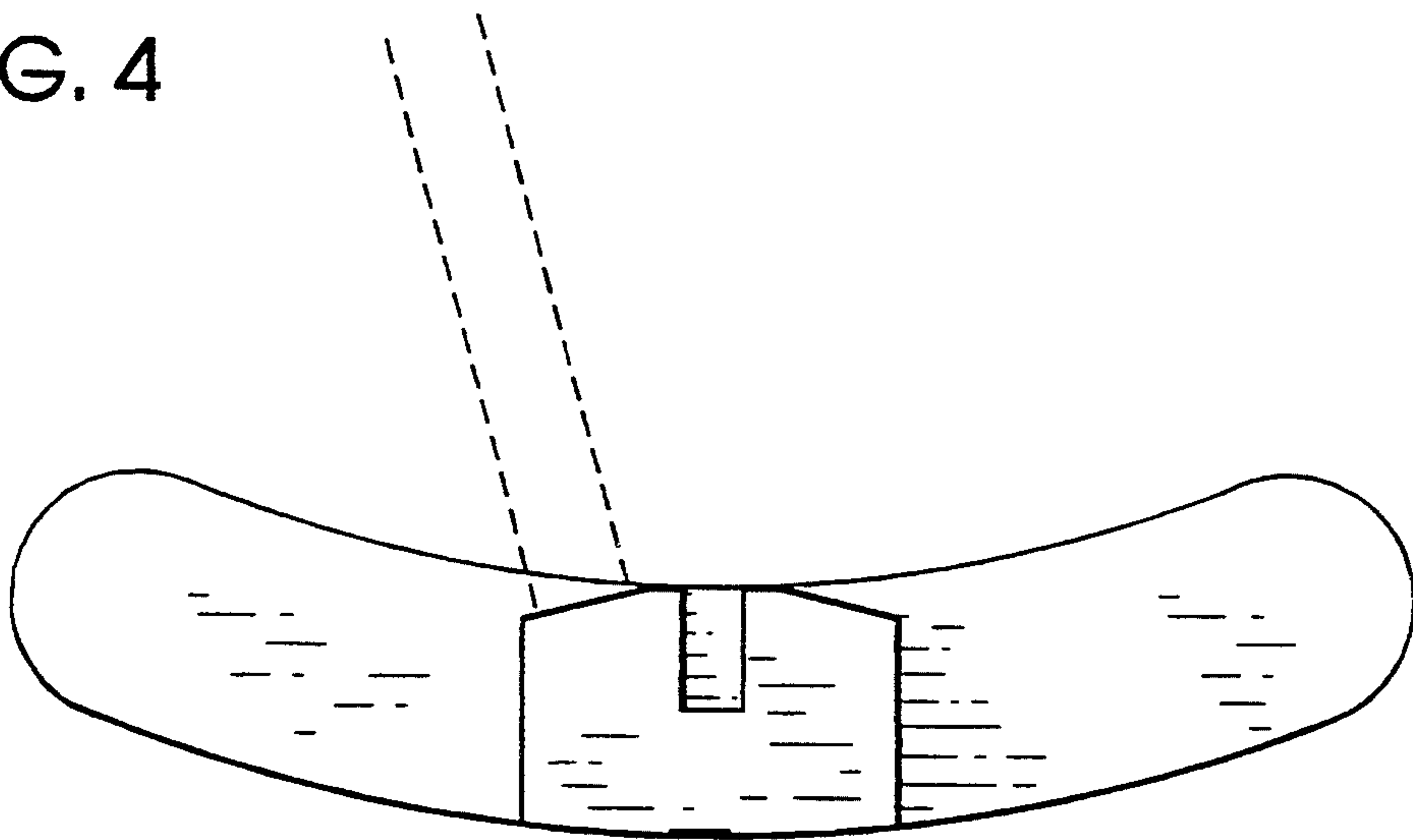


FIG. 5

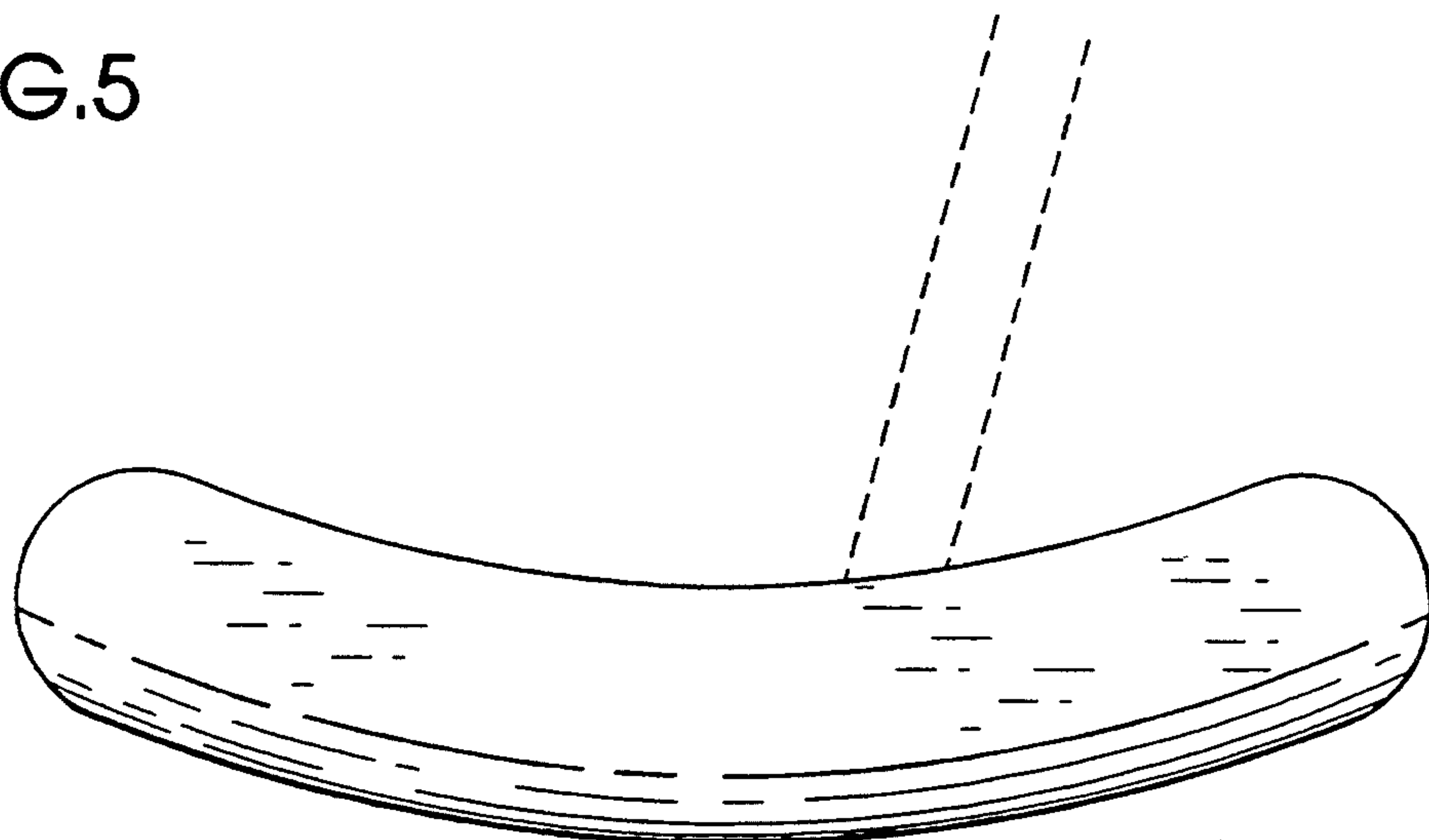


FIG. 6

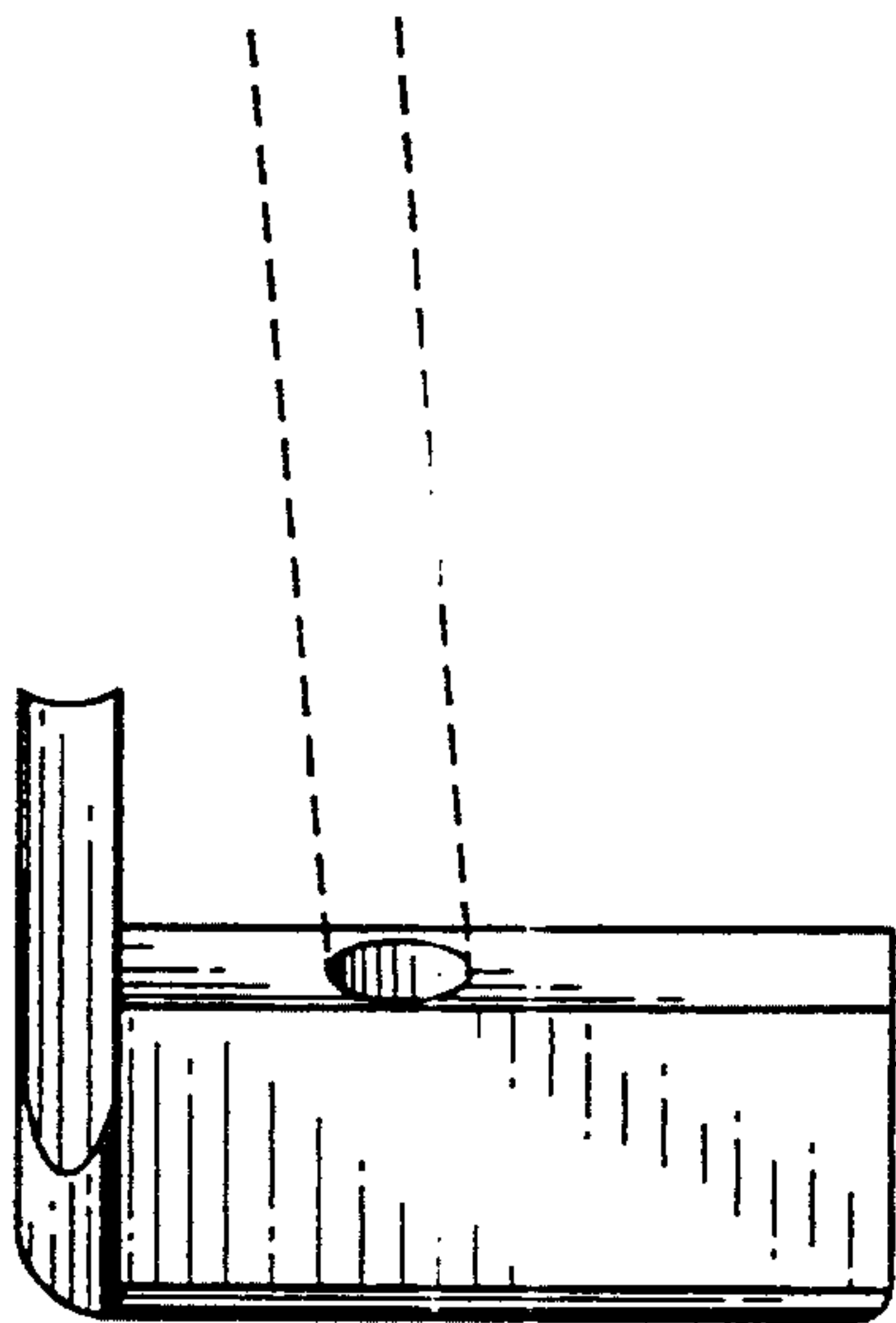


FIG. 7

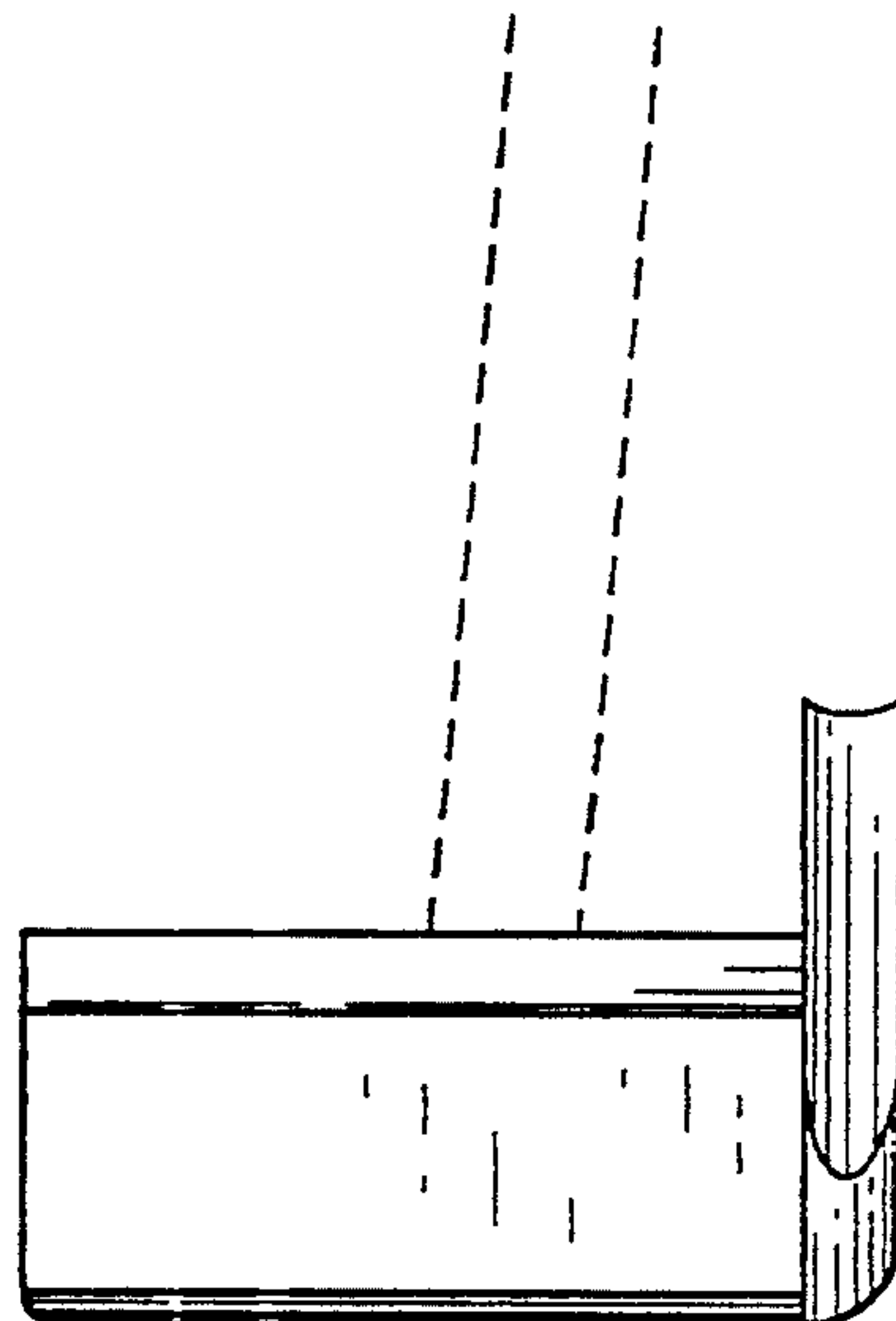


FIG. 8

