



US00D354534S

United States Patent [19]

Michalik

[11] Patent Number: **Des. 354,534**

[45] Date of Patent: **** Jan. 17, 1995**

[54] **BASKETBALL HOOP DRAPE**

[76] Inventor: **James Michalik**, 1888 Sycamore, Des Plaines, Ill. 60018

[**] Term: **14 Years**

[21] Appl. No.: **11,323**

[22] Filed: **Aug. 2, 1993**

[52] U.S. Cl. **D21/201; D32/37**

[58] Field of Search **D21/201; D32/36, 37; 273/1.5 R, 1.5 A**

3,814,359 6/1974 Powell 273/1.5 R X
 5,123,642 6/1992 Stokes 273/1.5 R

Primary Examiner—Melvin B. Feifer
Assistant Examiner—Cheri Cohen
Attorney, Agent, or Firm—Olson & Hierl, Ltd.

[57] CLAIM

The ornamental design for a basketball hoop drape, as shown and described.

DESCRIPTION

FIG. 1 is a perspective view of a basketball hoop drape showing my new design;
 FIG. 2 is a side elevation view of FIG. 1;
 FIG. 3 is a top view of FIG. 1; and,
 FIG. 4 is a bottom view of FIG. 1.
 The broken line depiction in the FIGURES of a basketball hoop is for illustrative purposes only, and forms no part of the claimed design.

[56] **References Cited**

U.S. PATENT DOCUMENTS

D. 309,808	8/1990	Phelps et al.	D21/201 X
D. 325,947	5/1992	Cass	D21/201
857,820	6/1907	Mosher	273/1.5 R
1,053,850	2/1913	Milks	273/1.5 R
2,666,641	1/1954	Bonham	273/1.5 R

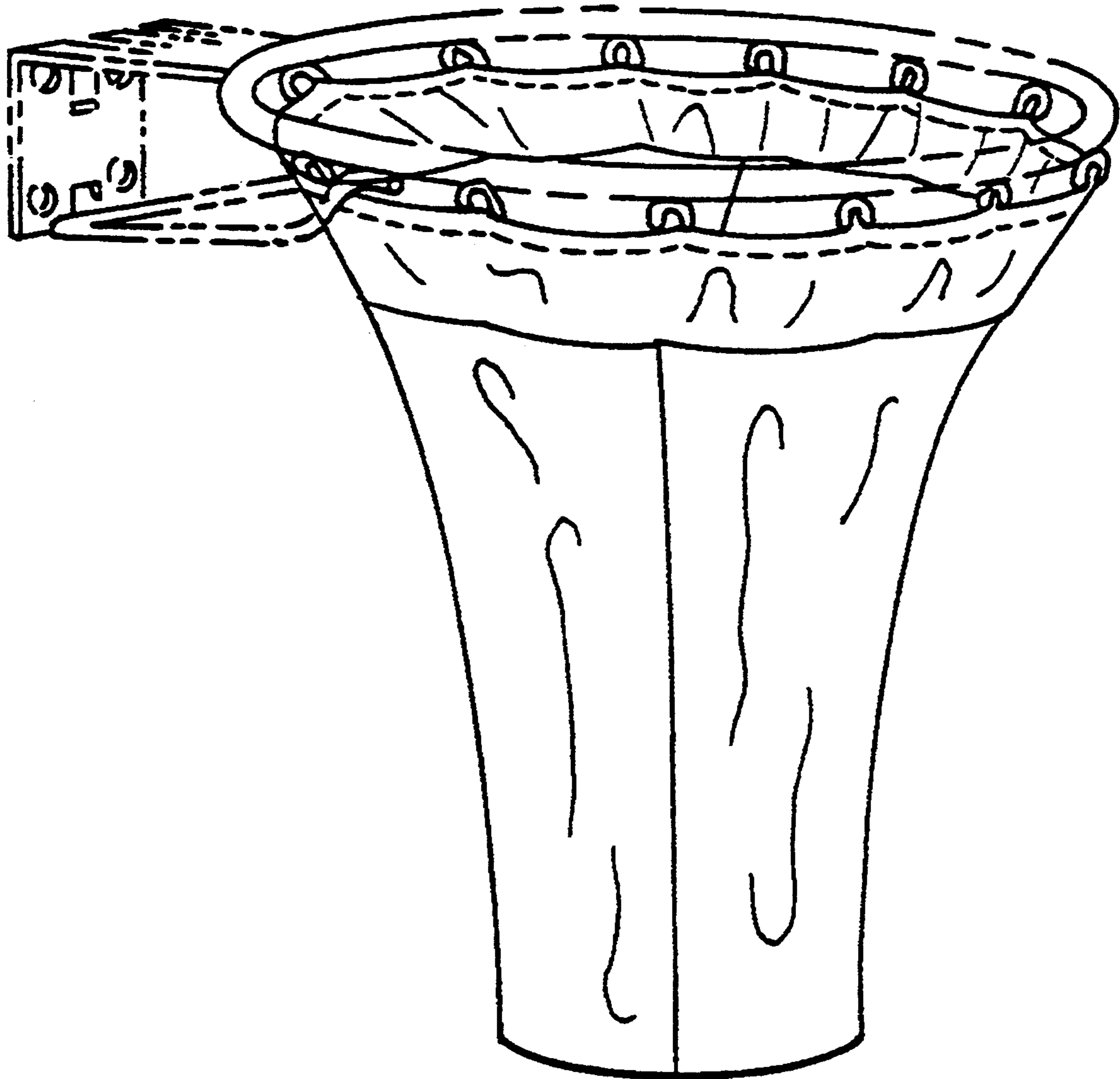


FIG. 1

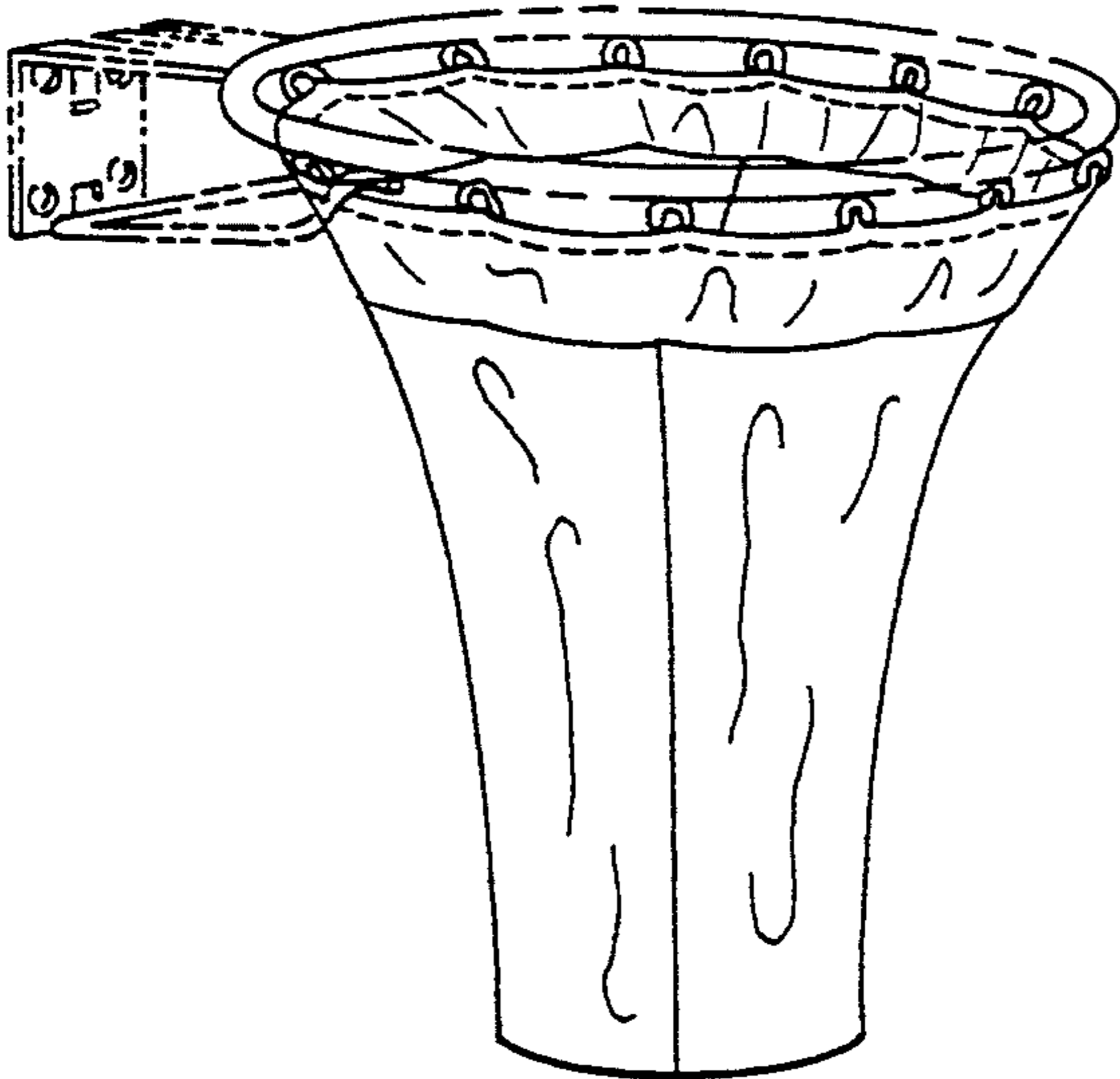


FIG. 2

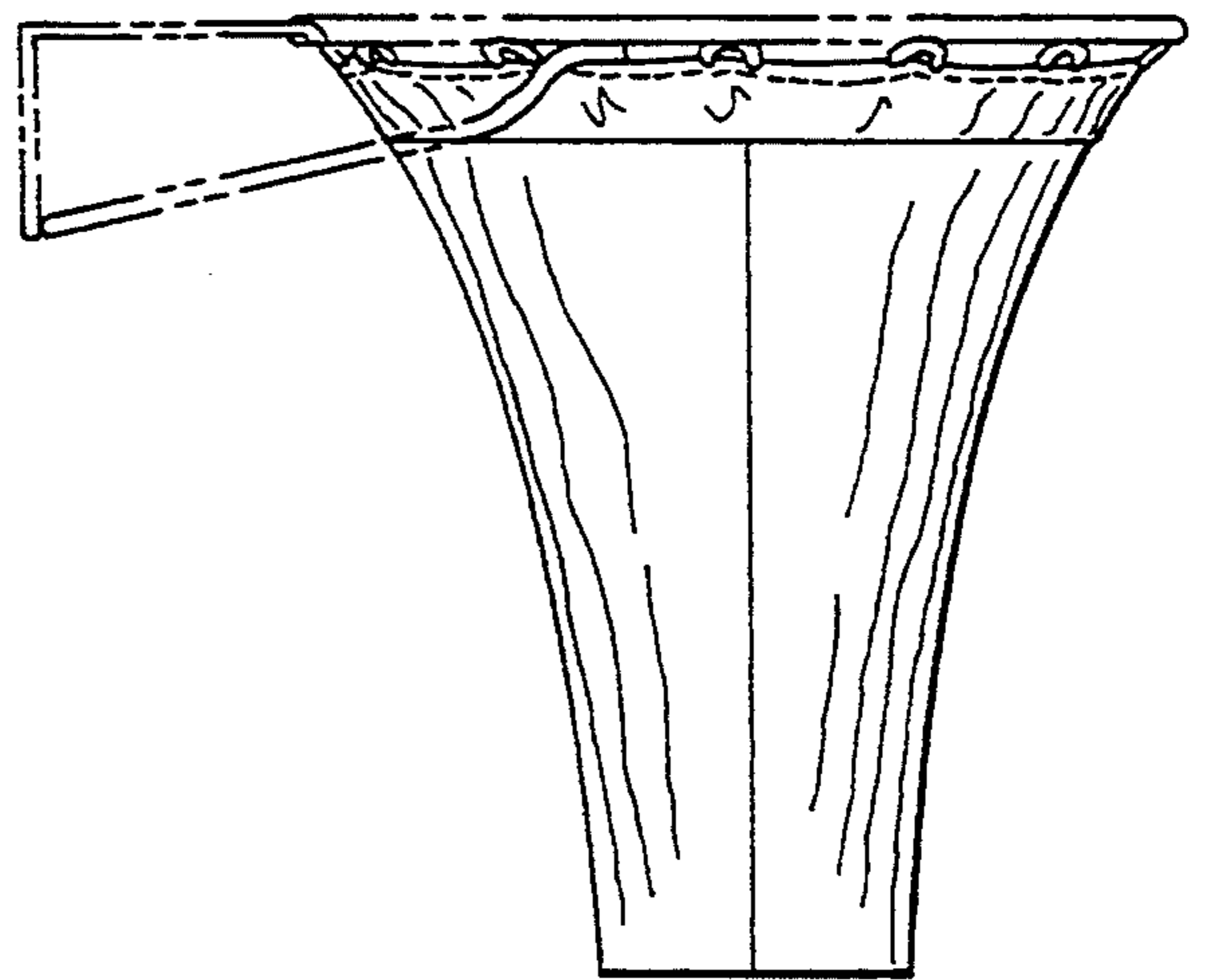


FIG. 3

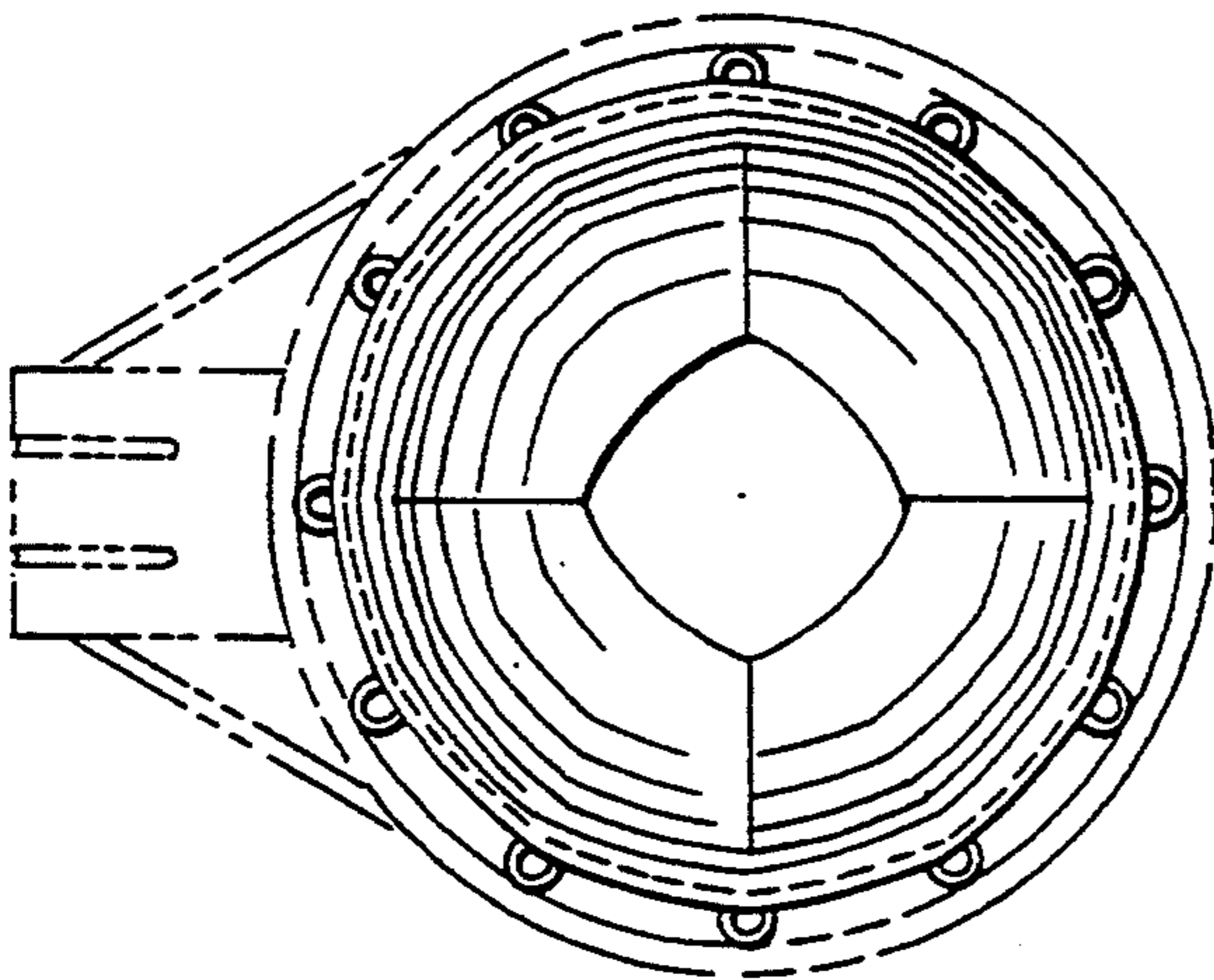


FIG. 4

