



US00D354531S

# United States Patent [19]

[11] Patent Number: **Des. 354,531**

Appel et al.

[45] Date of Patent: **\*\* Jan. 17, 1995**

[54] **COMBINATION KICK BOARD AND WATER GUN**

D. 339,616 9/1993 Flaherty ..... D21/146  
D. 343,202 1/1994 Peersmann ..... D21/13

[75] Inventors: **Mel Appel**, Livingston; **George Kress**, Basking Ridge, both of N.J.

### OTHER PUBLICATIONS

Sunny Park Toy Catalog 1988 p. 1 middle of page.

[73] Assignee: **Mel Appel Limited**, Kowloon, Hong Kong

*Primary Examiner*—Bernard Ansher  
*Assistant Examiner*—R. Barkai  
*Attorney, Agent, or Firm*—Amster Rothstein & Ebenstein

[\*\*] Term: **14 Years**

[21] Appl. No.: **10,622**

### [57] CLAIM

[22] Filed: **Jul. 14, 1993**

The ornamental design for a combination kick board and water gun, as shown and described.

[52] U.S. Cl. .... **D21/146; D21/236**

[58] Field of Search ..... **D21/145-147, D21/236, 237, 13; D22/101, 103-104, 107-108; D23/225, 222, 224; 446/180, 219, 267, 430, 473, 475; 124/25, 56, 71, 81, 83; 273/310-311, 313, 316, 349; 42/54; 362/110-114; 222/78-79**

### DESCRIPTION

FIG. 1 is an isometric view of a combination kick board and water gun;

FIG. 2 is an exploded isometric view thereof, the water gun and kick board are shown separately for clarity of illustration only;

FIG. 3 is a top plan view thereof;

FIG. 4 is a bottom plan view thereof;

FIG. 5 is a left side elevational view thereof;

FIG. 6 is a right side elevational view thereof;

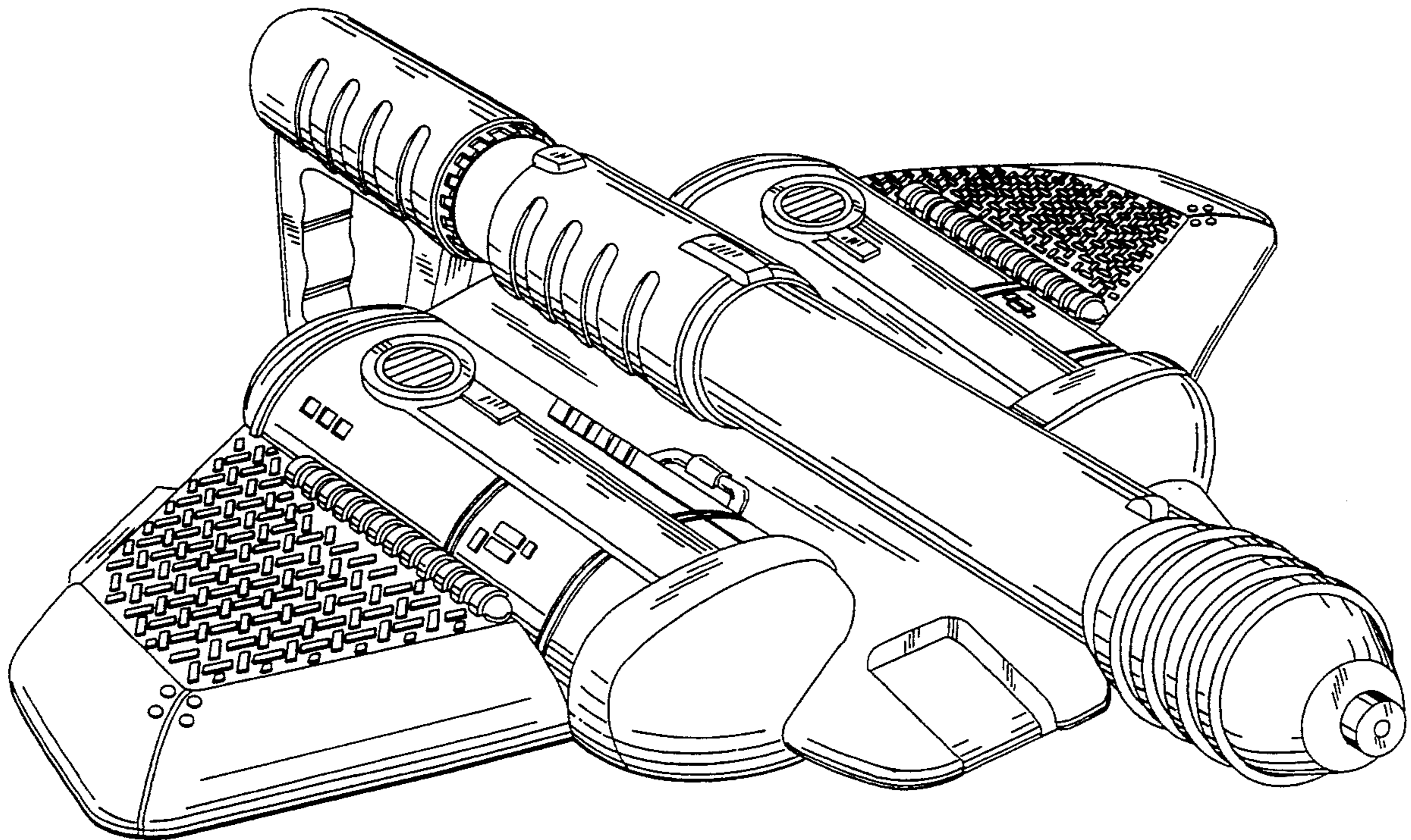
FIG. 7 is a rear elevational view thereof; and,

FIG. 8 is a front elevational view thereof.

### [56] References Cited

#### U.S. PATENT DOCUMENTS

D. 159,040 6/1950 Bicos ..... D21/146  
D. 186,179 9/1959 Parker ..... D21/146  
D. 197,848 3/1964 Parker ..... D21/146  
D. 315,770 3/1991 Shanelec ..... D21/236  
D. 315,771 3/1991 Olson ..... D21/236



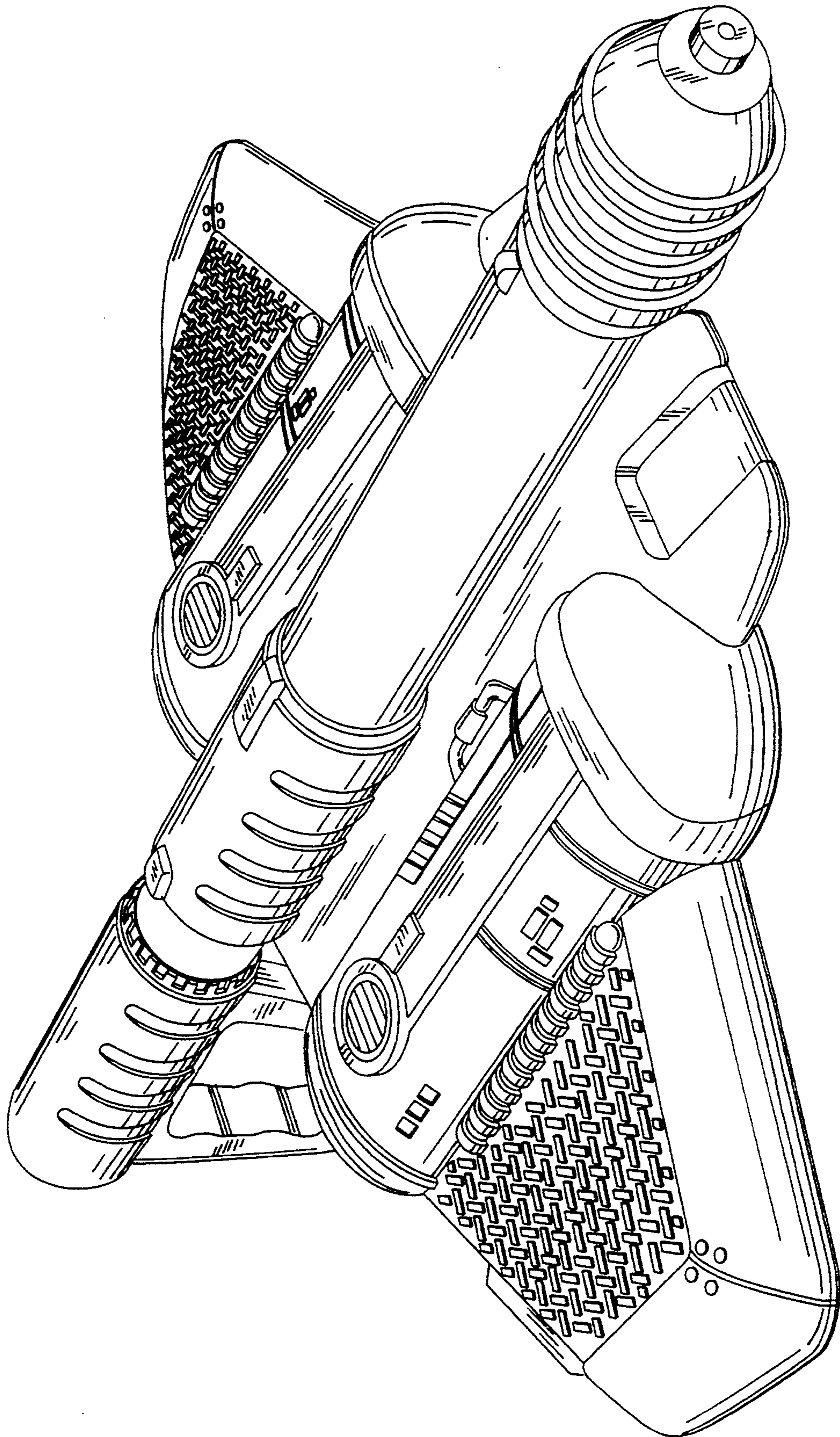


FIG. 1

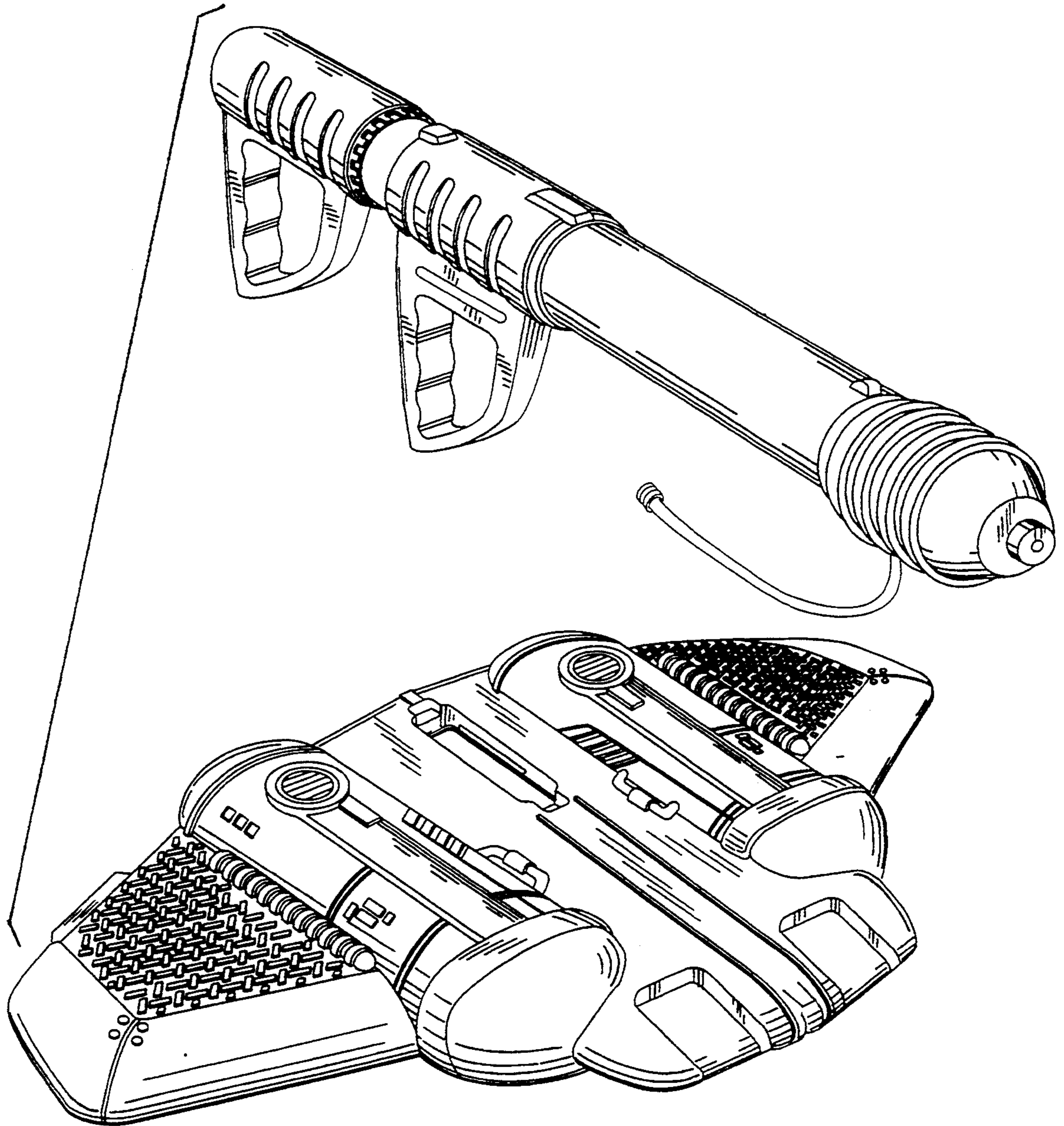


FIG. 2

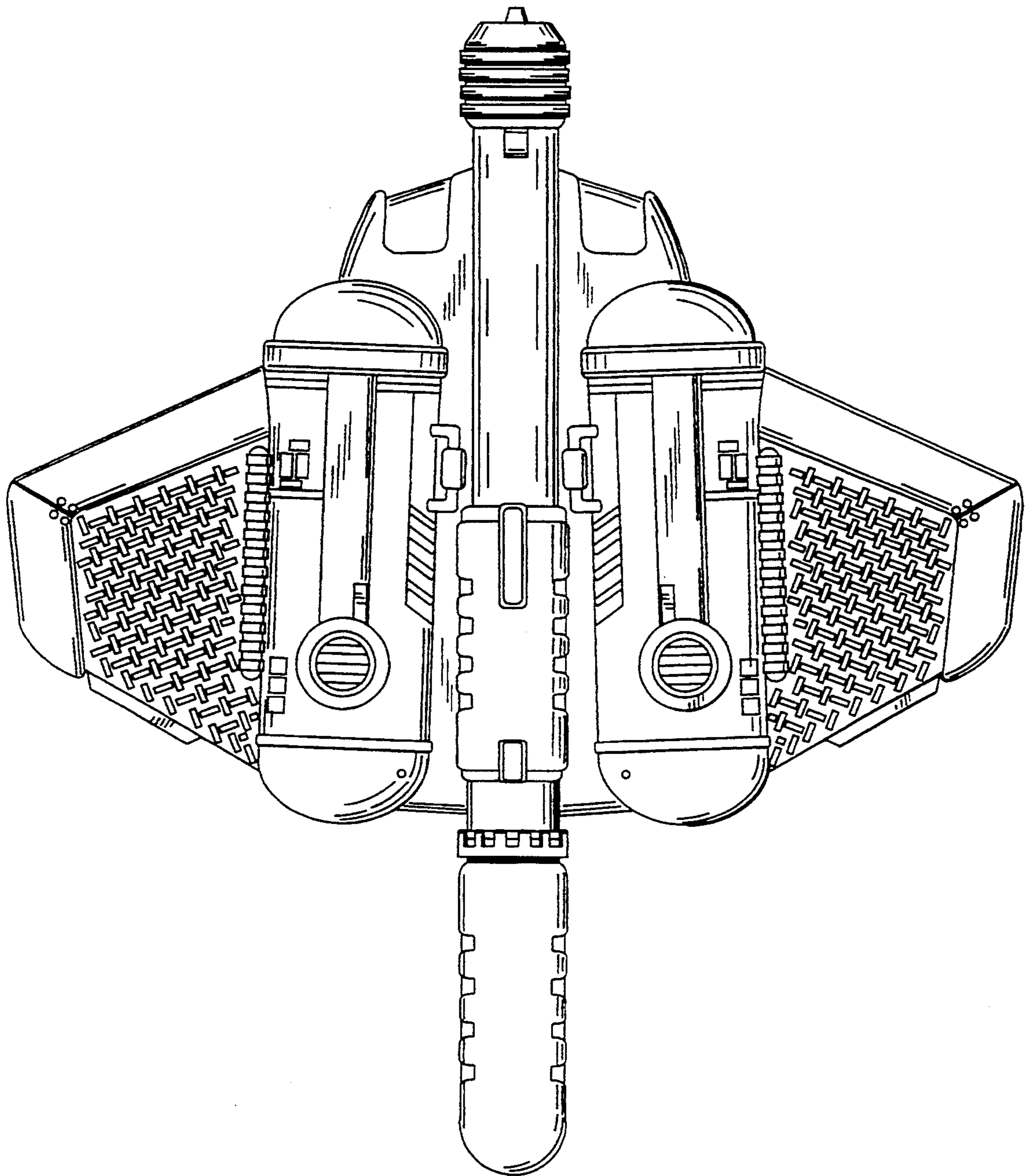


FIG. 3

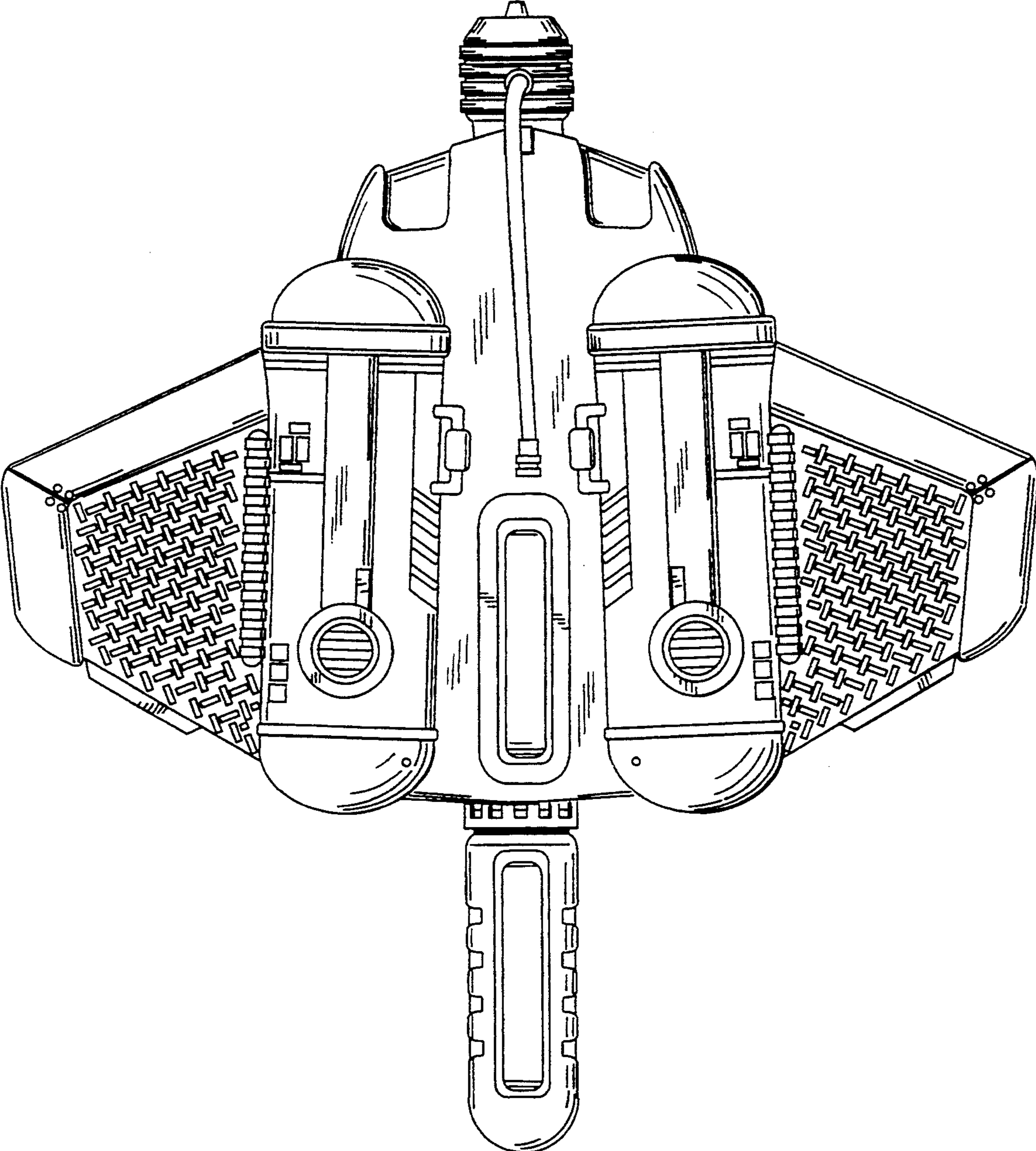


FIG. 4

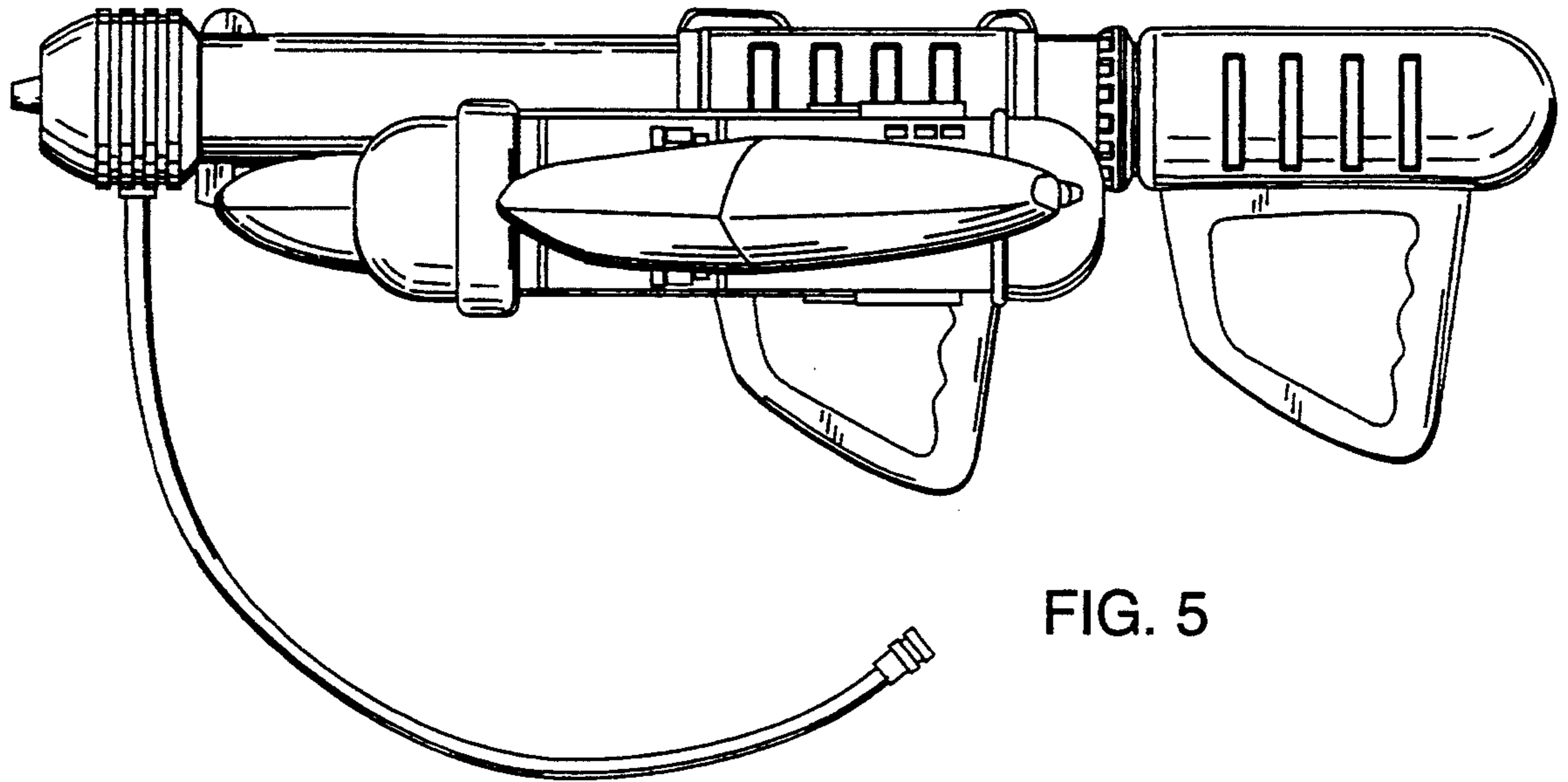


FIG. 5

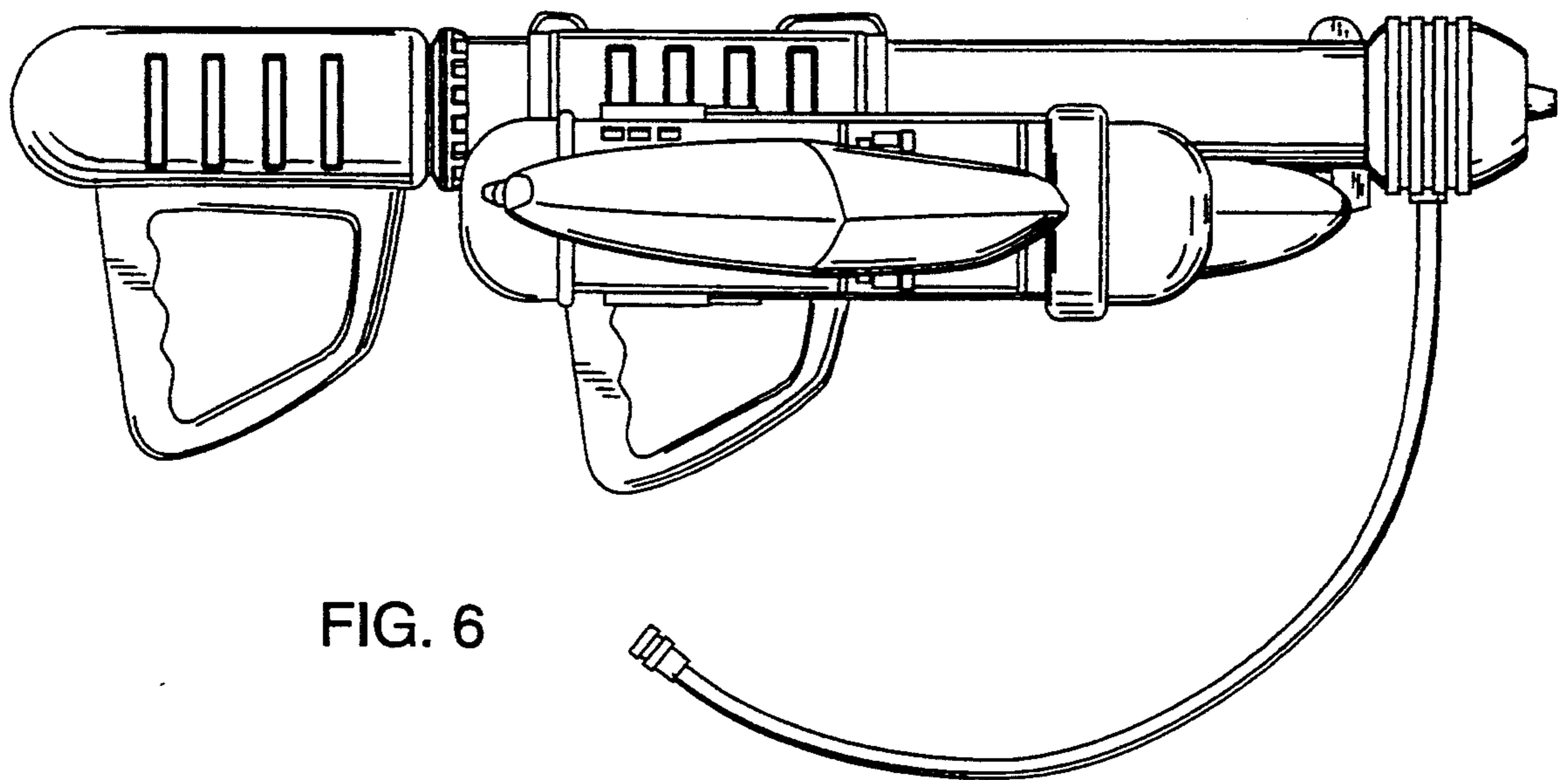


FIG. 6

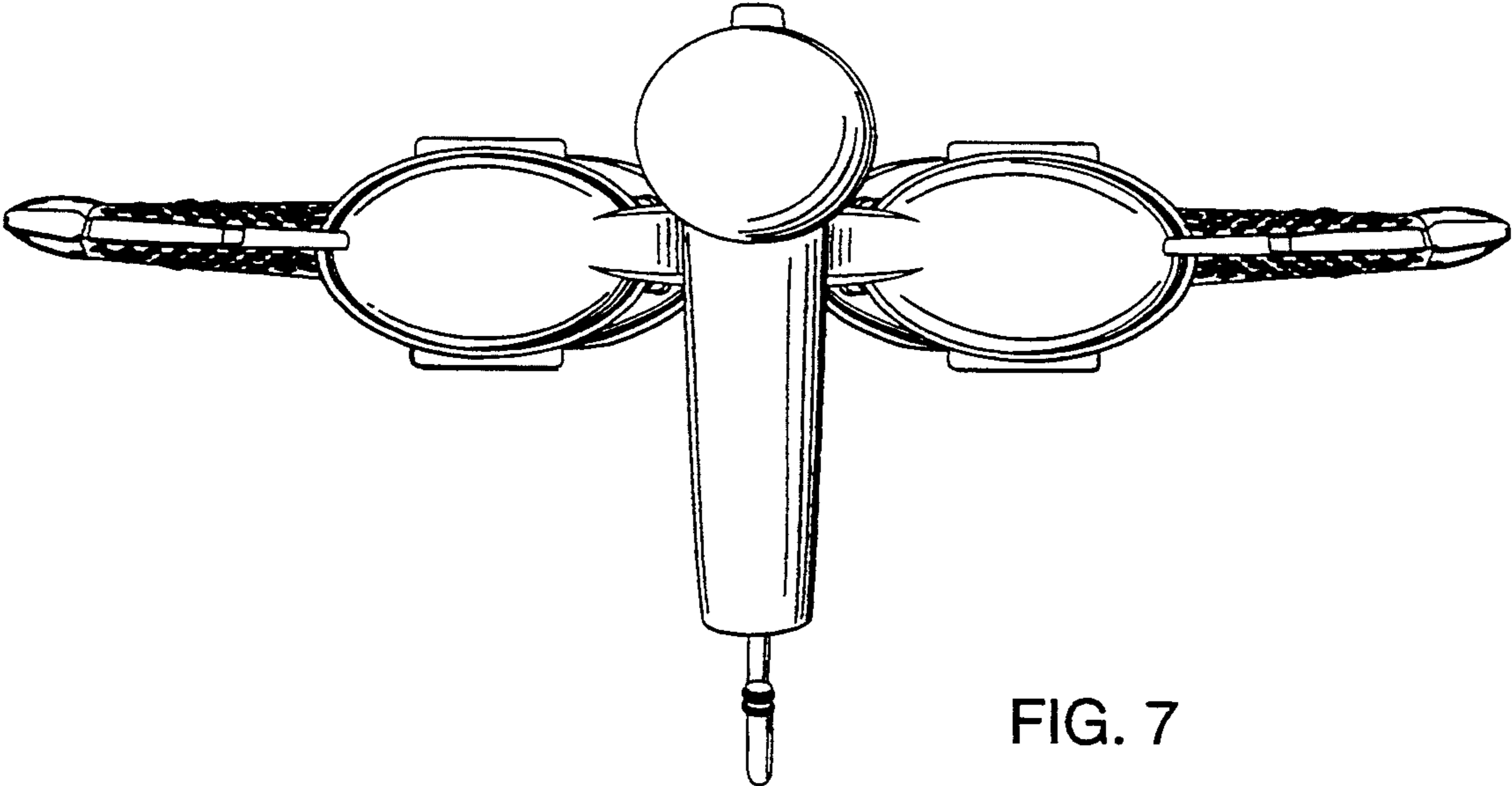


FIG. 7

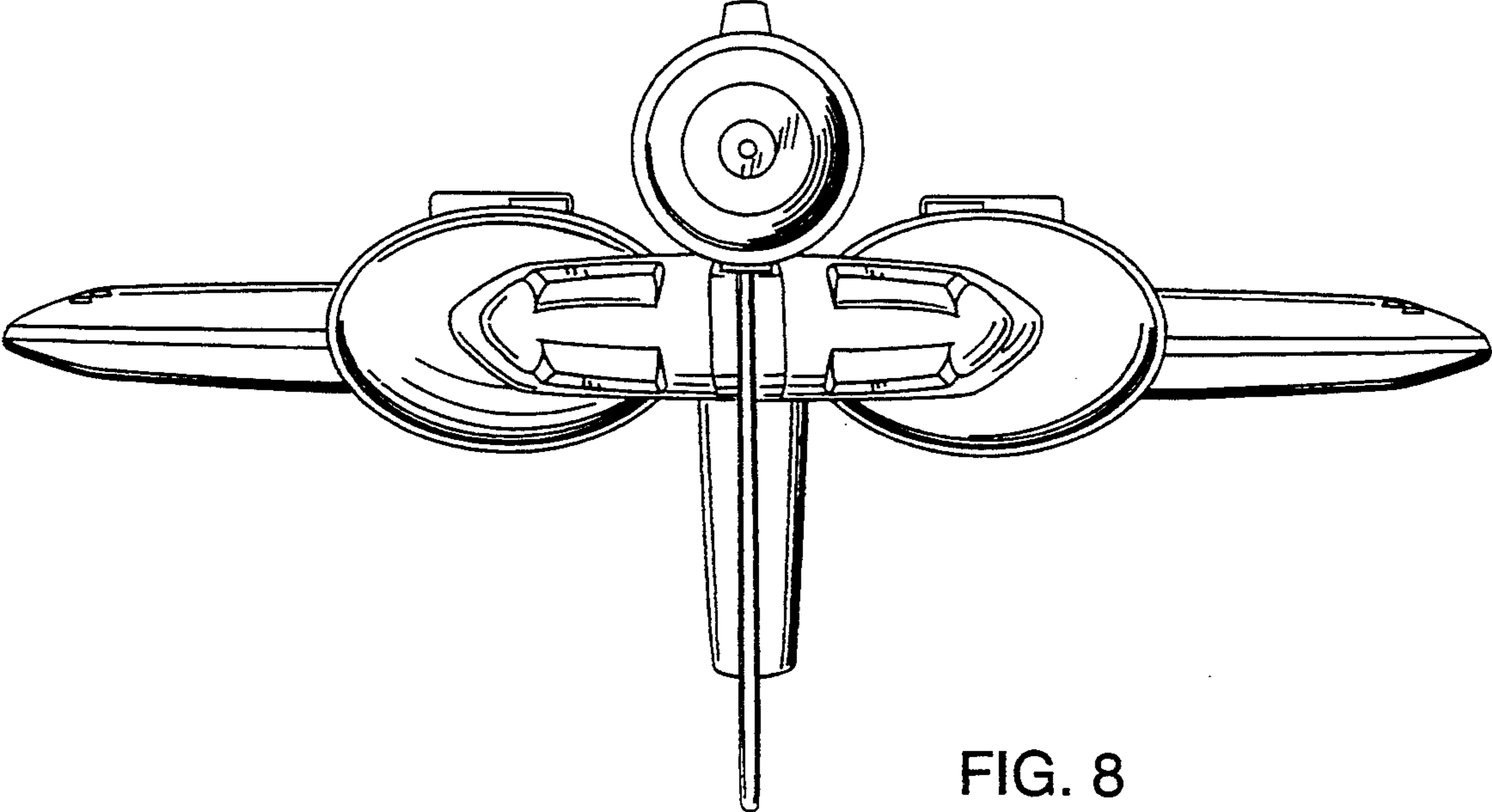


FIG. 8