



US00D354530S

United States Patent [19]

[11] Patent Number: **Des. 354,530**

Nagel

[45] Date of Patent: **** Jan. 17, 1995**

[54] TOY DRILL

D. 327,619	7/1992	Tsai	D8/68
D. 333,960	3/1993	Somers	D8/68
D. 335,073	4/1993	Anthony	D8/68
2,829,285	4/1958	Steiner	446/145

[75] Inventor: **Dietmar Nagel**, Chester, N.J.

[73] Assignee: **Azrak-Hamway International Inc.**,
New York, N.Y.

[**] Term: **14 Years**

Primary Examiner—Bernard Ansher
Assistant Examiner—R. Barkai
Attorney, Agent, or Firm—Amster Rothstein &
Ebenstein

[21] Appl. No.: **4,501**

[57] **CLAIM**

[22] Filed: **Feb. 5, 1993**

The ornamental design for a toy drill, as shown and described.

[52] U.S. Cl. **D21/120**

[58] Field of Search **D21/120, 109, 59;**
D8/61, 62, 64, 68; 446/144, 145

DESCRIPTION

[56] **References Cited**

U.S. PATENT DOCUMENTS

D. 262,473	12/1981	Wildman	D8/68
D. 262,559	1/1982	Klawitter	D21/120
D. 295,141	4/1988	Hoshino	D8/68

FIG. 1 is a perspective view thereof;
FIG. 2 is a rear elevational view thereof;
FIG. 3 is a bottom plan view thereof;
FIG. 4 is a left side elevational view thereof;
FIG. 5 is a front elevational view thereof; and,
FIG. 6 is a top plan view thereof.

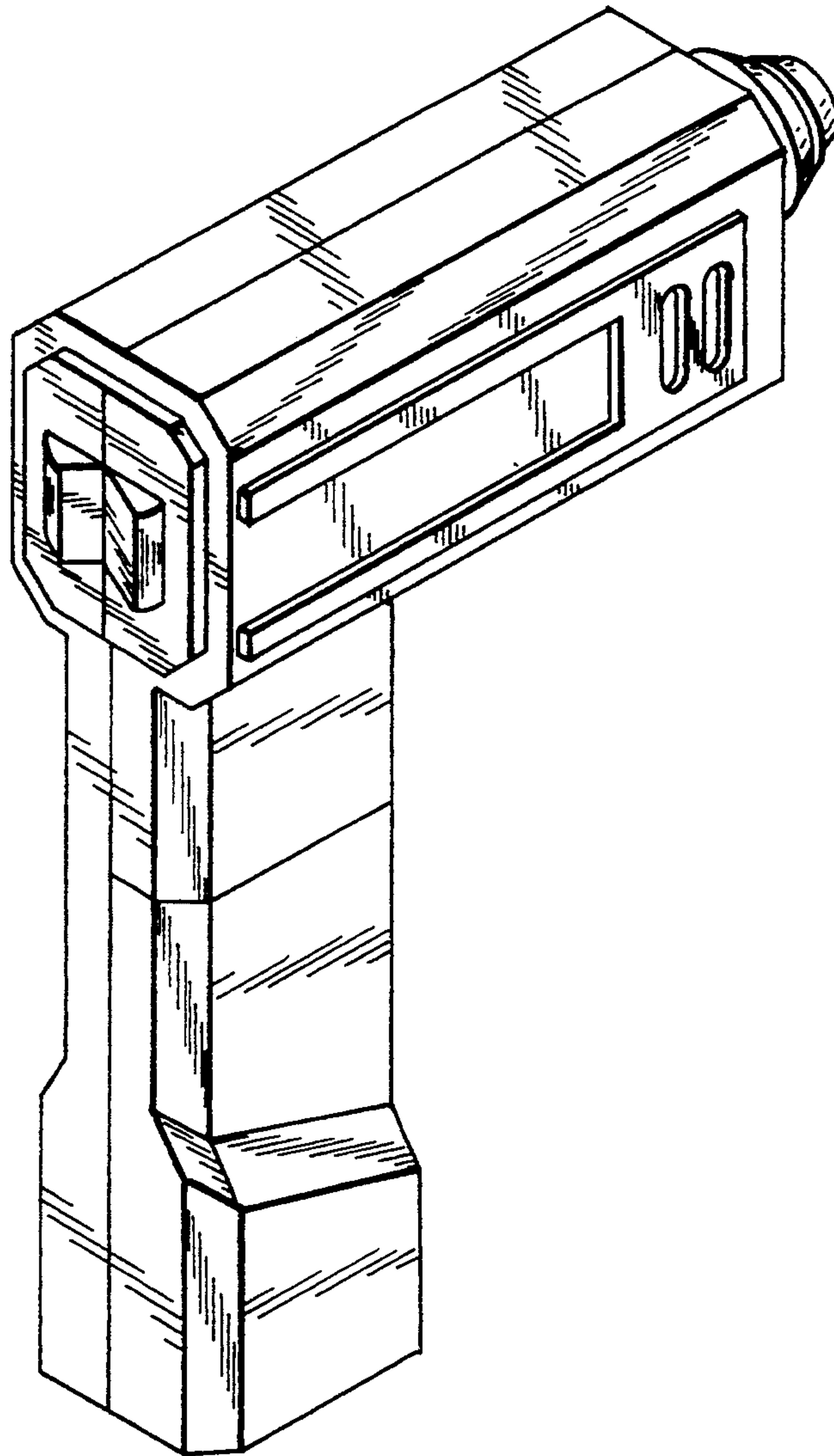


FIG. 1

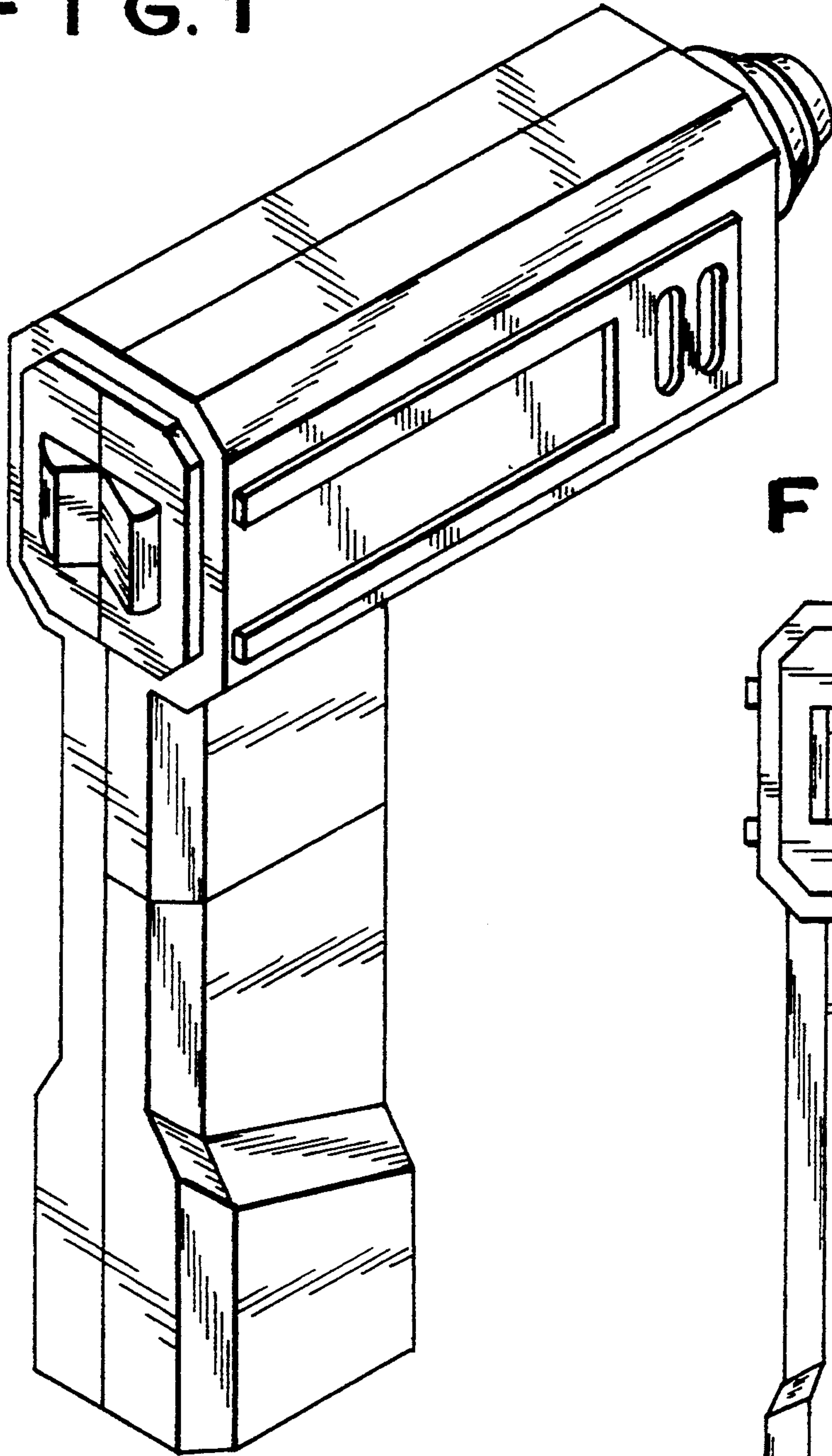


FIG. 2

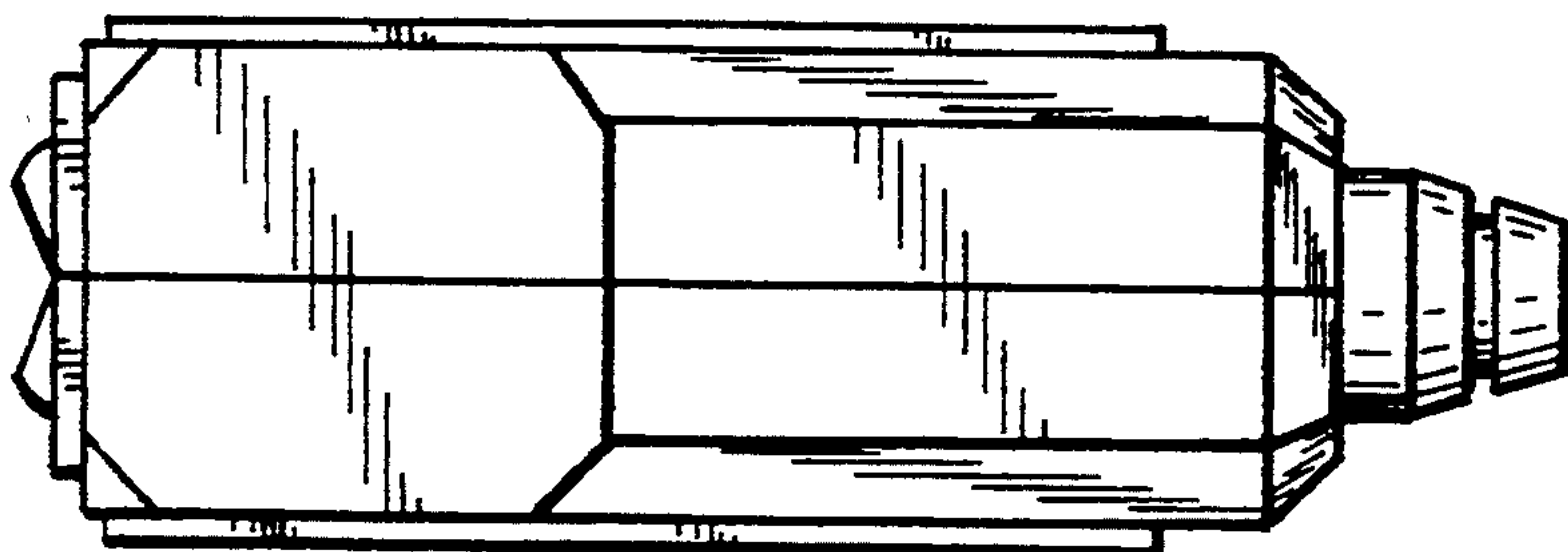
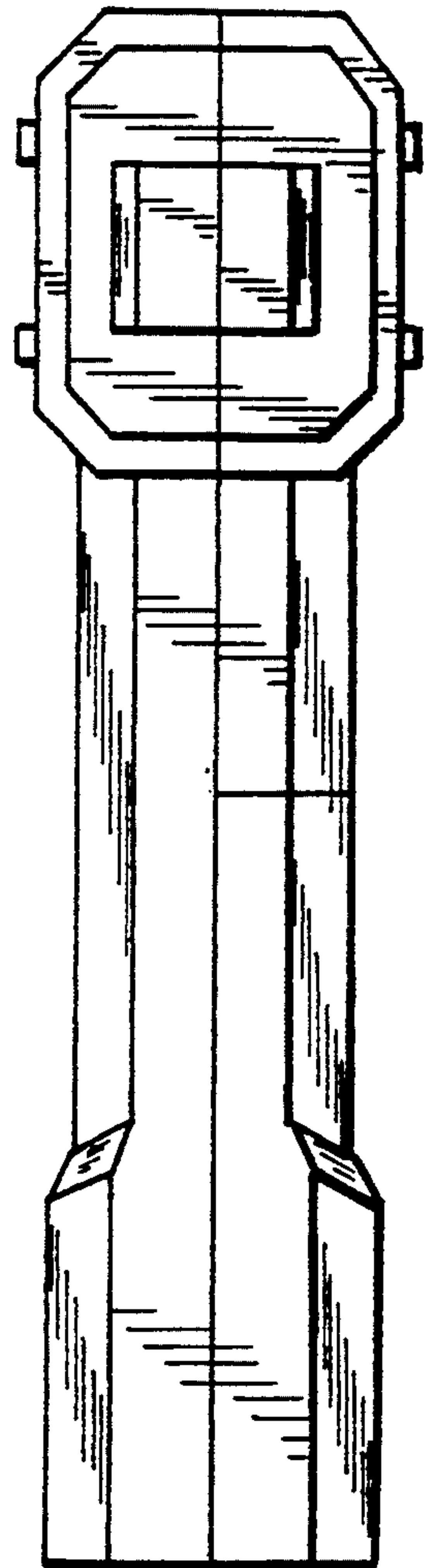


FIG. 3

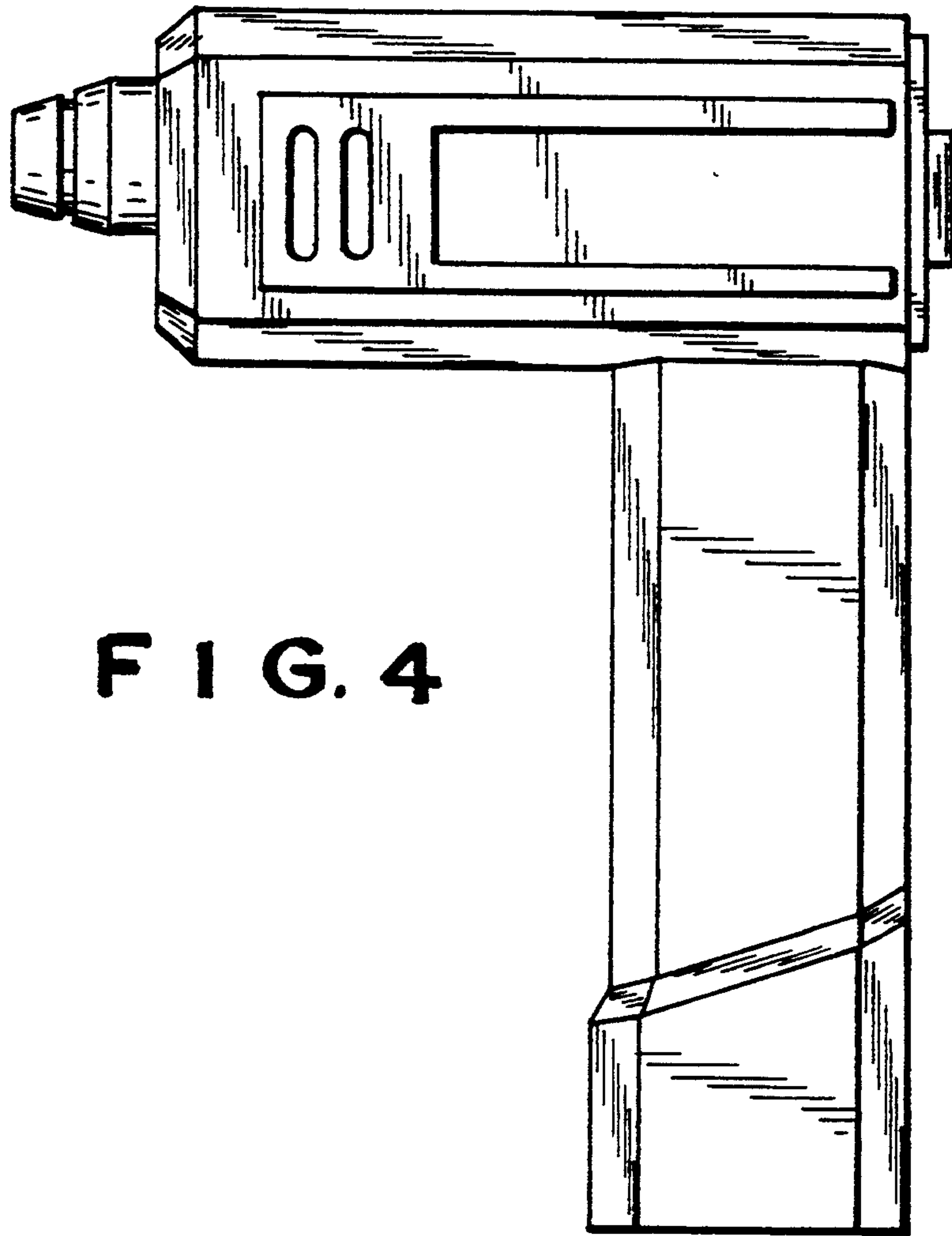


FIG. 4

FIG. 5

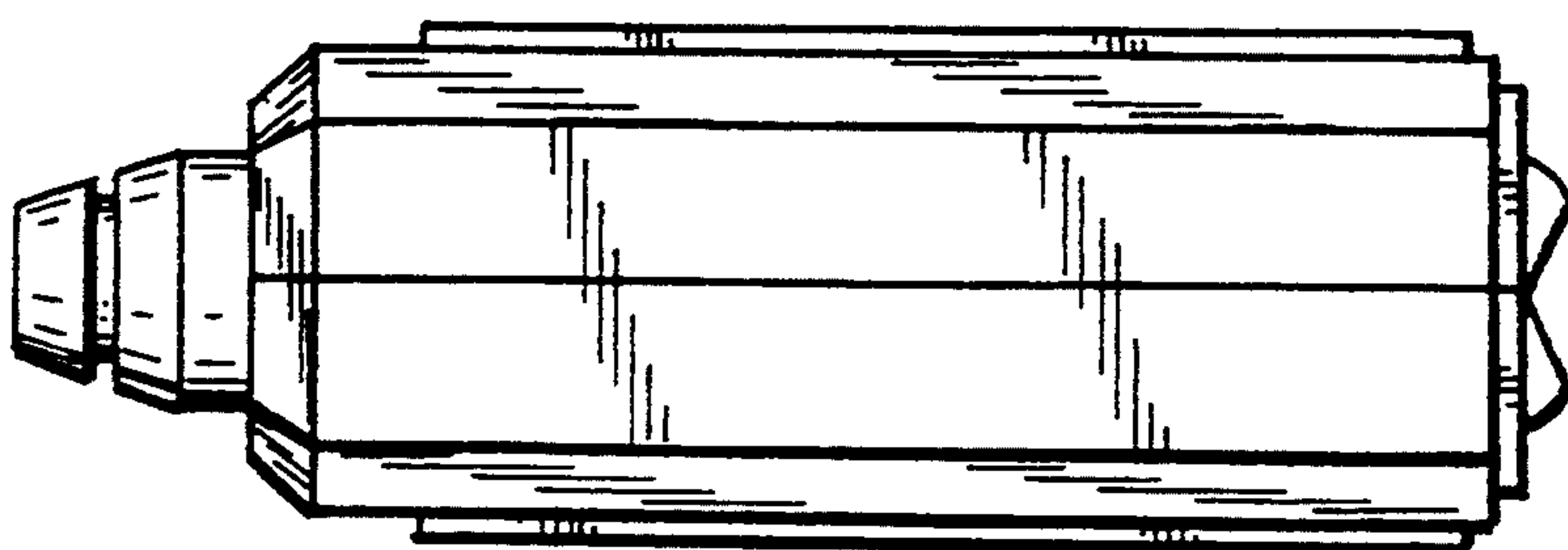
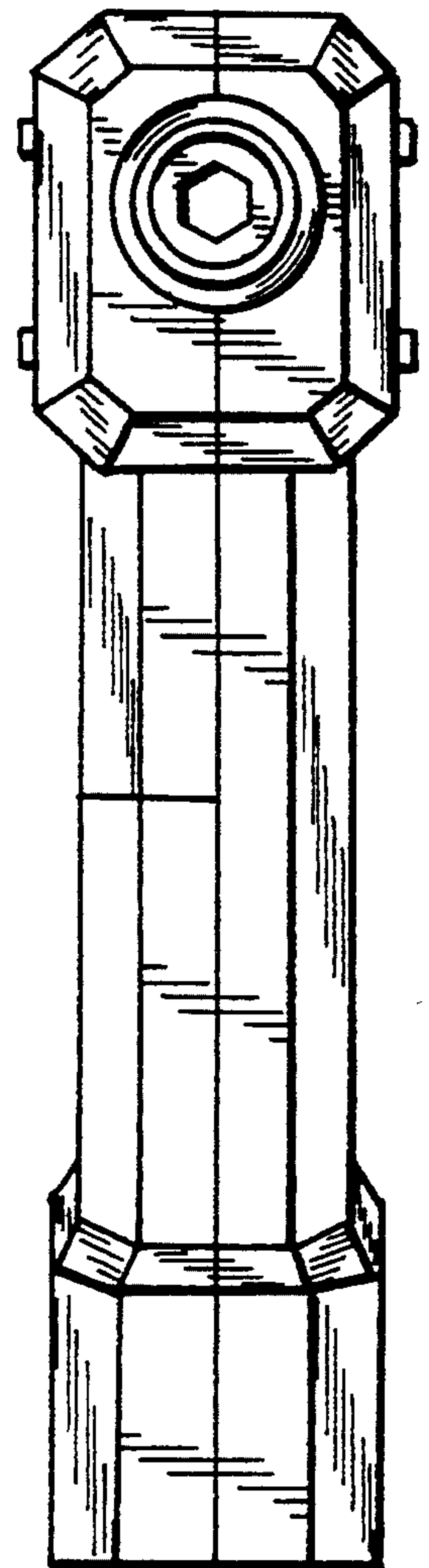


FIG. 6