



US00D354529S

United States Patent [19]

[11] Patent Number: **Des. 354,529**

Skov

[45] Date of Patent: **** Jan. 17, 1995**

- [54] **ELEMENT FOR A TOY BUILDING SET**
- [75] Inventor: **Ib T. Skov, Billund, Denmark**
- [73] Assignee: **Interlego A.G., Baar, Switzerland**
- [**] Term: **14 Years**
- [21] Appl. No.: **13,323**
- [22] Filed: **Sep. 22, 1993**
- [52] U.S. Cl. **D21/108**
- [58] Field of Search **D21/108, 141; D19/59; 446/85, 108, 110, 115, 116, 120, 122, 124, 125, 128, 118; 434/172**

- D. 332,641 1/1993 Skov D21/108
- D. 335,154 4/1993 Knudsen D21/108

Primary Examiner—Bernard Ansher
Assistant Examiner—R. Barkai
Attorney, Agent, or Firm—Kane, Dalsimer, Sullivan, Kurucz, Levy, Eisele and Richard

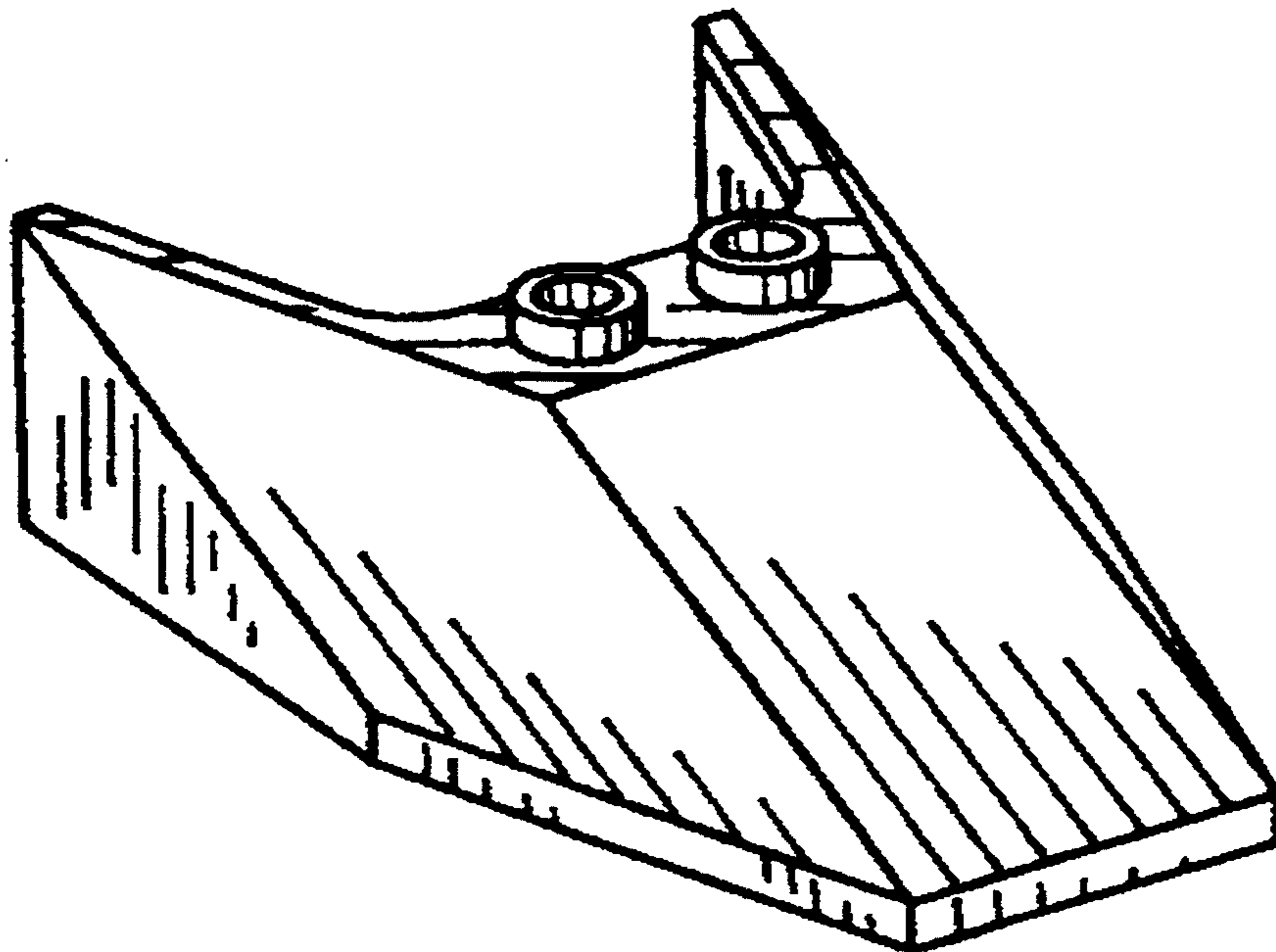
[57] CLAIM

The ornamental design for an element for a toy building set, as shown and described.

DESCRIPTION

FIG. 1 is a top perspective view of the element for a toy building set showing my new design;
 FIG. 2 is a bottom perspective view thereof;
 FIG. 3 is a rear elevational view thereof;
 FIG. 4 is a right side elevational view thereof;
 FIG. 5 is a front elevational view thereof;
 FIG. 6 is a left side elevational view thereof;
 FIG. 7 is a top plan view thereof; and,
 FIG. 8 is a bottom plan view thereof.

- [56] **References Cited**
- U.S. PATENT DOCUMENTS**
- D. 285,705 9/1986 Dideriksen D21/108
- D. 328,928 8/1992 Jarnros D21/108
- D. 328,930 8/1992 Jarnros D21/108
- D. 330,056 10/1992 Pagel D21/108
- D. 331,432 12/1992 Jarnros D21/108



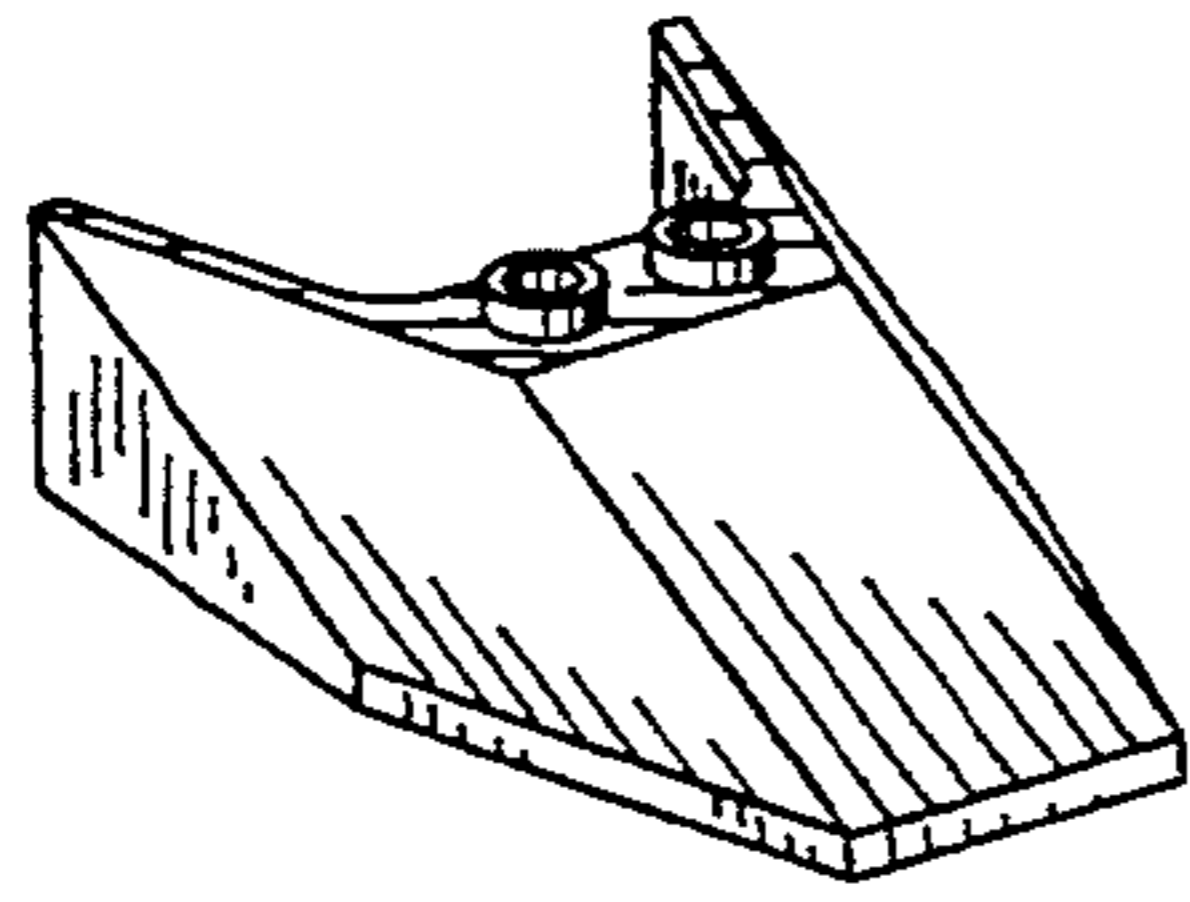


FIG. 1

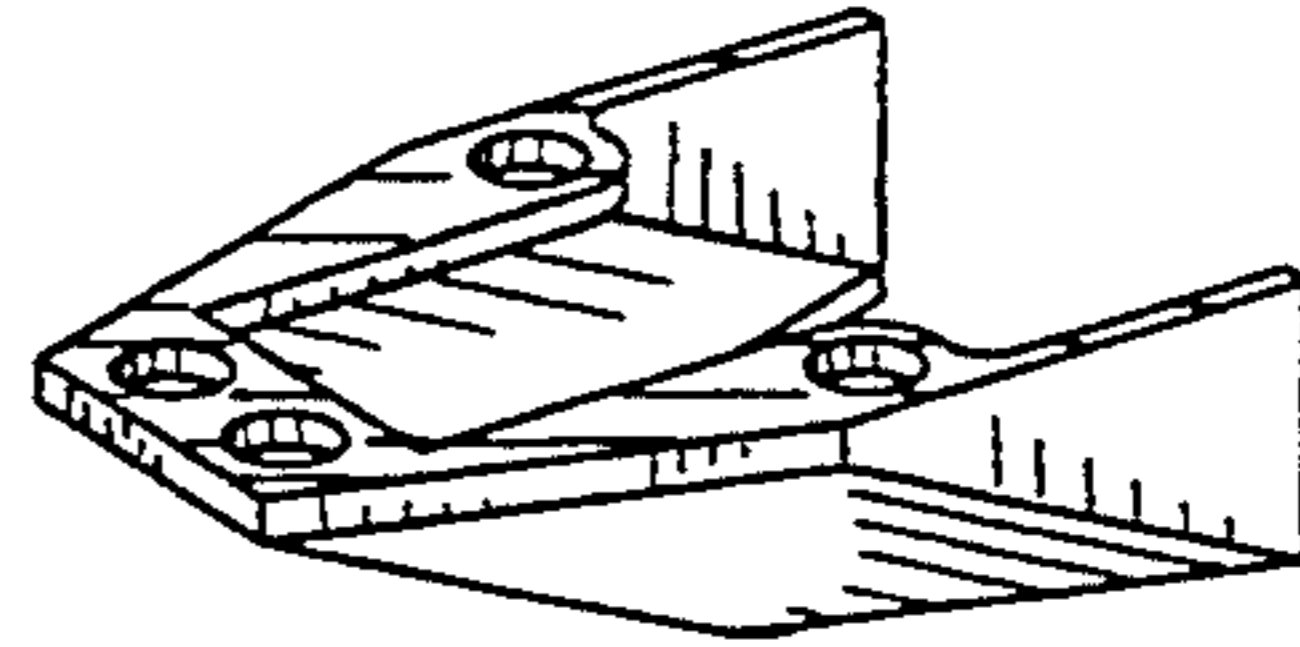


FIG. 2

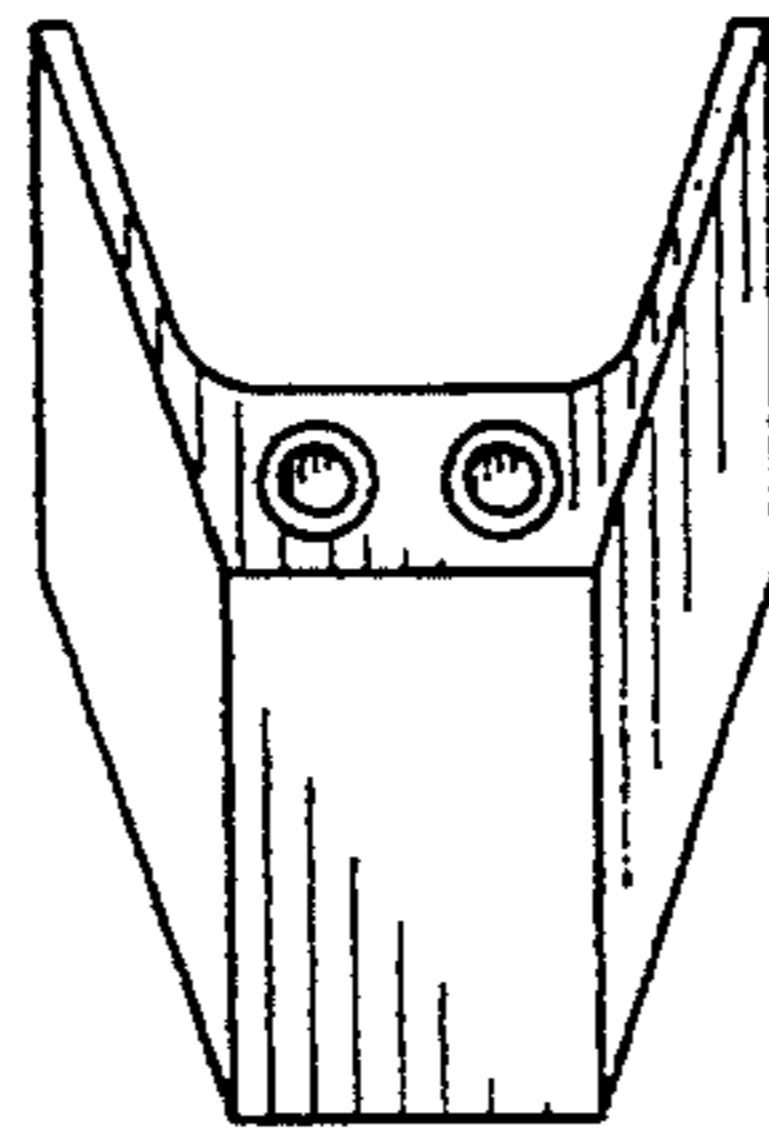


FIG. 7

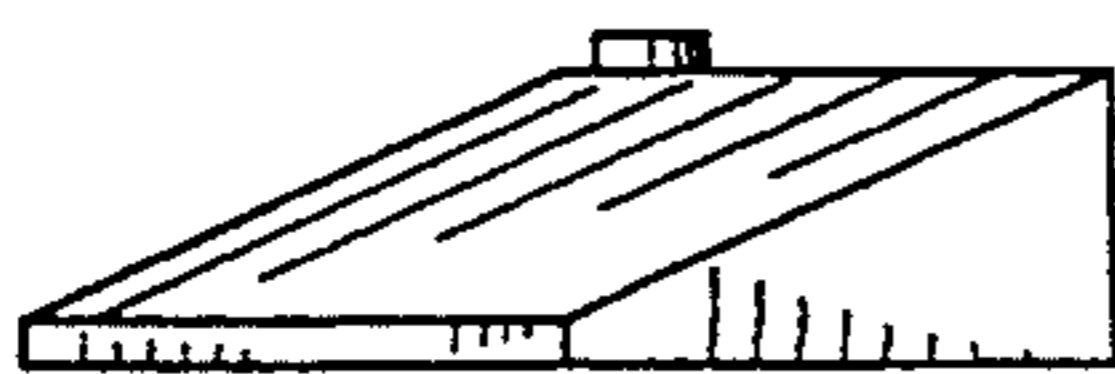


FIG. 6



FIG. 5

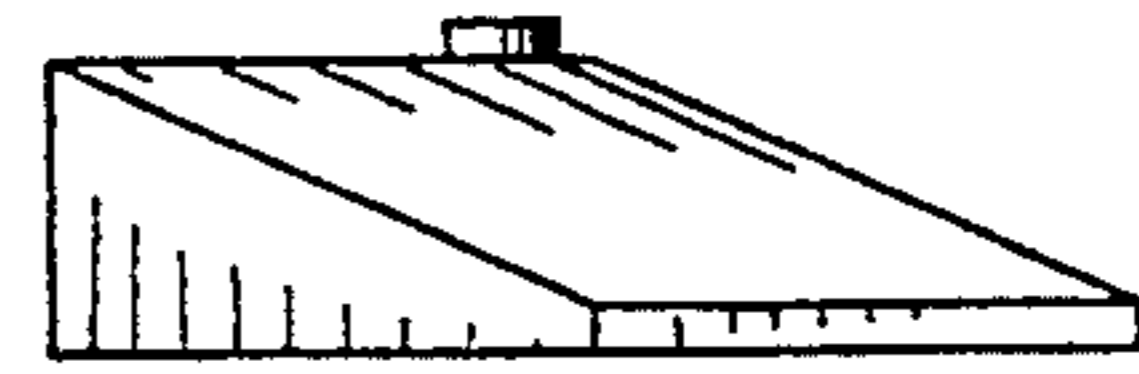


FIG. 4

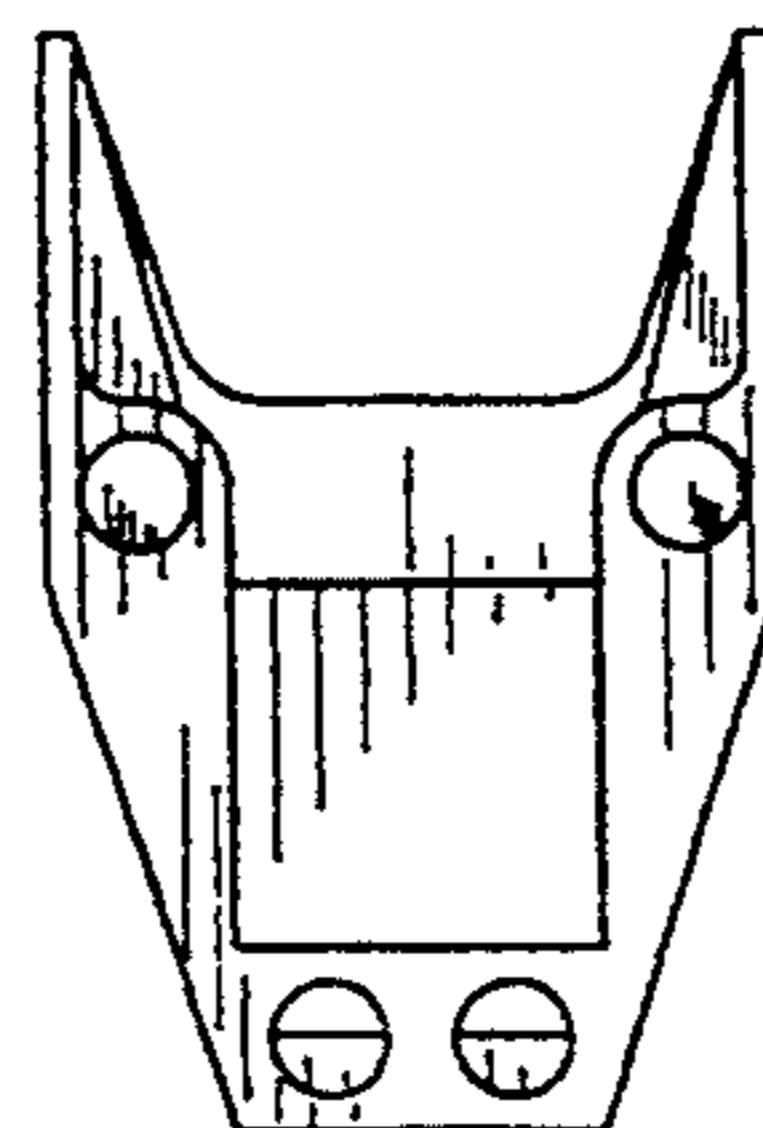


FIG. 8



FIG. 3