



US00D354528S

# United States Patent [19]

[11] Patent Number: **Des. 354,528**

Ryaa et al.

[45] Date of Patent: **\*\* Jan. 17, 1995**

[54] **ELEMENT FOR A TOY BUILDING SET**

3,461,601 8/1969 Kristiansen ..... D21/108  
4,552,541 11/1985 Bolli ..... 446/128

[75] Inventors: **Jan Ryaa; Bill S. Madsen**, both of Billund, Denmark

*Primary Examiner*—Bernard Ansher  
*Assistant Examiner*—R. Barkai  
*Attorney, Agent, or Firm*—Kane, Dalsimer, Sullivan, Kurucz, Levy, Eisele and Richard

[73] Assignee: **Interlego A.G.**, Baar, Switzerland

[\*\*] Term: **14 Years**

[21] Appl. No.: **13,314**

[57] **CLAIM**

[22] Filed: **Sep. 22, 1993**

The ornamental design for an element for a toy building set, as shown and described.

[52] U.S. Cl. .... **D21/108**

[58] Field of Search ..... D21/108, 141; D19/59;  
446/85, 108, 110, 115, 116, 118, 120, 122, 124,  
128; 434/172

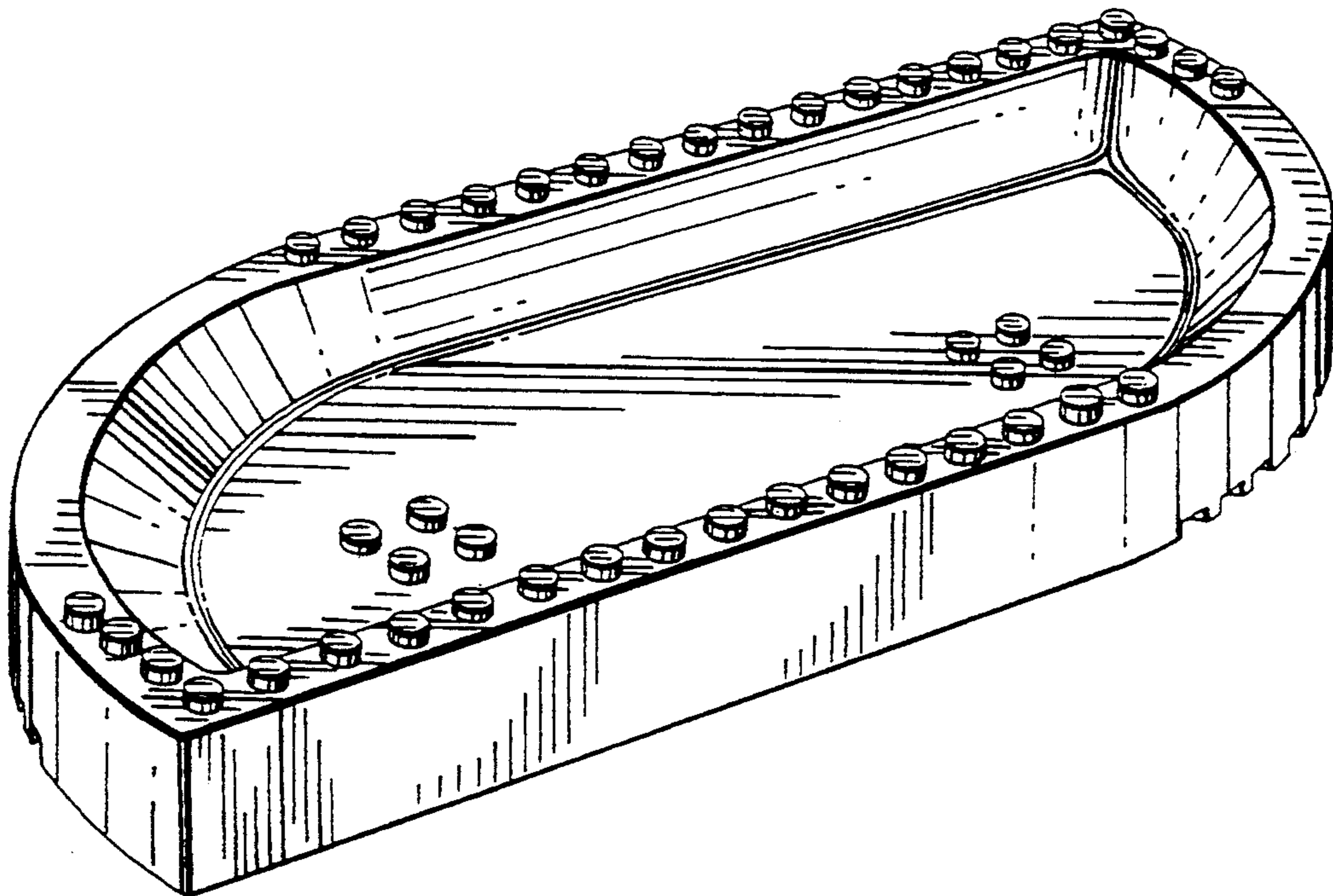
**DESCRIPTION**

[56] **References Cited**

**U.S. PATENT DOCUMENTS**

- D. 243,020 1/1977 Inderwick ..... D21/108
- D. 311,936 11/1990 Andersen ..... D21/108
- D. 324,551 3/1992 Skov ..... D21/108
- D. 342,291 12/1993 Bertrand ..... D21/108

FIG. 1 is a top perspective view of the element for a toy building set showing our new design;  
FIG. 2 is a bottom perspective view thereof;  
FIG. 3 is a left side elevational view thereof;  
FIG. 4 is a rear elevational view thereof;  
FIG. 5 is a right side elevational view thereof;  
FIG. 6 is a front elevational view thereof;  
FIG. 7 is a top plan view thereof; and,  
FIG. 8 is a plan view thereof.



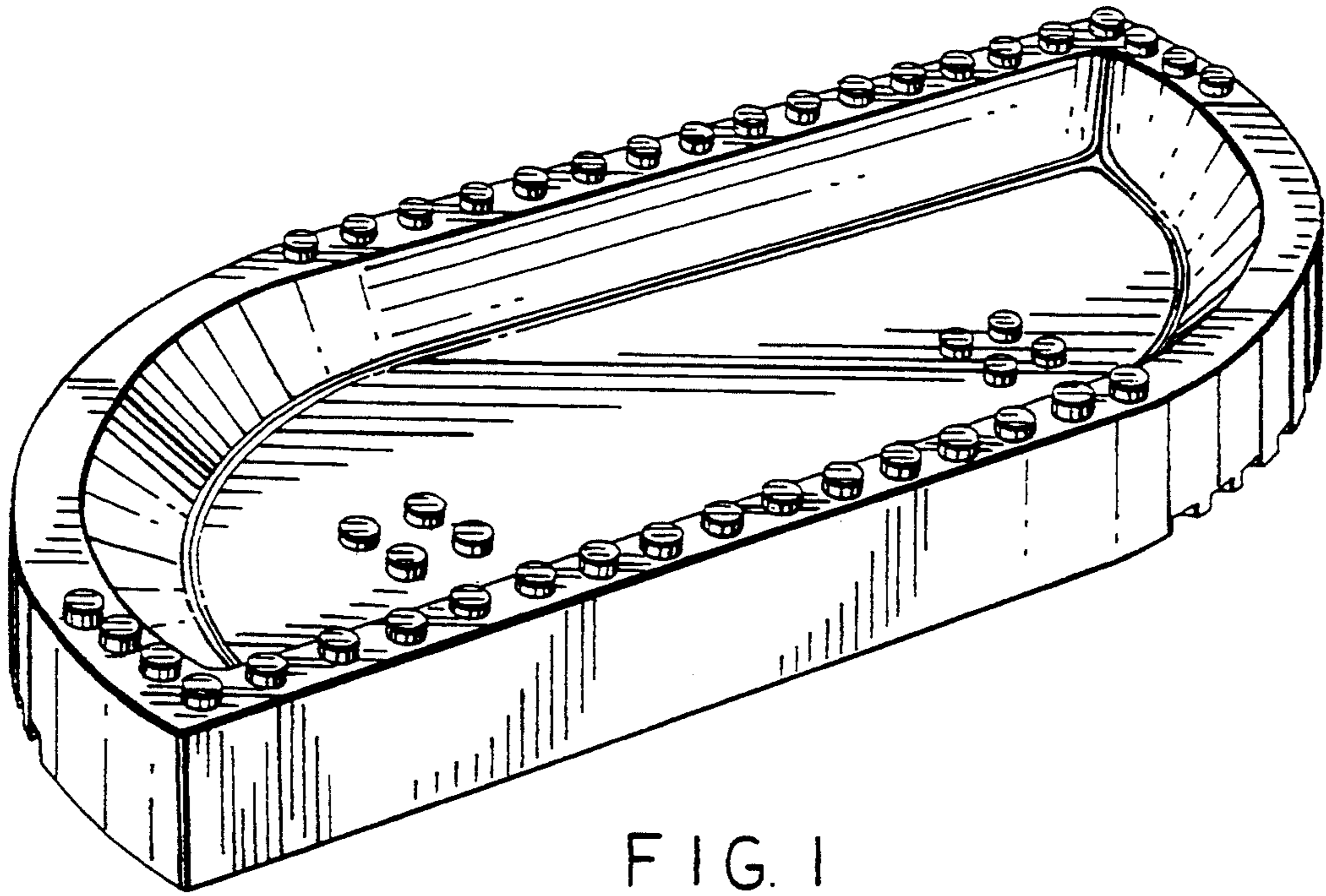


FIG. 1

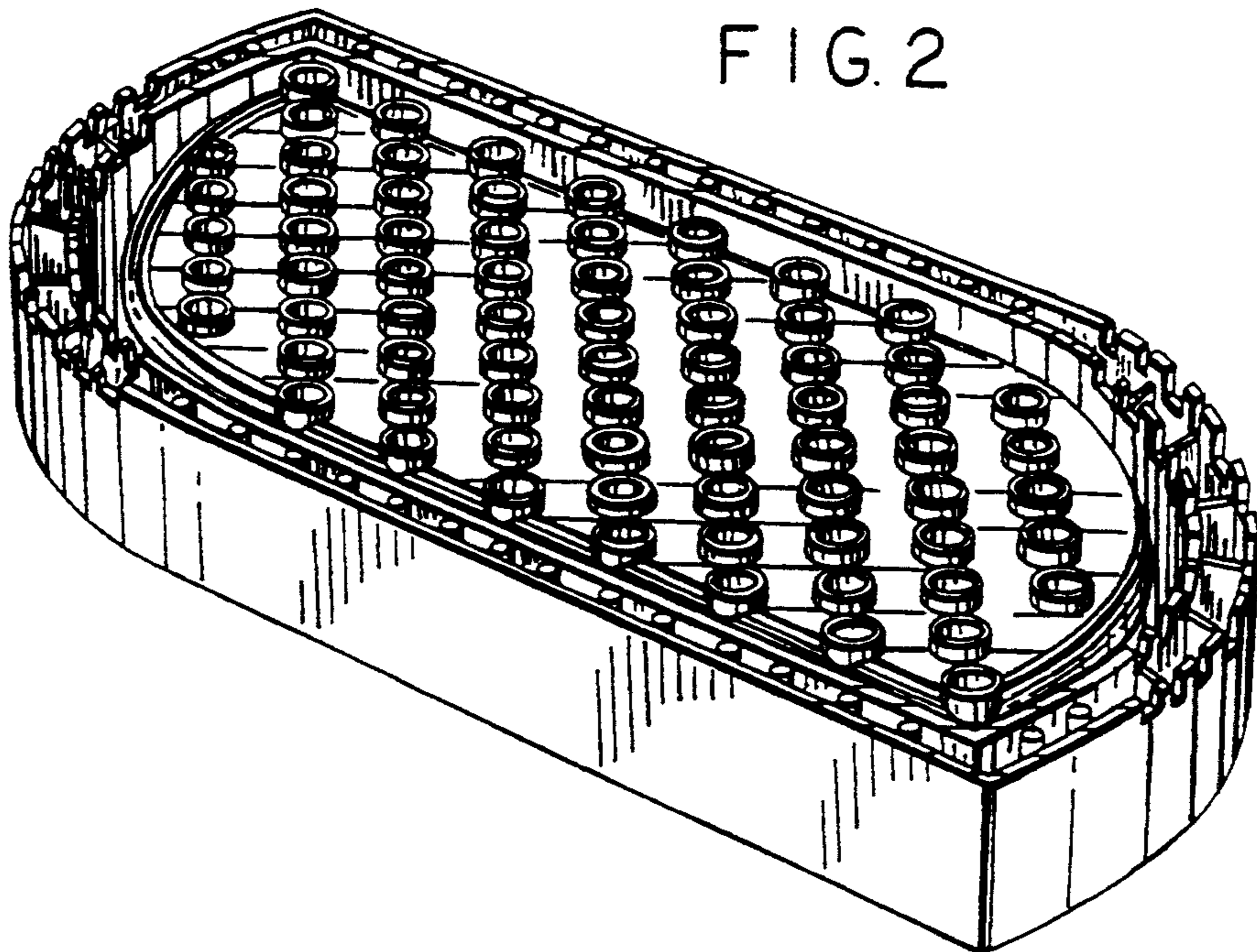


FIG. 2

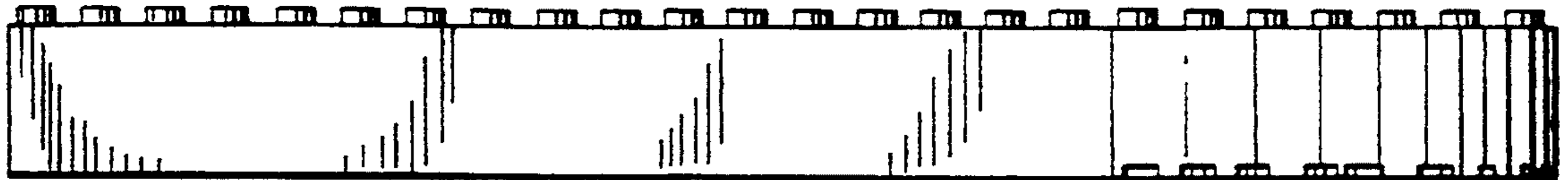


FIG. 5

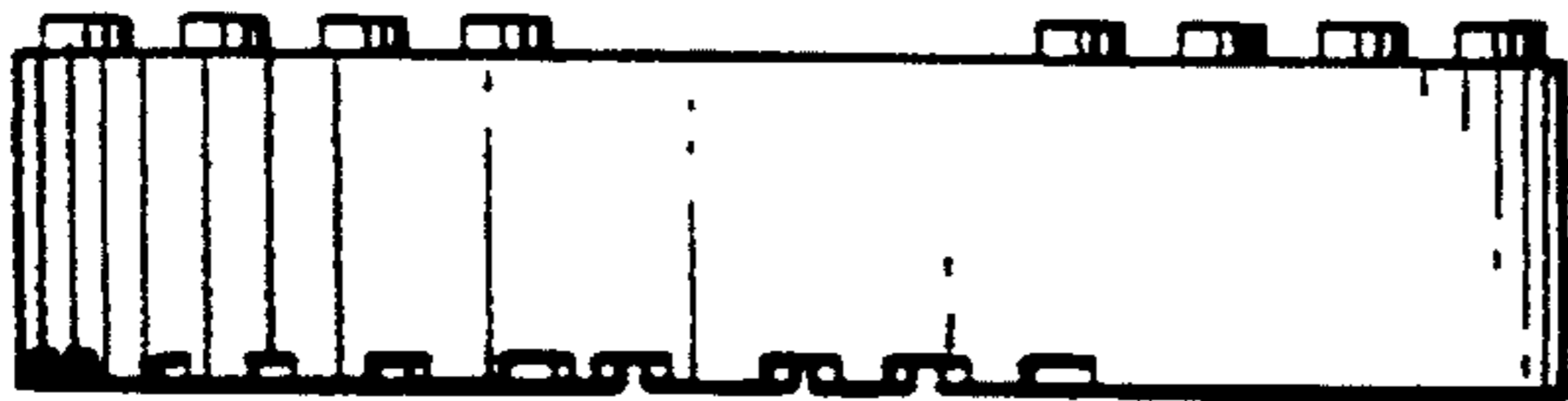


FIG. 4

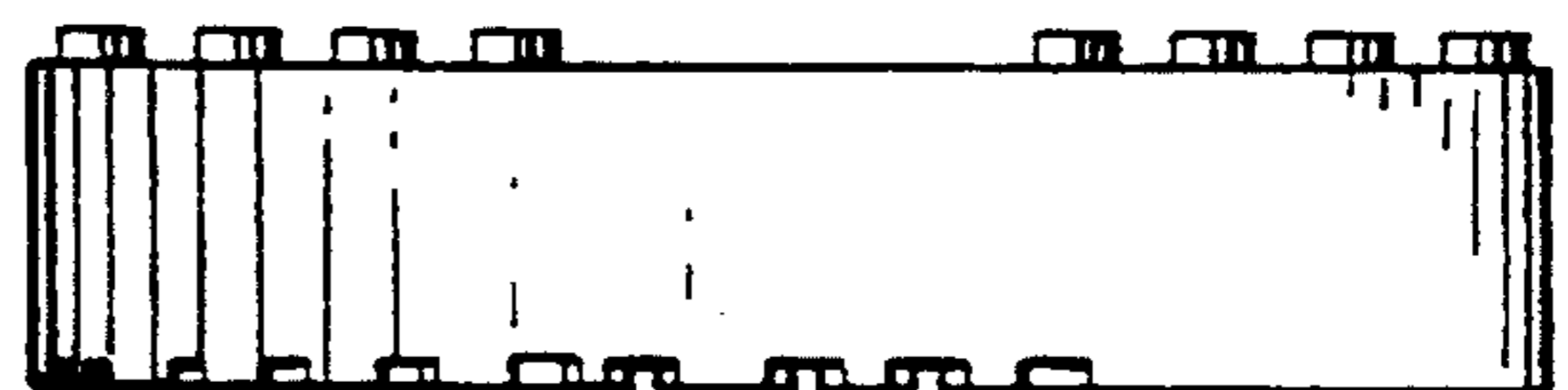


FIG. 6

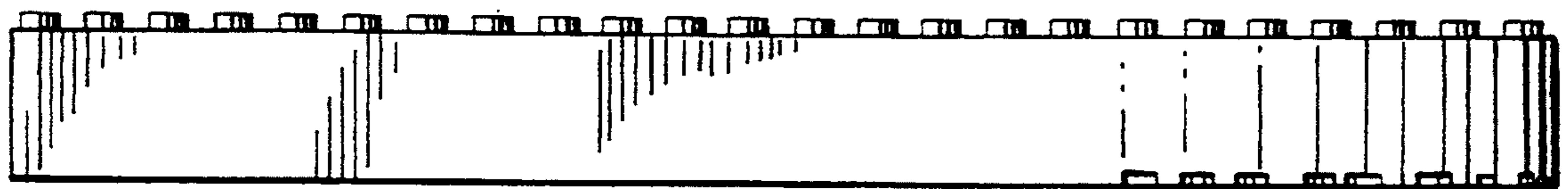


FIG. 3

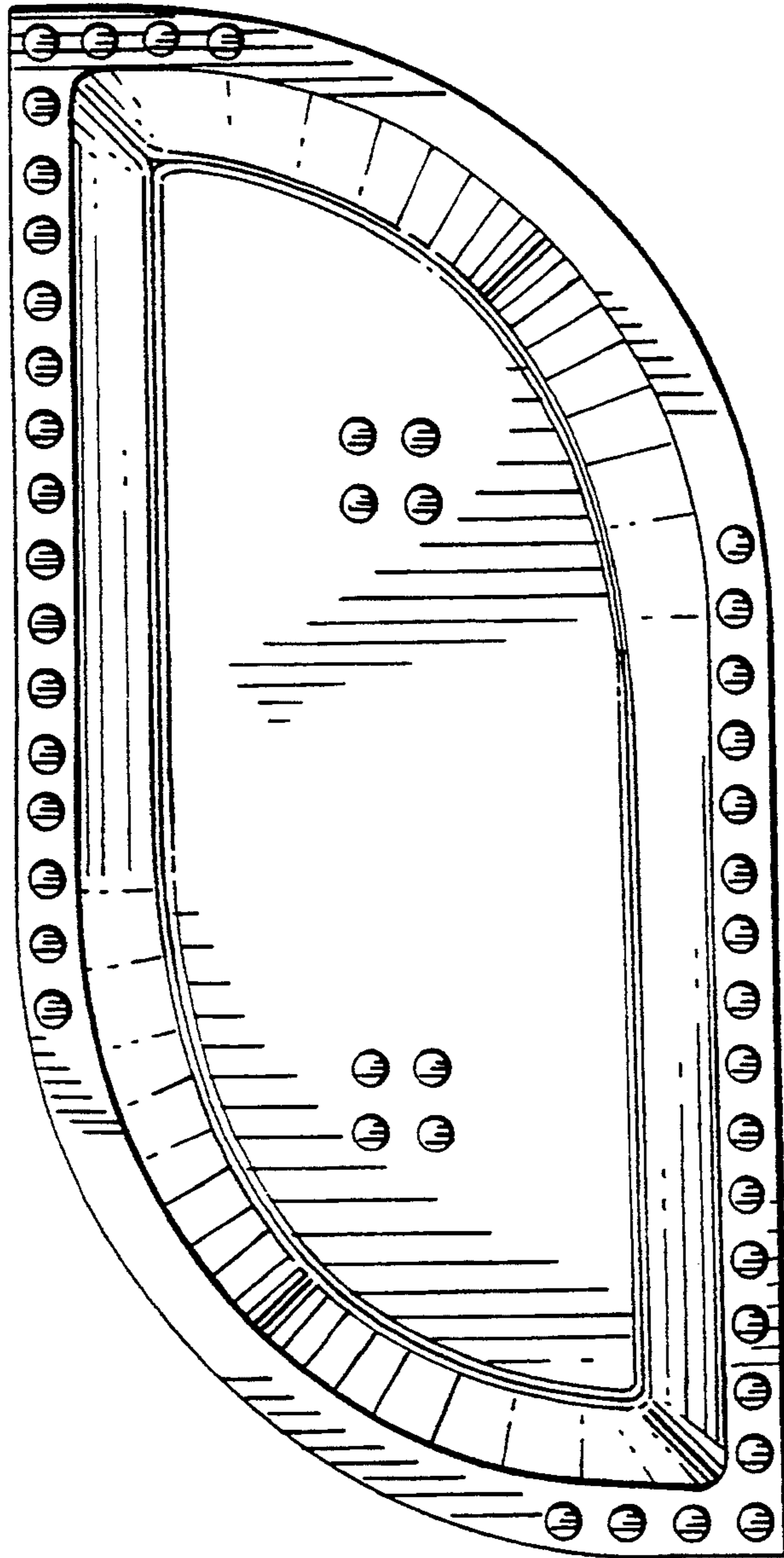


FIG. 7

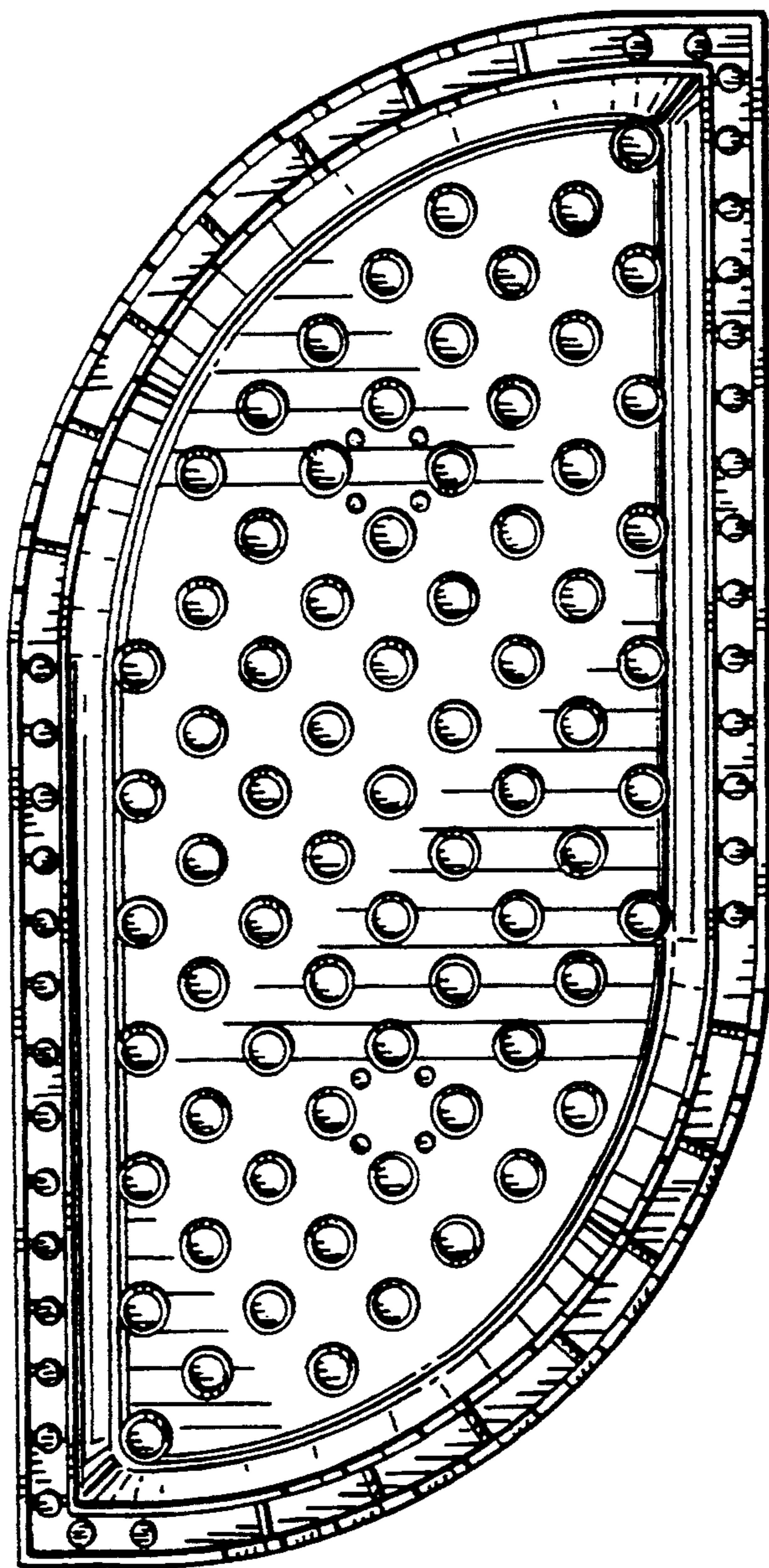


FIG. 8