



US00D354524S

United States Patent [19] Freund

[11] Patent Number: **Des. 354,524**
[45] Date of Patent: **** Jan. 17, 1995**

[54] **CHESS SET**
[76] Inventor: **Robert J. Freund**, 11815 SE. Oak St.,
Portland, Oreg. 97216
[**] Term: **14 Years**
[21] Appl. No.: **23,487**
[22] Filed: **May 25, 1994**

4,842,133 6/1989 LaBarge et al. 206/315.1

FOREIGN PATENT DOCUMENTS

907699 3/1946 France 273/260
3214 3/1902 United Kingdom 273/261
0552934 4/1943 United Kingdom D21/

OTHER PUBLICATIONS

Brochure distributed by American Inventors Corpora-
tion approximately during Sep. 1991.
Games Jun. 1986 p. 52 Chess game, left.

Primary Examiner—Bernard Ansher
Assistant Examiner—Sandra Morris

Related U.S. Application Data
[63] Continuation of Ser. No. 723,532, Jul. 1, 1991, aban-
doned.
[52] U.S. Cl. **D21/52**
[58] Field of Search **D21/14-36,**
D21/51-53; 273/236-288

[57] CLAIM

The ornamental design for a chess set, as shown and
described.

[56] References Cited

U.S. PATENT DOCUMENTS

D. 241,862	10/1976	Cioffi	D21/24
895,875	8/1908	Mercer	D21/15
2,011,058	8/1935	Krase .	
3,032,345	5/1962	Lemelson .	
3,608,904	9/1971	Margetson	D21/52
3,761,092	9/1973	Shieff	273/239
3,794,326	2/1974	Bialek	D21/52
3,806,125	4/1974	Bialek	D21/52
3,880,429	4/1975	Blumenaus	273/136 E
4,021,043	5/1977	Lucero	273/260
4,699,385	10/1987	Bifulco	273/260

DESCRIPTION

FIG. 1 is a front elevational view of a chess set showing
my new design;
FIG. 2 is a rear elevational view thereof;
FIG. 3 is an enlarged left side elevational view thereof;
FIG. 4 is an enlarged right side elevational view
thereof;
FIG. 5 is a top plan view thereof;
FIG. 6 is a bottom plan view thereof;
FIG. 7 is a top perspective view thereof; and,
FIG. 8 is a bottom perspective view thereof.

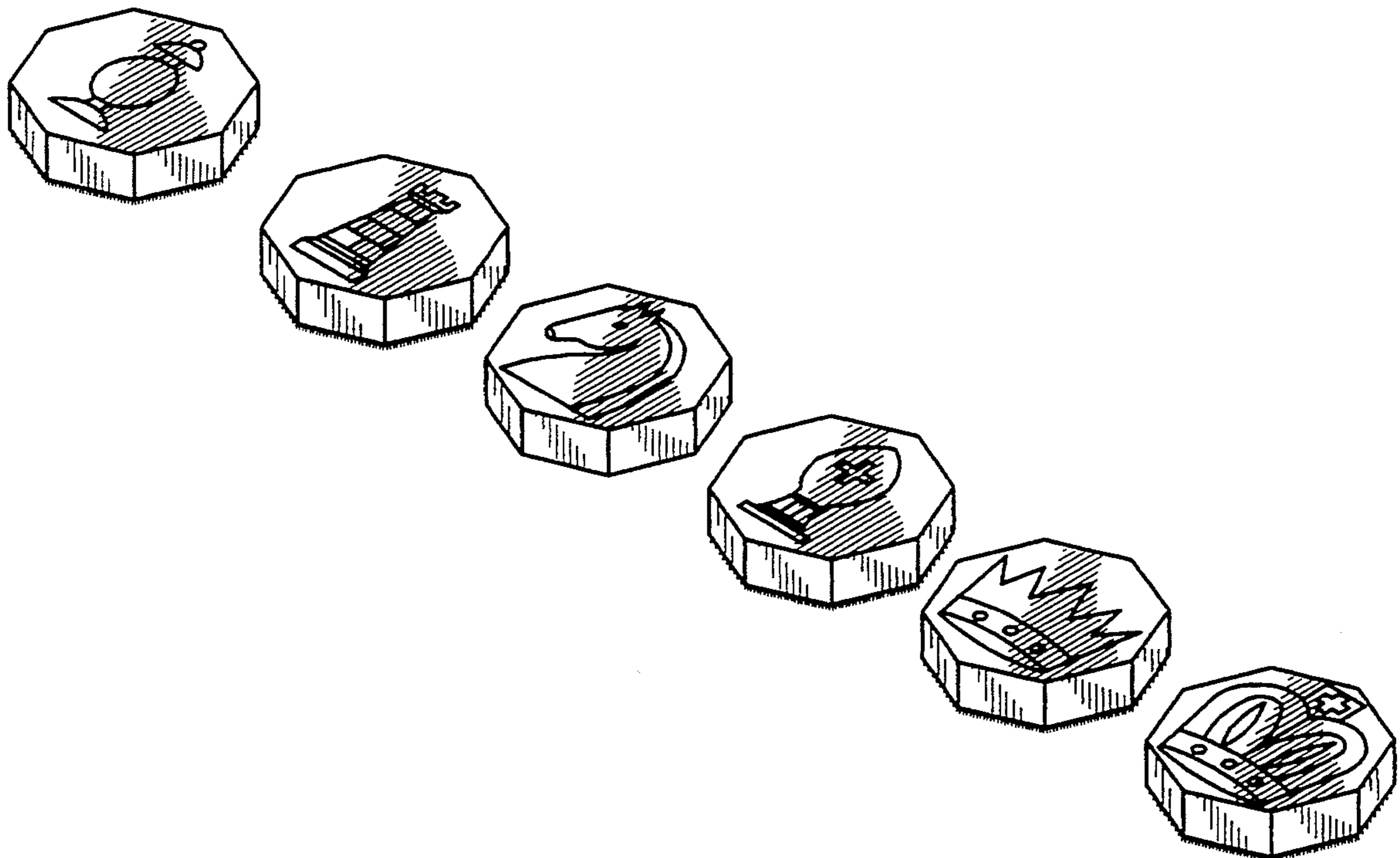


FIG. 1

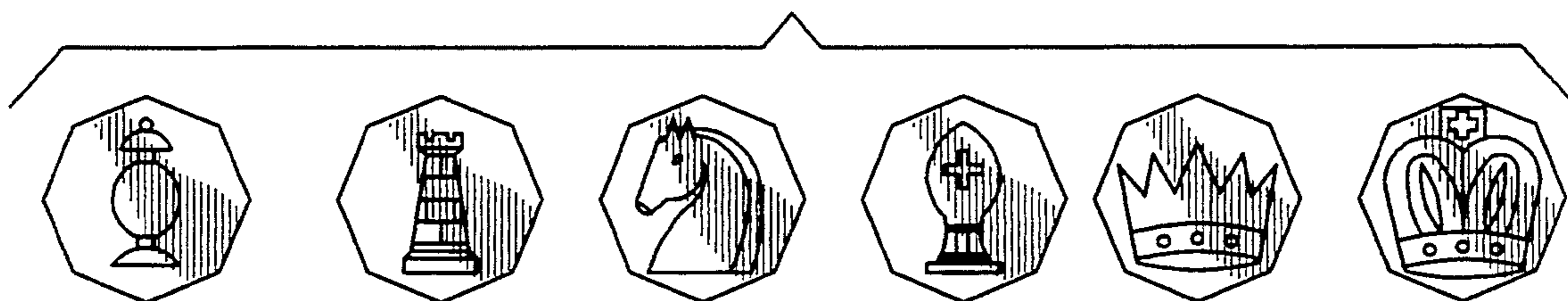


FIG. 2

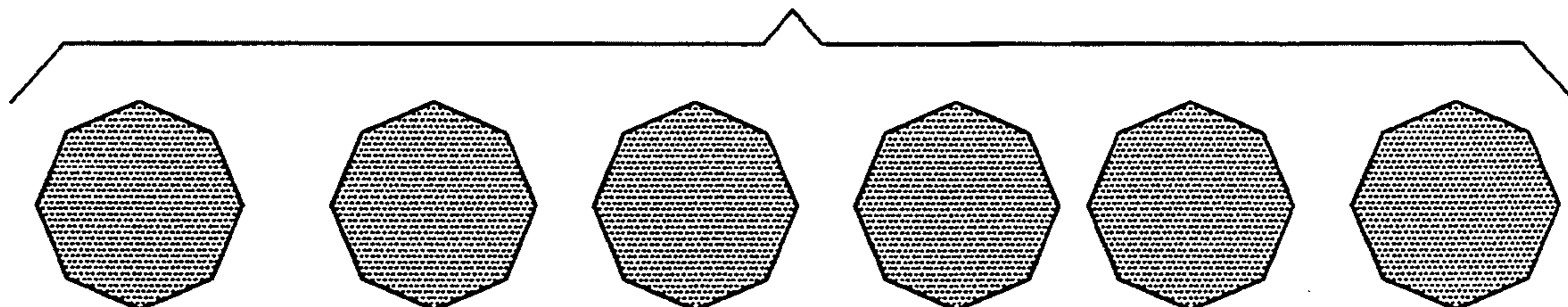


FIG. 3



FIG. 4

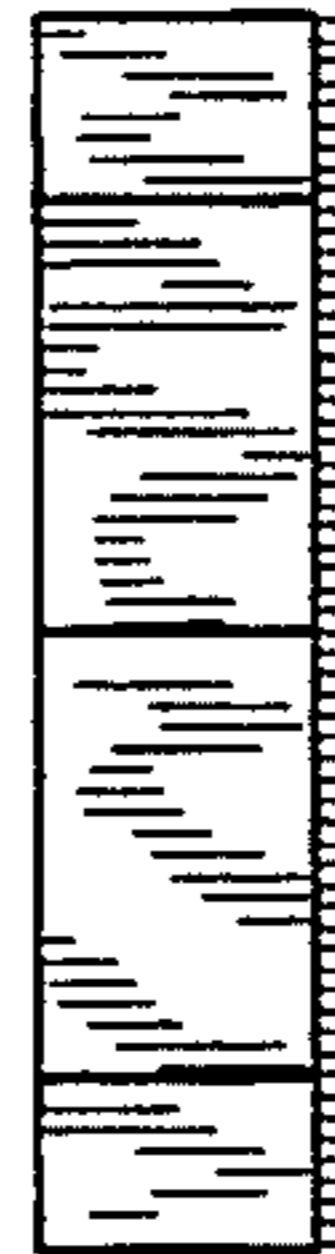


FIG. 5

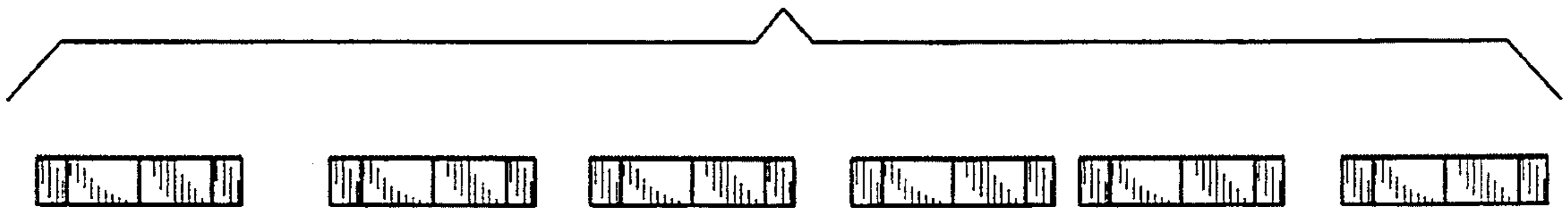


FIG. 6

