



US00D354522S

# United States Patent [19]

[11] Patent Number: **Des. 354,522**

**Muir**

[45] Date of Patent: **\*\* Jan. 17, 1995**

[54] **GAME BOARD**

[75] Inventor: **Digvijay S. Muir, Hopatcong, N.J.**

[73] Assignee: **Muir Concepts, Inc., Hopatcong, N.J.**

[\*\*] Term: **14 Years**

[21] Appl. No.: **5,951**

[22] Filed: **Mar. 18, 1993**

[52] U.S. Cl. .... **D21/17; D21/33**

[58] Field of Search ..... **D21/14-36; 273/236-286**

D. 342,761	12/1993	Graham	.....	D21/17
614,543	11/1898	Gerry	.....	273/243
715,796	12/1902	Haskell	.....	D21/17
1,034,633	8/1912	Mansfield	.....	273/243
1,265,497	5/1918	Parker	.....	273/243
3,073,601	11/1963	Baillo	.....	273/284

*Primary Examiner*—Bernard Ansher  
*Assistant Examiner*—Sandra Morris  
*Attorney, Agent, or Firm*—Arthur J. Plantamura

[57] **CLAIM**

The ornamental design for a game board, as shown and described.

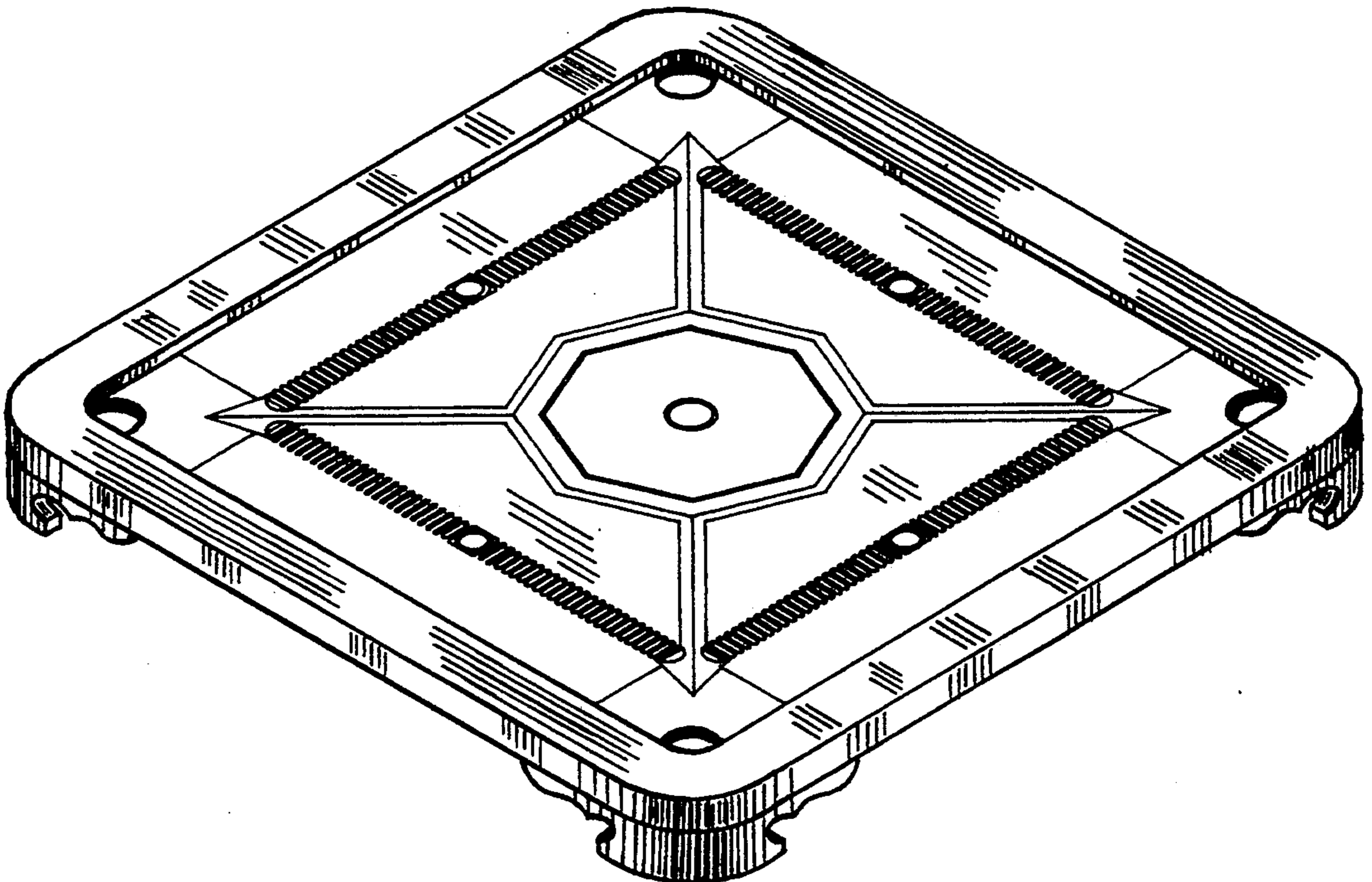
[56] **References Cited**

**U.S. PATENT DOCUMENTS**

D. 29,650	11/1898	Williams	.....	D21/24
D. 71,536	11/1926	Tonkin	.....	D21/34
D. 117,786	11/1939	Gorrias	.....	D21/24
D. 195,415	6/1963	Coghlin	.....	D21/33
D. 288,338	2/1987	Baldwin	.....	D21/31

**DESCRIPTION**

FIG. 1 is a perspective view of the game board, showing my new design;  
FIG. 2 is a top view thereof, the bottom being unornamented; and,  
FIG. 3 is a side elevational view thereof, the other sides being identical.



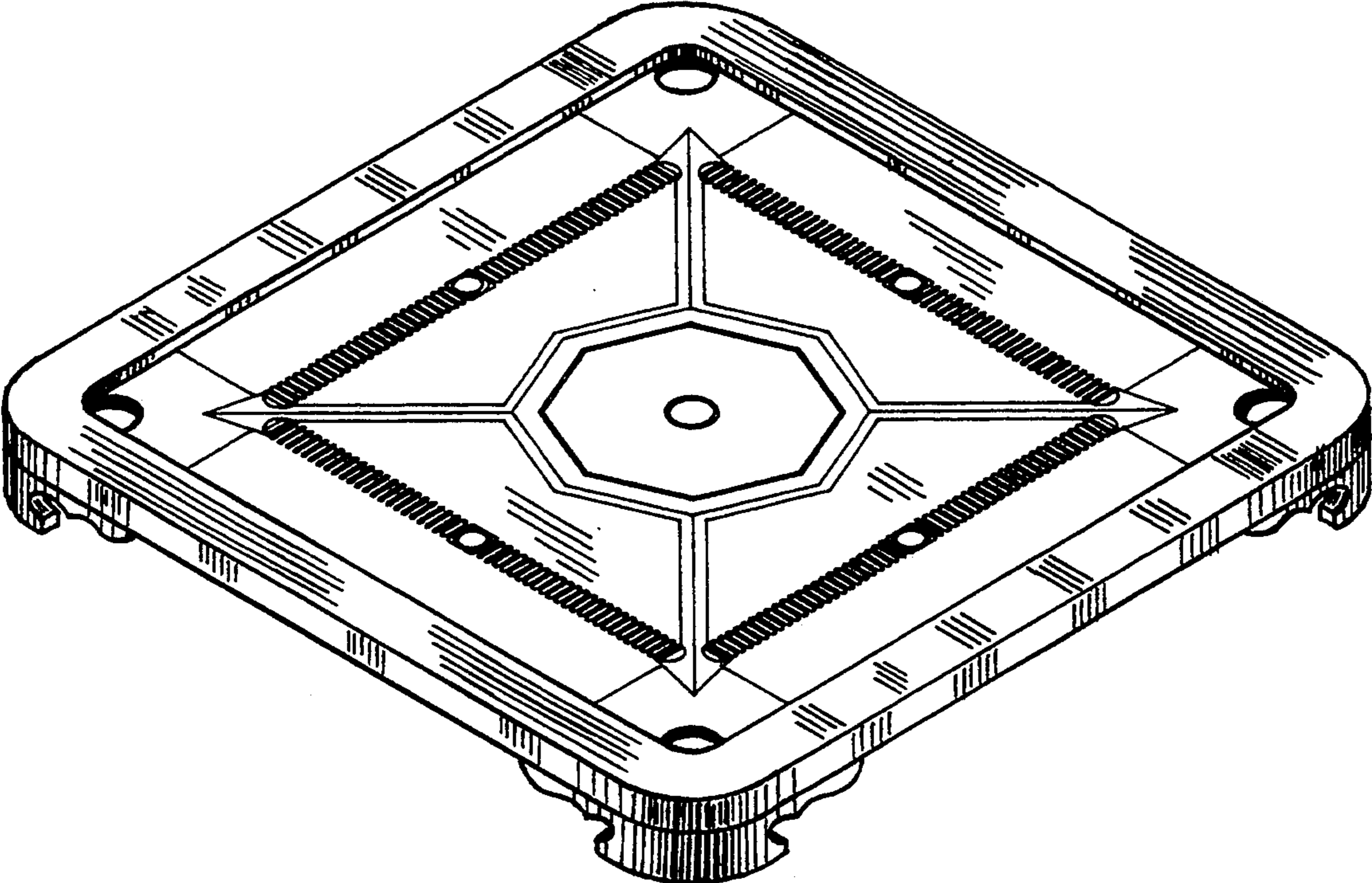


FIG-1

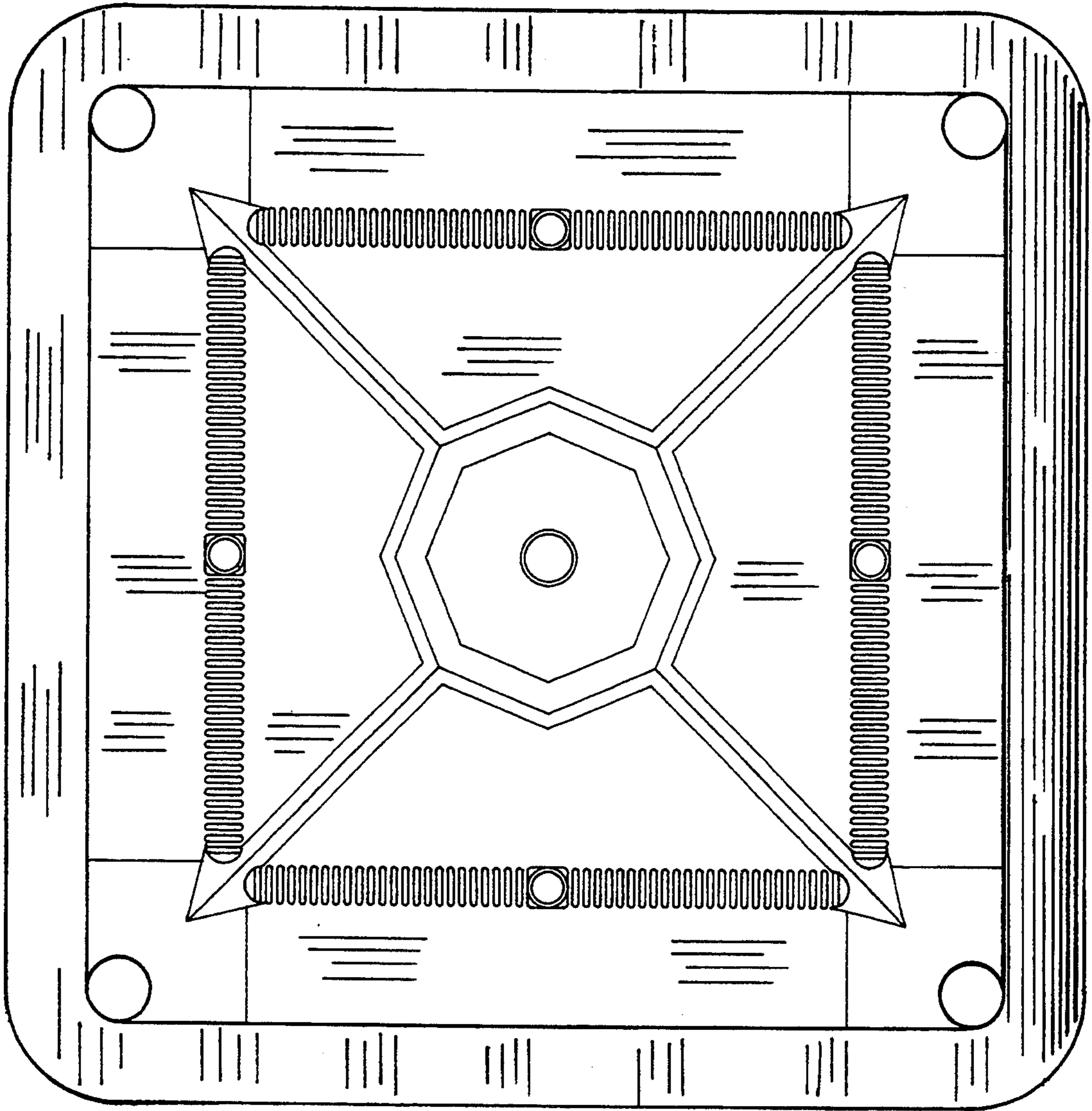


Figure 2

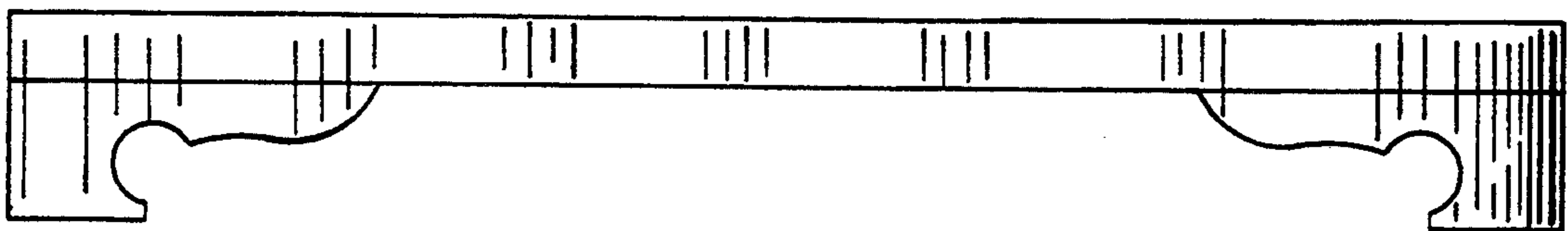


Figure 3