



US00D354520S

United States Patent [19] Pong

[11] Patent Number: **Des. 354,520**
[45] Date of Patent: **** Jan. 17, 1995**

[54] **DISPLAY STAND**
[75] Inventor: **Kai M. Pong, Hong Kong, Hong Kong**
[73] Assignee: **Paper House Limited, Hong Kong**
[**] Term: **14 Years**
[21] Appl. No.: **2,457**
[22] Filed: **Dec. 10, 1992**
[30] **Foreign Application Priority Data**
Jun. 11, 1992 [GB] United Kingdom 2023437
[52] U.S. Cl. **D19/88; D19/91; D6/419**
[58] **Field of Search** D19/75, 52, 65, 78, D19/86, 88, 90, 91, 99, 100; D6/396, 397, 419, 420; 248/441.1, 442.2, 444.1, 445, 446, 447, 450, 453, 454, 455, 458, 460, 462, 465

4,313,589 2/1982 Vega 248/444.1 X

FOREIGN PATENT DOCUMENTS

2596966 10/1987 France 248/444.1

Primary Examiner—Martie Thompson
Attorney, Agent, or Firm—Ostrolenk, Faber, Gerb & Soffen

[57] CLAIM

The ornamental design for a display stand, as shown and described.

DESCRIPTION

FIG. 1 is a front perspective view from the right side and above of a display stand showing my new design; FIG. 2 is a front elevational view thereof in a closed condition; FIG. 3 is a top plan view thereof; FIG. 4 is a bottom plan view thereof; FIG. 5 is a left side view thereof, the opposite view being a mirror image; FIG. 6 is a cross-sectional view thereof along the line 6—6 of FIG. 2; and, FIG. 7 is a rear view thereof.

[56] **References Cited**
U.S. PATENT DOCUMENTS
D. 268,424 3/1983 Shuman D20/40
D. 271,501 11/1983 Manning et al. D19/86 X

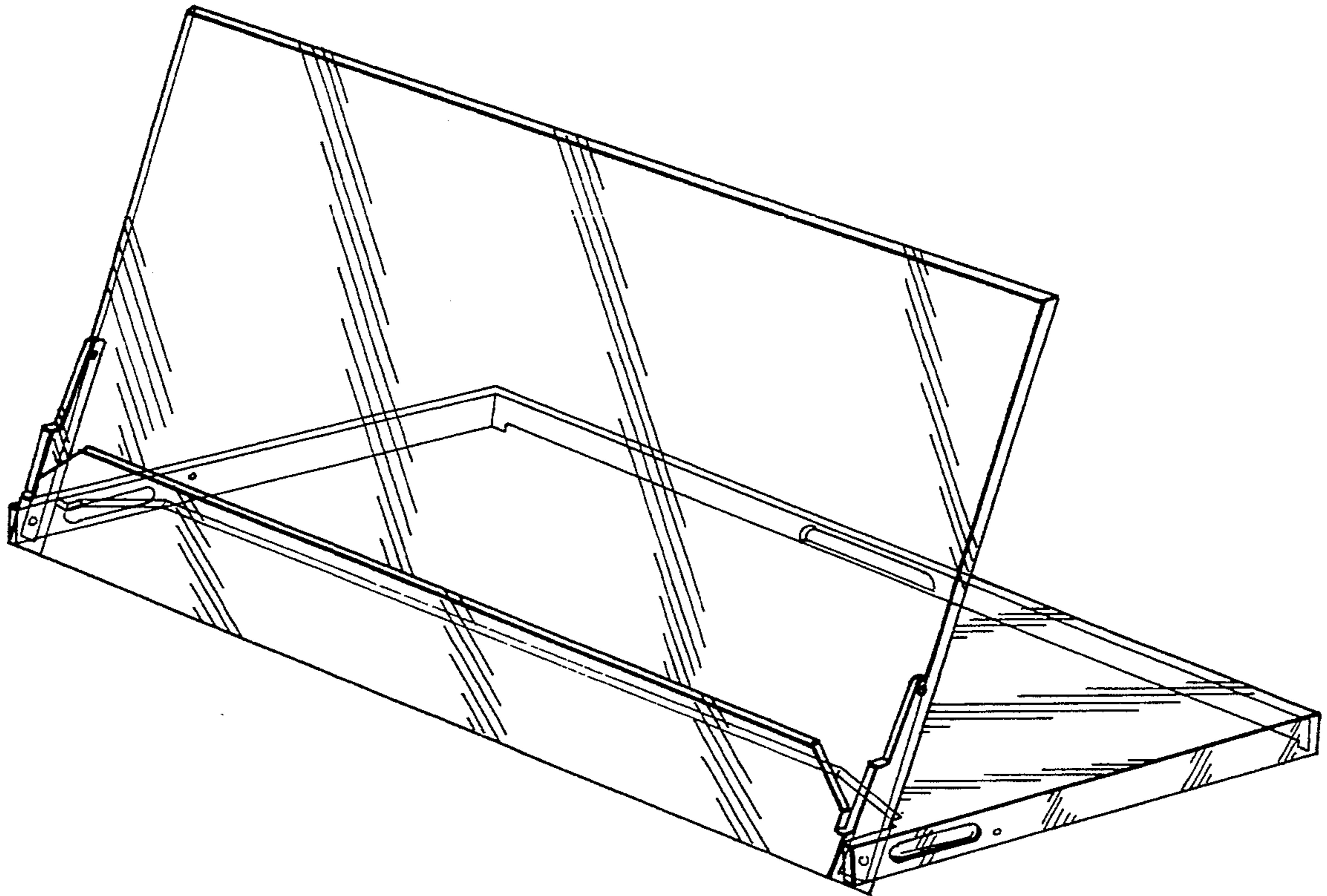
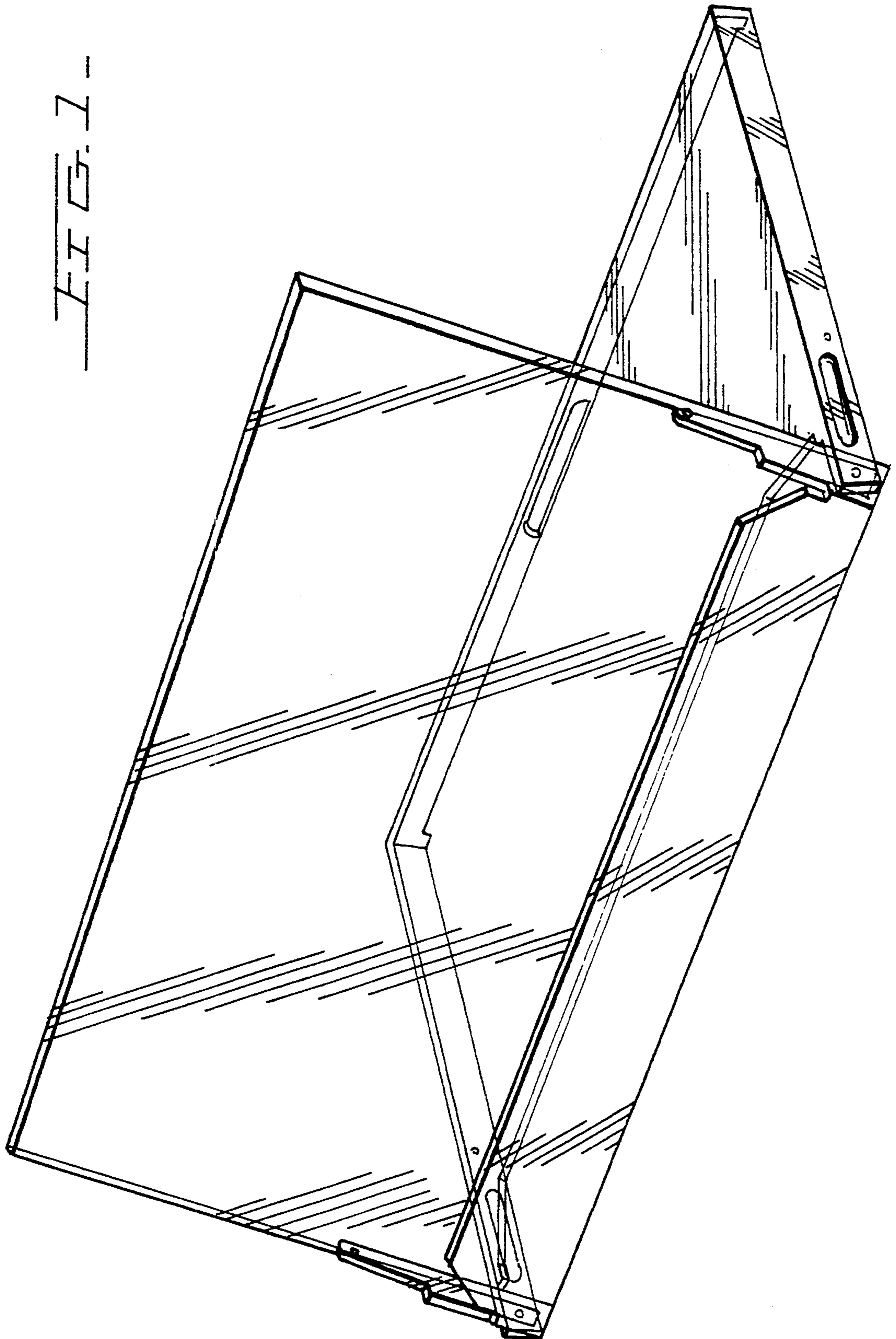


FIG. 1



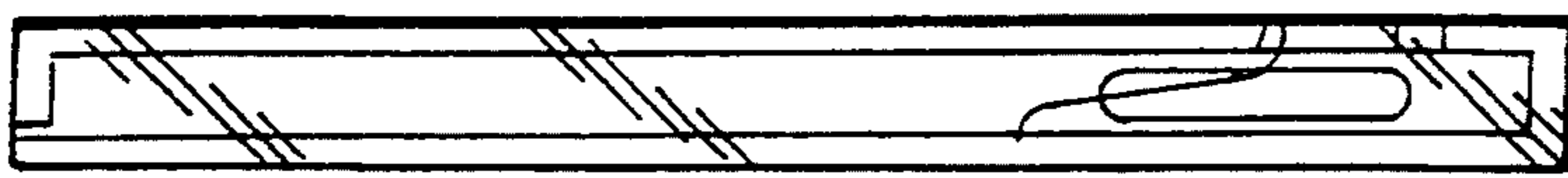
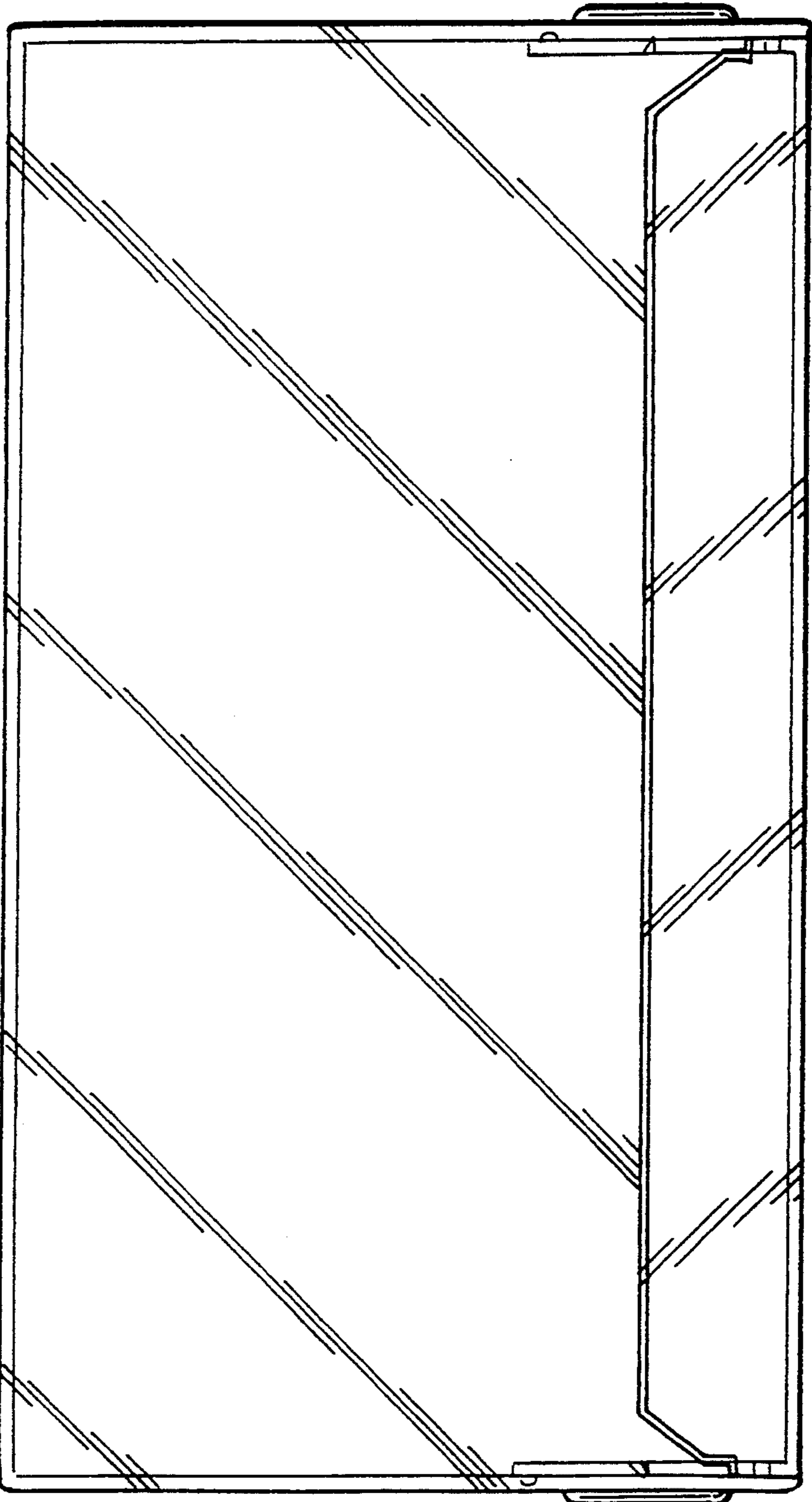
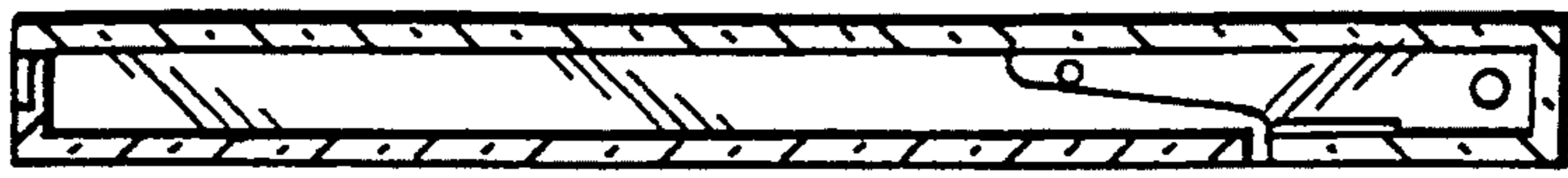
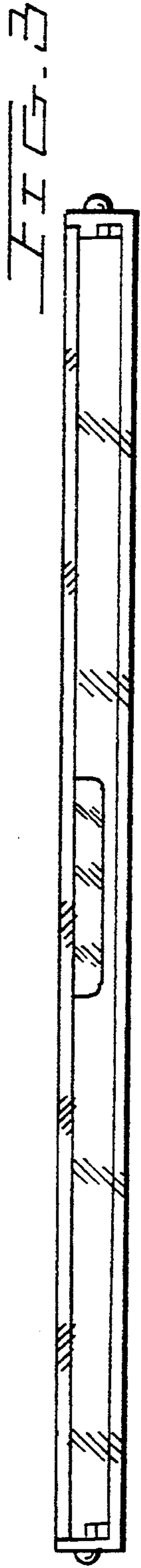


FIG. 5

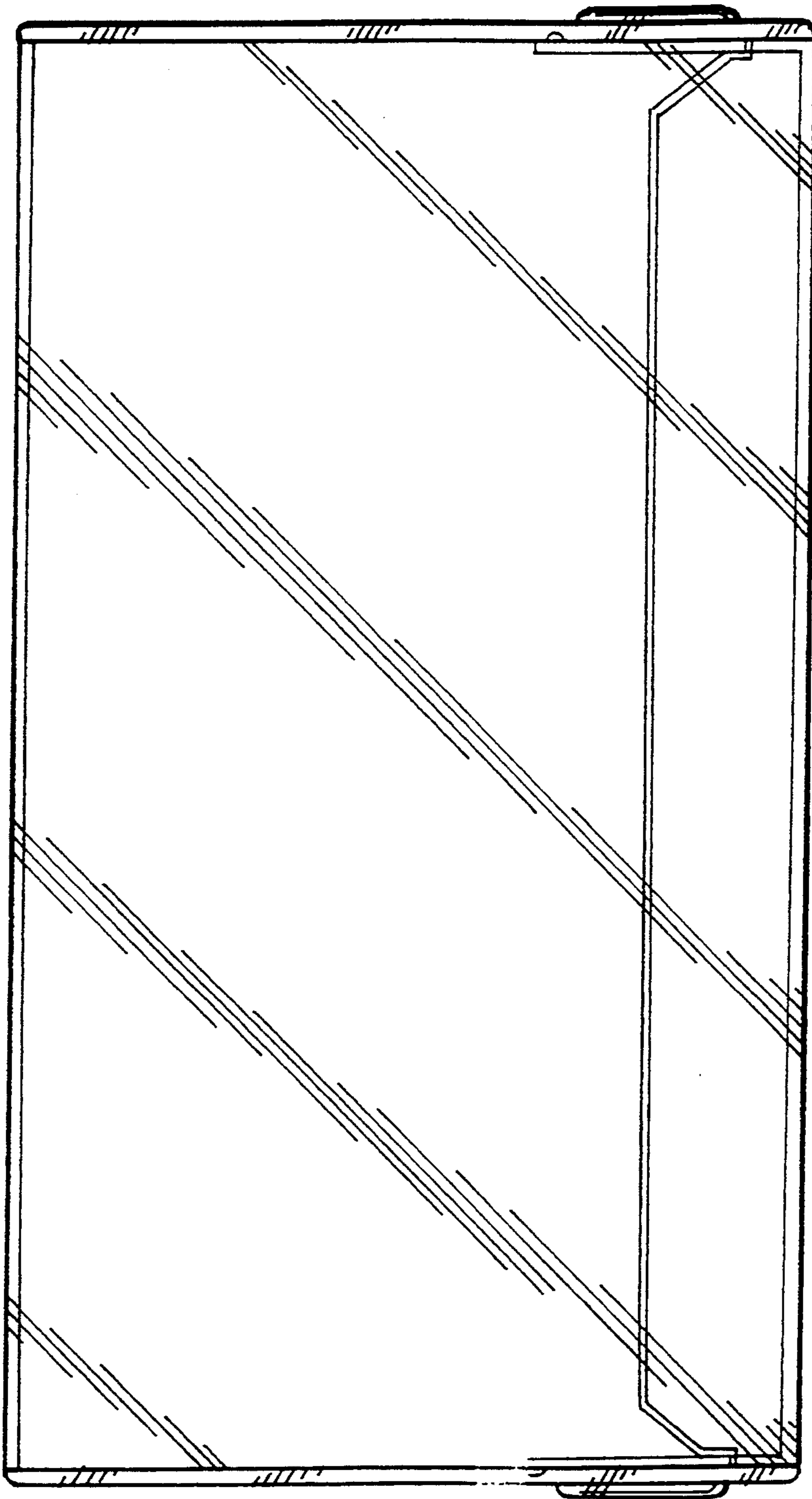


FIG. 7.