



US00D354515S

United States Patent [19]

Vu

[11] Patent Number: **Des. 354,515**

[45] Date of Patent: **** Jan. 17, 1995**

[54] **TAPE DISPENSER**

4,175,685 11/1979 Niles 225/19

[75] Inventor: **Robert B. Vu**, Houston, Tex.

Primary Examiner—Martie Thompson
Attorney, Agent, or Firm—Marsteller & Associates

[73] Assignee: **Shiang Shin International, Inc.**,
Houston, Tex.

[57] **CLAIM**

[**] Term: **14 Years**

The ornamental design for a tape dispenser, as shown and described.

[21] Appl. No.: **16,149**

DESCRIPTION

[22] Filed: **Dec. 9, 1993**

[52] U.S. Cl. **D19/69; D19/67**

[58] Field of Search **D19/65, 67, 68, 69;**
225/6, 7, 11, 12, 19, 34, 35, 45, 56, 65, 77, 83,
89; 256/327; 206/411; 312/39

FIG. 1 is a perspective view of a tape dispenser showing my new design, with the tape roll spindle removed for convenience of illustration;

FIG. 2 is a right side elevational view with a tape roll spindle inserted, the left side of the tape dispenser being a mirror image of the right side;

FIG. 3 is a top plan view of the dispenser of FIG. 2;

FIG. 4 is a bottom plan view of the dispenser of FIG. 2;

FIG. 5 is an exploded perspective view of the tape roll spindle with the dispenser body removed for convenience of illustration;

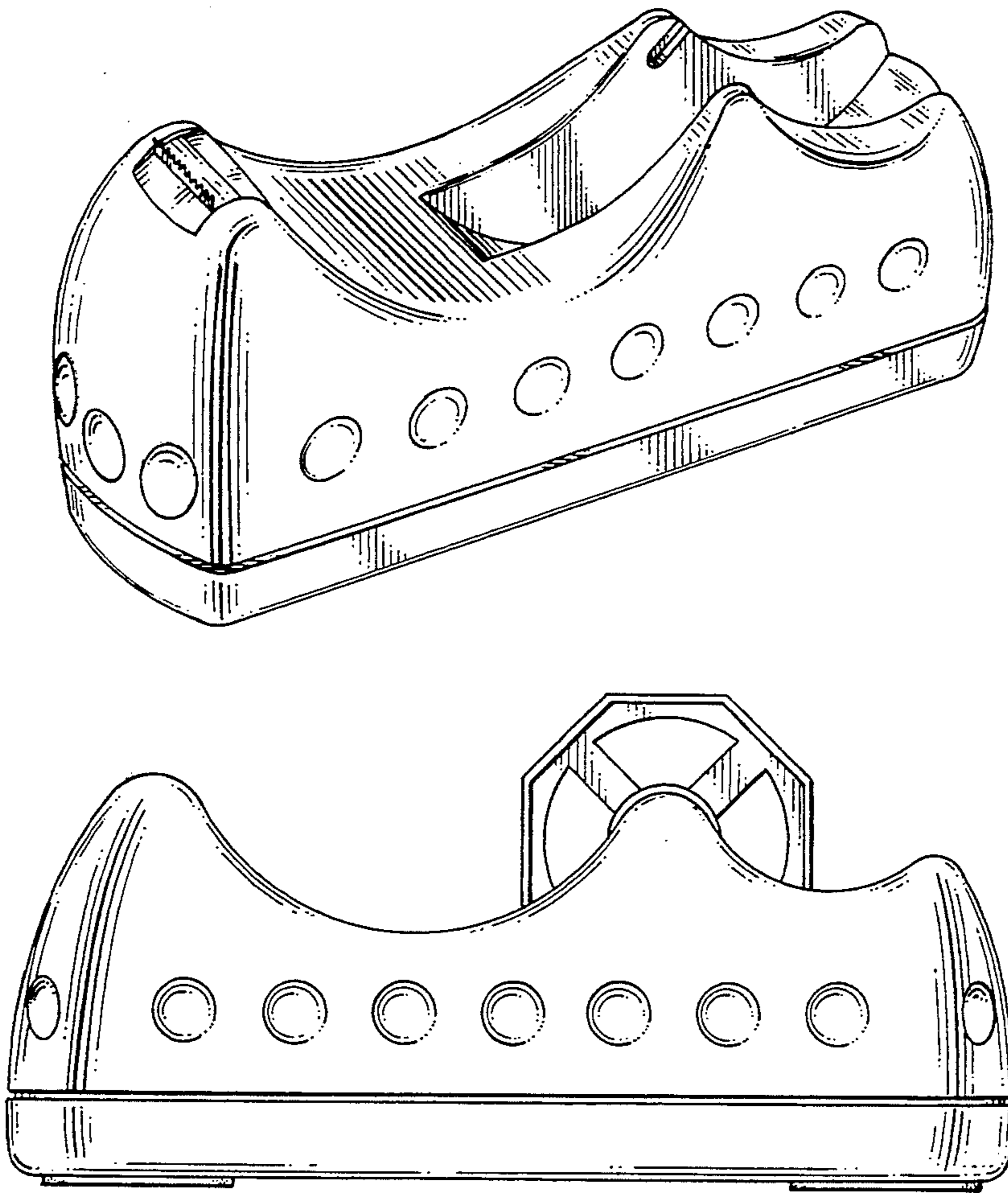
FIG. 6 is a front elevational view of the dispenser of FIG. 2; and,

FIG. 7 is a rear elevational view of the dispenser of FIG. 2.

[56] **References Cited**

U.S. PATENT DOCUMENTS

D. 53,938	10/1919	Shanklin	D19/67 X
D. 135,165	3/1943	Schieman	D19/69
D. 190,781	6/1961	Reinecke	D19/69
D. 248,561	7/1978	Deering, Jr.	D19/69
D. 289,180	4/1987	Crawford et al. .	
D. 318,690	7/1991	Huang	D19/69
2,305,592	12/1942	Anderson	D19/69 X



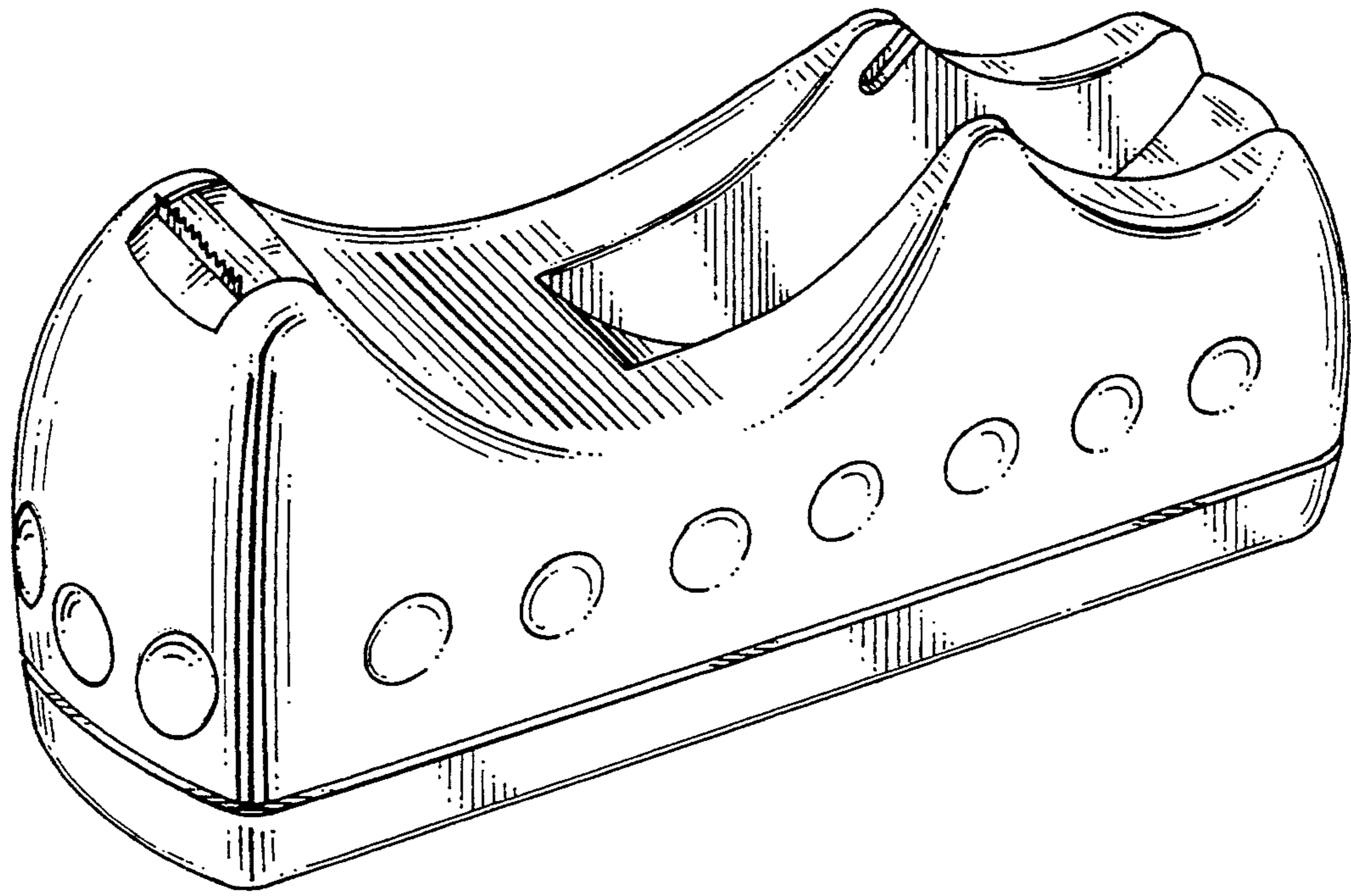


FIG. 1

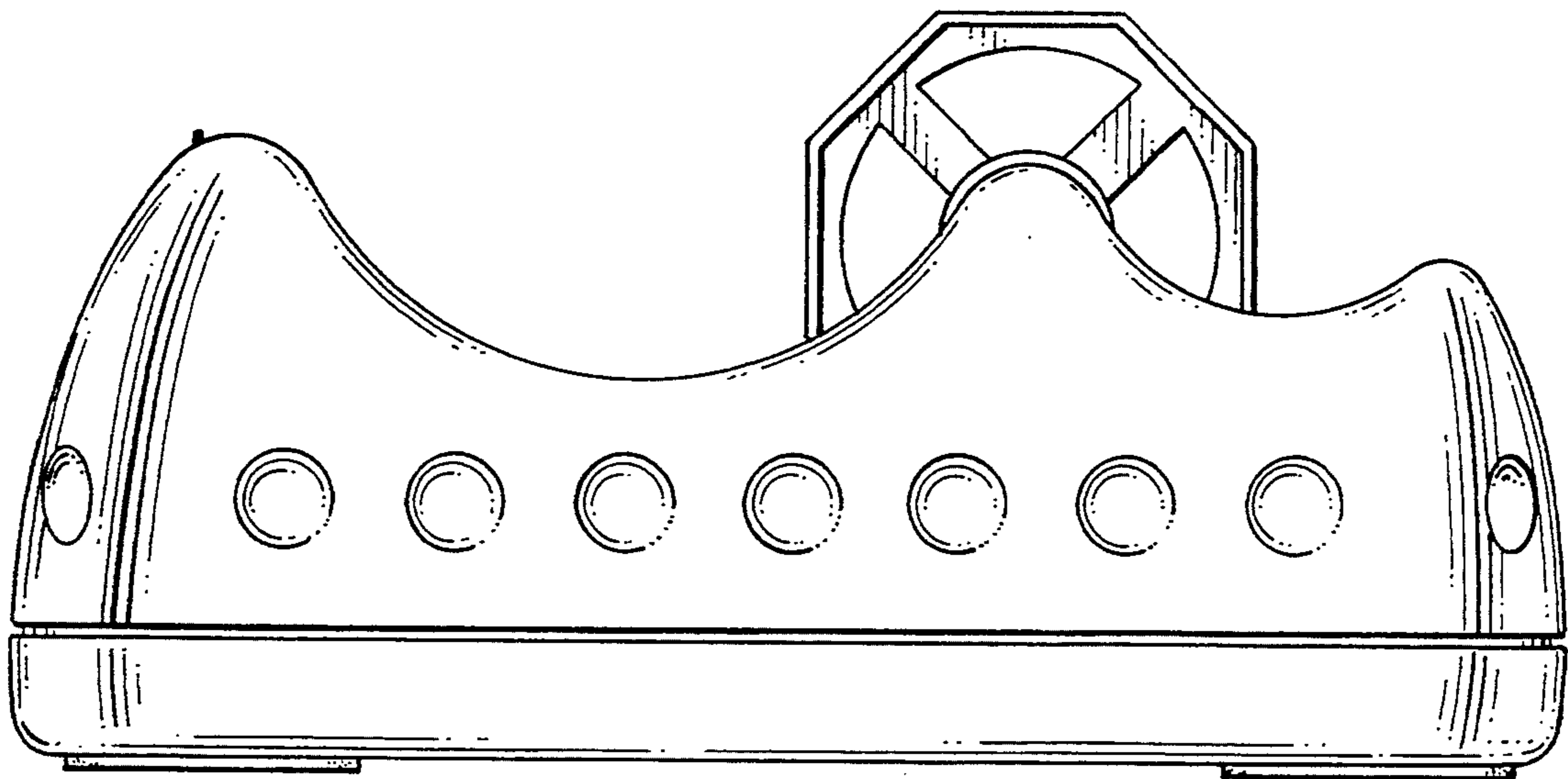


FIG. 2

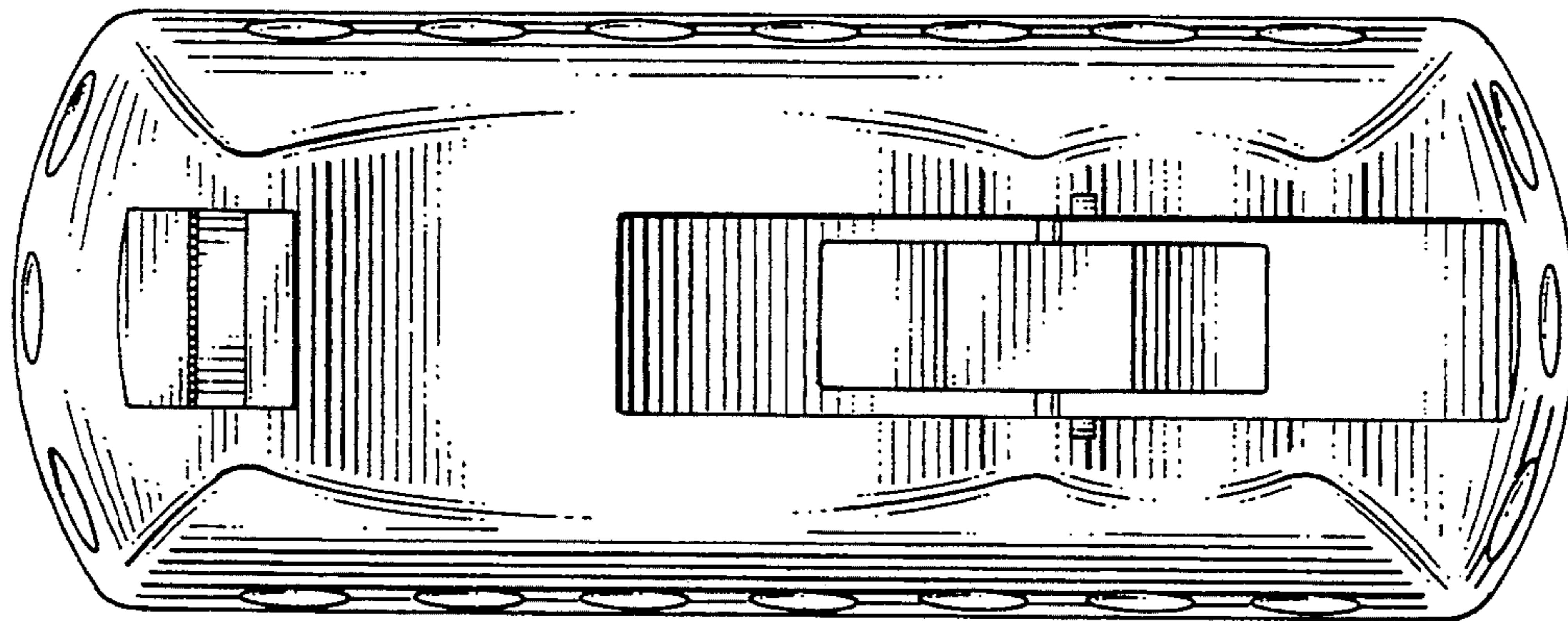


FIG. 3

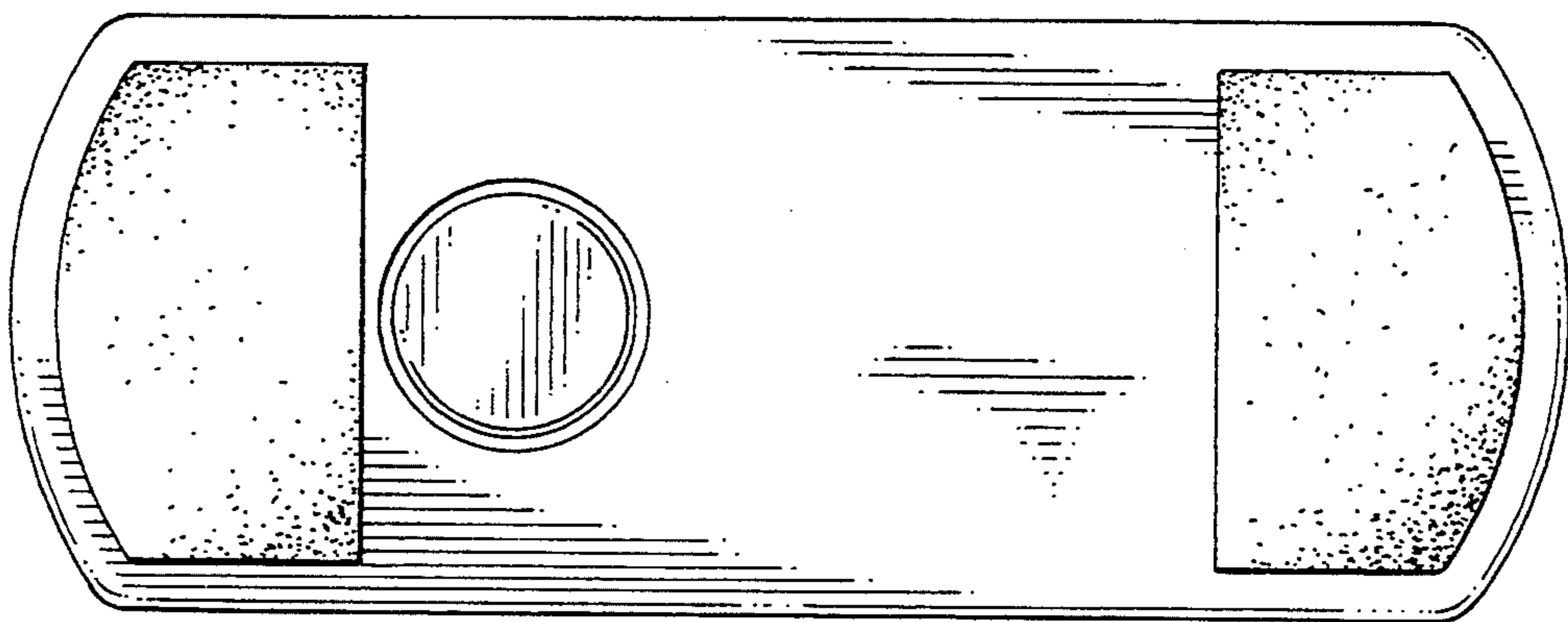


FIG. 4

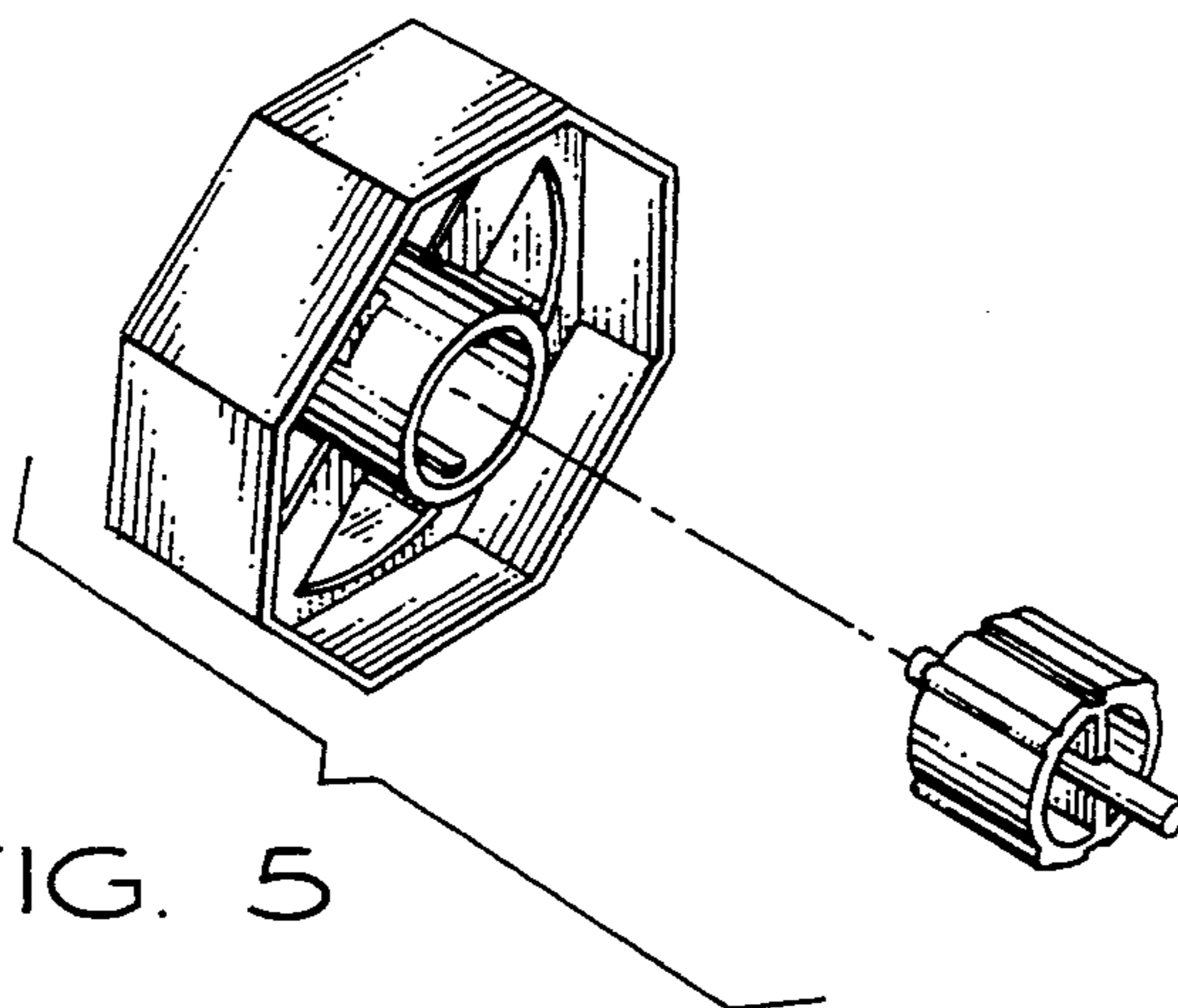


FIG. 5

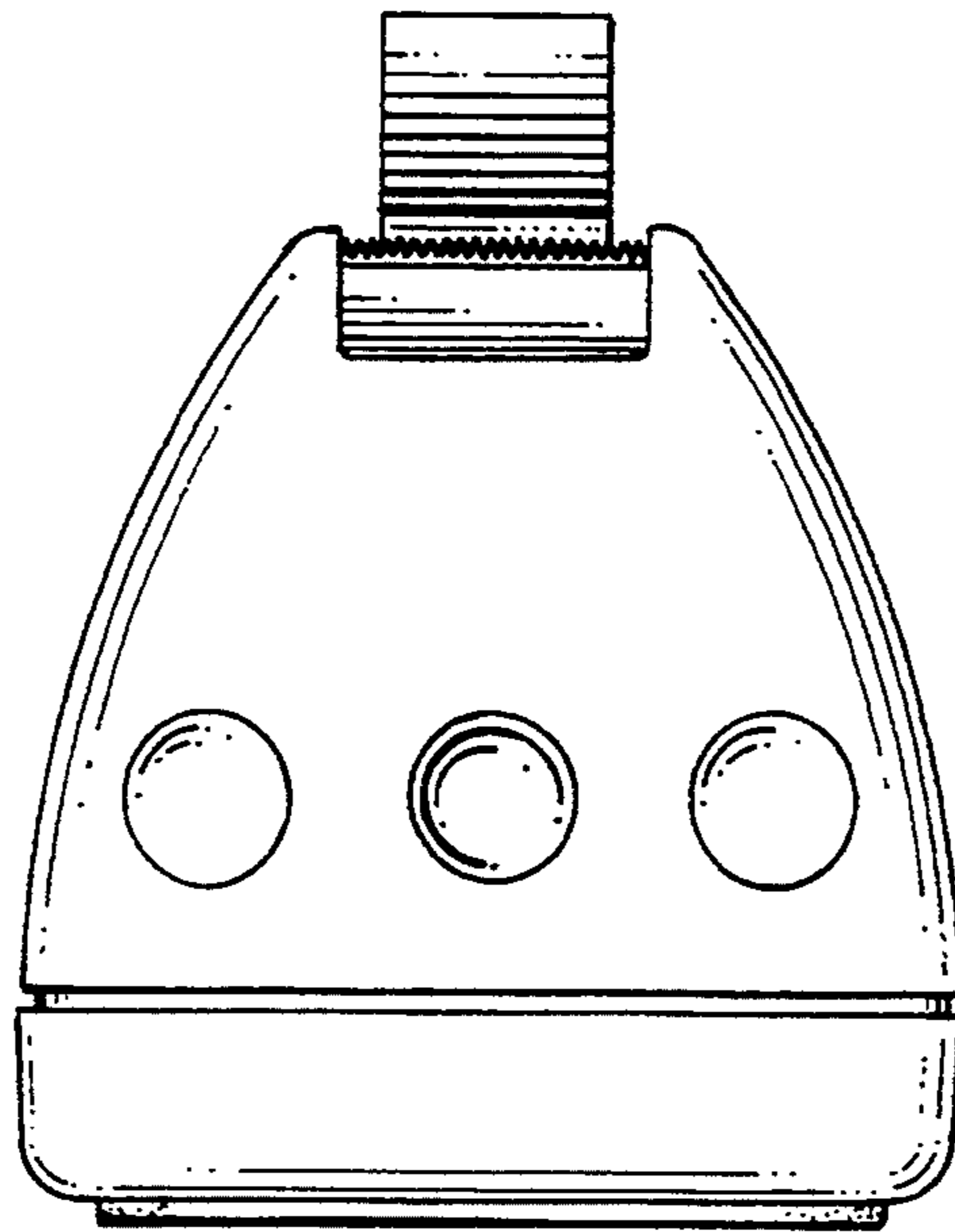


FIG. 6

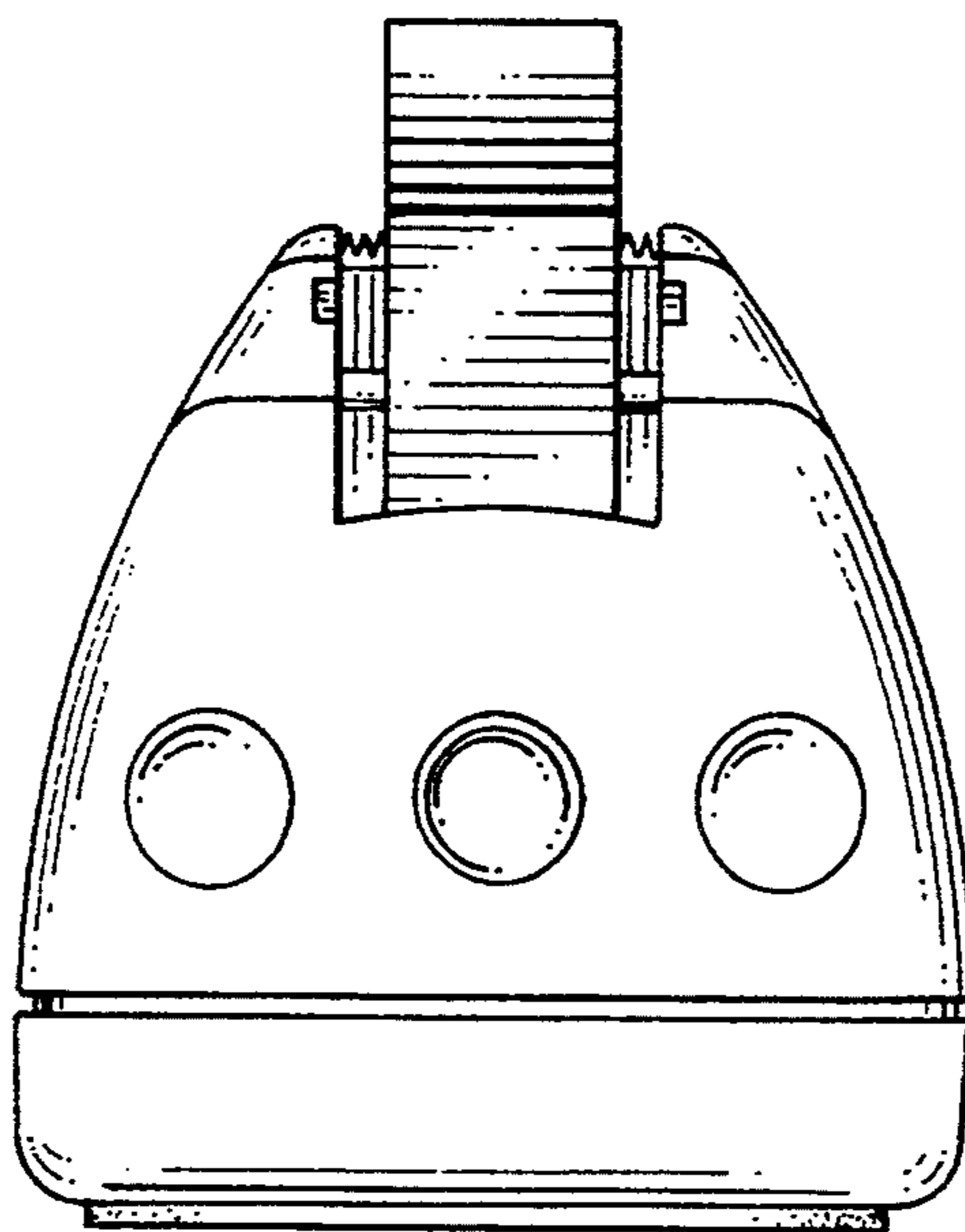


FIG. 7