



US00D354512S

United States Patent [19]

[11] Patent Number: **Des. 354,512**

Meister, Jr.

[45] Date of Patent: **** Jan. 17, 1995**

[54] FOLDER MODULE

[75] Inventor: **Herbert E. Meister, Jr.**, Naugatuck, Conn.

[73] Assignee: **Pitney Bowes Inc.**, Stamford, Conn.

[**] Term: **14 Years**

[21] Appl. No.: **12,301**

[22] Filed: **Aug. 27, 1993**

[52] U.S. Cl. **D18/99**

[58] Field of Search D10/97; D15/145, 147, D15/199; D18/46, 47, 48, 49, 99; D34/29; 209/584, 900; 364/464.01, 464.02, 464.03, 918.52, DIG. 1, DIG. 2; 395/600; 177/25.15, 438-440

D. 309,617	7/1990	Bain	D15/199
4,876,956	10/1989	Riley et al.	364/464.02 X
4,956,782	9/1990	Freeman et al.	364/464.02 X
5,122,962	6/1992	Gilham	364/464.02
5,233,532	8/1993	Ramsden	364/464.02 X

Primary Examiner—Alan P. Douglas
Assistant Examiner—Antoine D. Davis
Attorney, Agent, or Firm—Charles R. Malandra, Jr.;
Melvin J. Scolnick

[57] CLAIM

The ornamental design for a folder module, as shown and described.

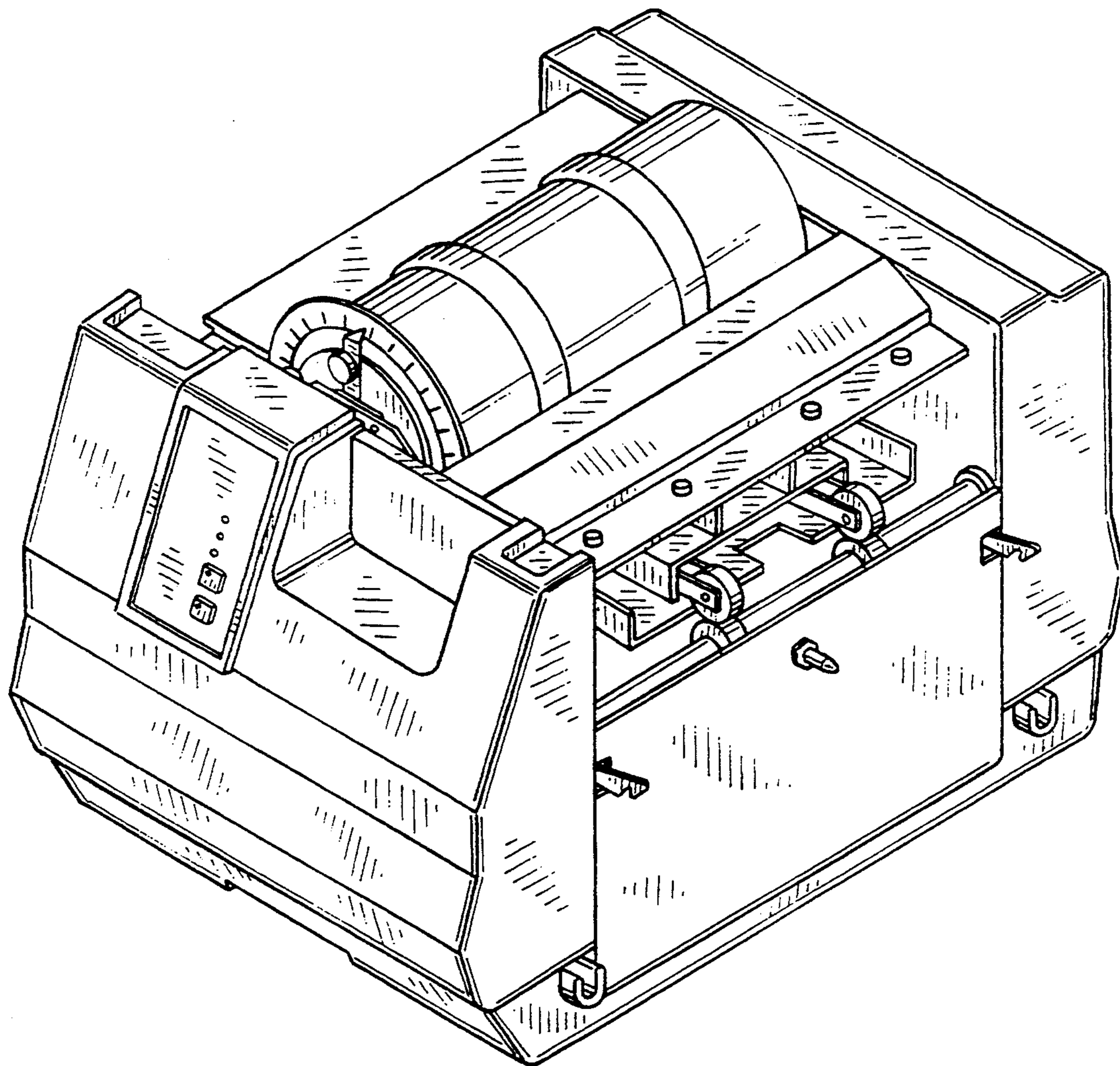
DESCRIPTION

FIG. 1 is a top, front and left side perspective view of a folder module showing my new design;
FIG. 2 is a top plan view thereof;
FIG. 3 is a left elevational view thereof;
FIG. 4 is a front side elevational view thereof;
FIG. 5 is a rear side elevational view thereof; and,
FIG. 6 is a right side elevational view thereof.

[56] References Cited

U.S. PATENT DOCUMENTS

D. 243,712	3/1977	Morris et al.	D15/145 X
D. 309,472	7/1990	Nishida	D18/99



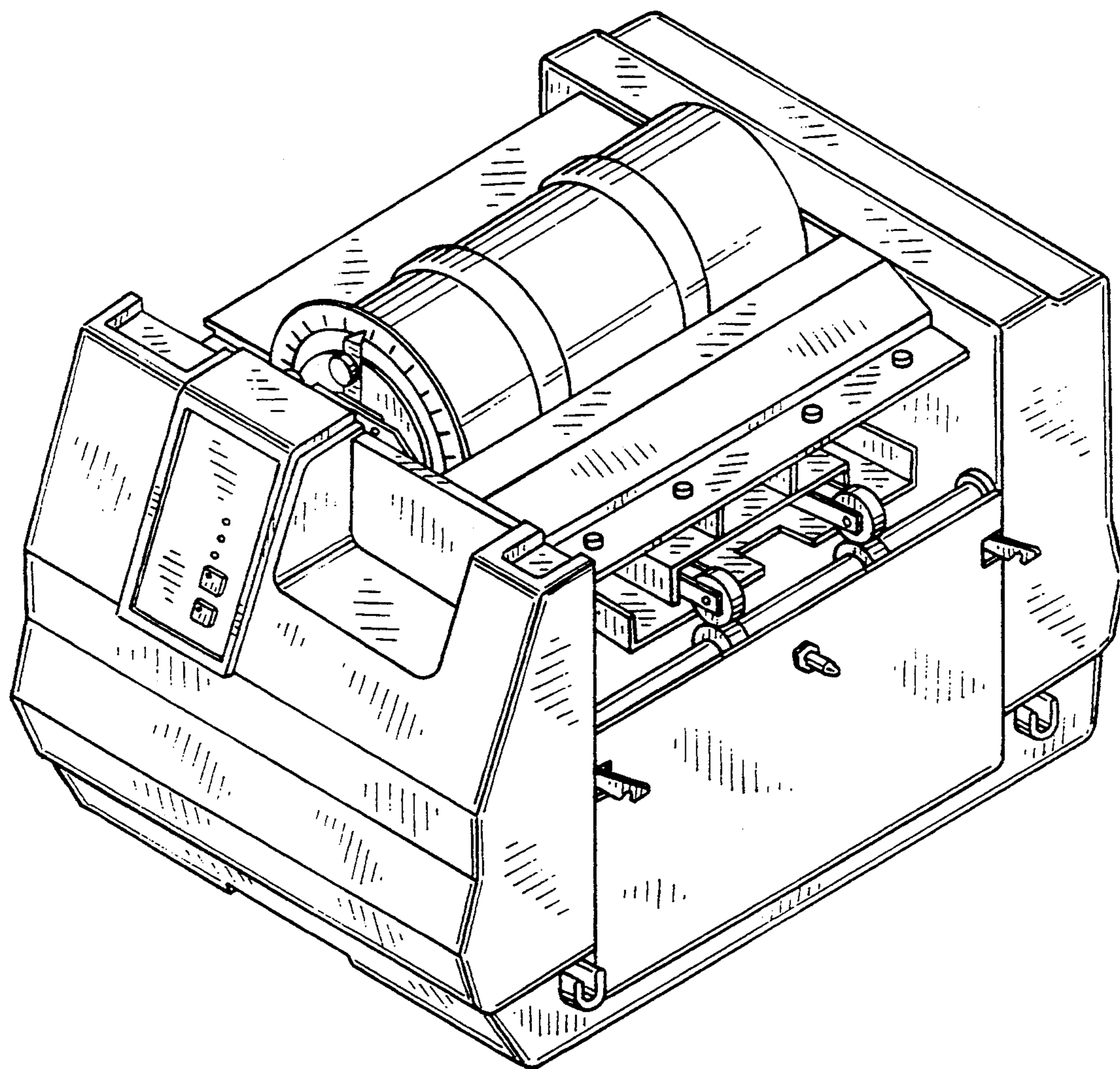


FIG. 1

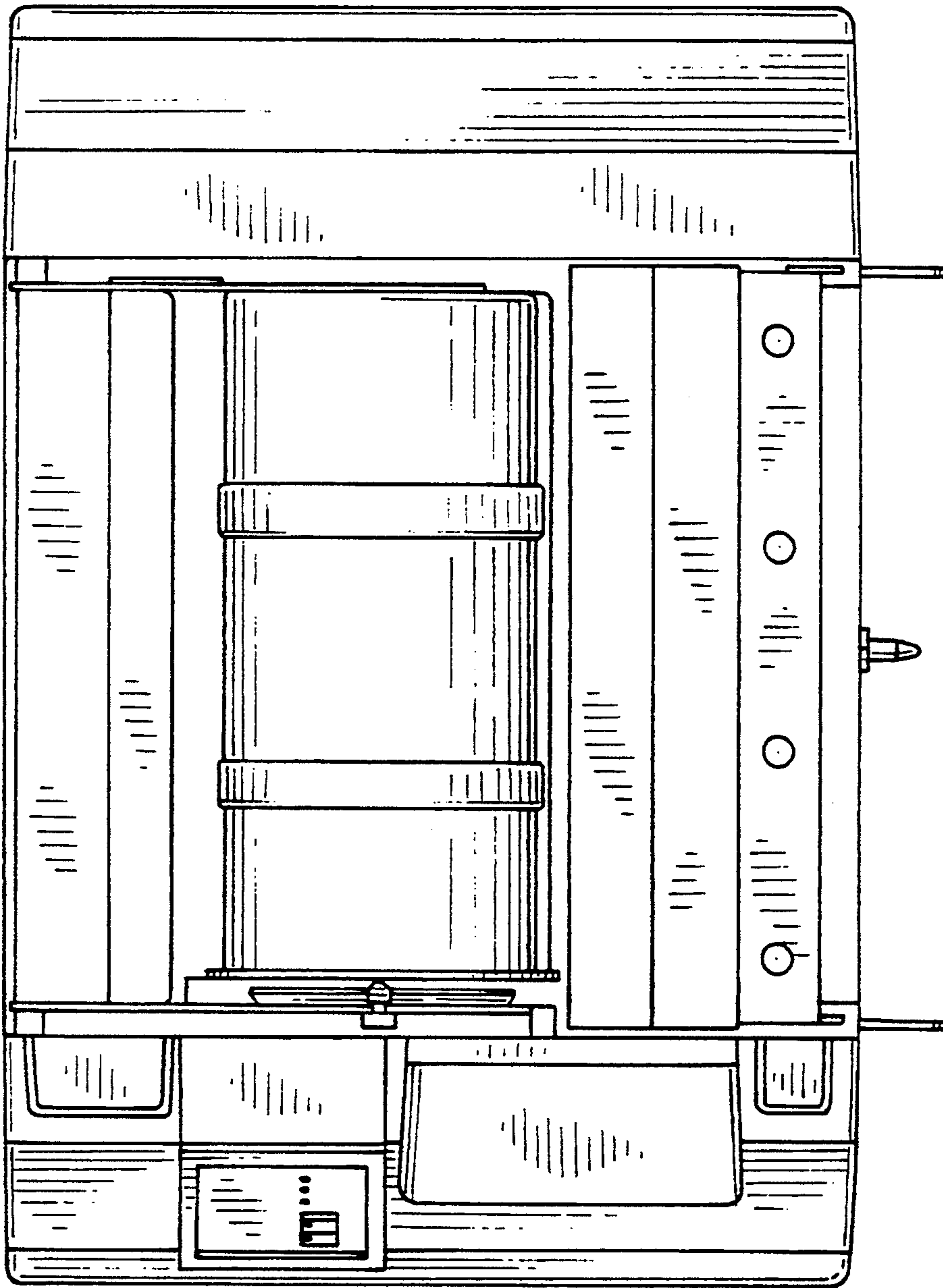


FIG. 2

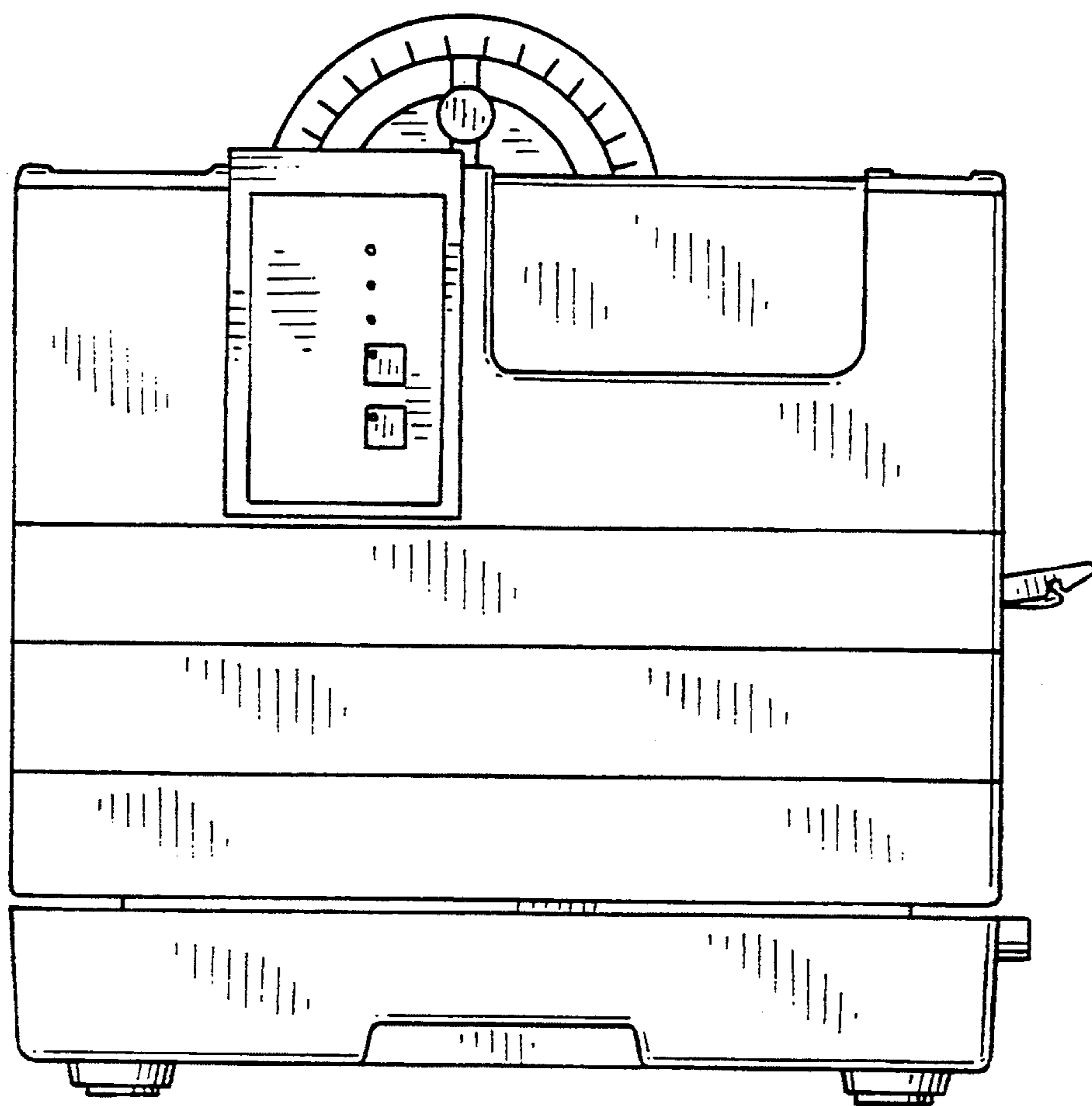


FIG. 3

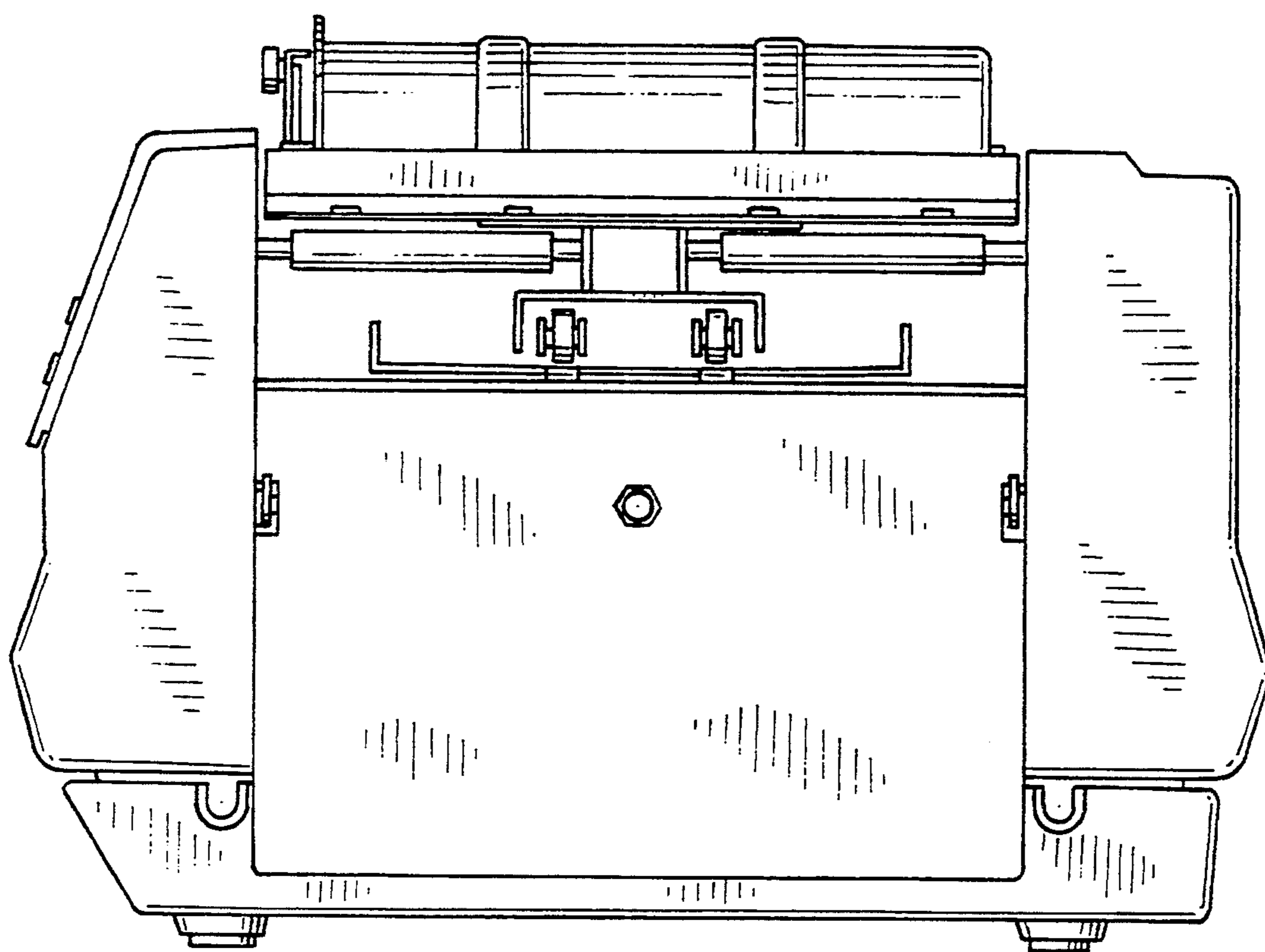


FIG. 4

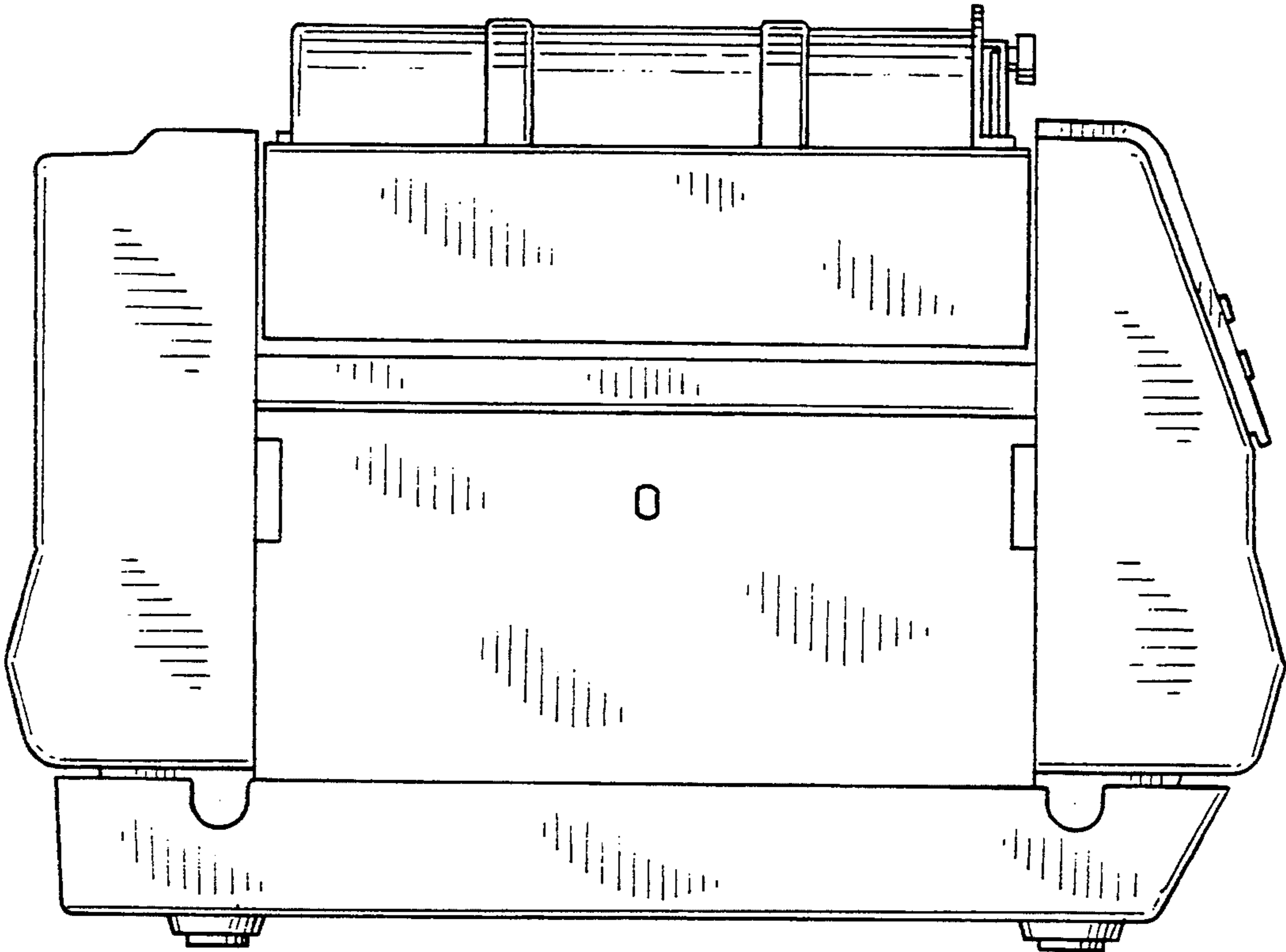


FIG. 5

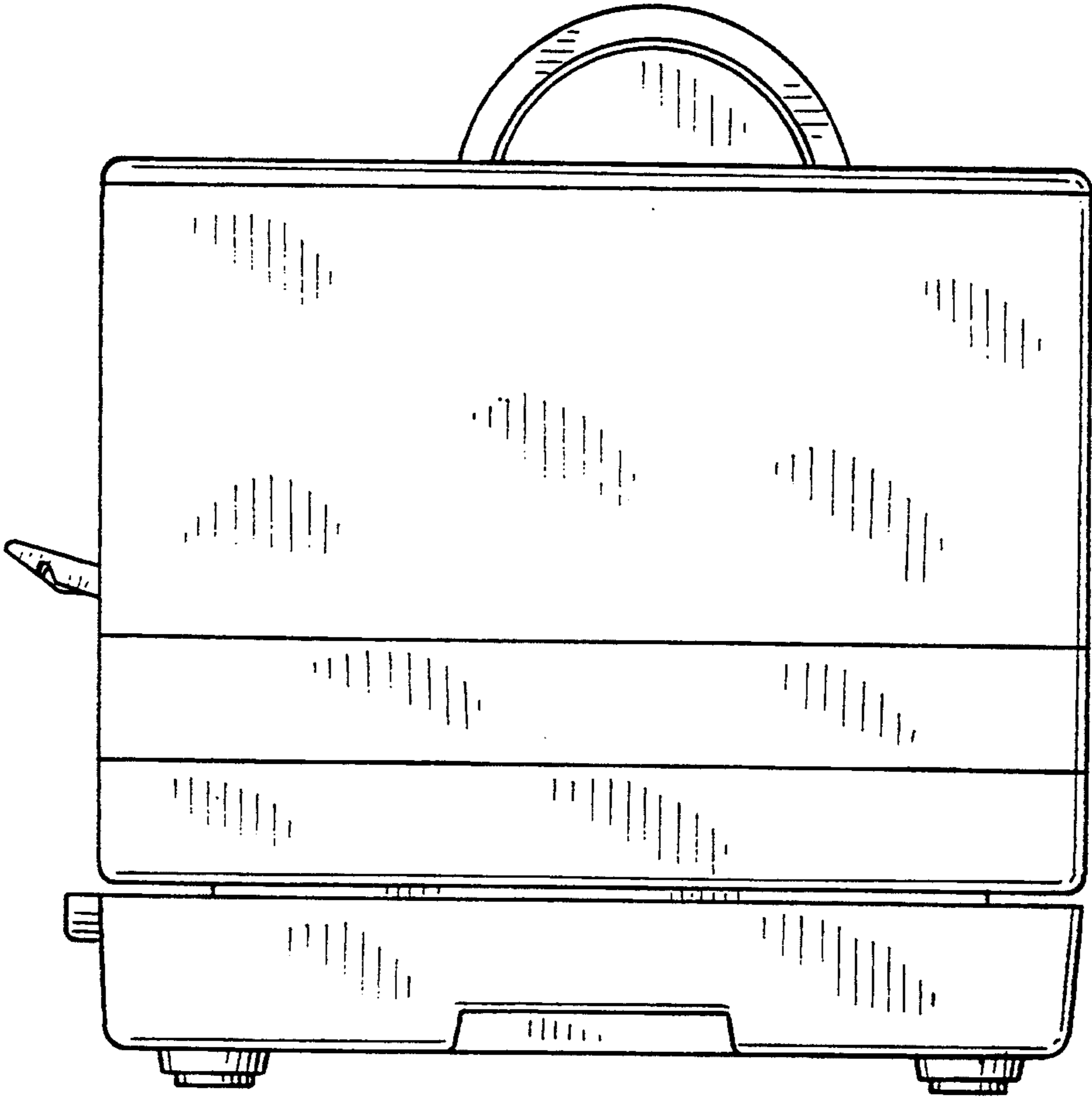


FIG. 6