



US00D354508S

United States Patent [19]

[11] Patent Number: **Des. 354,508**

Vogel

[45] Date of Patent: **** Jan. 17, 1995**

[54] **PNEUMATICALLY PROPELLED CAPTIVE CARRIER**

[75] Inventor: **Victor J. Vogel, Oakridge, N.J.**

[73] Assignee: **Mosler Inc., Hamilton, Ohio**

[**] Term: **14 Years**

[21] Appl. No.: **4,216**

[22] Filed: **Jan. 28, 1993**

[52] U.S. Cl. **D18/35**

[58] Field of Search **D18/35; 138/DIG. 8; 406/110-112, 189, 188, 187**

[56] **References Cited**

U.S. PATENT DOCUMENTS

D. 278,638	4/1985	Kraemer	D18/35
D. 338,225	8/1993	Vogel	D18/35
4,512,688	4/1985	Hochradel	406/111
4,715,750	12/1987	Podoll et al.	406/111
4,930,941	6/1990	Willey et al.	406/112
5,131,792	7/1992	Grosswiller et al.	406/112

FOREIGN PATENT DOCUMENTS

2251840	7/1992	United Kingdom	406/111
2259899	3/1993	United Kingdom	406/110

Primary Examiner—Cathy Anne MacCormac
Attorney, Agent, or Firm—Wood, Herron & Evans

[57] **CLAIM**

The ornamental design for a pneumatically propelled captive carrier, as shown and described.

DESCRIPTION

FIG. 1 is a perspective view of the top, left side and front of the ornamental design for a pneumatically propelled captive carrier of this invention, showing the cover thereof in its closed position;

FIG. 2 is a perspective view of the top, left side and front of the ornamental design for a pneumatically propelled captive carrier of this invention, showing the cover thereof in its open position;

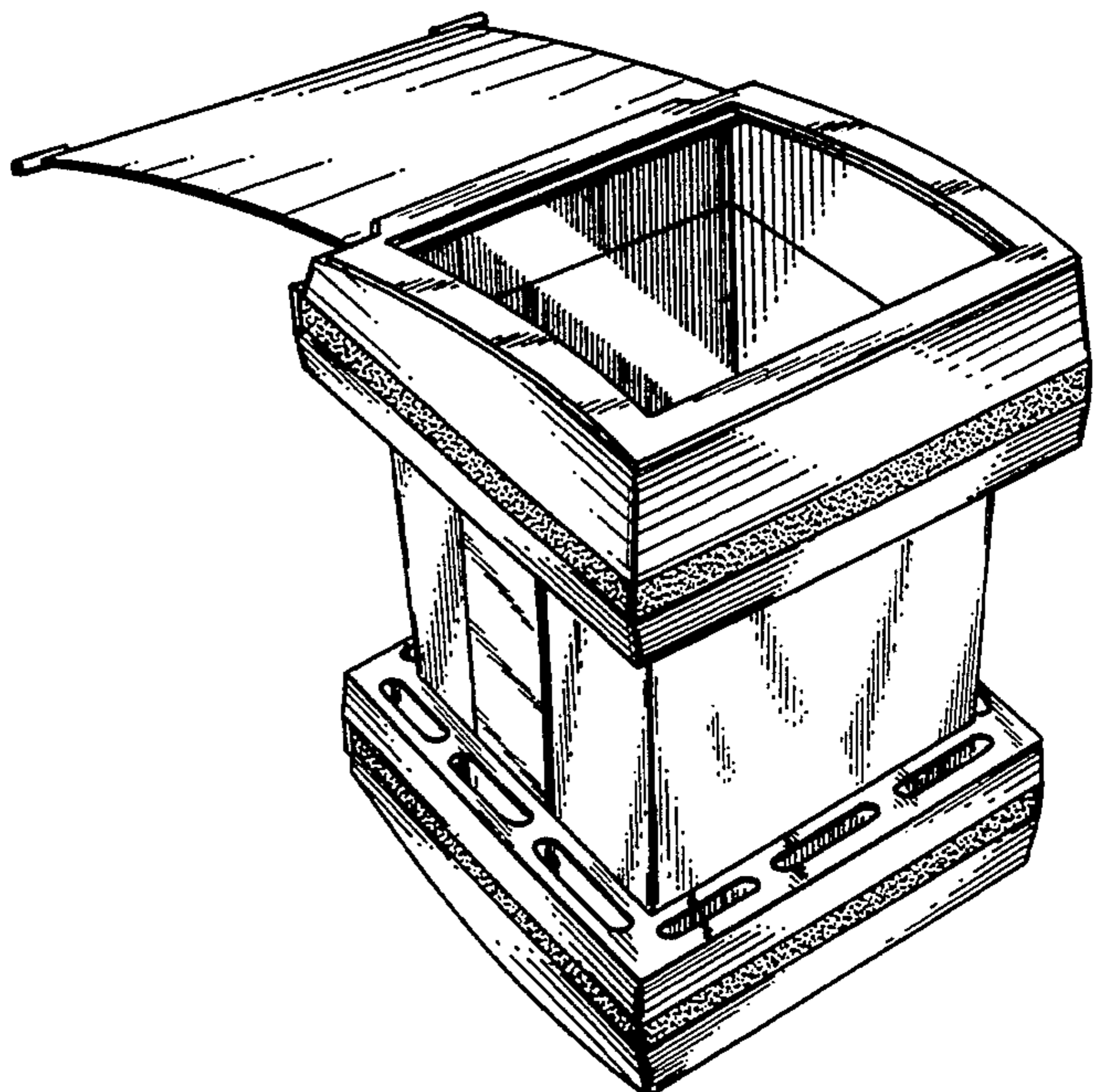
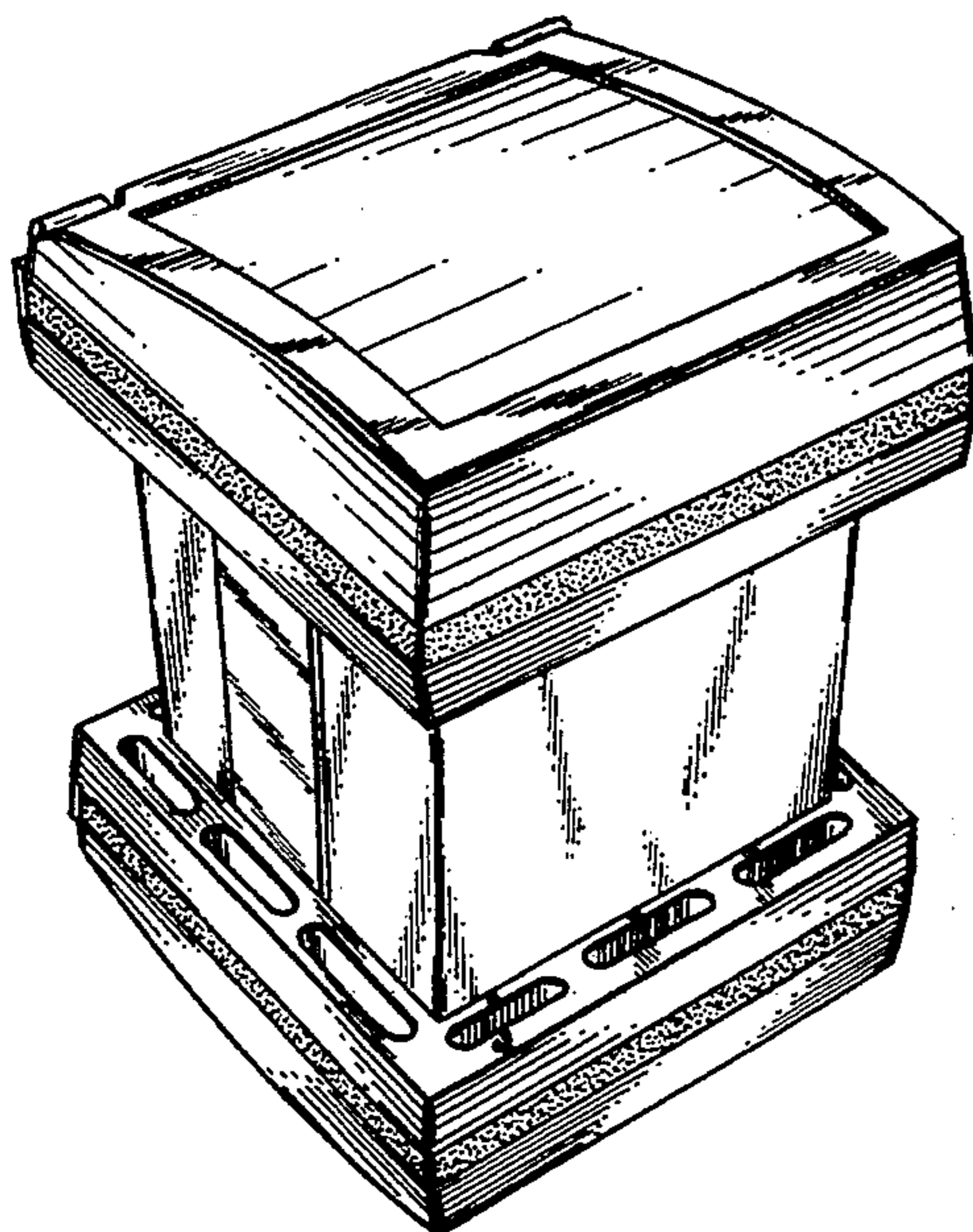
FIG. 3 is a front elevational view of FIG. 1;

FIG. 4 is a right side elevational view thereof, with the left side elevational view being a mirror image thereof;

FIG. 5 is a rear elevational view thereof;

FIG. 6 is a top plan view thereof, showing the cover closed, with the bottom plan view, with its cover closed, being a mirror image thereof; and,

FIG. 7 is a top plan view thereof, showing the cover open, with the bottom plan thereof, with its cover open, being a mirror image thereof.



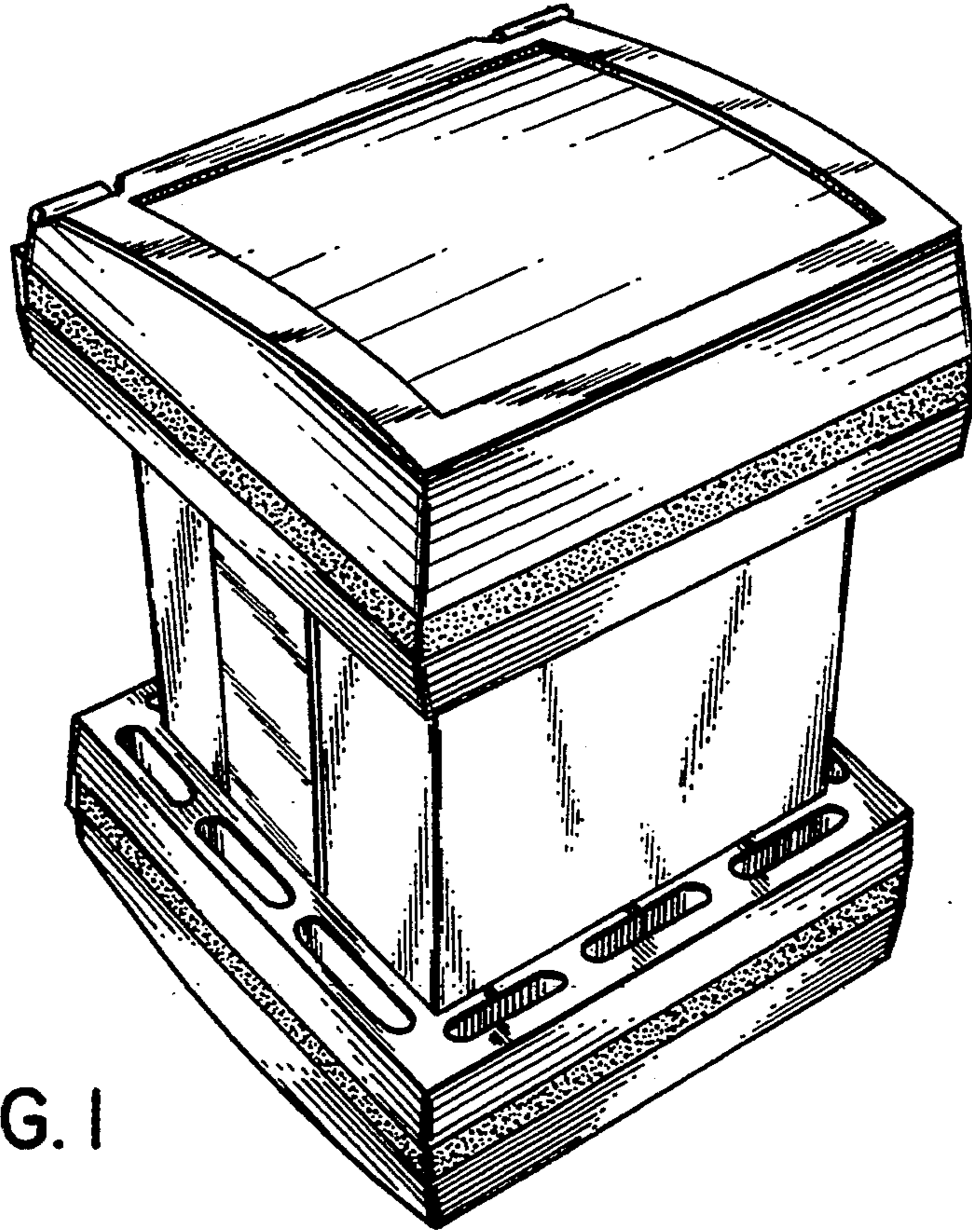


FIG. 1

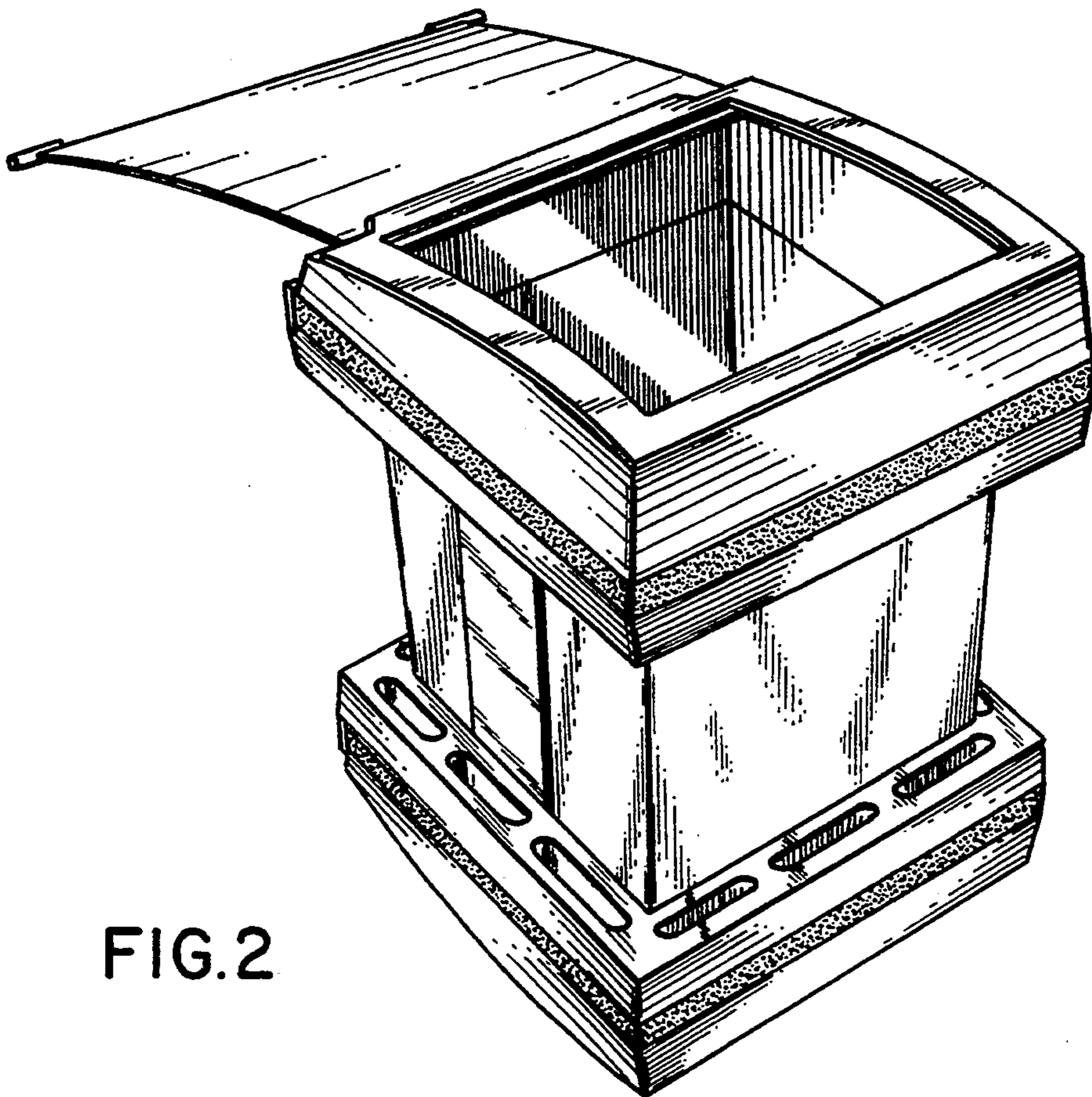


FIG. 2

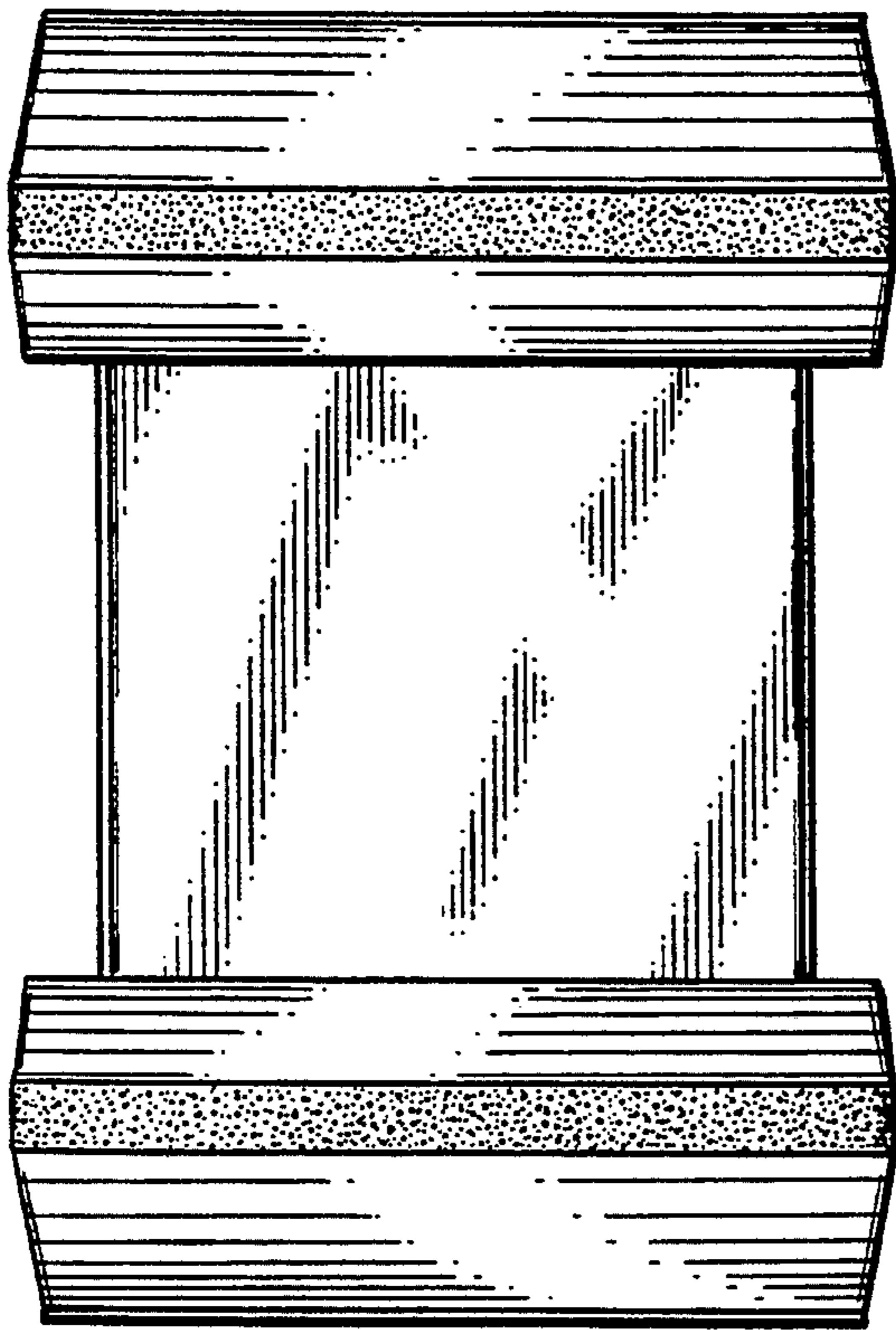


FIG. 3

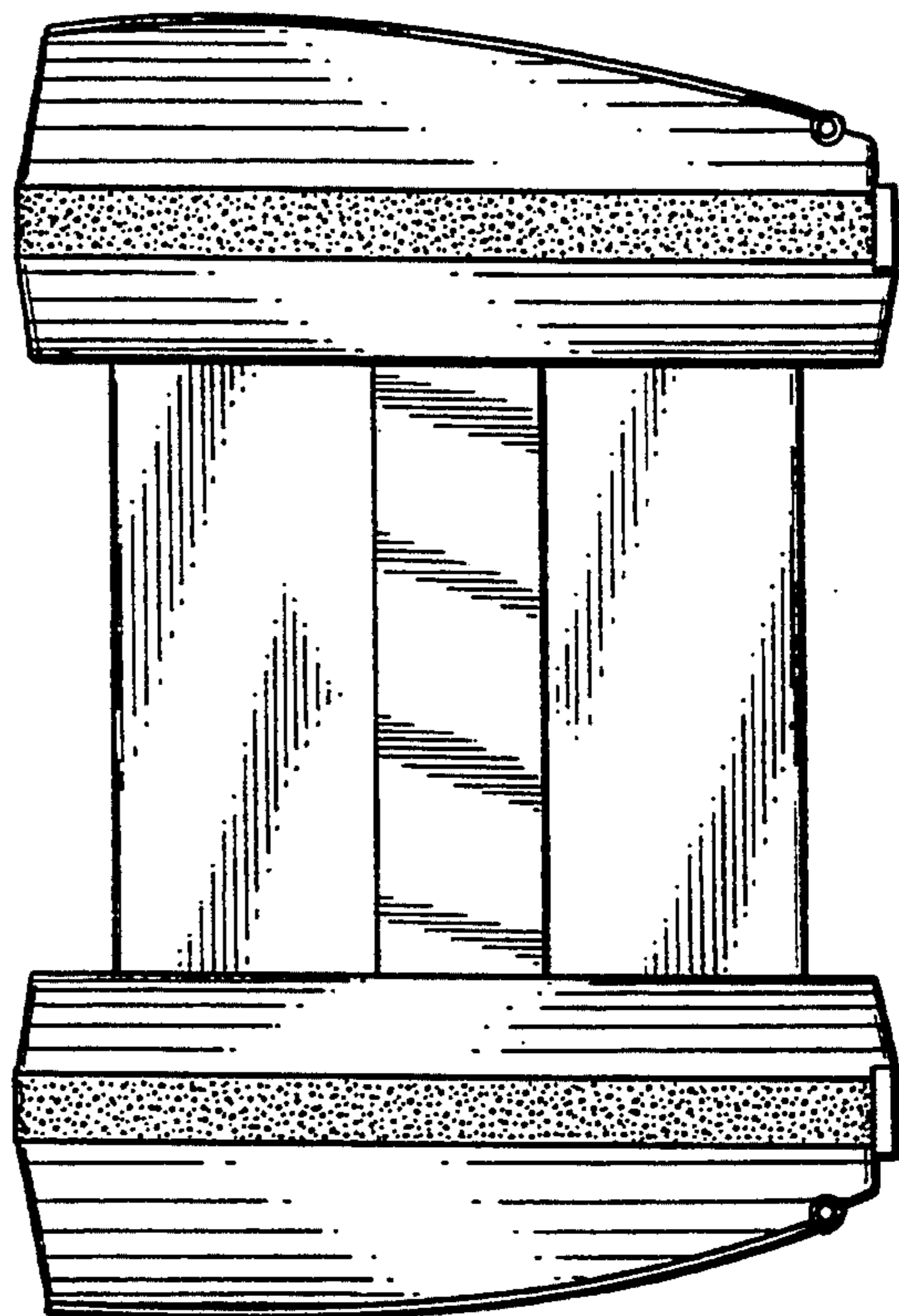


FIG. 4

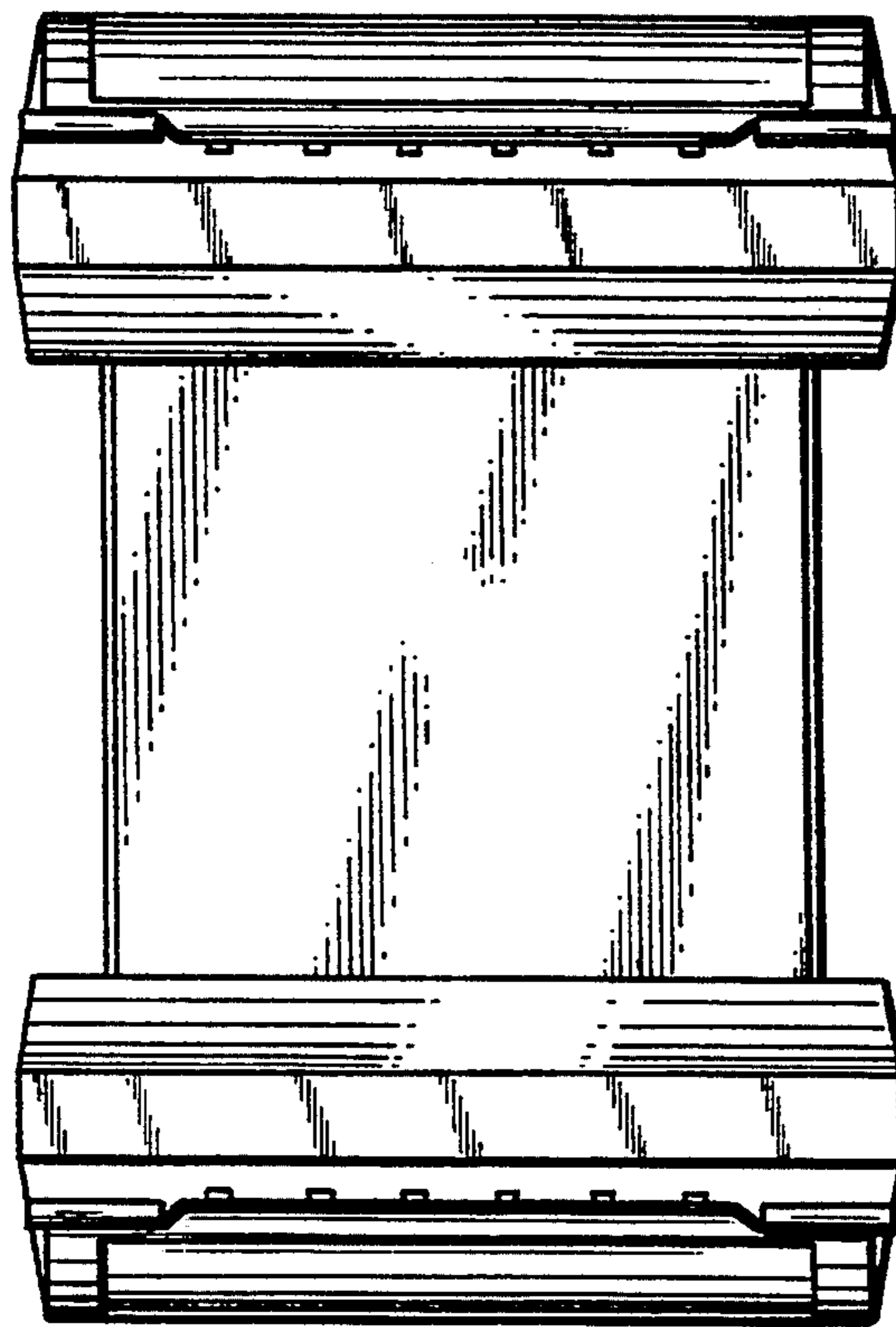


FIG. 5

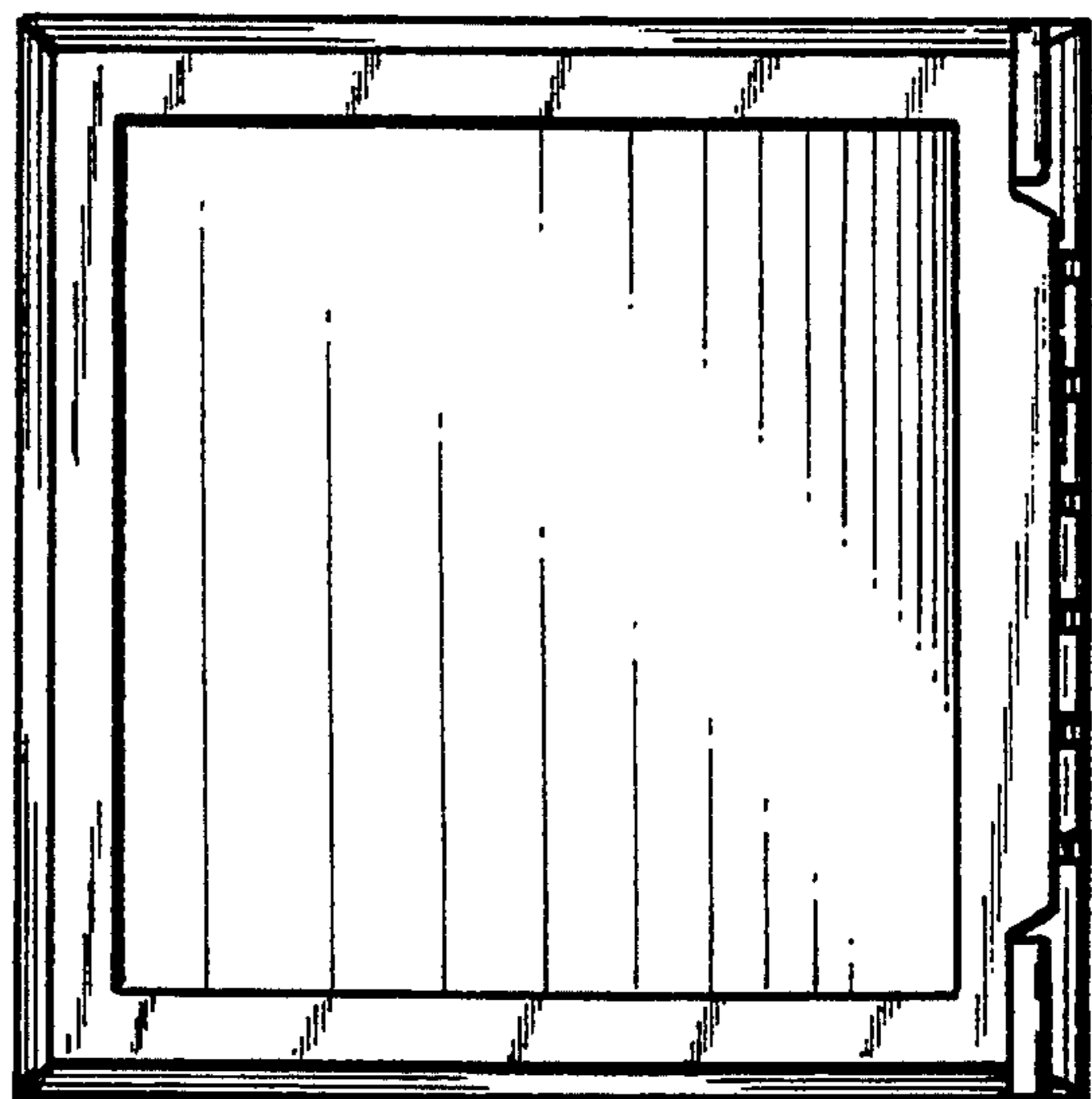


FIG. 6

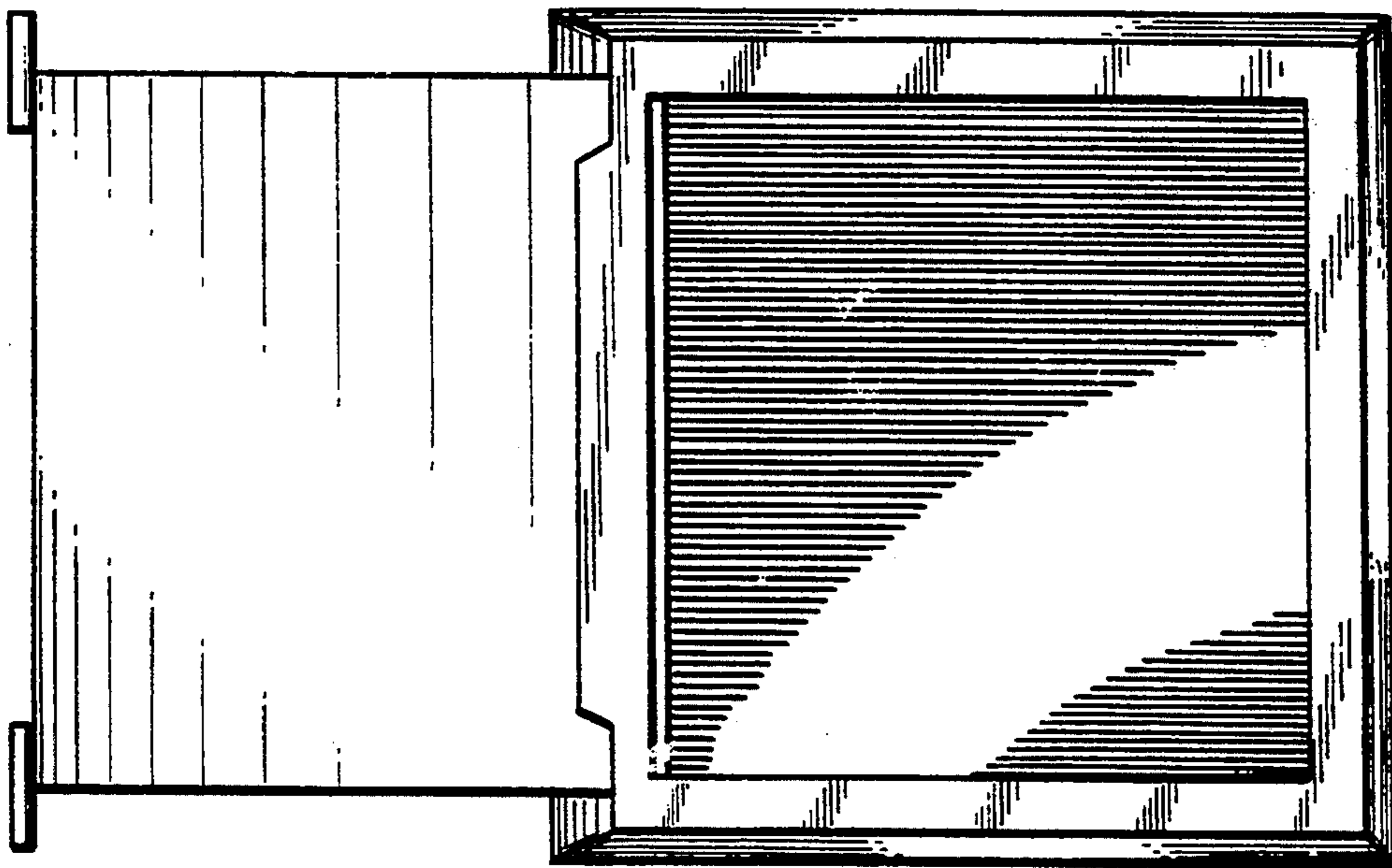


FIG. 7