



US00D354497S

United States Patent [19]

Kusunoki et al.

[11] Patent Number: **Des. 354,497**

[45] Date of Patent: **** Jan. 17, 1995**

- [54] **BACKHOE**
- [75] Inventors: **Tadashi Kusunoki; Masao Masumoto,**
both of Sakai, Japan
- [73] Assignee: **Kubota Corporation, Osaka, Japan**
- [**] Term: **14 Years**
- [21] Appl. No.: **9,597**
- [22] Filed: **Jun. 18, 1993**
- [30] **Foreign Application Priority Data**

- Dec. 18, 1992 [JP] Japan 4-37517
- [52] U.S. Cl. **D15/25; D15/24**
- [58] Field of Search **D15/10, 22-26;**
37/443; 180/326; 414/685, 687-688, 694, 722

[56] **References Cited**
U.S. PATENT DOCUMENTS

- D. 271,396 11/1983 Inui D15/24
- D. 273,384 4/1984 Nasu et al. D15/24
- D. 309,313 7/1990 Takashima et al. D15/25

- D. 319,468 11/1990 Masumoto et al. D15/25
- 4,728,251 3/1988 Takashima et al. 414/694
- 4,966,240 10/1990 Aikawa 414/687
- 5,108,253 4/1992 Kobayashi et al. 414/694

Primary Examiner—Bernard Ansher
Assistant Examiner—Sandra Morris
Attorney, Agent, or Firm—Edwin E. Greigg; Ronald E. Greigg

[57] **CLAIM**

The ornamental design for a backhoe, as shown and described.

DESCRIPTION

FIG. 1 is a front view of a backhoe showing our new design;
 FIG. 2 is a rear view;
 FIG. 3 is a left side view;
 FIG. 4 is a right side view;
 FIG. 5 is a plan view;
 FIG. 6 is a front perspective view; and,
 FIG. 7 is a rear perspective view.

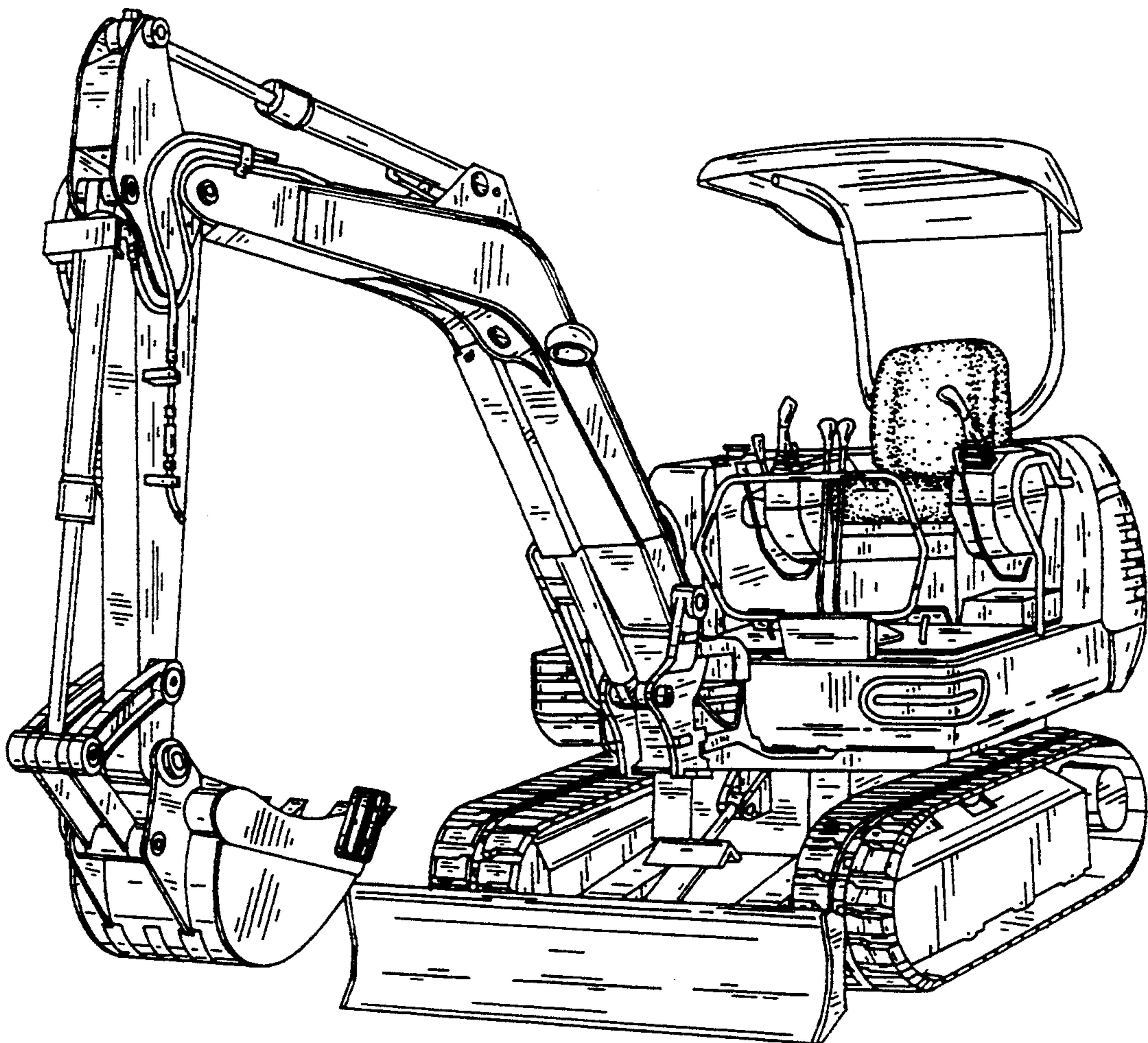


FIG. 1

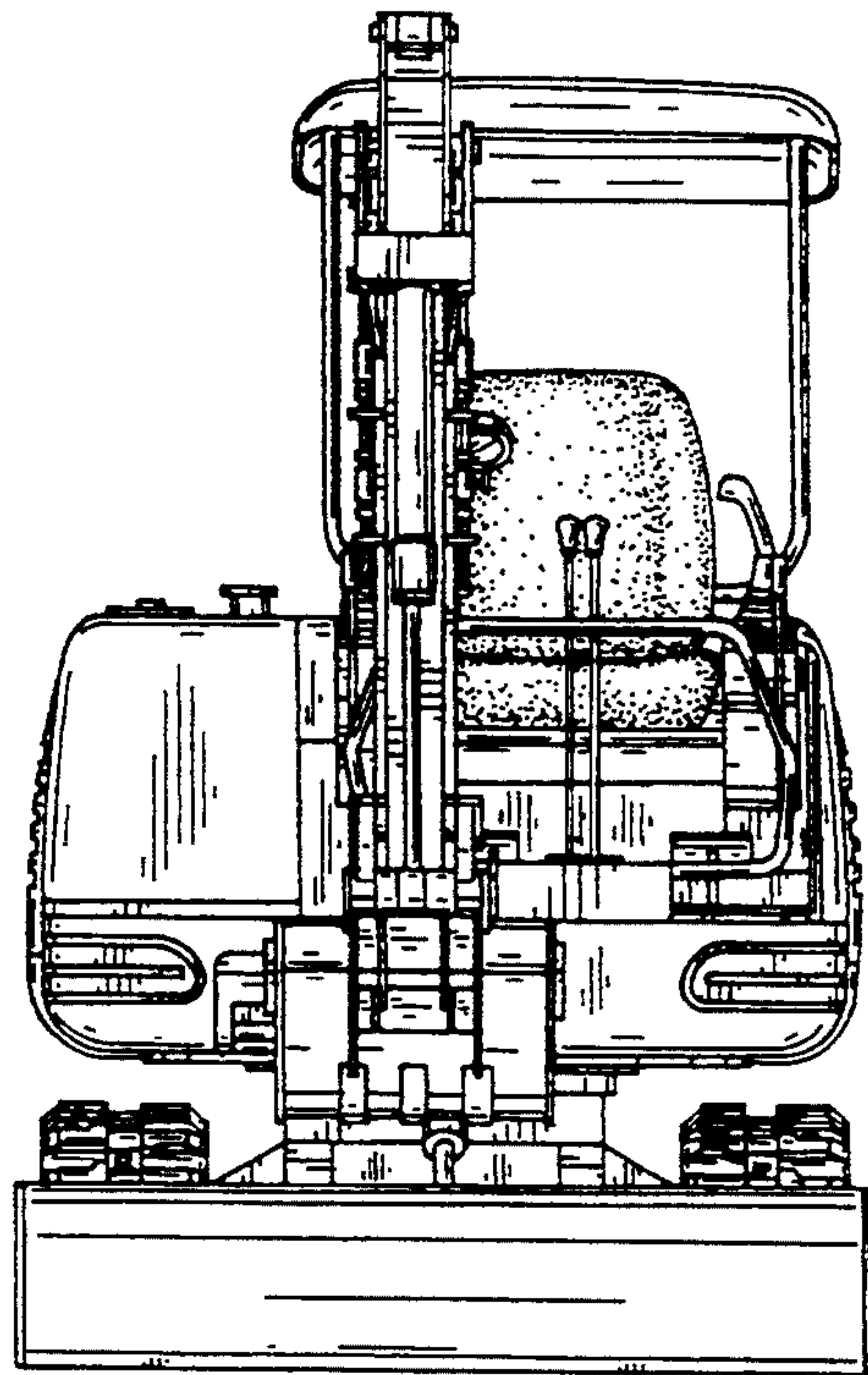


FIG. 2

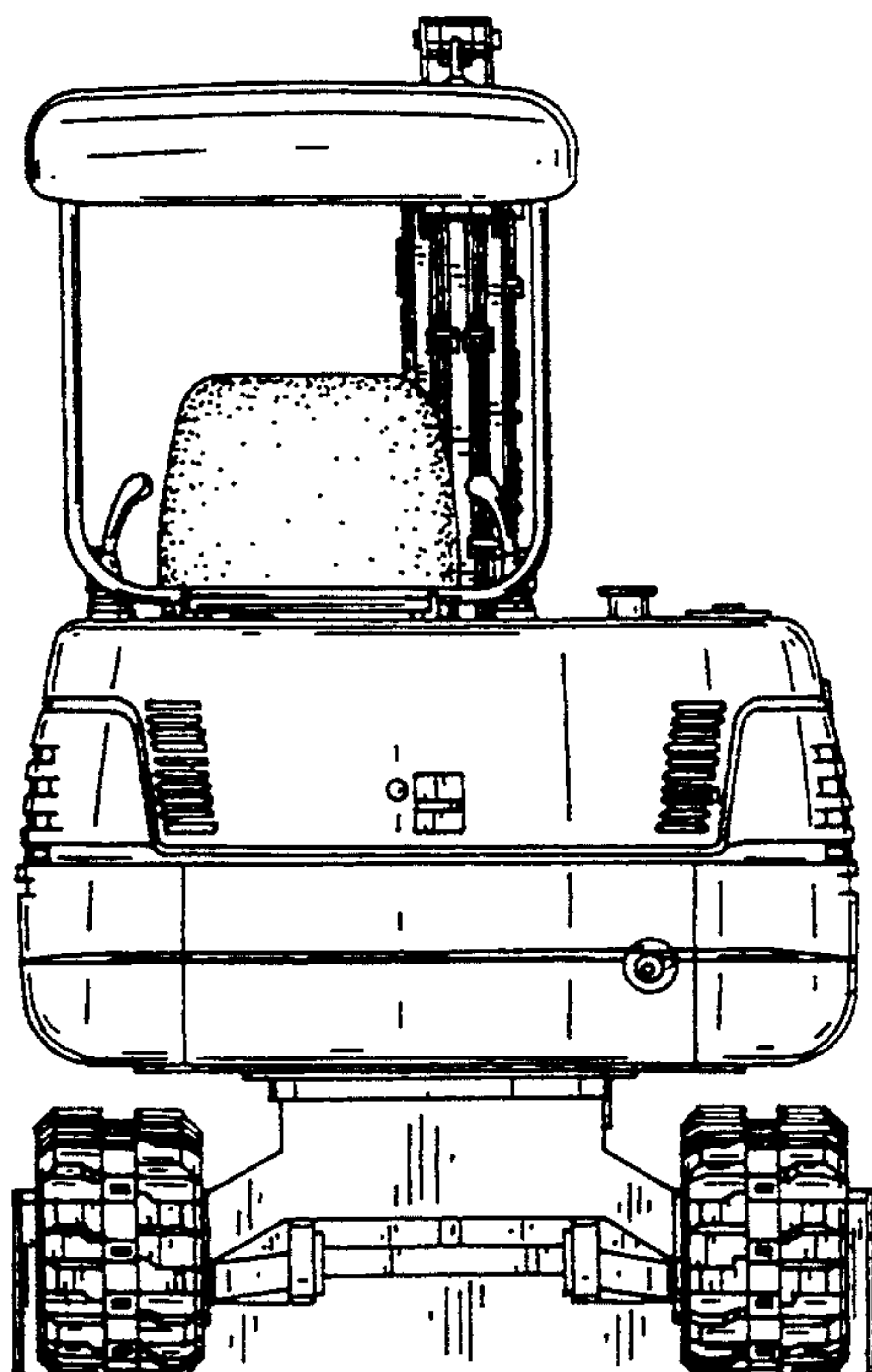


FIG. 3

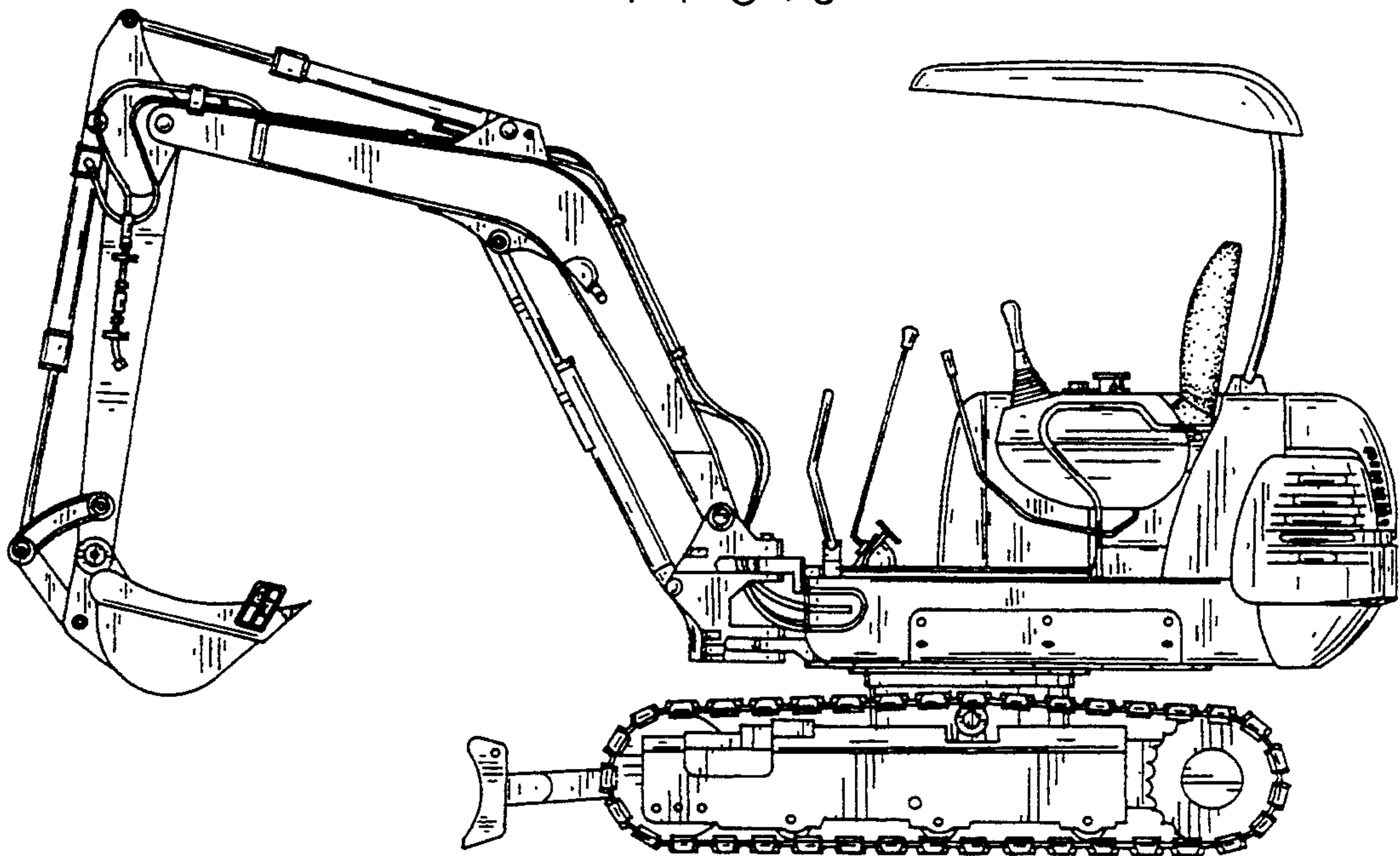


FIG. 4

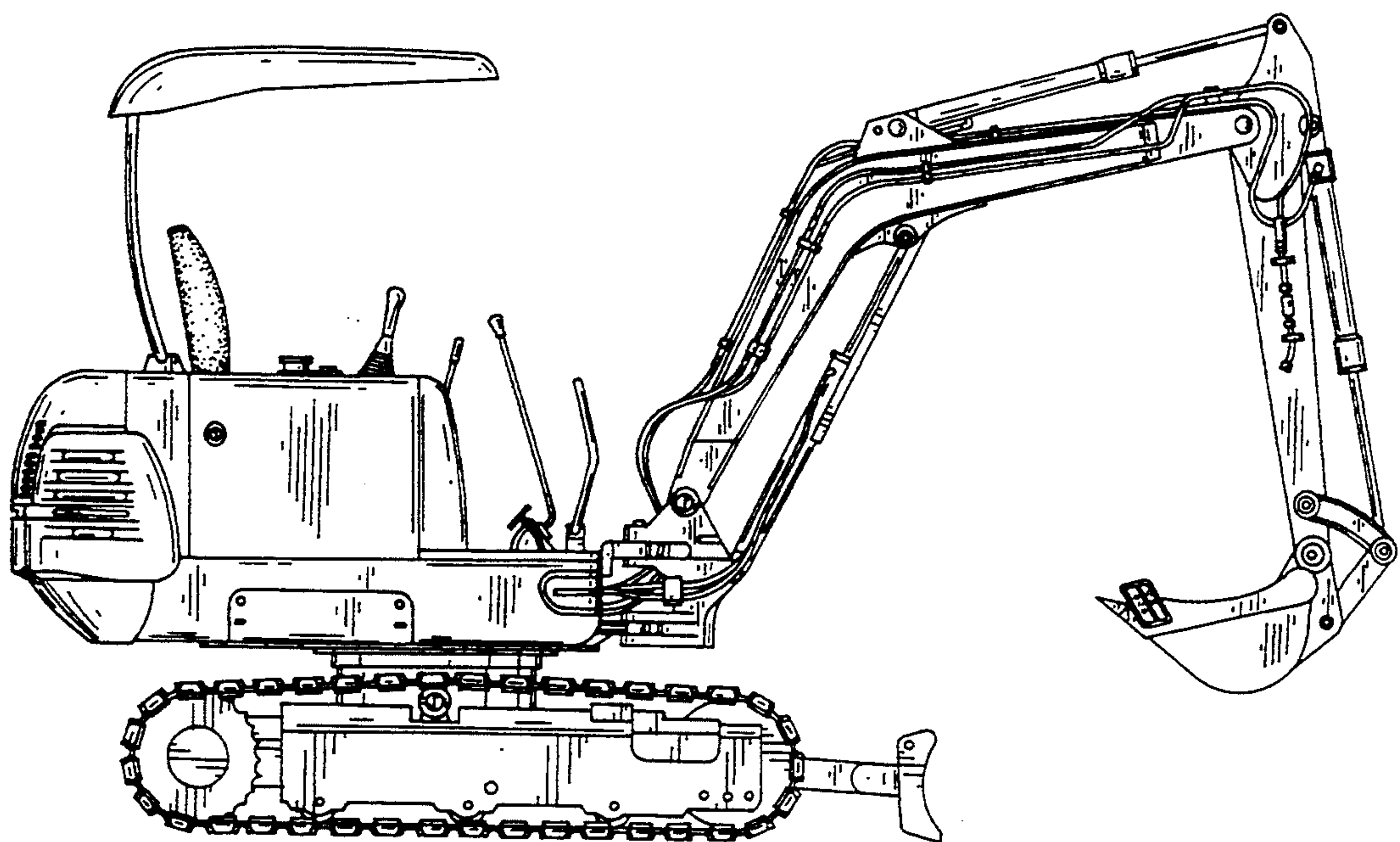


FIG. 5

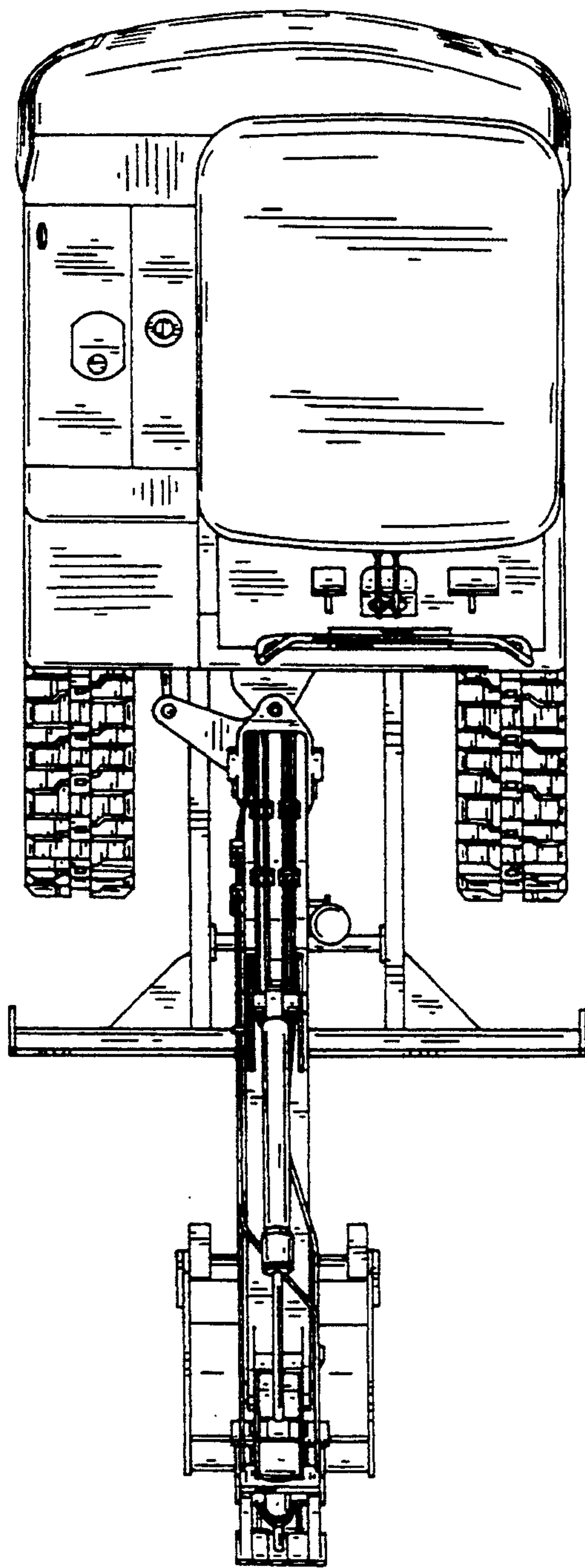


FIG. 6

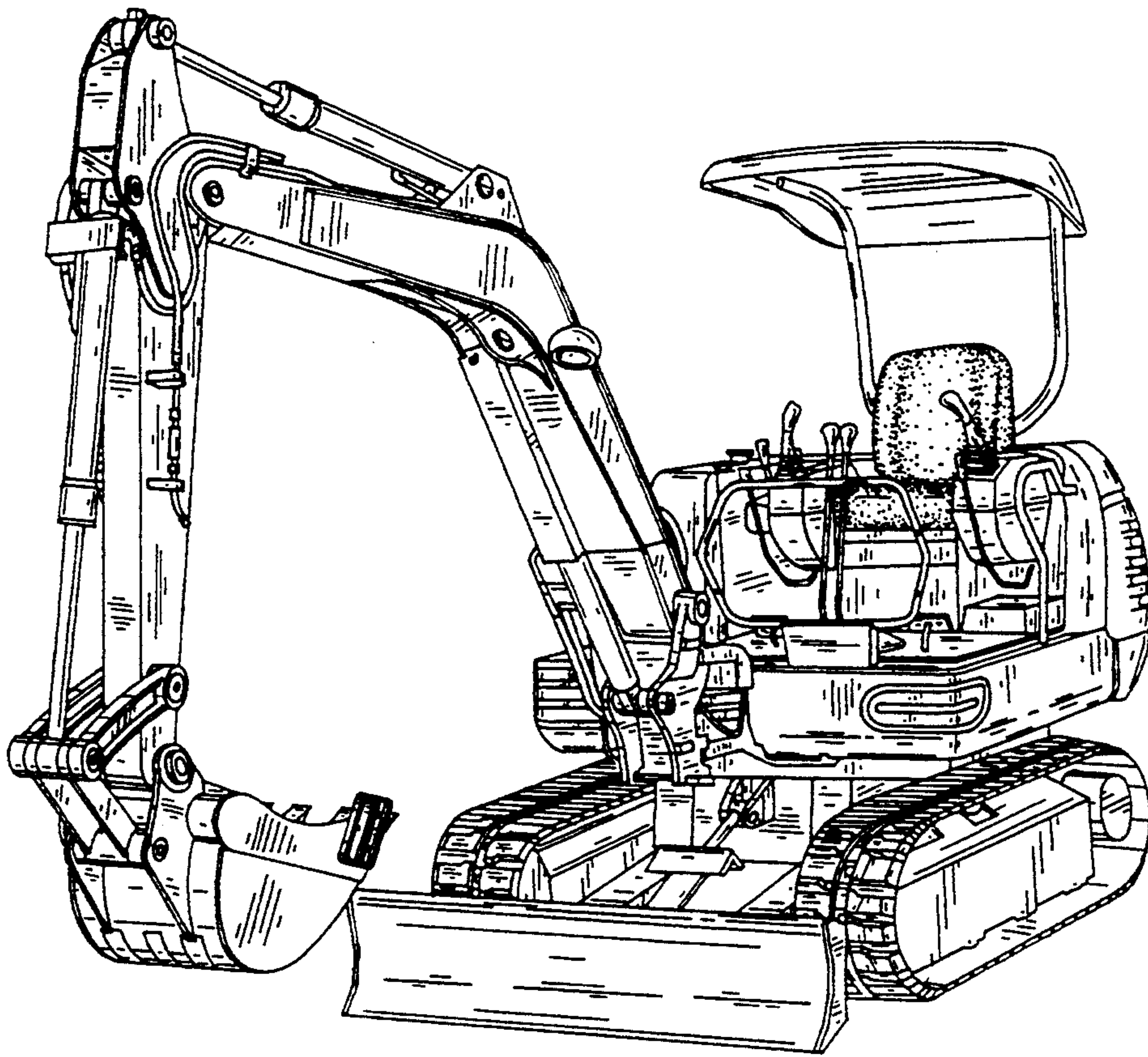


FIG. 7

