



US00D354496S

# United States Patent [19]

[11] Patent Number: Des. 354,496

Katoh et al.

[45] Date of Patent: \*\* Jan. 17, 1995

[54] POWER TILLER

[75] Inventors: Hisato Katoh; Hiroshi Imoo, both of Sakai, Japan

[73] Assignee: Kubota Corporation, Osaka, Japan

[\*\*] Term: 14 Years

[21] Appl. No.: 11,281

[22] Filed: Jul. 15, 1993

[30] Foreign Application Priority Data

Jan. 18, 1993 [JP] Japan ..... 5-1030

[52] U.S. Cl. .... D15/12

[58] Field of Search ..... D15/10-12; 172/42, 43, 260

[56] References Cited

### U.S. PATENT DOCUMENTS

- D. 179,577 1/1957 Machovec ..... D15/10
- D. 249,518 9/1978 Cognata et al. .... D15/12
- D. 269,784 7/1983 Stark ..... D15/12
- D. 280,824 10/1985 Mikado ..... D15/12
- D. 281,611 12/1985 Mikado ..... D15/12

- D. 297,238 8/1988 Horikawa et al. .... D15/11
- 4,015,668 4/1977 Wilson ..... 172/43
- 4,958,457 9/1990 Doskocil ..... 172/43
- 5,197,551 3/1993 Farley ..... 172/42

### OTHER PUBLICATIONS

Progressive Farmer May 1991 p. 11 Troy-Bilt Standard Horse tiller, bottom right.

Primary Examiner—Bernard Ansher

Assistant Examiner—Sandra Morris

Attorney, Agent, or Firm—Edwin E. Greigg; Ronald E. Greigg

[57] CLAIM

The ornamental design for a power tiller, as shown and described.

### DESCRIPTION

FIG. 1 is a right side view of a power tiller showing our new design;

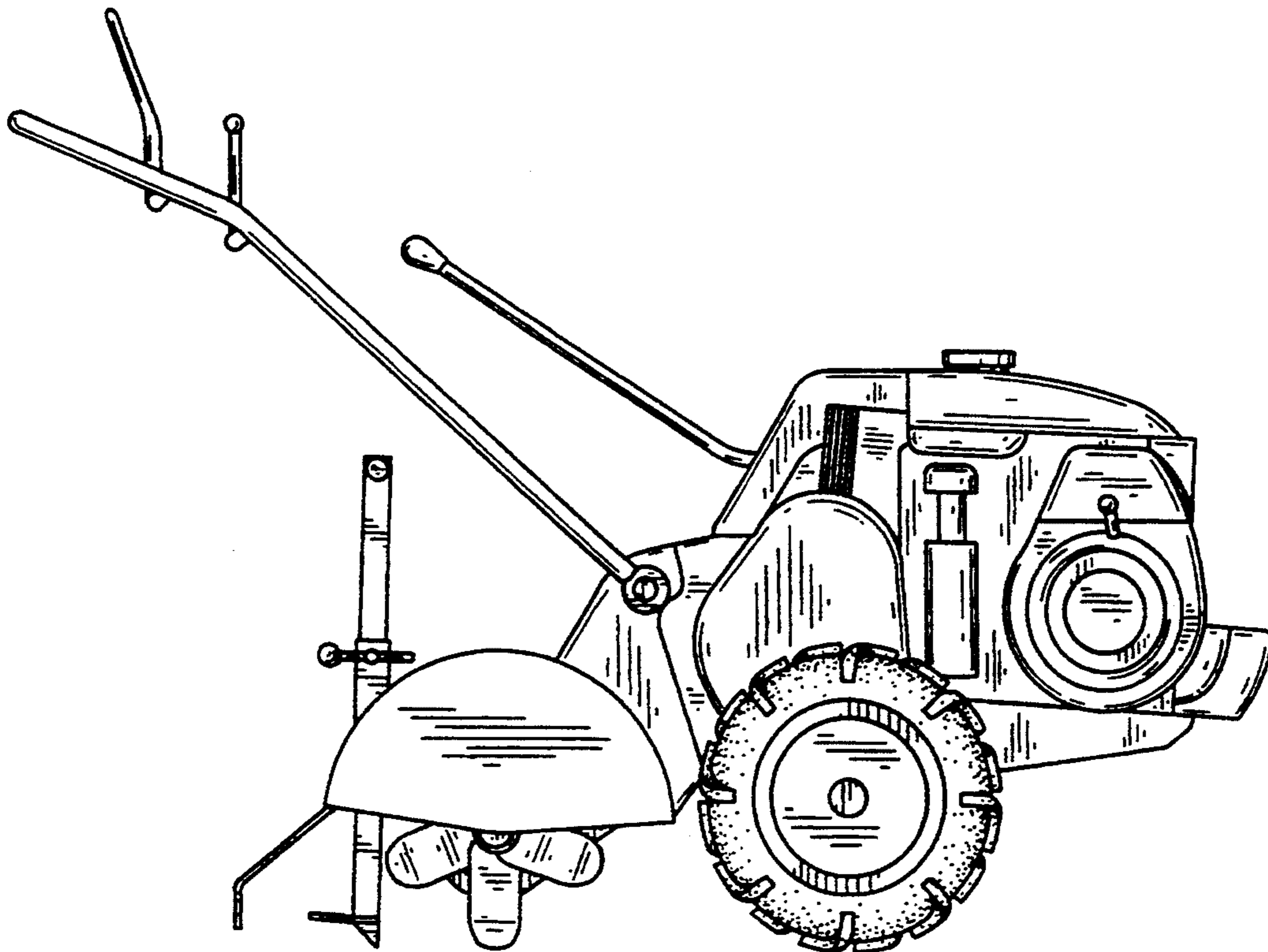
FIG. 2 is a bottom view;

FIG. 3 is a front view;

FIG. 4 is a top plan view;

FIG. 5 is a left side view; and,

FIG. 6 is a rear view.



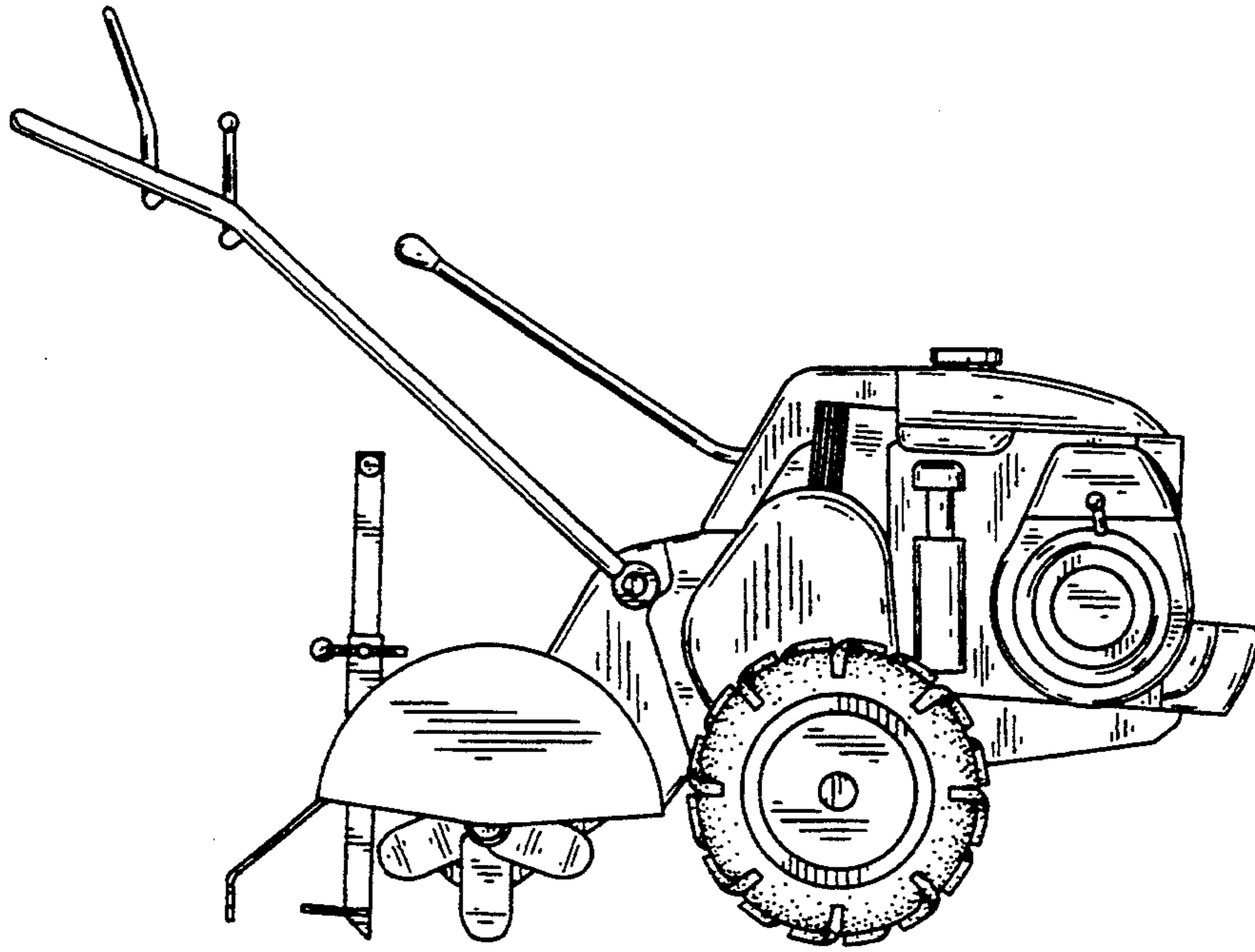
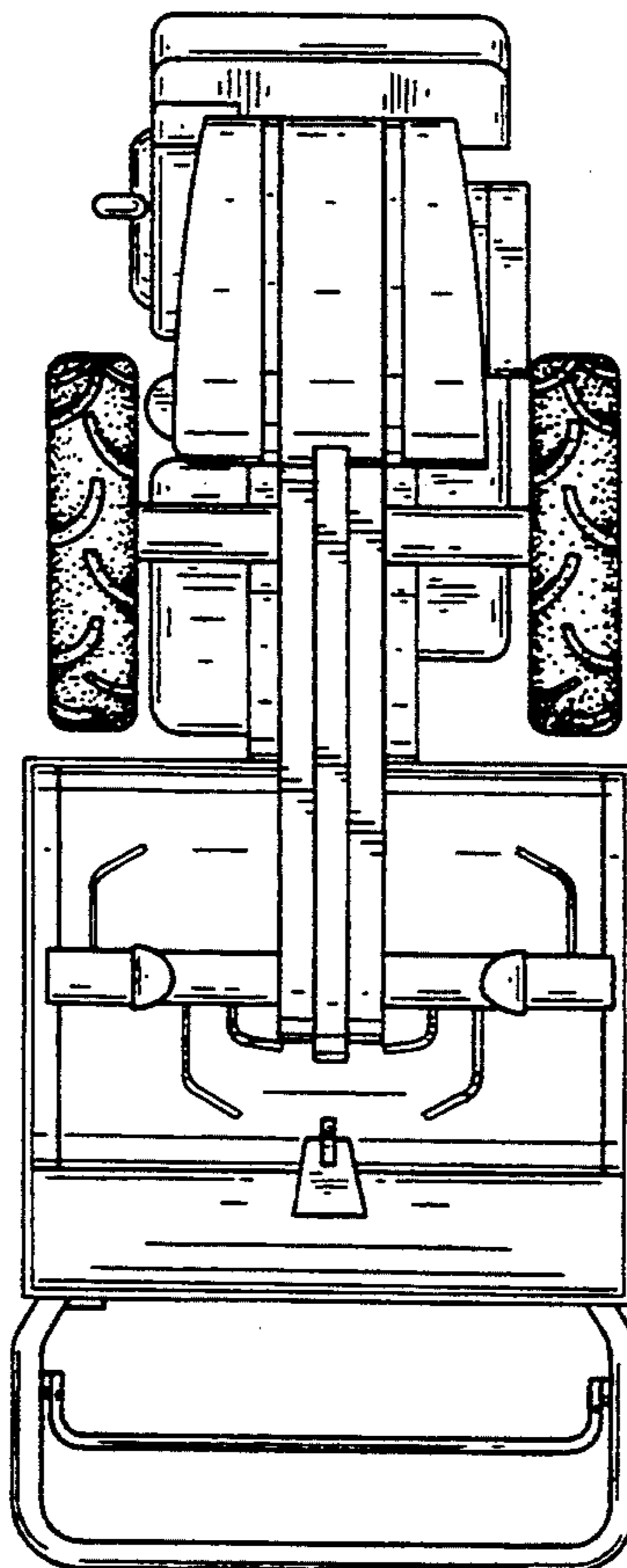


FIG. 1

FIG. 2



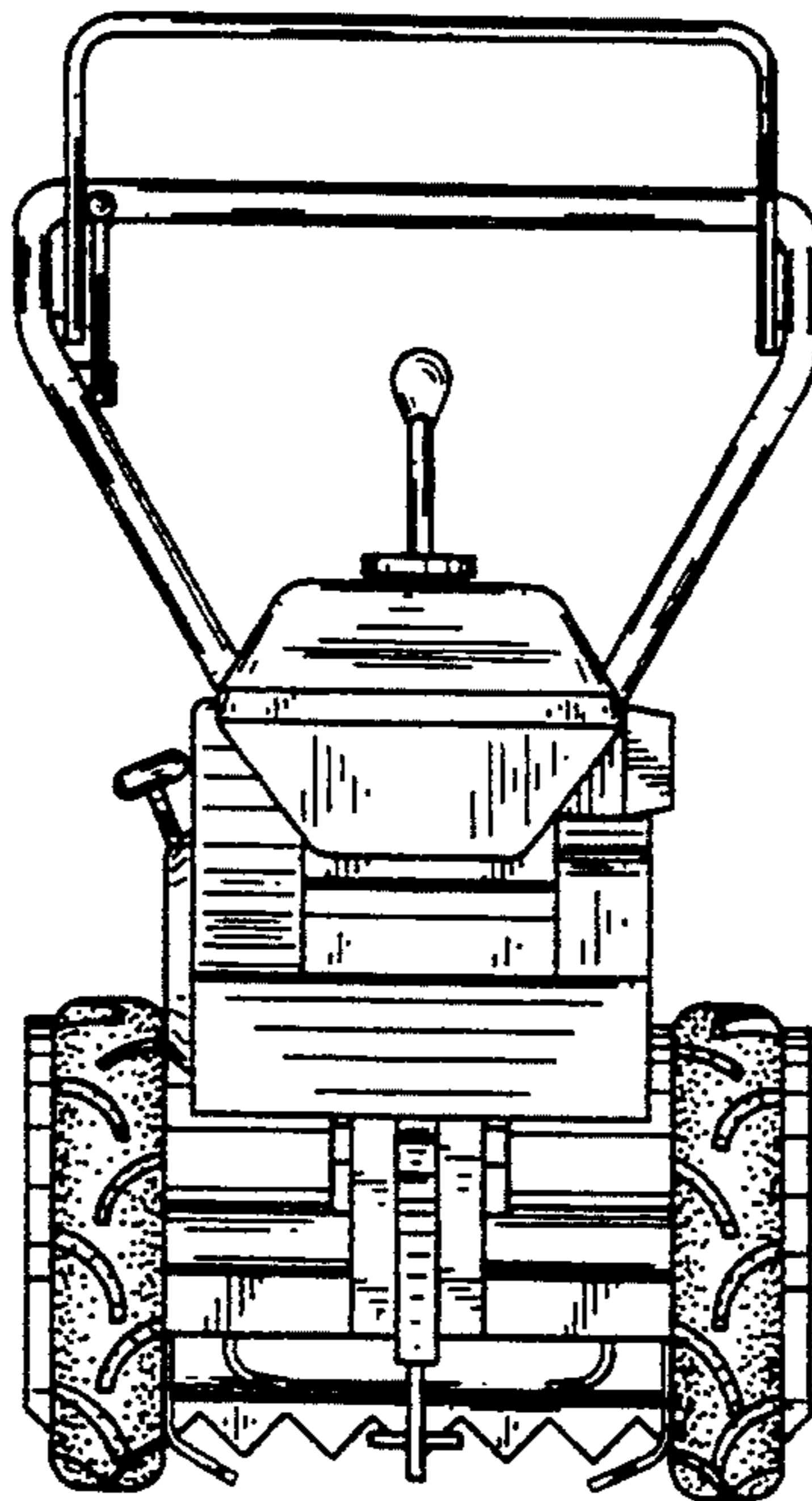
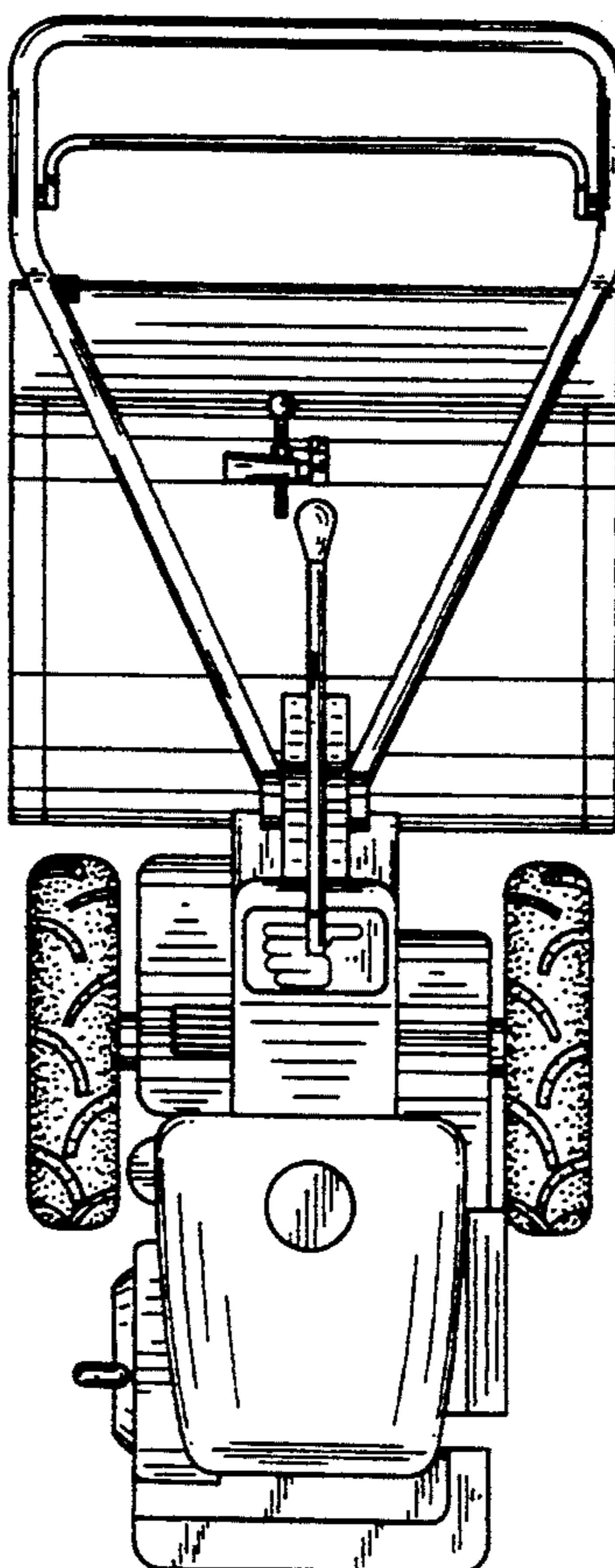


FIG. 3

FIG. 4



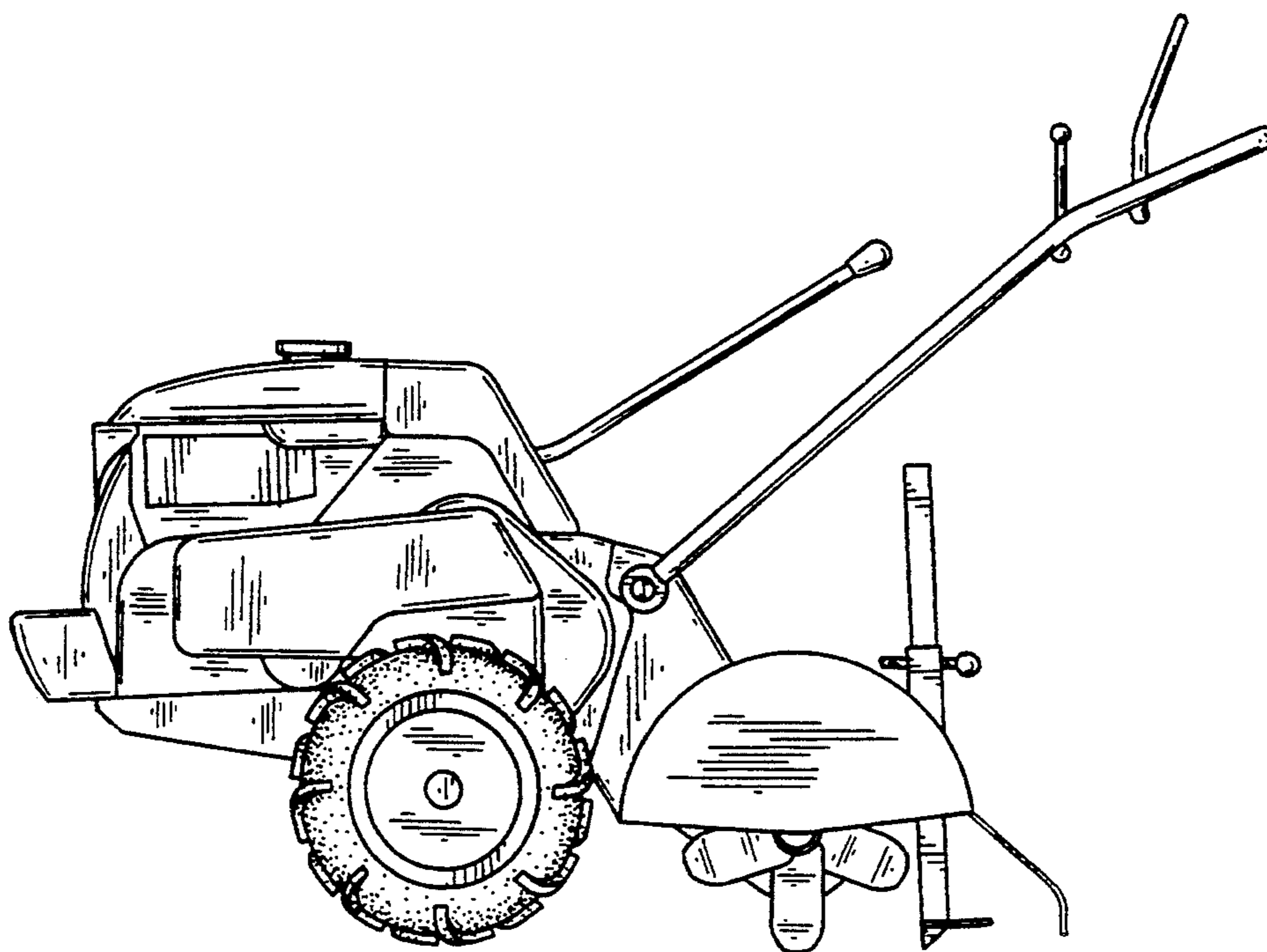


FIG. 5

FIG. 6

