



US00D354495S

United States Patent [19]

[11] Patent Number: **Des. 354,495**

Tojo

[45] Date of Patent: **** Jan. 17, 1995**

[54] **RECIPROCATING PUMP**

[75] Inventor: **Nobuo T. Tojo, Mobara, Japan**

[73] Assignee: **Maruyama Mfg. Co. Inc., Tokyo, Japan**

[**] Term: **14 Years**

[21] Appl. No.: **6,778**

[22] Filed: **Apr. 7, 1993**

[30] **Foreign Application Priority Data**

Oct. 7, 1992 [JP] Japan 4-029096

[52] U.S. Cl. **D15/7**

[58] Field of Search **D15/7-9.2;**
417/63, 69, 360

[56] **References Cited**

U.S. PATENT DOCUMENTS

D. 327,273 6/1992 Cadotte et al. D15/7

D. 328,304 7/1992 Frohn et al. D15/7

D. 339,810 9/1993 Hansen D15/7

Primary Examiner—Ralf T. Seifert
Attorney, Agent, or Firm—Cushman Darby & Cushman

[57] **CLAIM**

The ornamental design for a reciprocating pump, as shown and described.

DESCRIPTION

FIG. 1 is a perspective view of a reciprocating pump embodying my design, as viewed from the front thereof; FIG. 2 is a perspective view of the reciprocating pump, as viewed from the back thereof; FIG. 3 is a front elevational view thereof; FIG. 4 is a back elevational view thereof; FIG. 5 is a right side view elevational view thereof; FIG. 6 is a left side elevational view thereof; FIG. 7 is a top plan view thereof; FIG. 8 is a bottom plan view thereof; FIG. 9 is a cross sectional view of FIG. 7 taken along line 9—9; FIG. 10 is a cross sectional view of FIG. 3 taken along line 10—10; and, FIG. 11 is a cross sectional view of FIG. 3 taken along line 11—11.

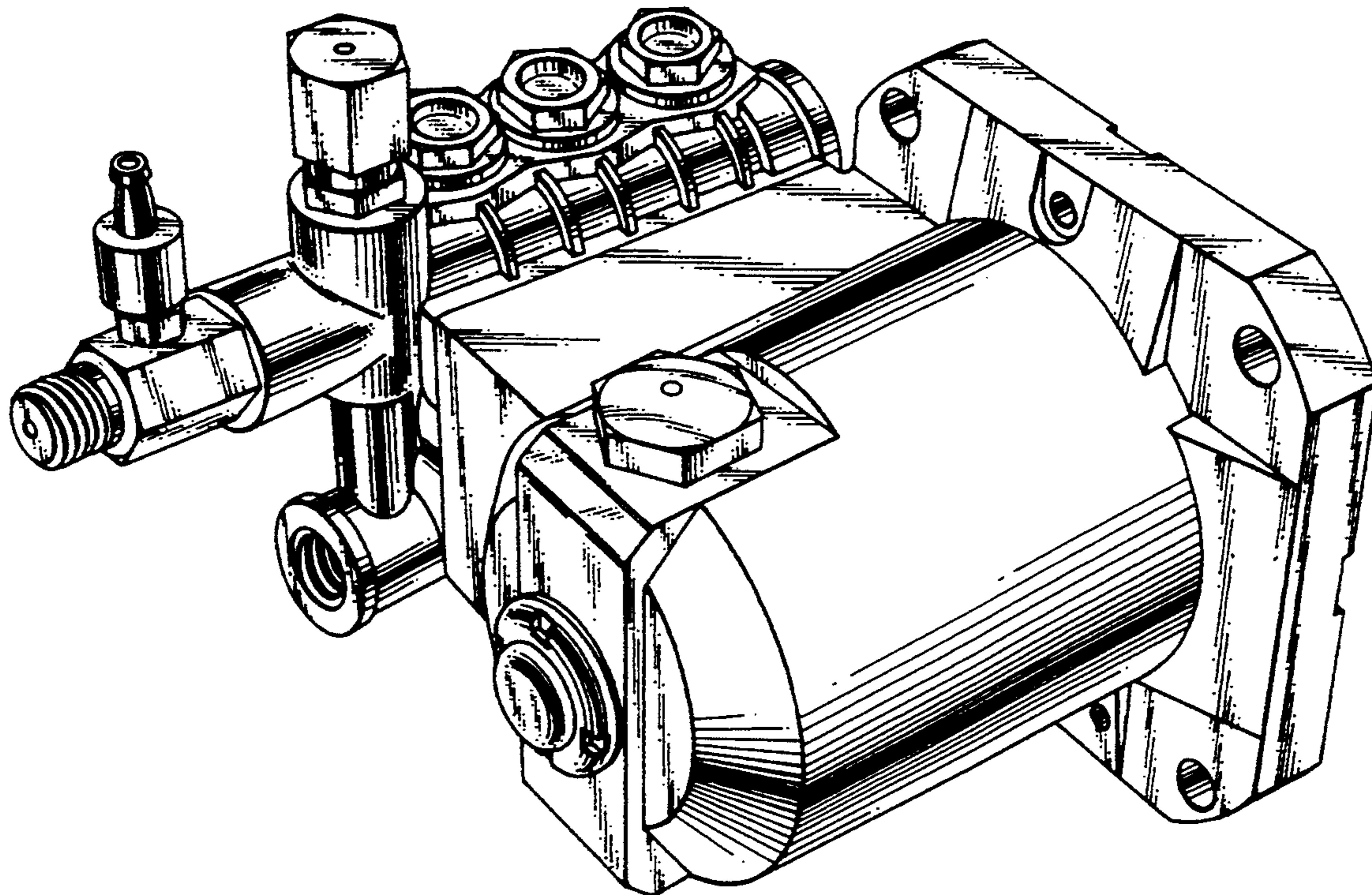


FIG. 1

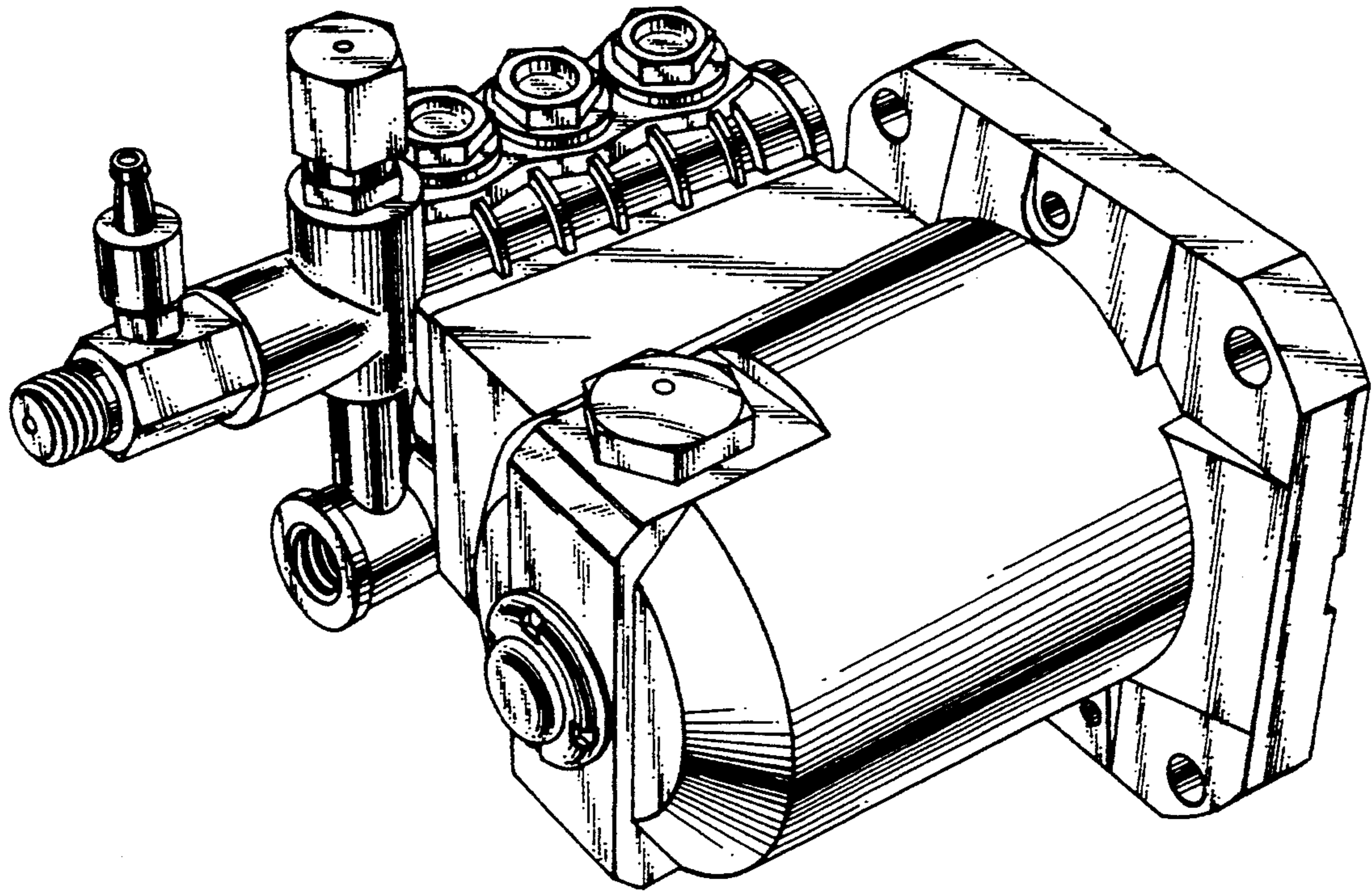


FIG. 2

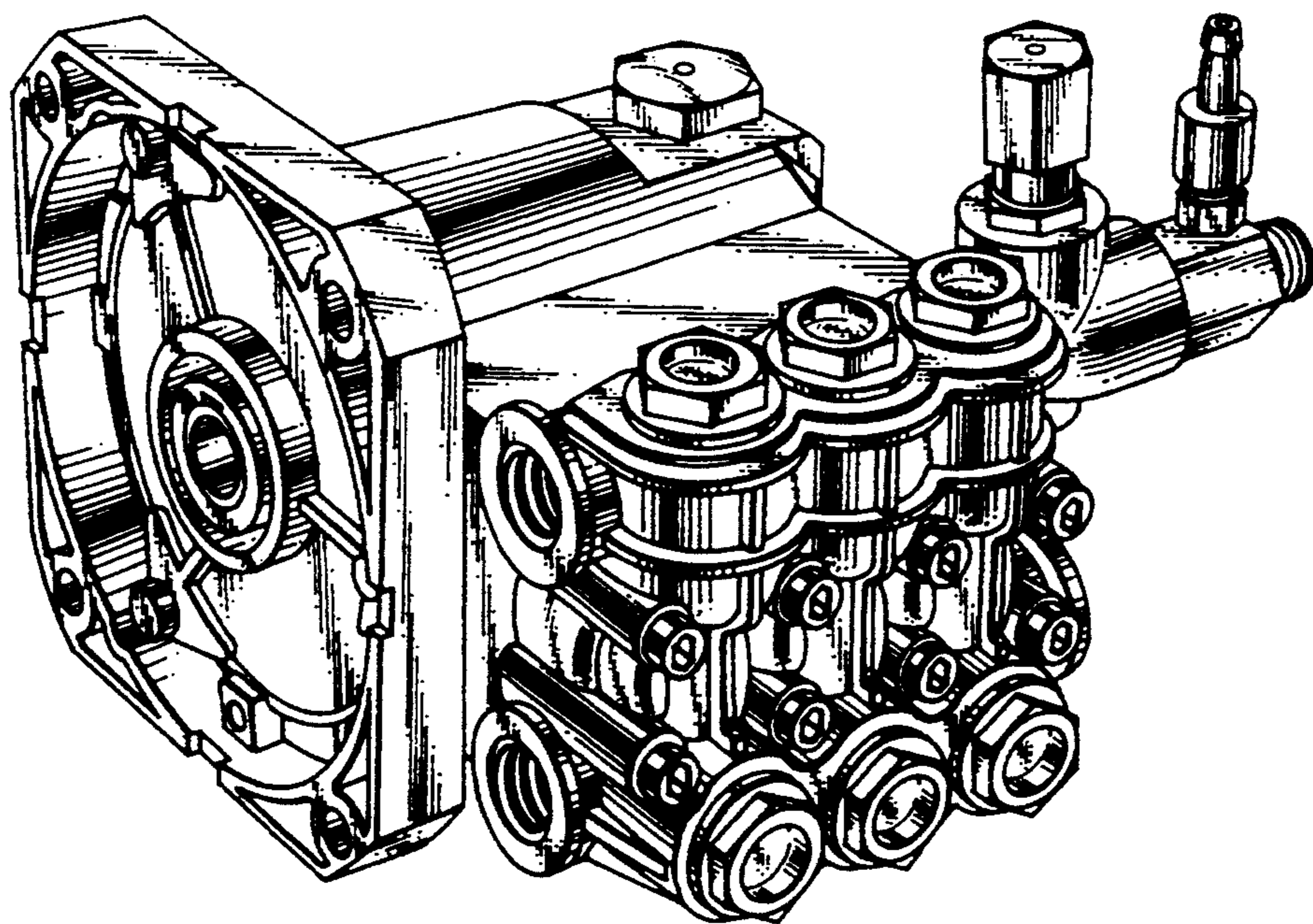


FIG. 3

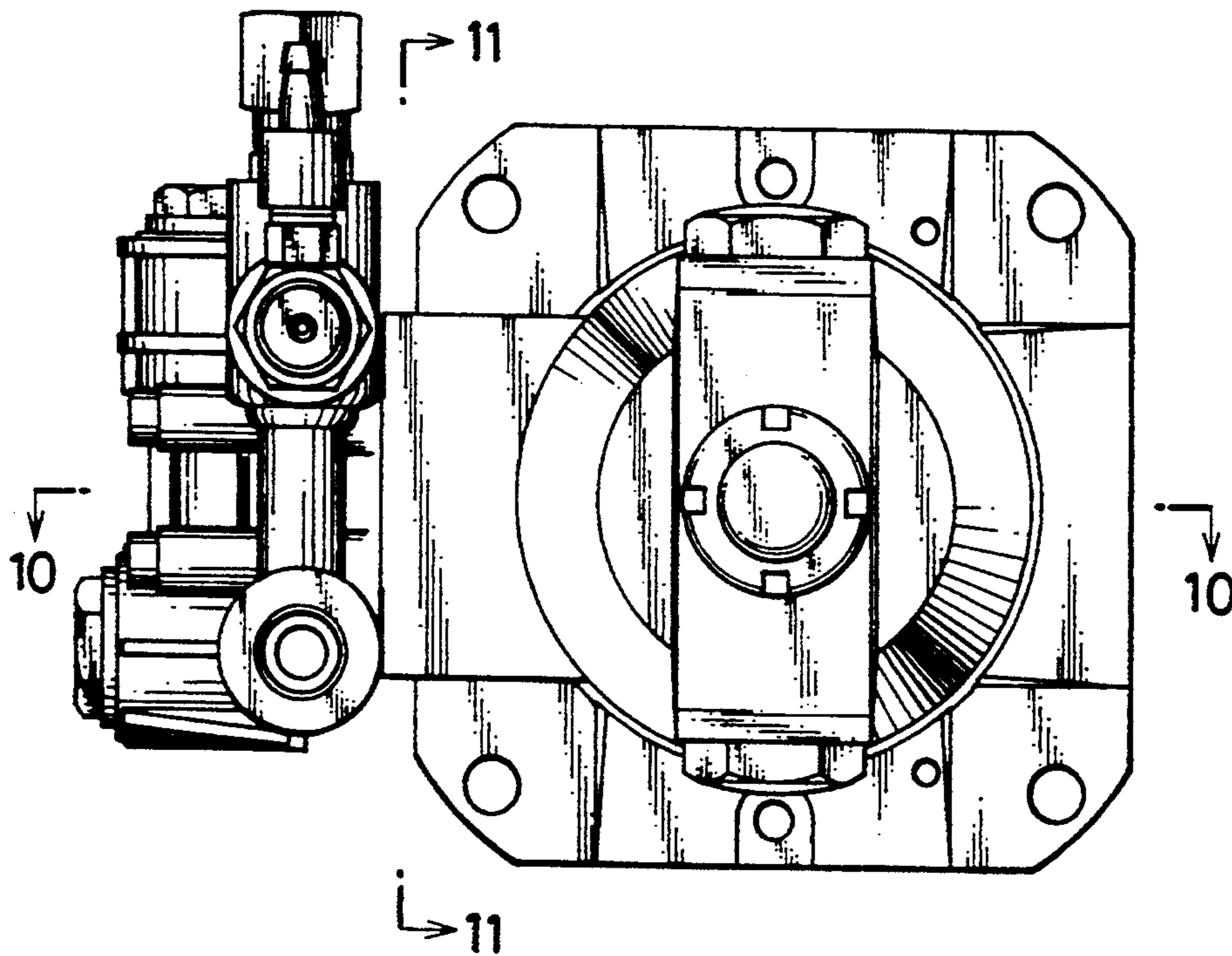


FIG. 4

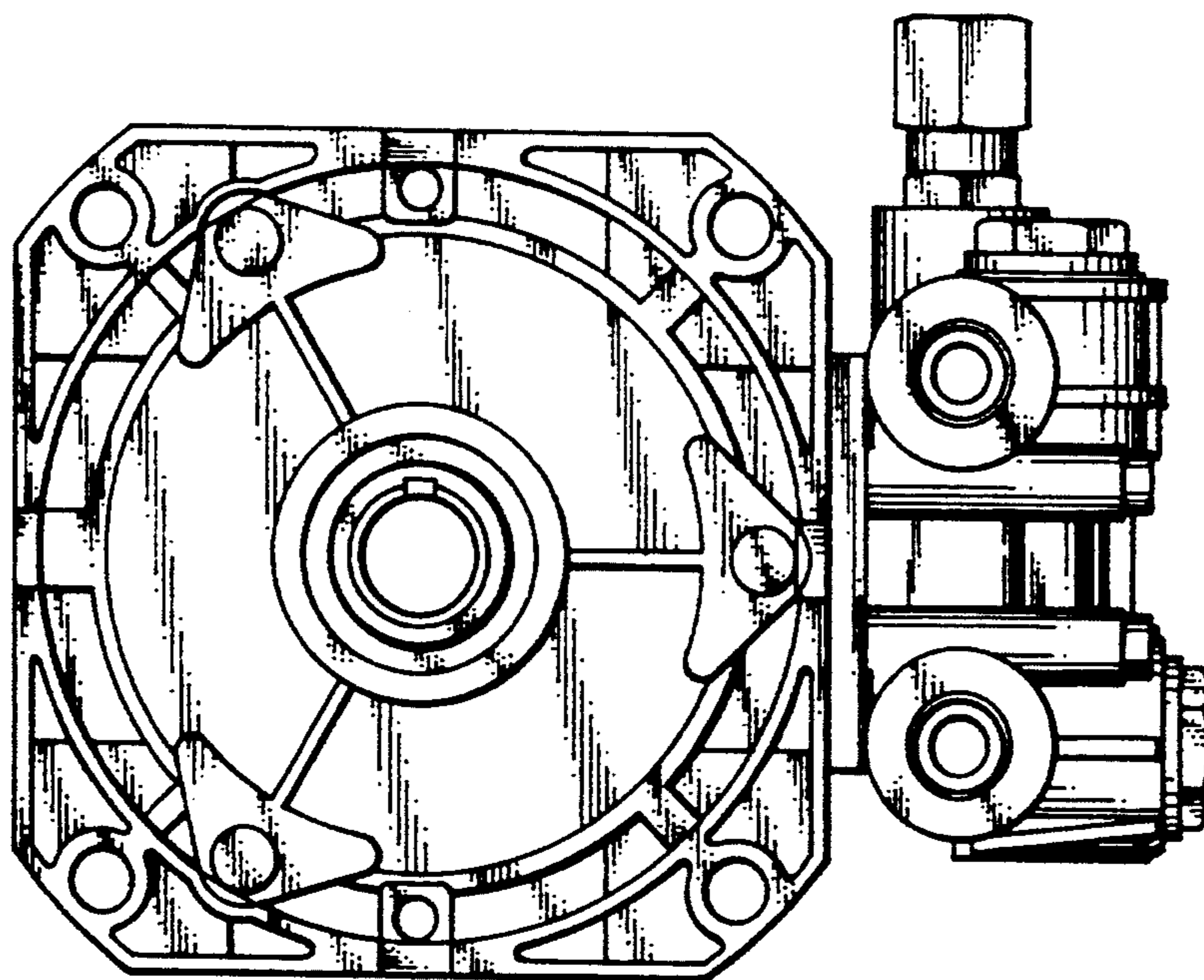


FIG. 5

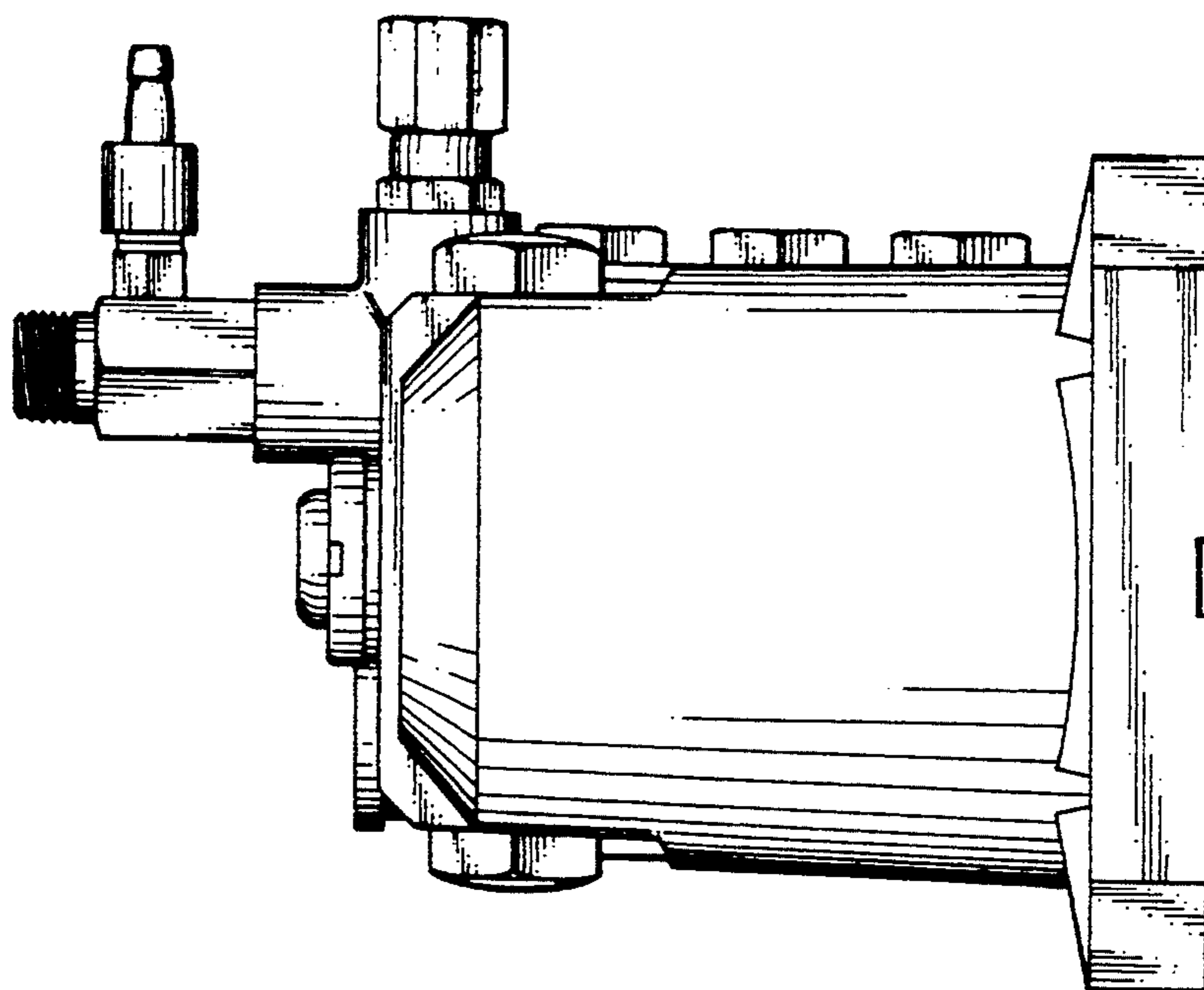


FIG. 6

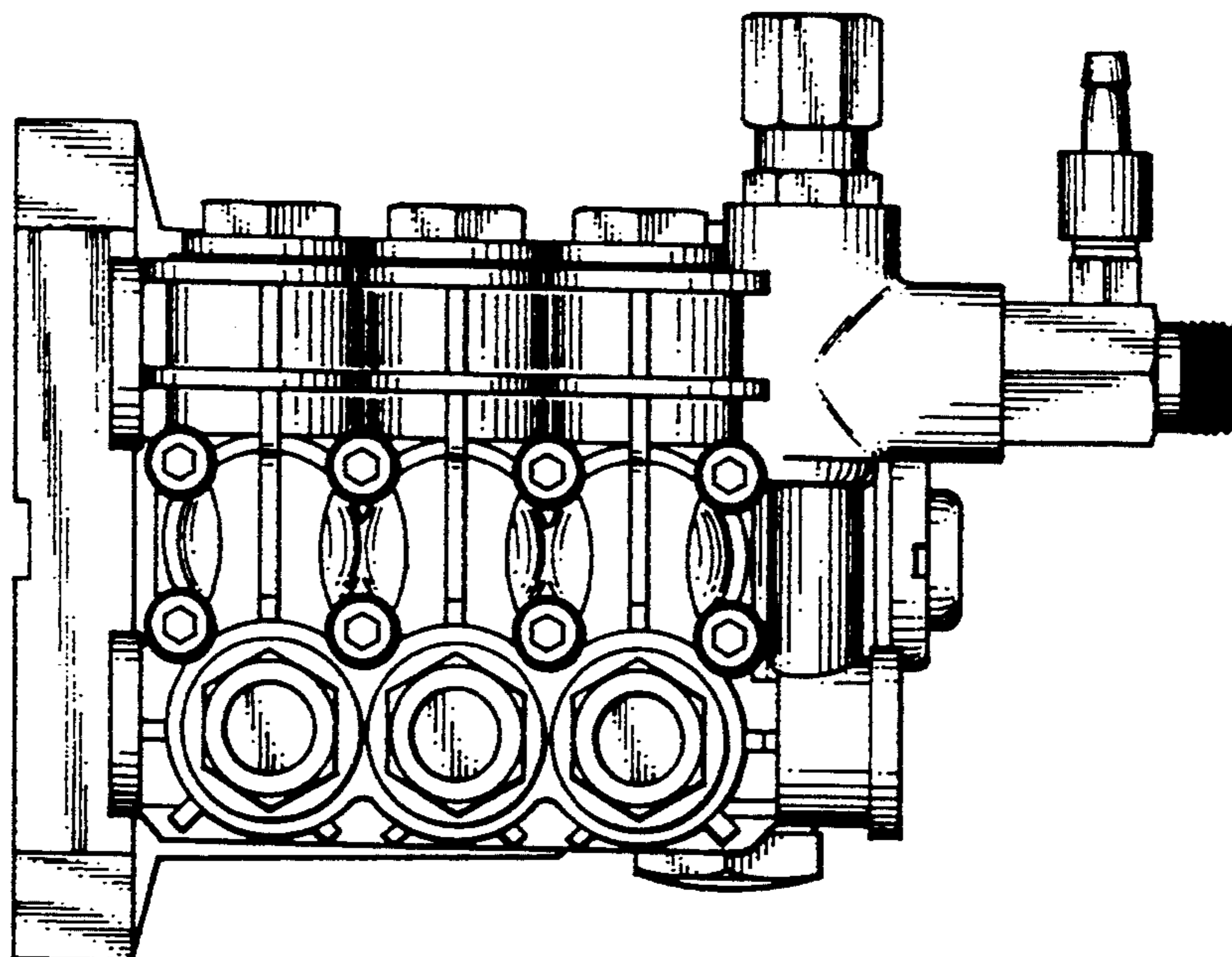


FIG. 7

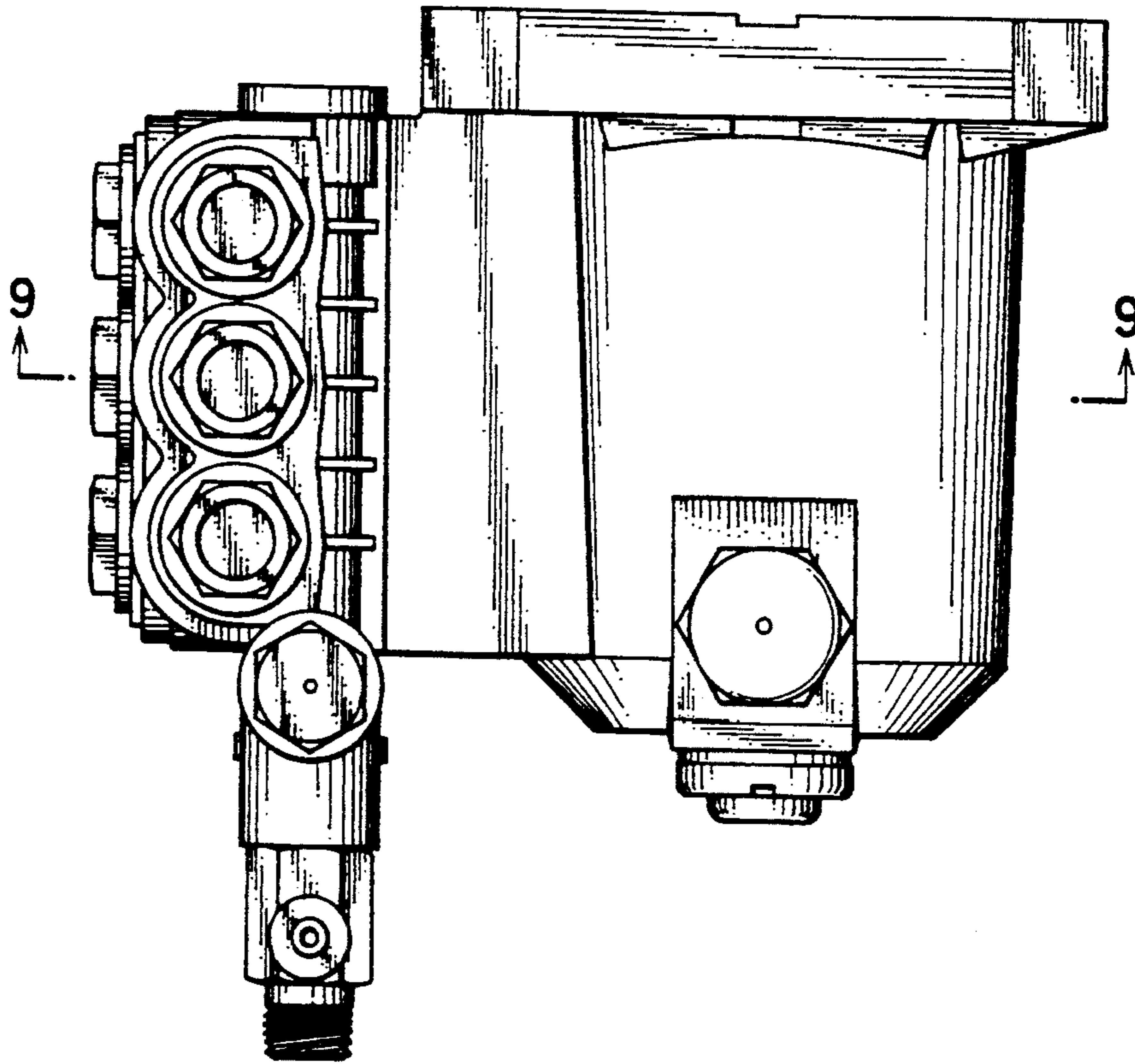


FIG. 8

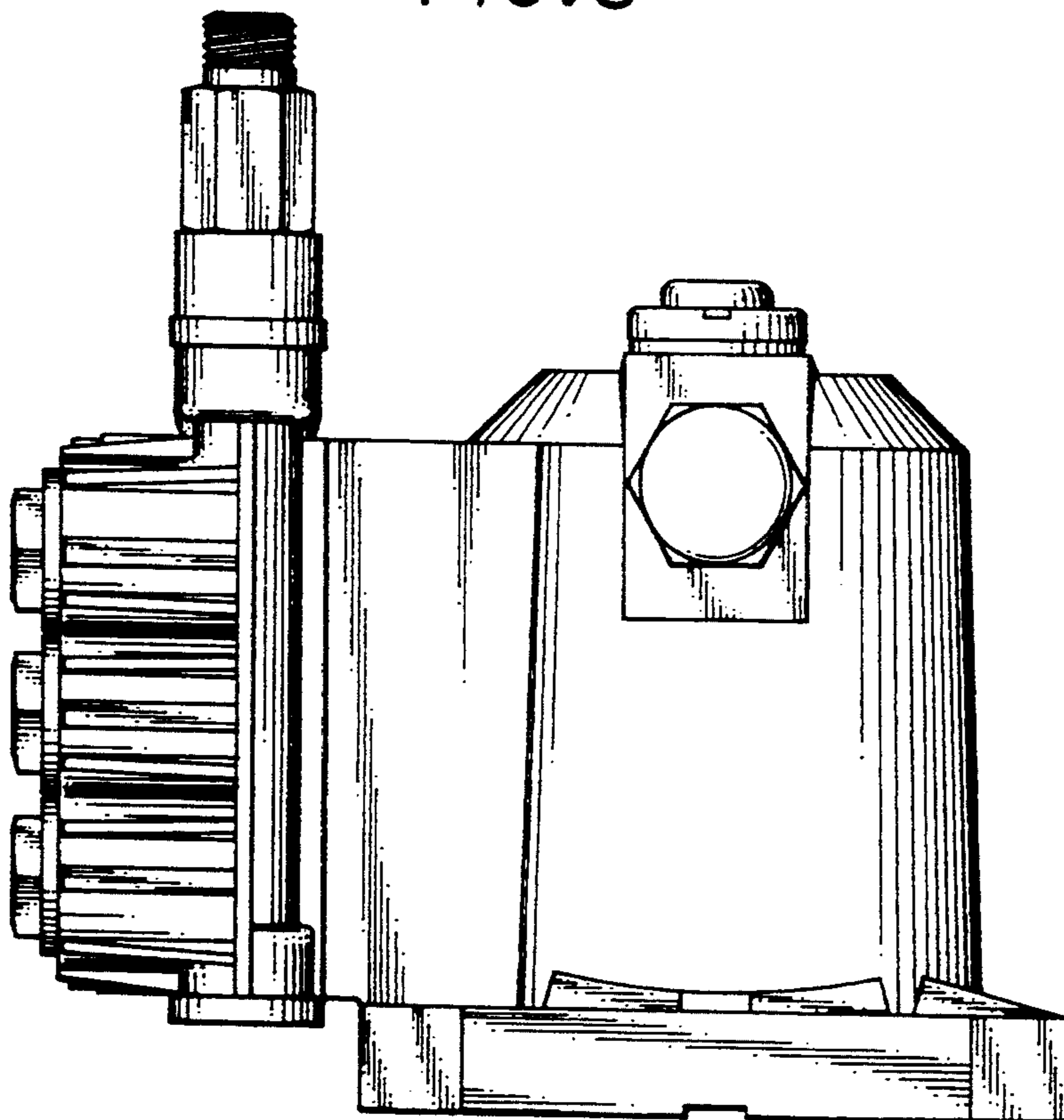


FIG. 9

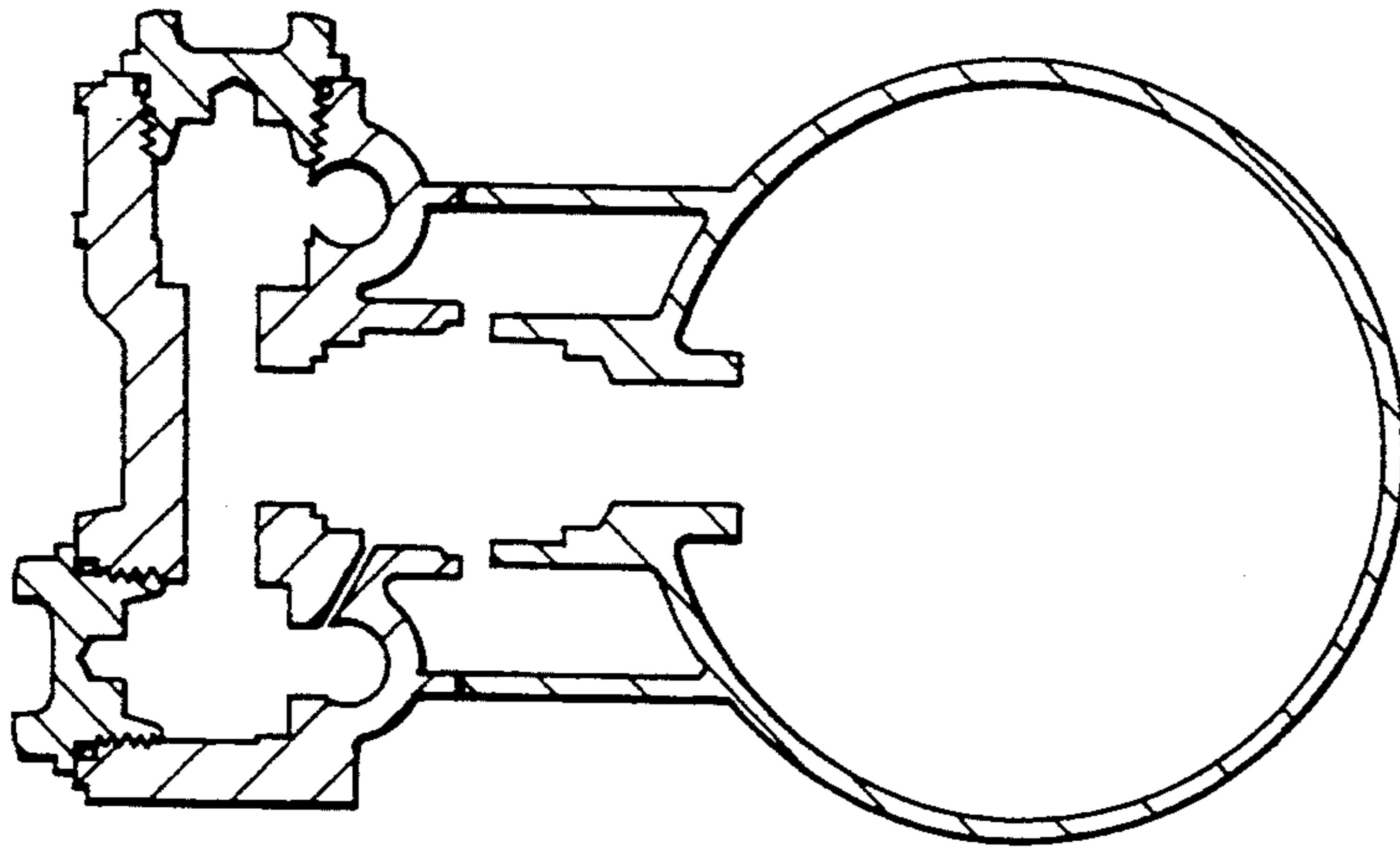


FIG. 10

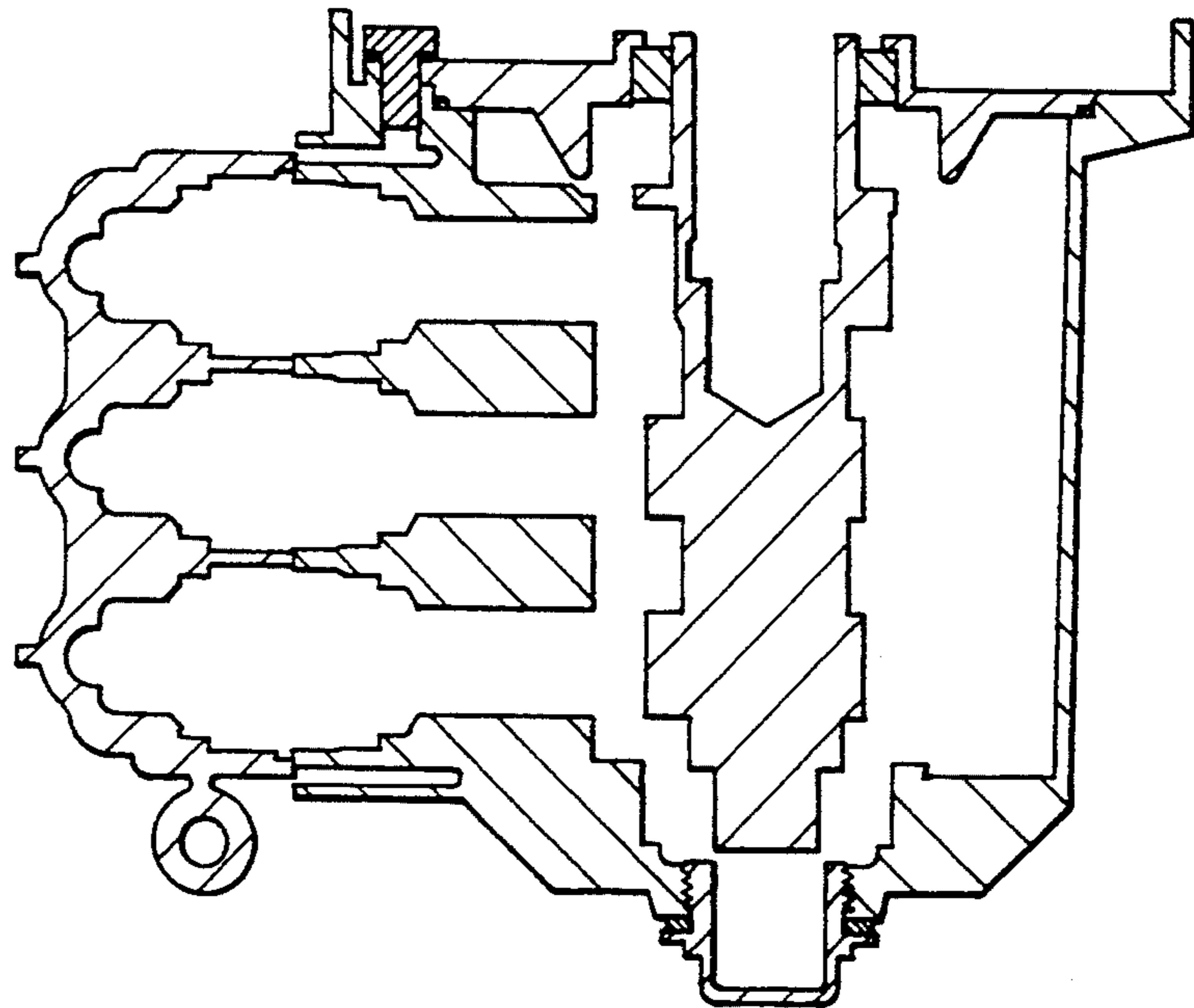
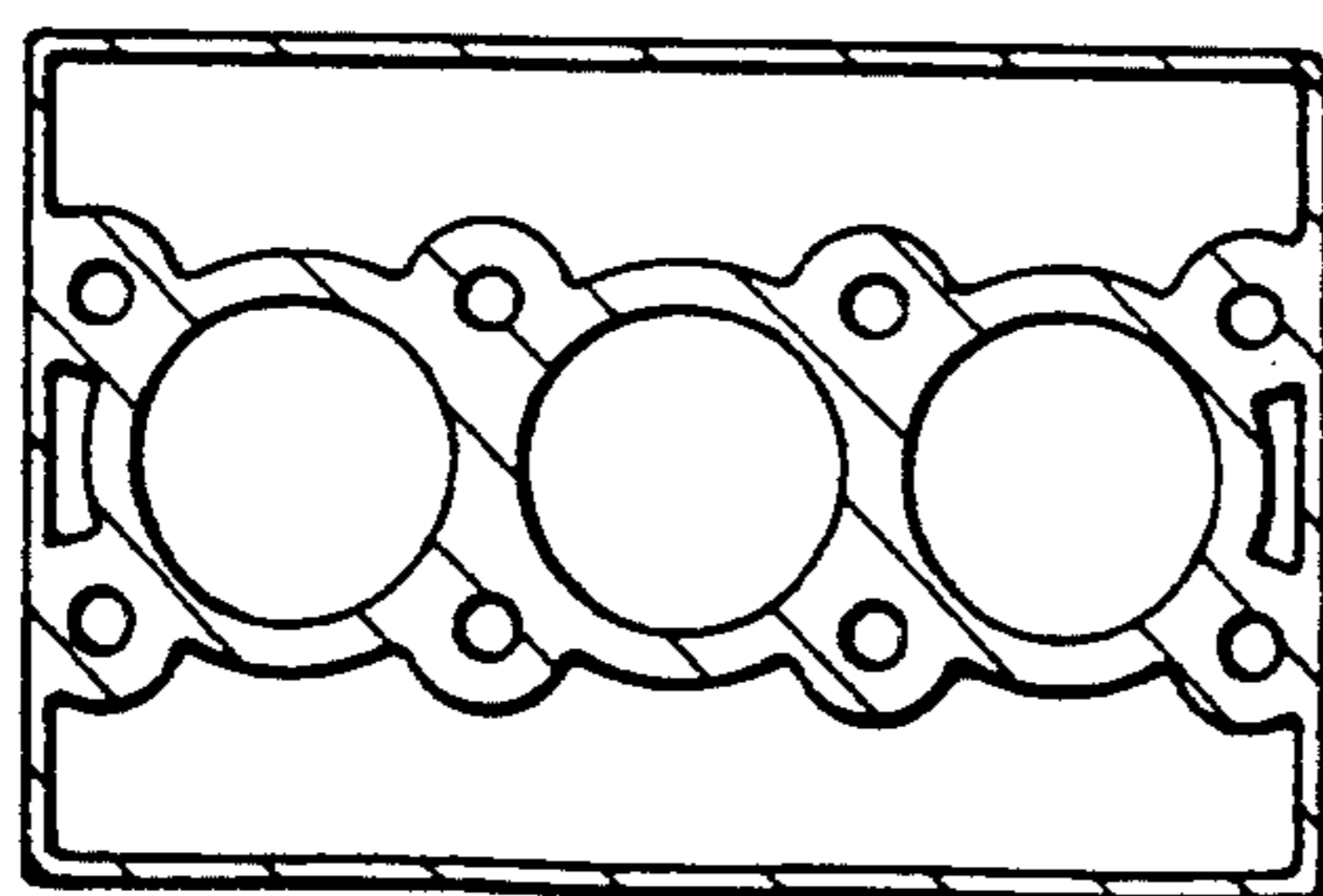


FIG. 11



UNITED STATES PATENT AND TRADEMARK OFFICE
CERTIFICATE OF CORRECTION

PATENT NO. : Des. 354,495
DATED : January 17, 1995
INVENTOR(S) : Nobuo TOJO

It is certified that error appears in the above-identified patent and that said Letters Patent is hereby corrected as shown below:

On the title page, item [75] should read --Nobuo Tojo, Mobarra, Japan--.

Signed and Sealed this
Twentieth Day of June, 1995

Attest:



BRUCE LEHMAN

Attesting Officer

Commissioner of Patents and Trademarks