



US00D354491S

# United States Patent [19] Ditch

[11] **Patent Number: Des. 354,491**  
[45] **Date of Patent: \*\* Jan. 17, 1995**

[54] **BOOM CLAMP**  
[75] **Inventor: Kevin Ditch, Melville, Mo.**  
[73] **Assignee: American Trading and Production Corporation, Baltimore, Md.**  
[\*\*] **Term: 14 Years**  
[21] **Appl. No.: 11,912**  
[22] **Filed: Aug. 17, 1993**  
[52] **U.S. Cl. .... D14/229; D8/396**  
[58] **Field of Search ..... D8/396; D14/229, 225, D14/226, 227, 228; 248/225.31, 229, 230; 381/169, 91**

*Assistant Examiner—Nanda Bondade*  
*Attorney, Agent, or Firm—Cohn, Powell & Hind*

[57] **CLAIM**

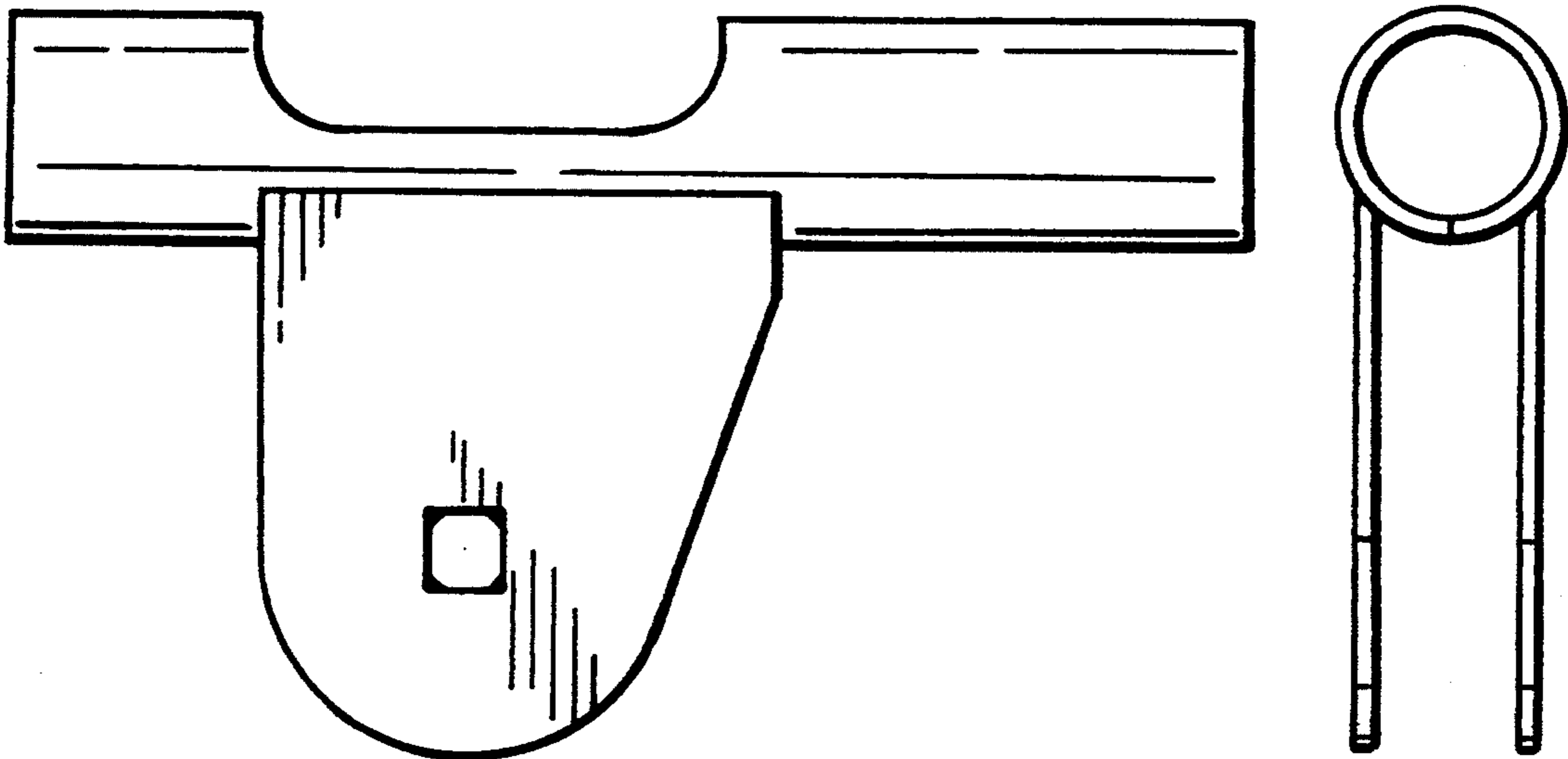
The ornamental design for a boom clamp, as shown and described.

**DESCRIPTION**

FIG. 1 is a perspective view of a boom clamp showing my new design, the broken line showing of the microphone stand and boom is for illustrative purposes only and forms no part of the claimed design;  
FIG. 2 is a top plan view thereof;  
FIG. 3 is a front elevational view thereof;  
FIG. 4 is a right side elevational view thereof;  
FIG. 5 is a left side elevational view thereof;  
FIG. 6 is a rear elevational view thereof;  
FIG. 7 is a bottom plan view thereof;  
FIG. 8 is a top plan view of an alternate embodiment of that shown in FIG. 1;  
FIG. 9 is a front elevation view of FIG. 8;  
FIG. 10 is a top plan view of an alternate embodiment of that shown in FIG. 1; and,  
FIG. 11 is a front elevation view of FIG. 10.  
The side views not shown of the alternate embodiments are the same as those of the first embodiment.

[56] **References Cited**  
**U.S. PATENT DOCUMENTS**  
D. 305,026 12/1989 Wolf ..... D14/229  
4,046,974 9/1977 Baumhauer, Jr. et al. .... 381/91  
**FOREIGN PATENT DOCUMENTS**  
2235607 3/1991 United Kingdom ..... 381/169  
2235851 3/1991 United Kingdom ..... 381/169

*Primary Examiner—Terry A. Wallace*



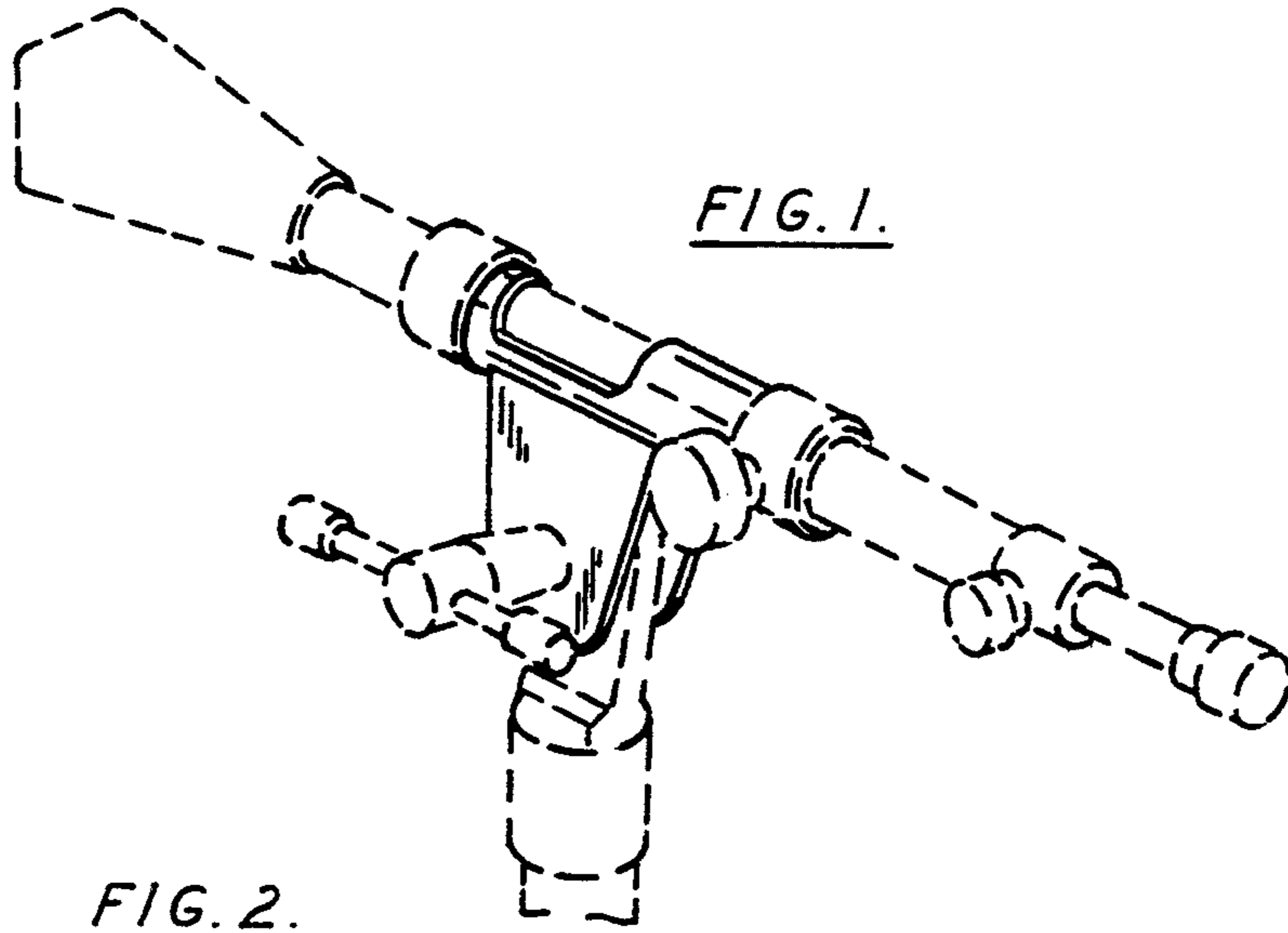


FIG. 2.

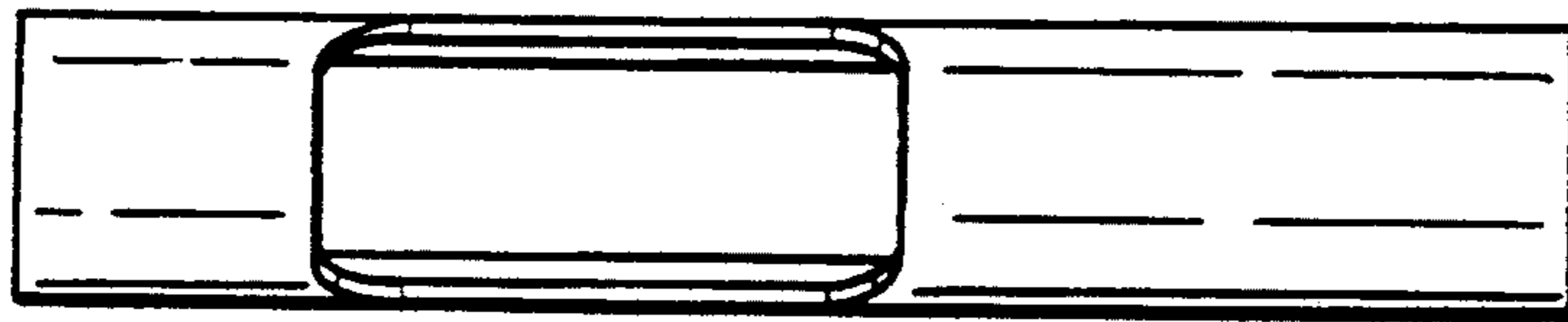


FIG. 5.

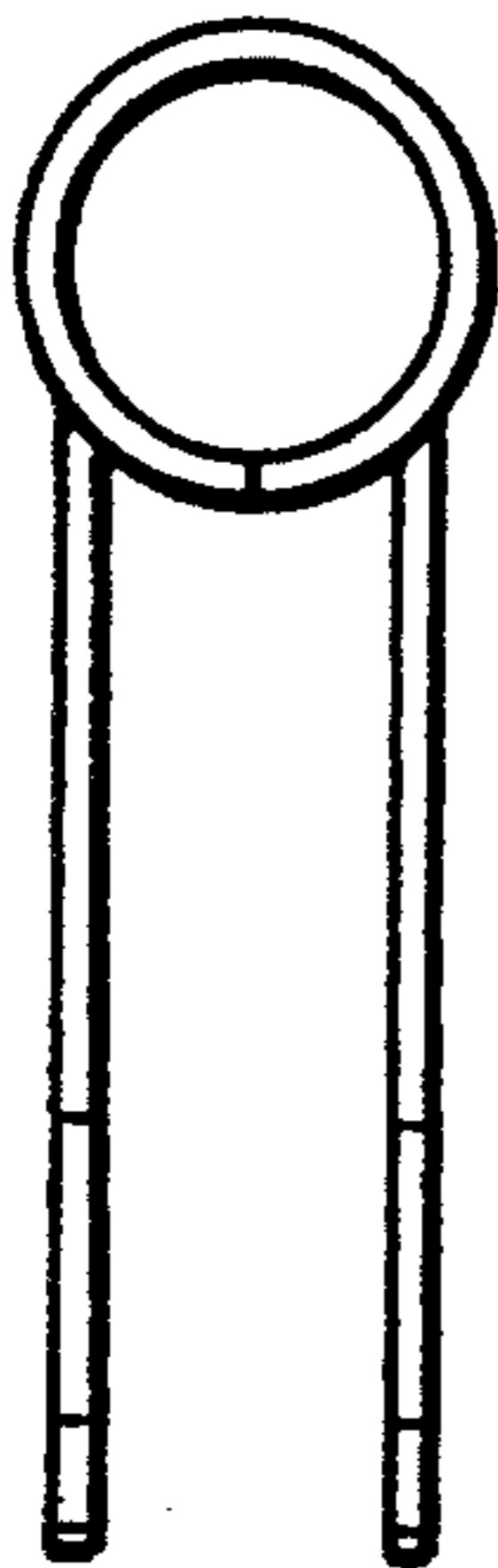


FIG. 4.

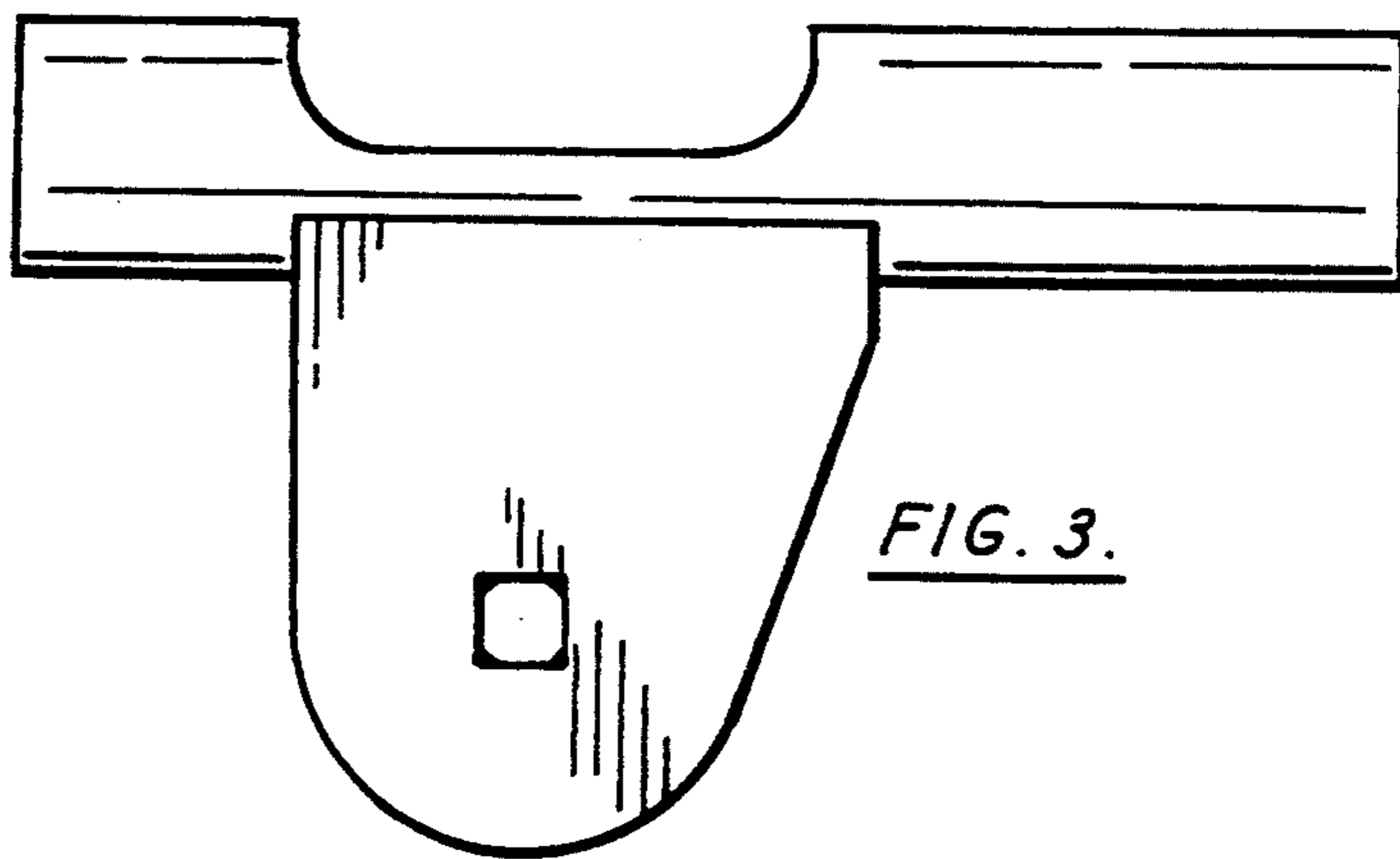
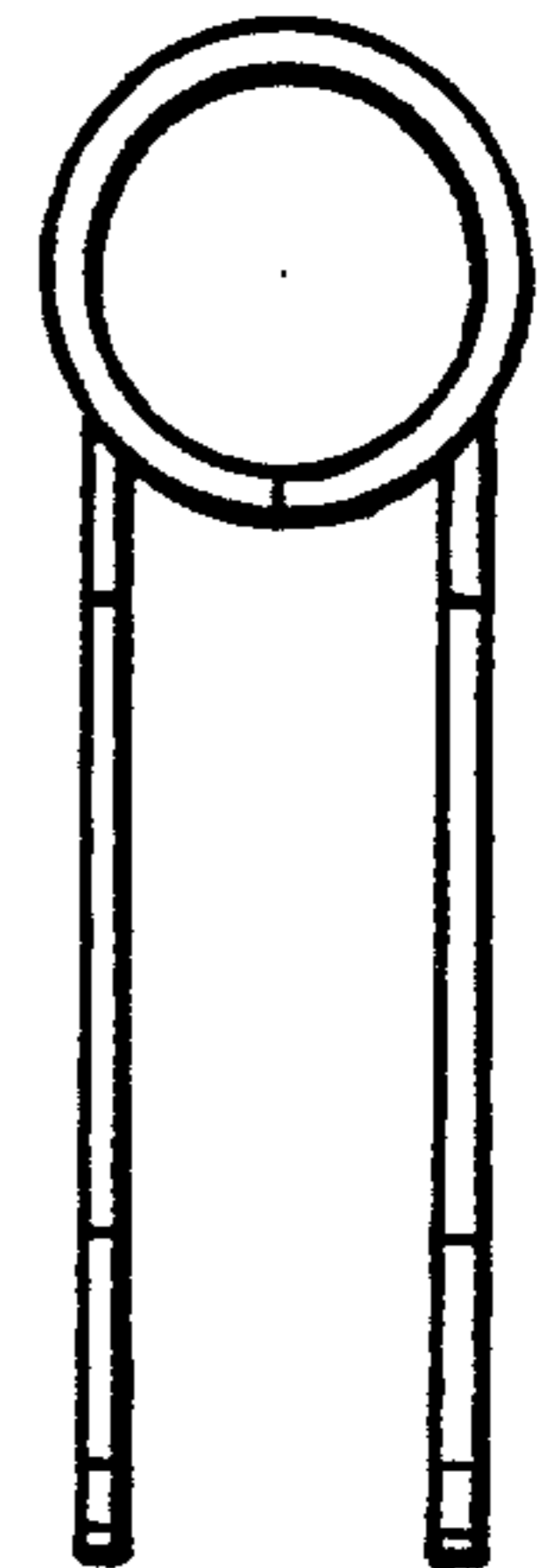


FIG. 3.

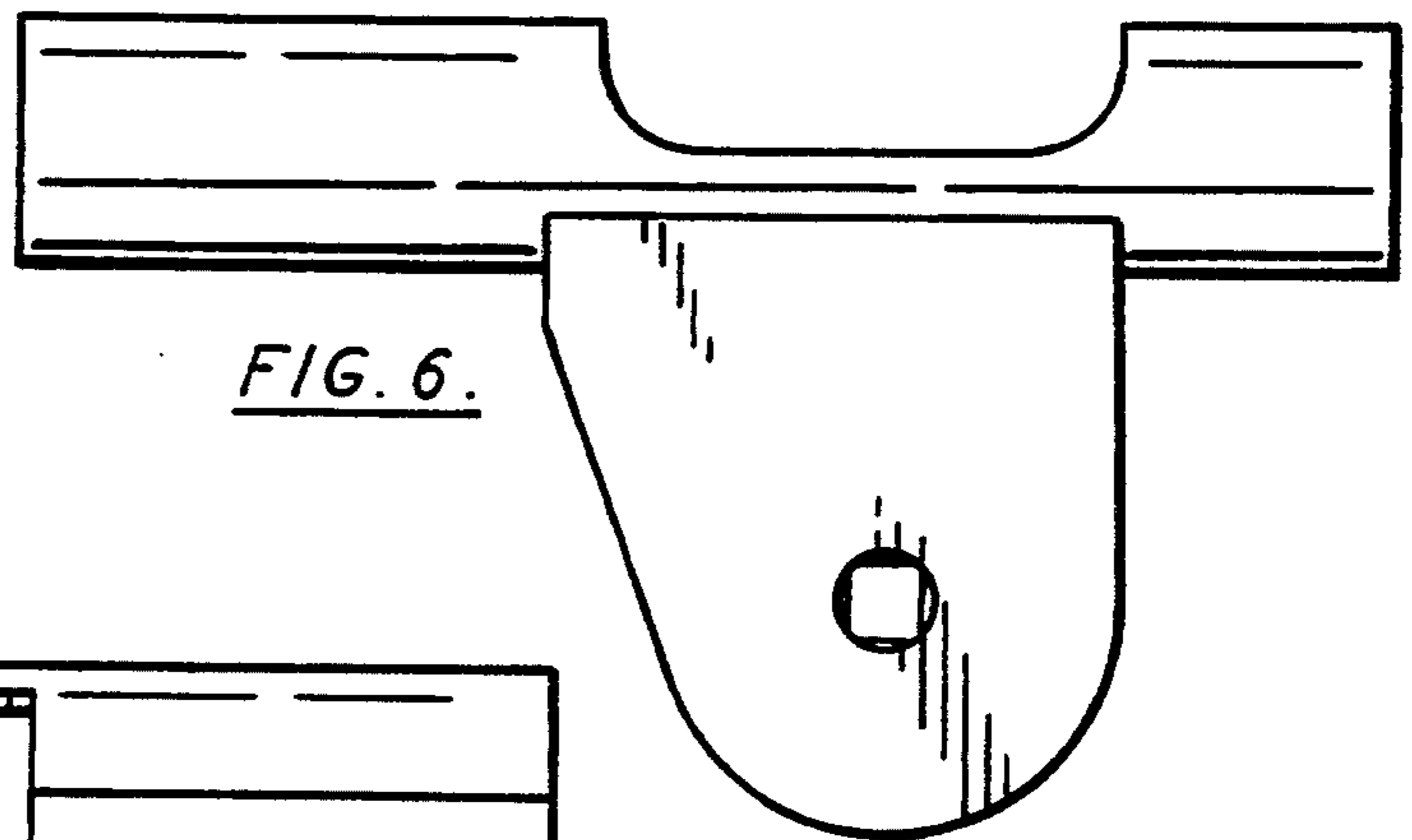


FIG. 6.

FIG. 7.



FIG. 8.

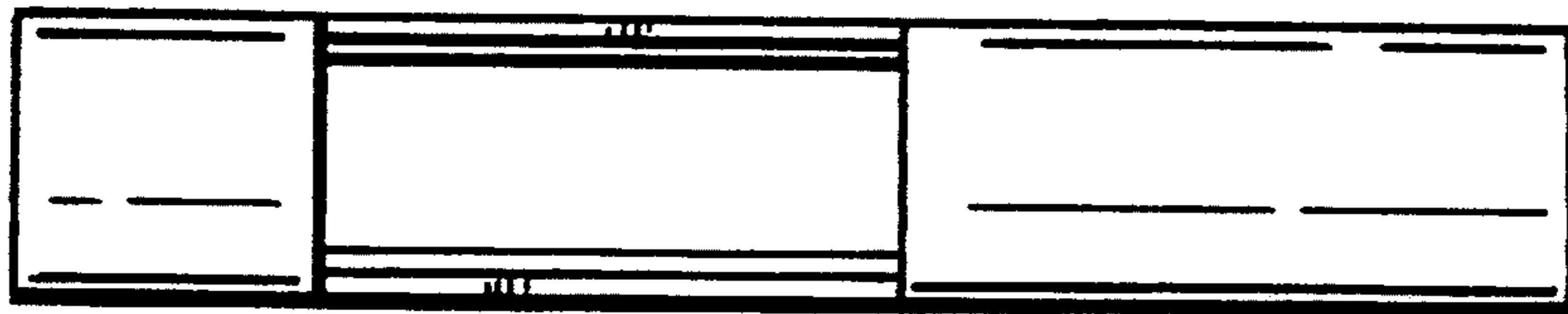


FIG. 9.

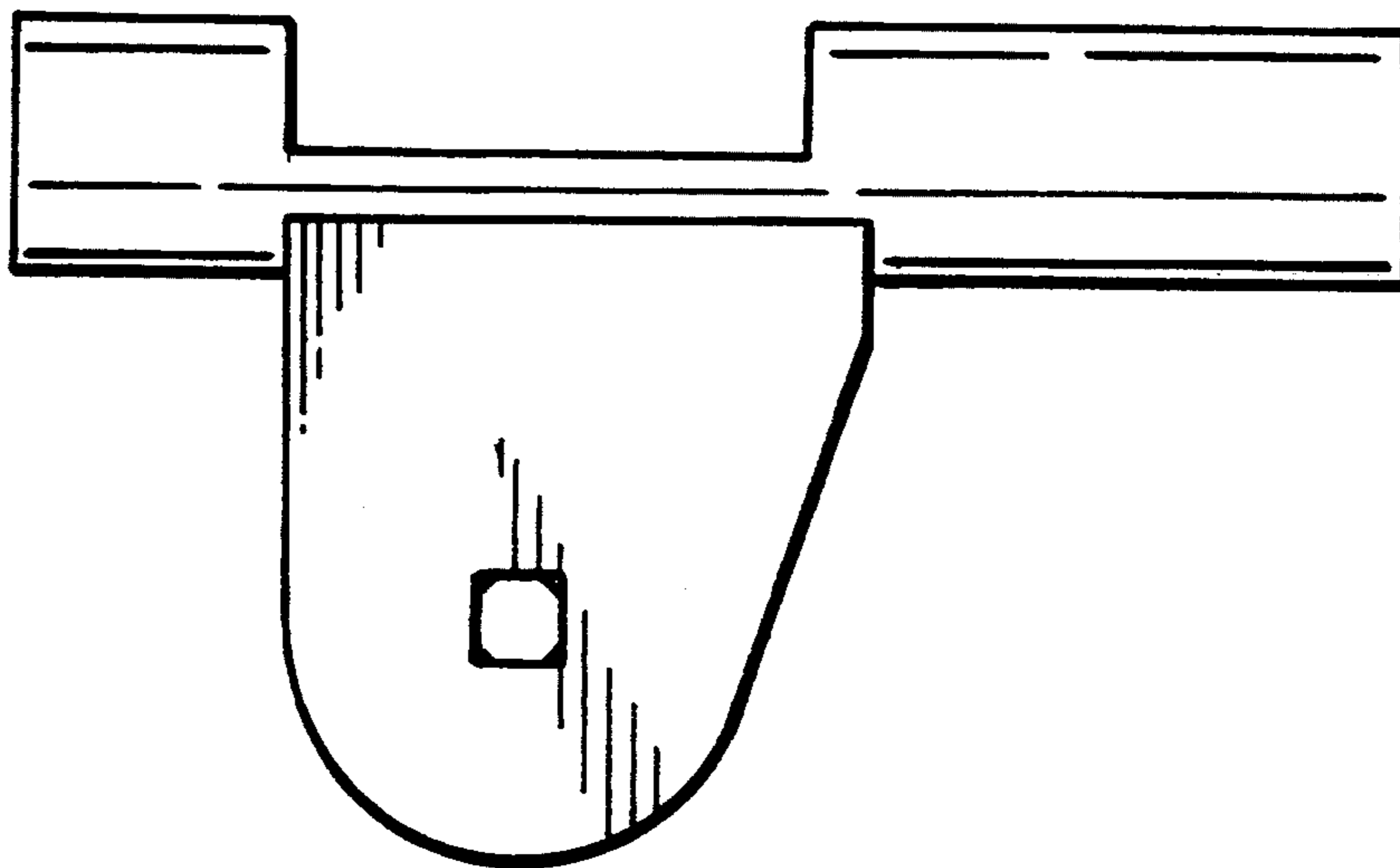


FIG. 10.

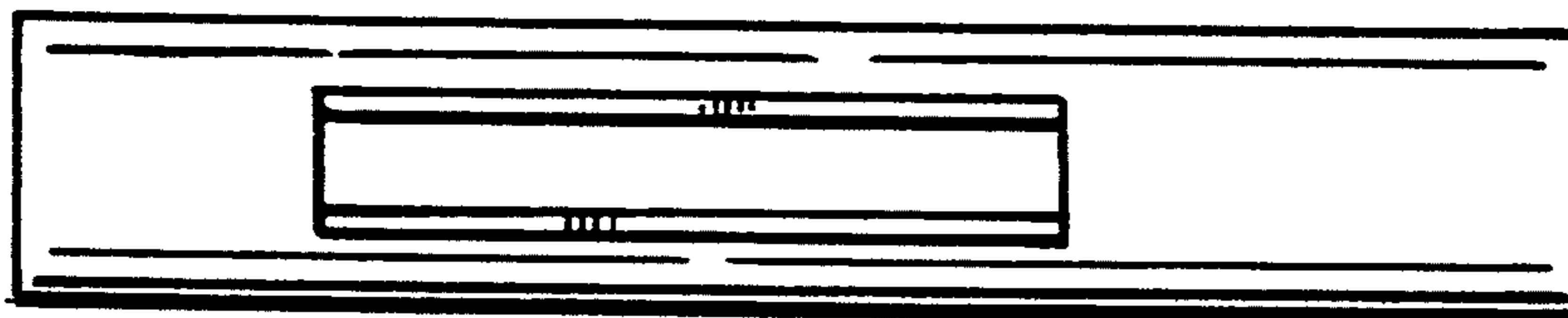


FIG. 11.

