



US00D354483S

# United States Patent [19]

[11] Patent Number: **Des. 354,483**

**Yamazaki**

[45] Date of Patent: **\*\* Jan. 17, 1995**

[54] **COMBINED FLAT PANEL DISPLAY WITH A MICROPHONE AND SPEAKERS**

4,763,356 8/1988 Day, Jr. et al. .... 379/368  
4,862,151 8/1989 Grauz et al. .... 340/706

[75] Inventor: **Kazuhiko Yamazaki, Hiratuka, Japan**

### OTHER PUBLICATIONS

[73] Assignee: **International Business Machines Corporation, Armonk, N.Y.**

Computer Graphics Review—Mar. 1990 p. 27  
HDG-1212D Puma Pro Digitizer—Group 290.

[\*\*] Term: **14 Years**

*Primary Examiner*—Freda S. Nunn  
*Attorney, Agent, or Firm*—Joseph C. Redmond, Jr.; John E. Hoel; Jeffrey S. Labaw

[21] Appl. No.: **702,682**

### [57] CLAIM

[22] Filed: **May 20, 1991**

[52] U.S. Cl. .... **D14/113; D14/100**

[58] Field of Search ..... D14/100, 106, 113, 137,  
D14/140, 125, 126, 129, 239; D13/137, 140;  
340/700, 706, 712; 364/708, 900, 709; 33/443;  
178/18, 19; D19/52; D16/221-225, 235;  
358/250

The ornamental design for the combined flat panel display with a microphone and speakers.

### DESCRIPTION

### [56] References Cited

#### U.S. PATENT DOCUMENTS

D. 276,732	12/1984	Marquez	.....	D19/52
D. 302,161	7/1989	Siddoway et al.	.....	D14/137 X
D. 302,271	7/1989	Watanabe	.....	D14/140
D. 308,055	5/1990	Tedham et al.	.....	D19/52 X
D. 319,434	8/1991	Lund	.....	D14/100
D. 321,346	11/1991	Sugiyama	.....	D14/129
D. 323,155	1/1992	Hino et al.	.....	D14/100
3,344,709	10/1967	Taylor	.....	D16/225 X
4,274,093	6/1981	Judge	.....	340/712
4,310,839	1/1982	Schwerdt	.....	340/712
4,488,254	12/1984	Ward	.....	364/900
4,545,023	10/1985	Mizzi	.....	364/709
4,611,406	9/1986	Engstrom et al.	.....	33/443

FIG. 1 is a reduced right front perspective view of a combined flat panel display with a microphone and speakers showing my new design with the left and right speaker disclosed;

FIG. 2 is a front elevational view thereof the undisclosed rear view is flat and unornamented;

FIG. 3 is a left side elevational view thereof;

FIG. 4 is a right side elevational view thereof;

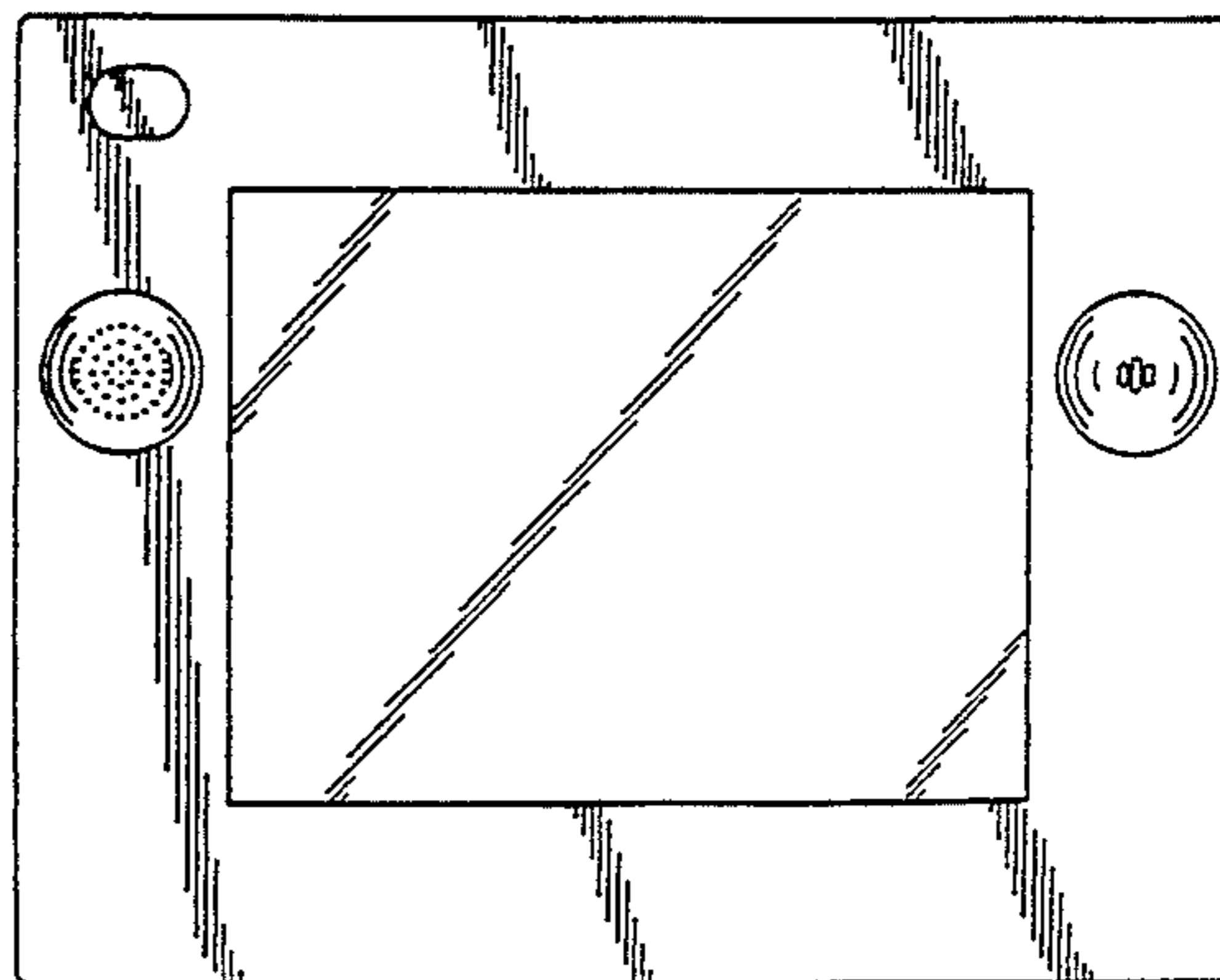
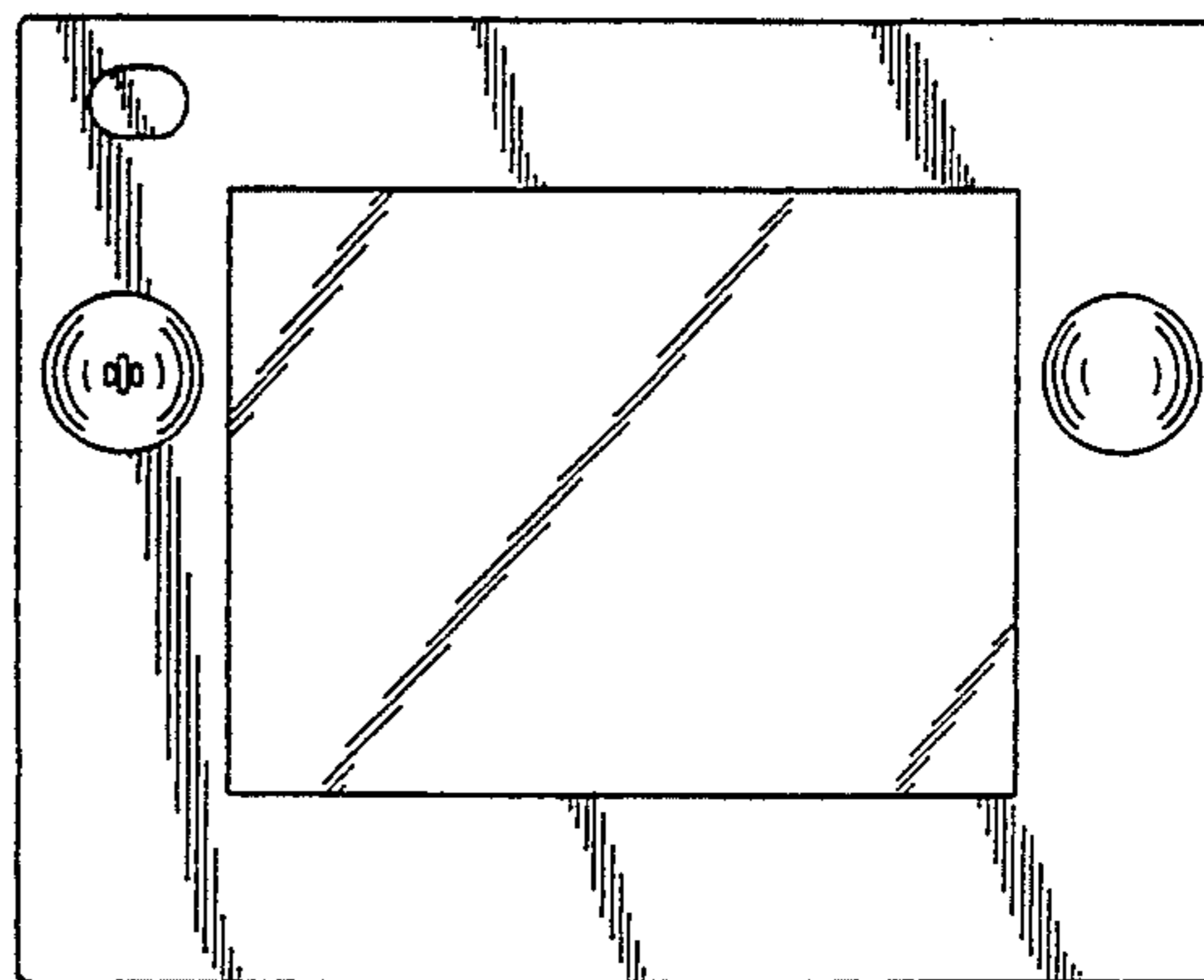
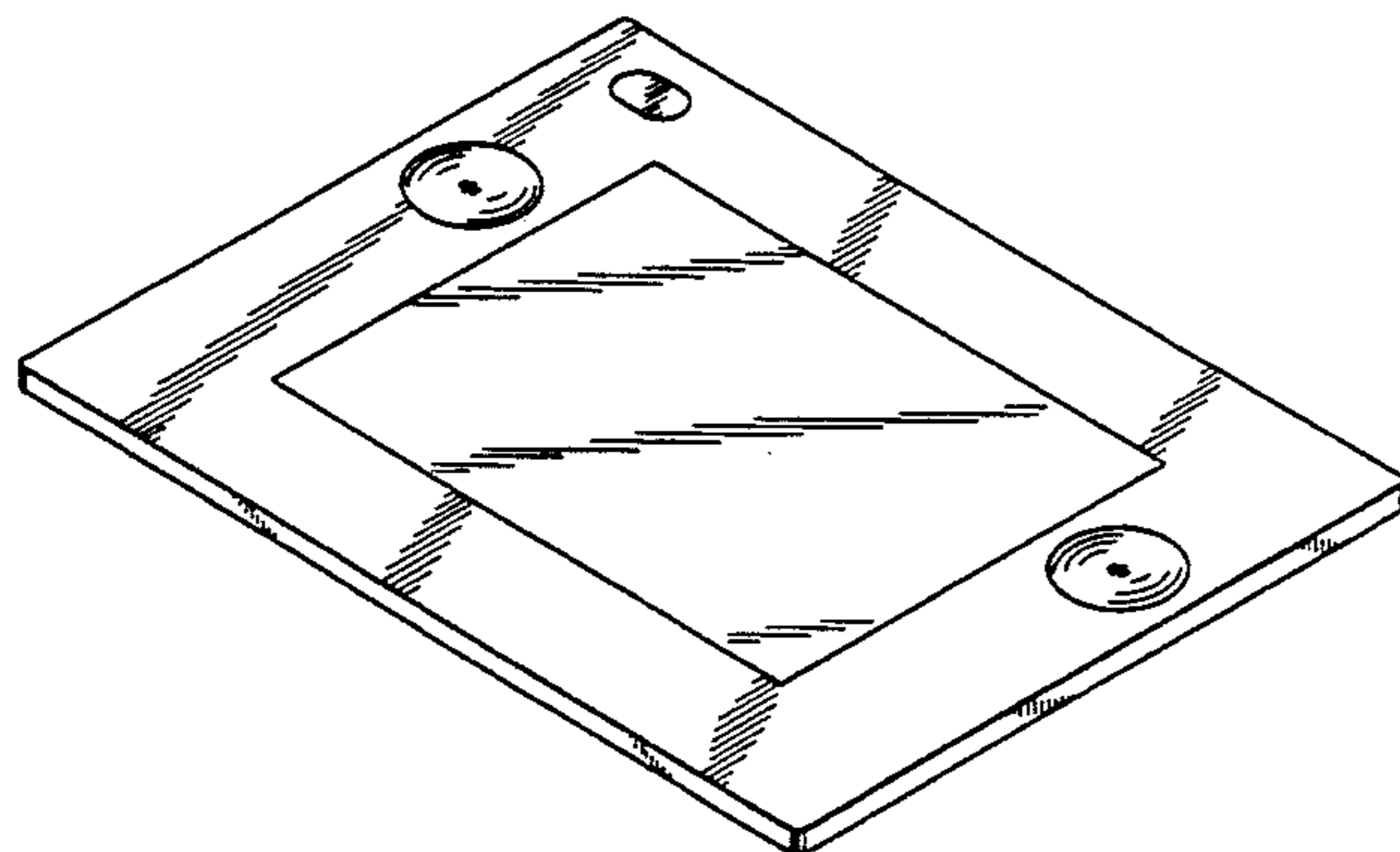
FIG. 5 is a bottom plan view thereof;

FIG. 6 is a top plan view thereof;

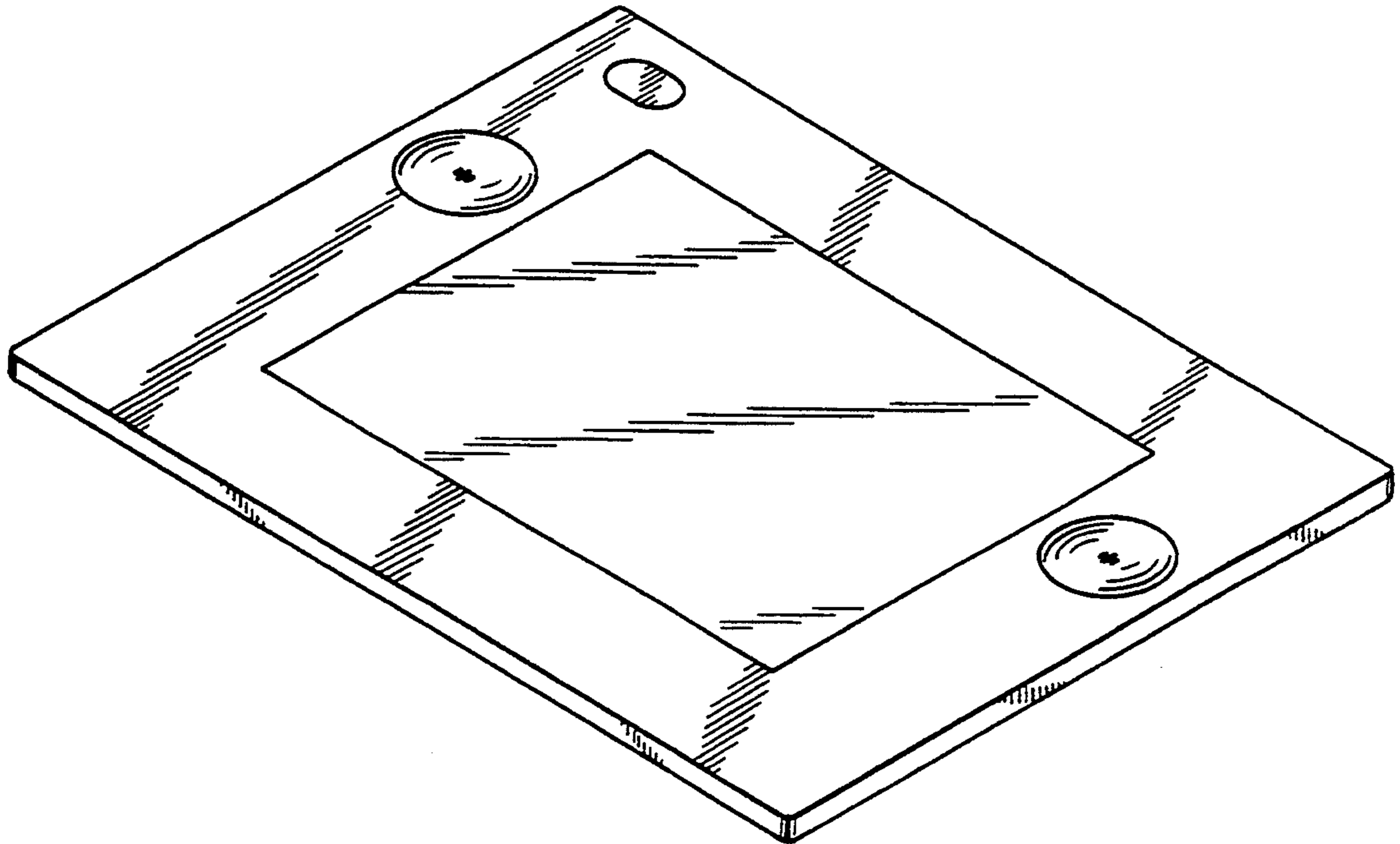
FIG. 7 is a front elevational view of a second embodiment thereof with the left speaker only disclosed; and,

FIG. 8 is a front elevational view of a third embodiment thereof with a microphone and right speaker disclosed.

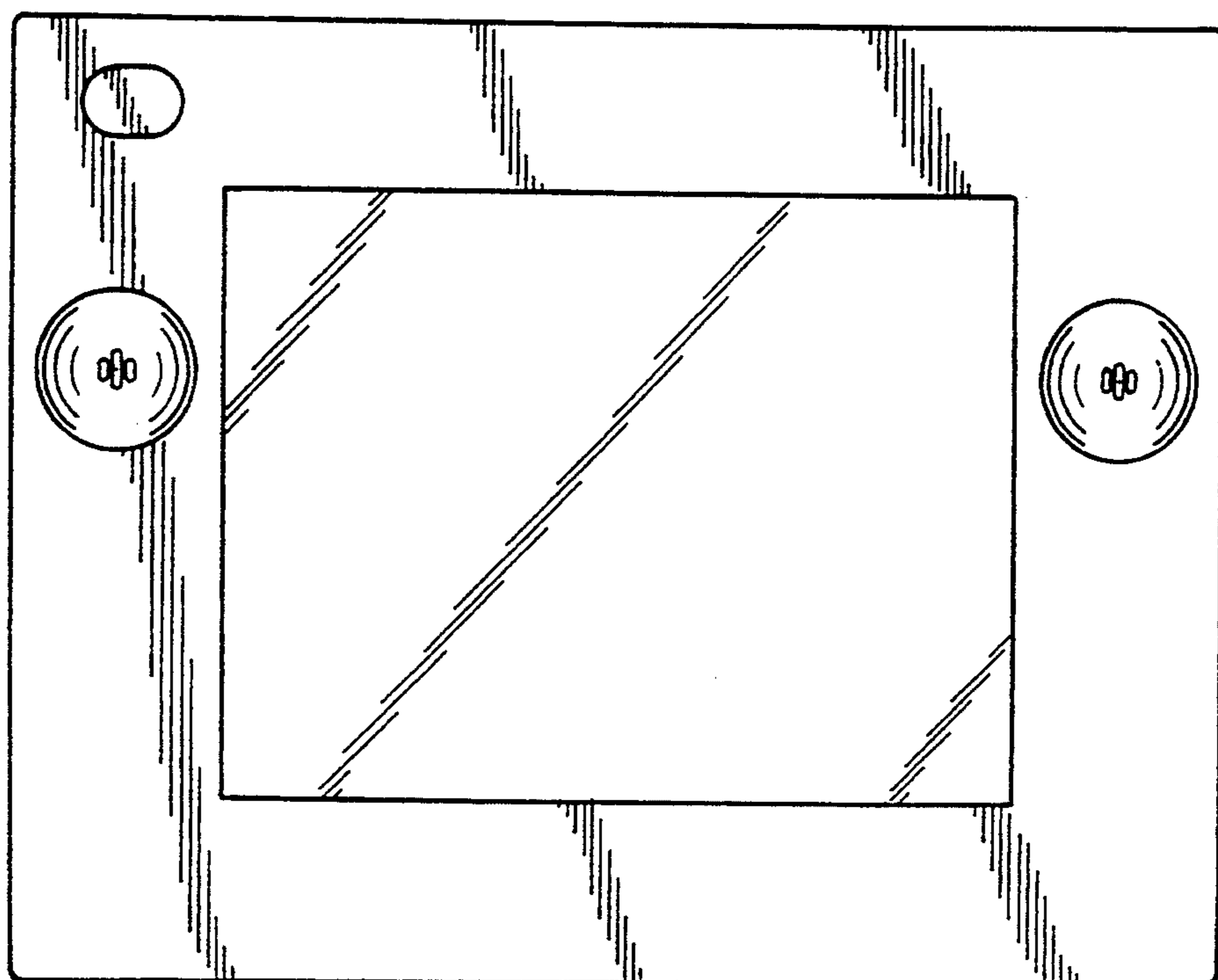
The undisclosed sides, bottom and top views of the second and third embodiments are identical in appearance to those of the first embodiment.



**FIG. 1**



**FIG. 2**



**FIG. 3**



**FIG. 4**



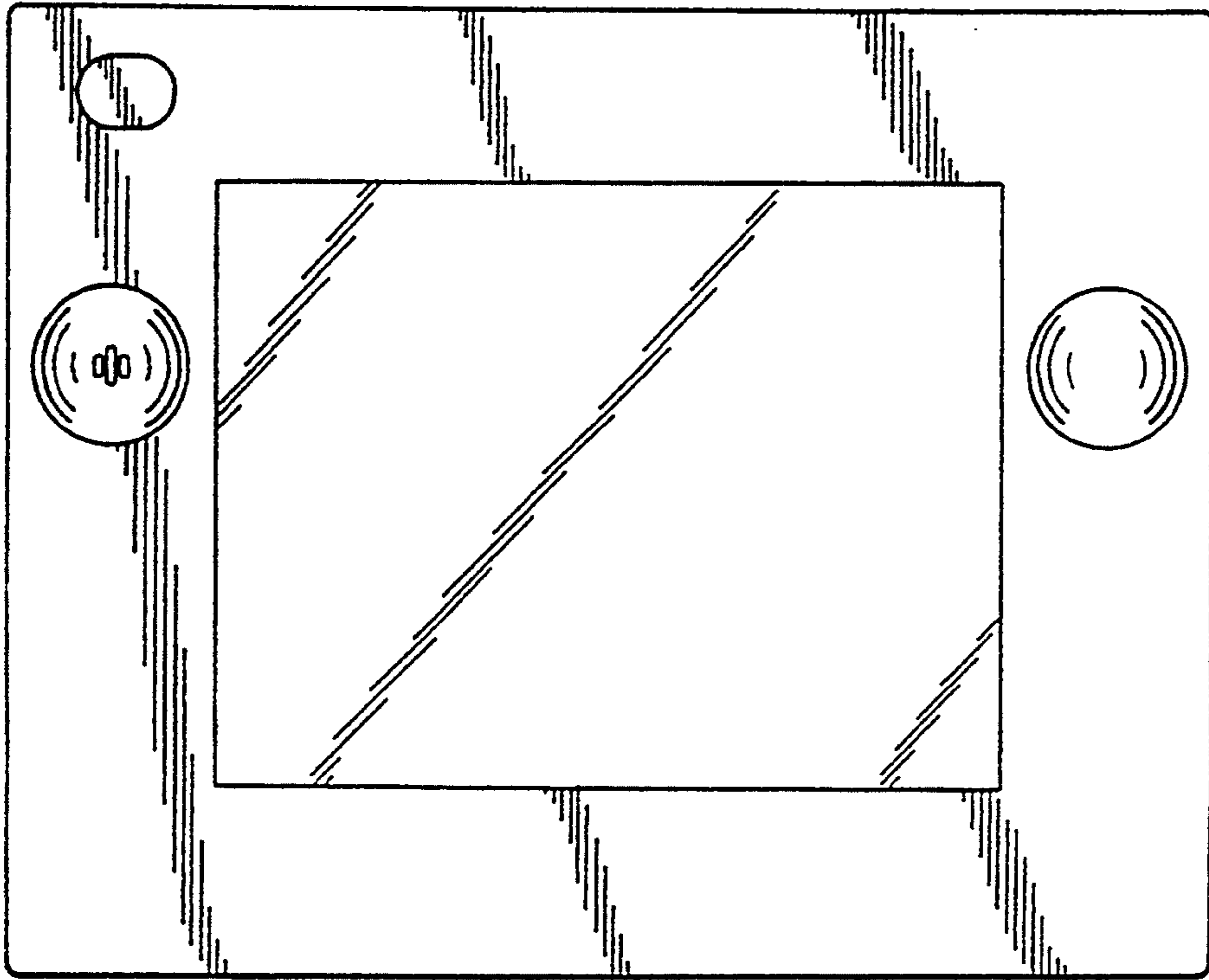
**FIG. 5**



**FIG. 6**



**FIG. 7**



**FIG. 8**

