



US00D354476S

United States Patent [19] Ehrhart

[11] Patent Number: **Des. 354,476**

[45] Date of Patent: **** Jan. 17, 1995**

[54] **INCREMENTAL CODER**

4,806,811 2/1989 Mayumi et al. .

[75] Inventor: **Michel Ehrhart**, Strasbourg, France

OTHER PUBLICATIONS

[73] Assignee: **Hohner Automation, Societe Anonyme**, Eckbolsheim, France

Encoders on p. 350 of Design News, Circle No. 453, Oct. 3, 1988.

[**] Term: **14 Years**

Incremental Encoder on p. 127 of Design News, Feb. 13, 1989.

[21] Appl. No.: **917,275**

Primary Examiner—Wallace R. Burke

[22] Filed: **Jul. 23, 1992**

Assistant Examiner—Joel Sincavage

Attorney, Agent, or Firm—Young & Thompson

Related U.S. Application Data

[62] Division of Ser. No. 425,846, Oct. 20, 1989, abandoned.

Foreign Application Priority Data

Apr. 20, 1989 [FR] France 606

[52] U.S. Cl. **D13/122**

[58] Field of Search D13/112, 123, 122, 158,
D13/162; 318/254, 619, 621, 622; 388/812, 902,
912; 310/43.68 R; 361/395

[57] CLAIM

The ornamental design for an incremental coder, as shown and described.

DESCRIPTION

FIG. 1 is a front and upper left perspective view of an incremental coder showing my new design;

FIG. 2 is a rear and upper left perspective view thereof;

FIG. 3 is a top plan view thereof;

FIG. 4 is a bottom plan view thereof;

FIG. 5 is a front elevational view thereof;

FIG. 6 is a rear elevational view thereof; and,

FIG. 7 is a side elevational view thereof from the left of FIG. 5, the side opposite that shown in FIG. 7 being the mirror image thereof.

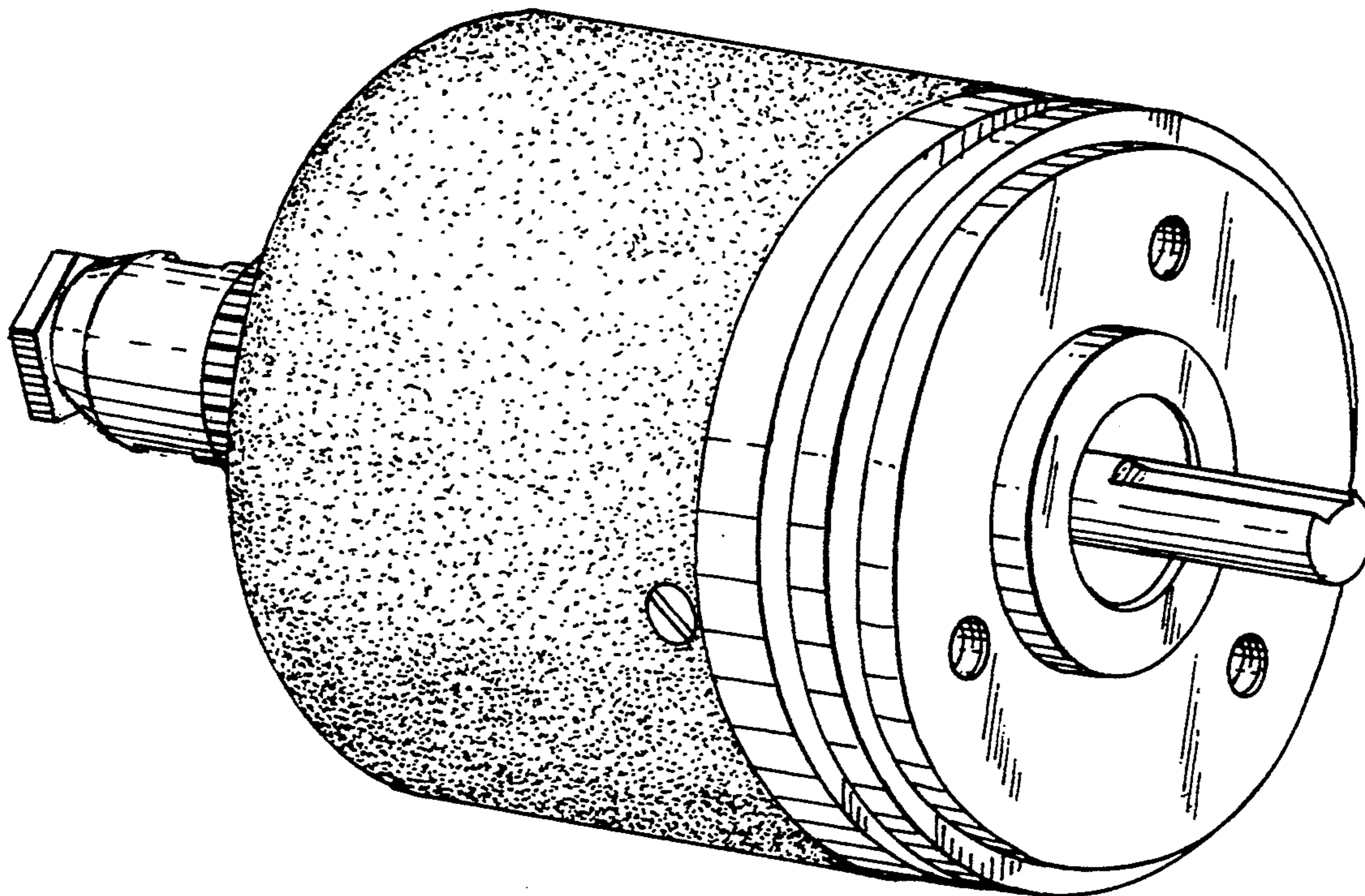
[56] References Cited

U.S. PATENT DOCUMENTS

D. 213,563 3/1969 Mabuchi .

D. 298,228 10/1988 Hoshino .

4,728,834 3/1988 Kumar et al. .



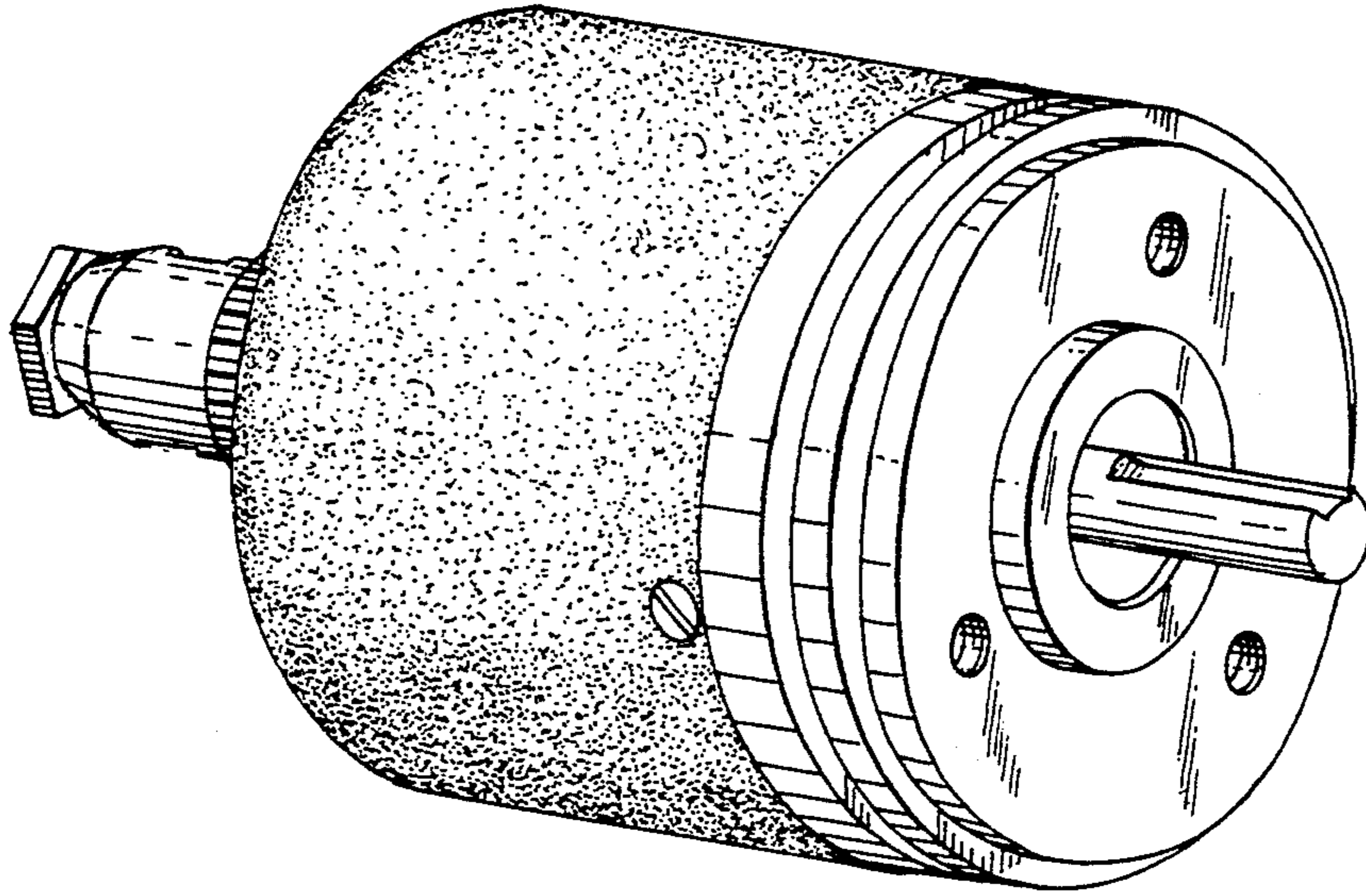
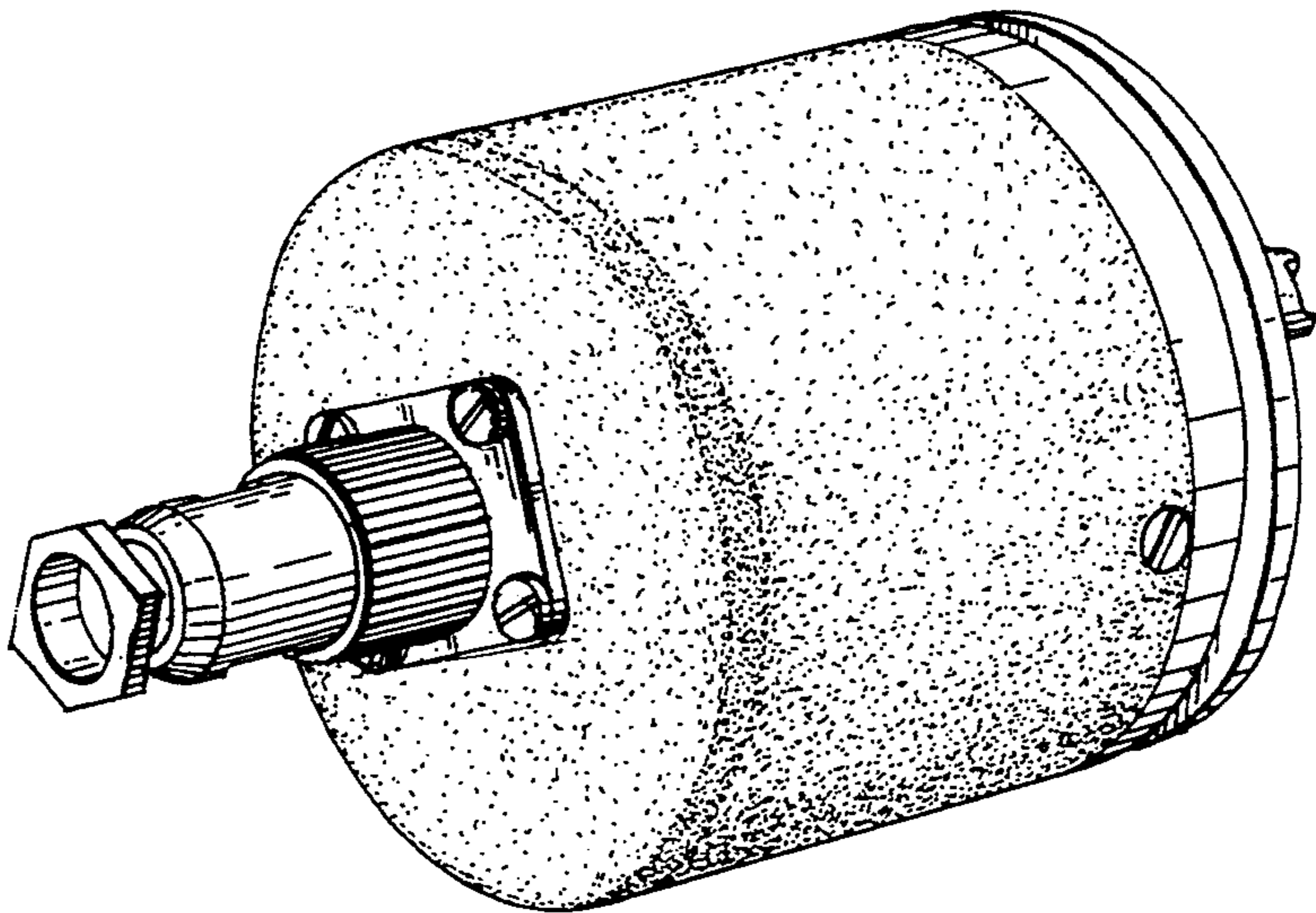


FIG. 1

FIG. 2



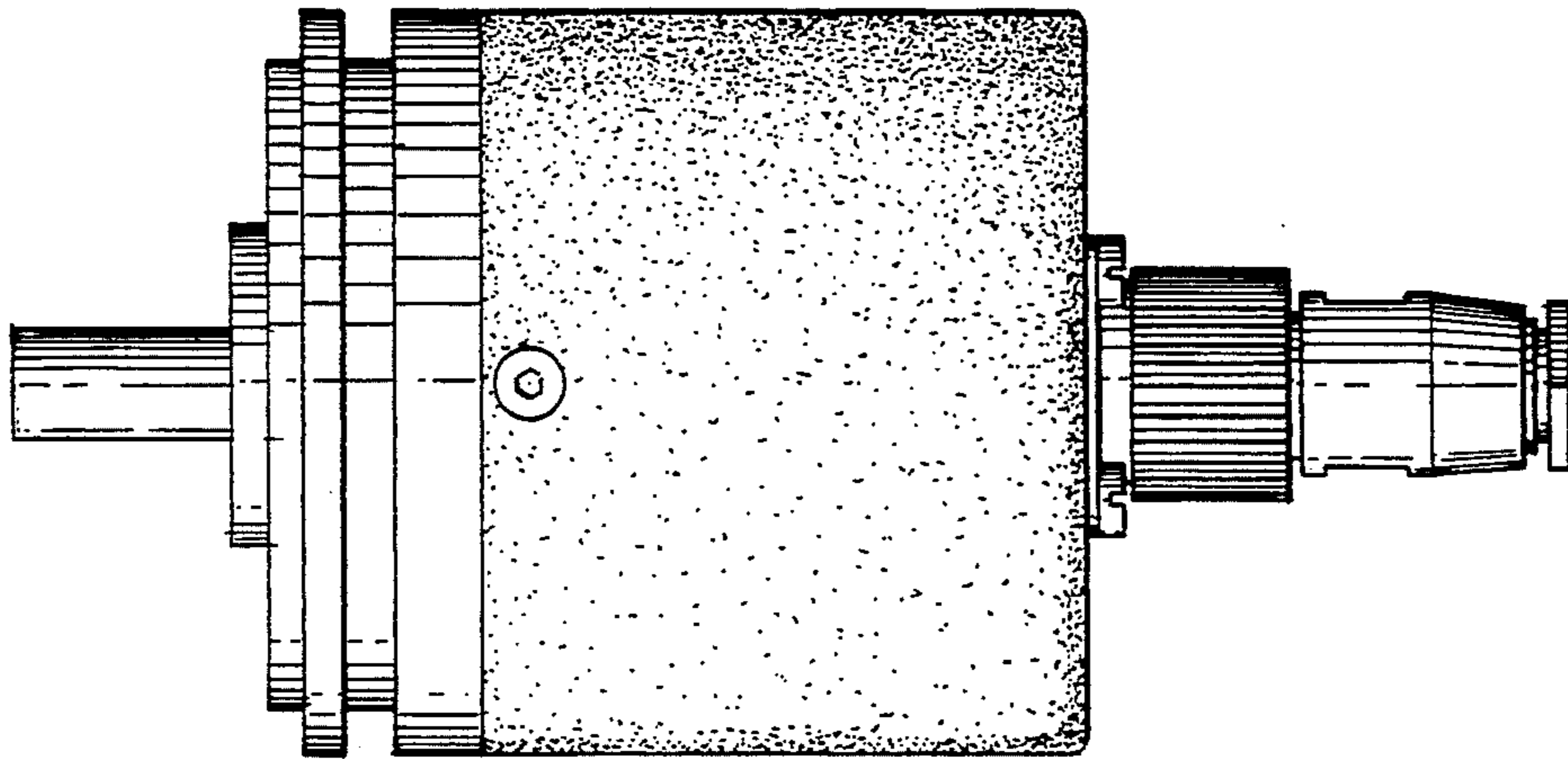


FIG. 4

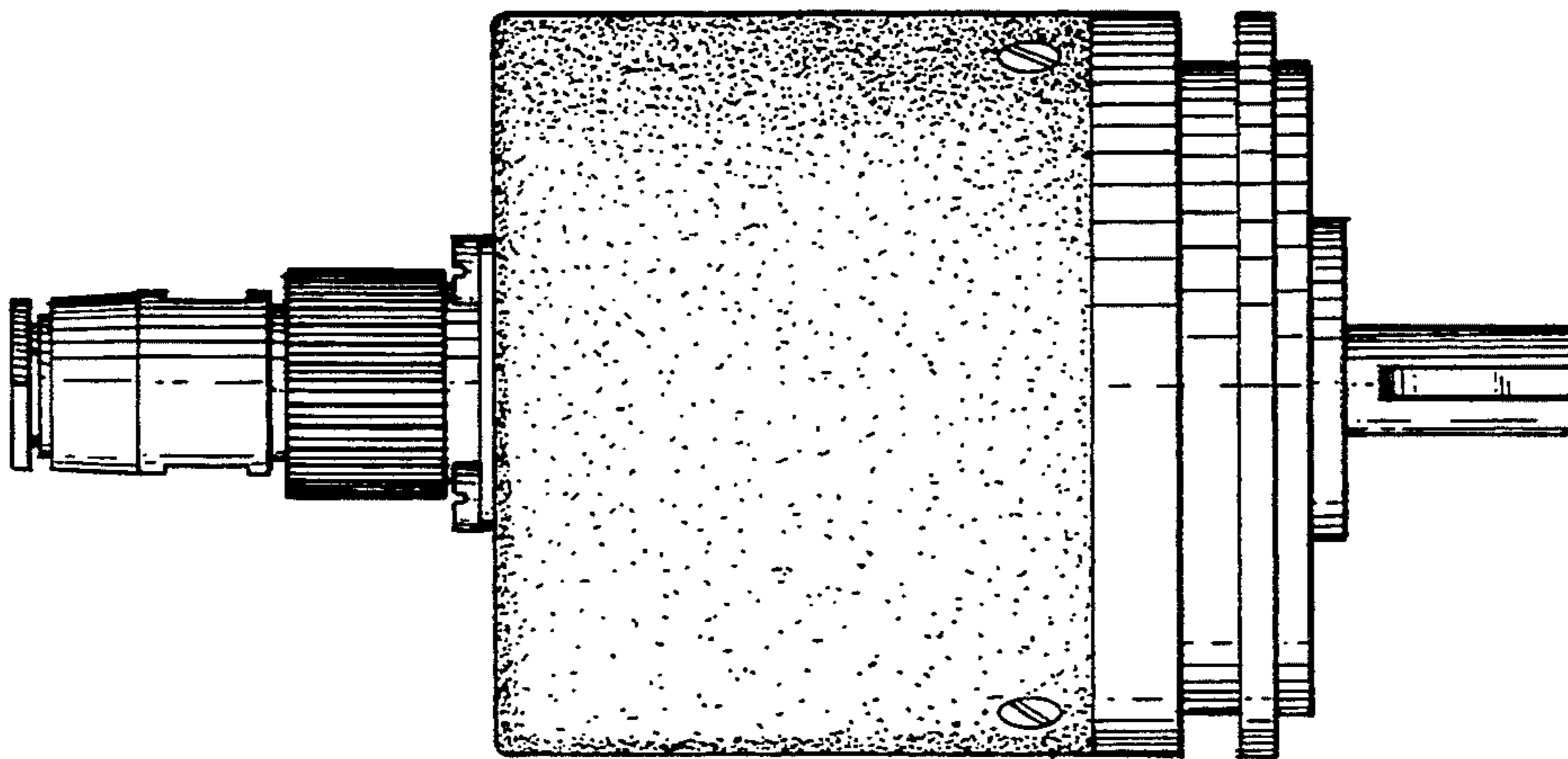


FIG. 3

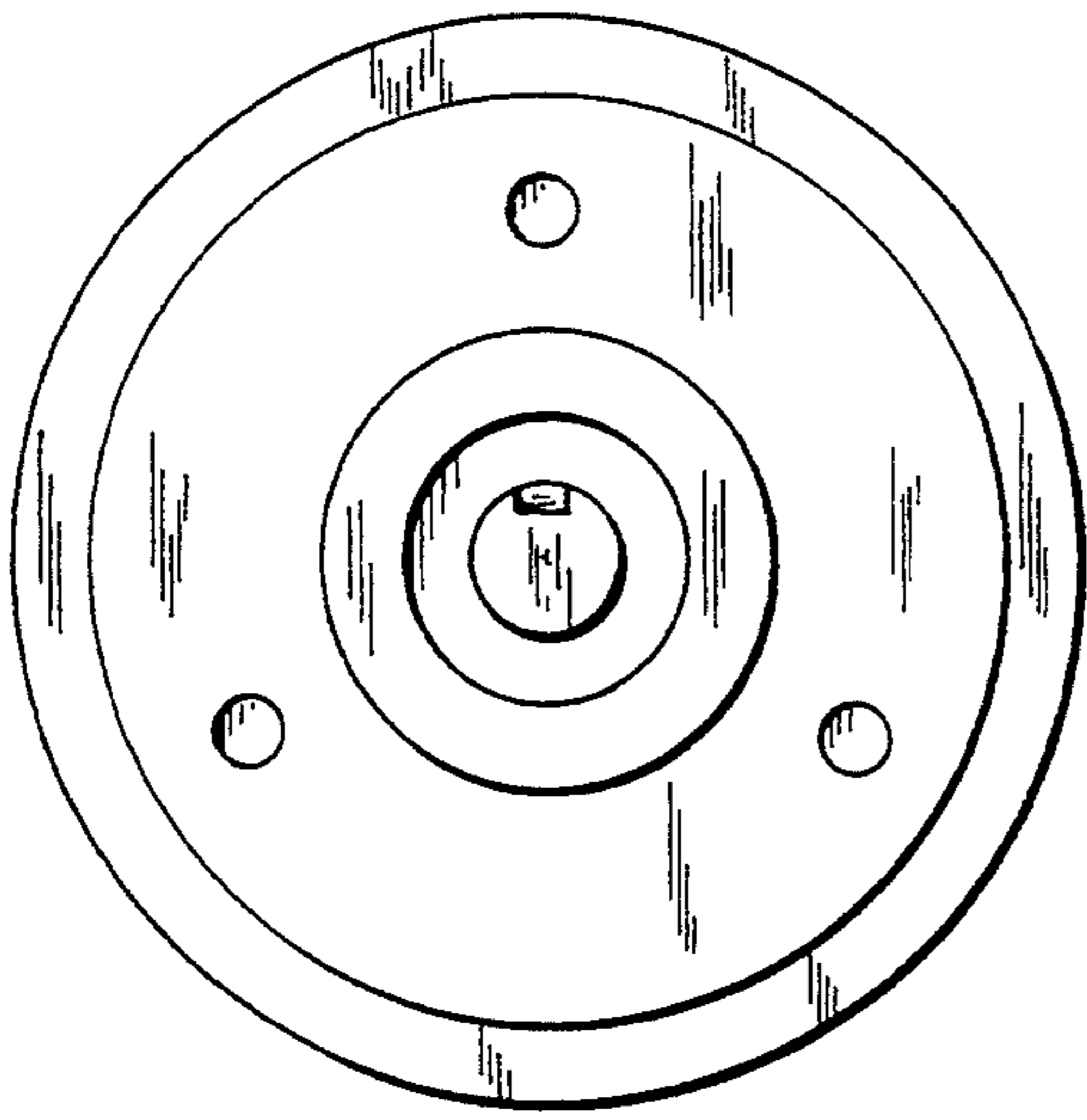


FIG. 5

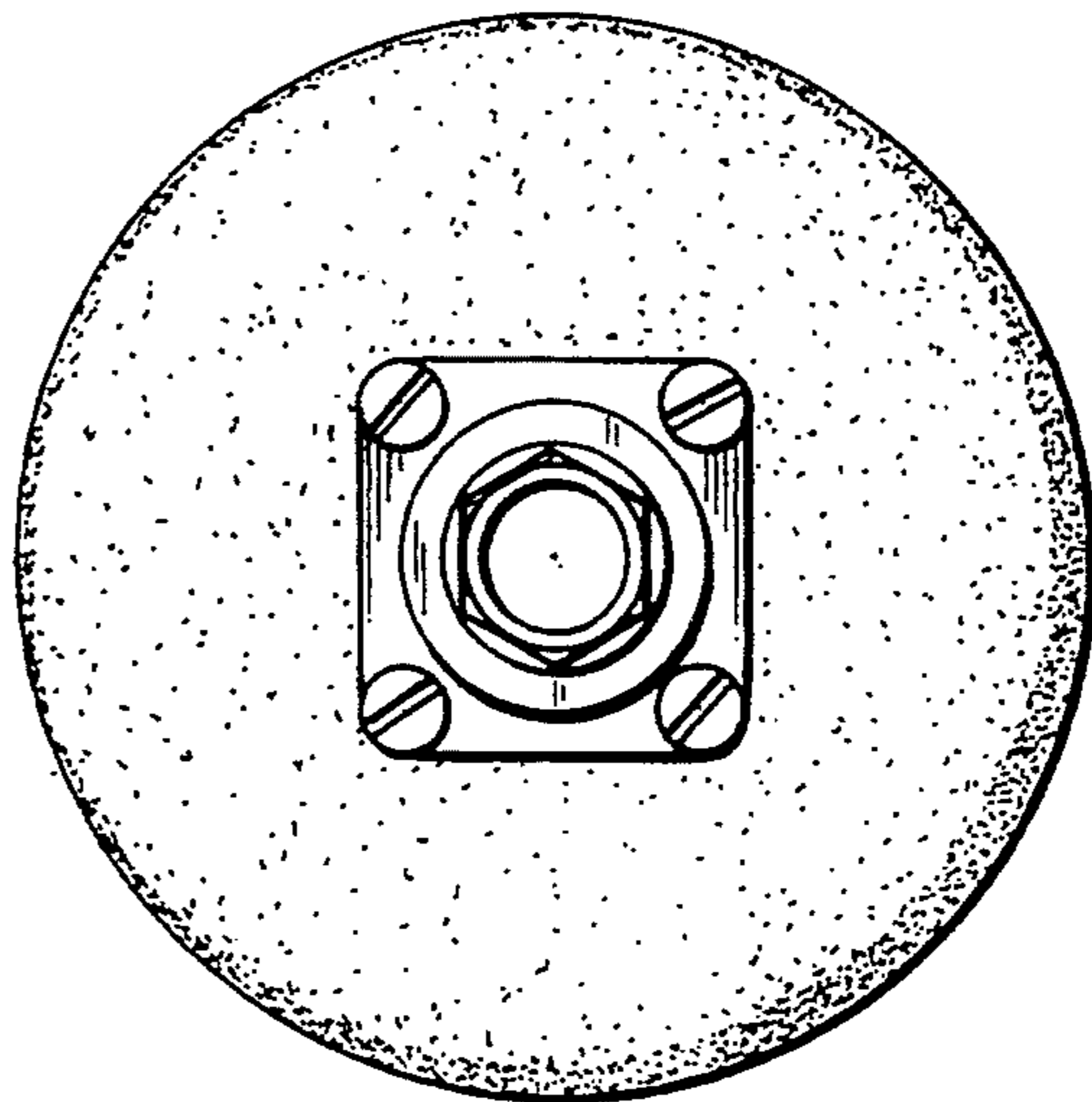


FIG. 6

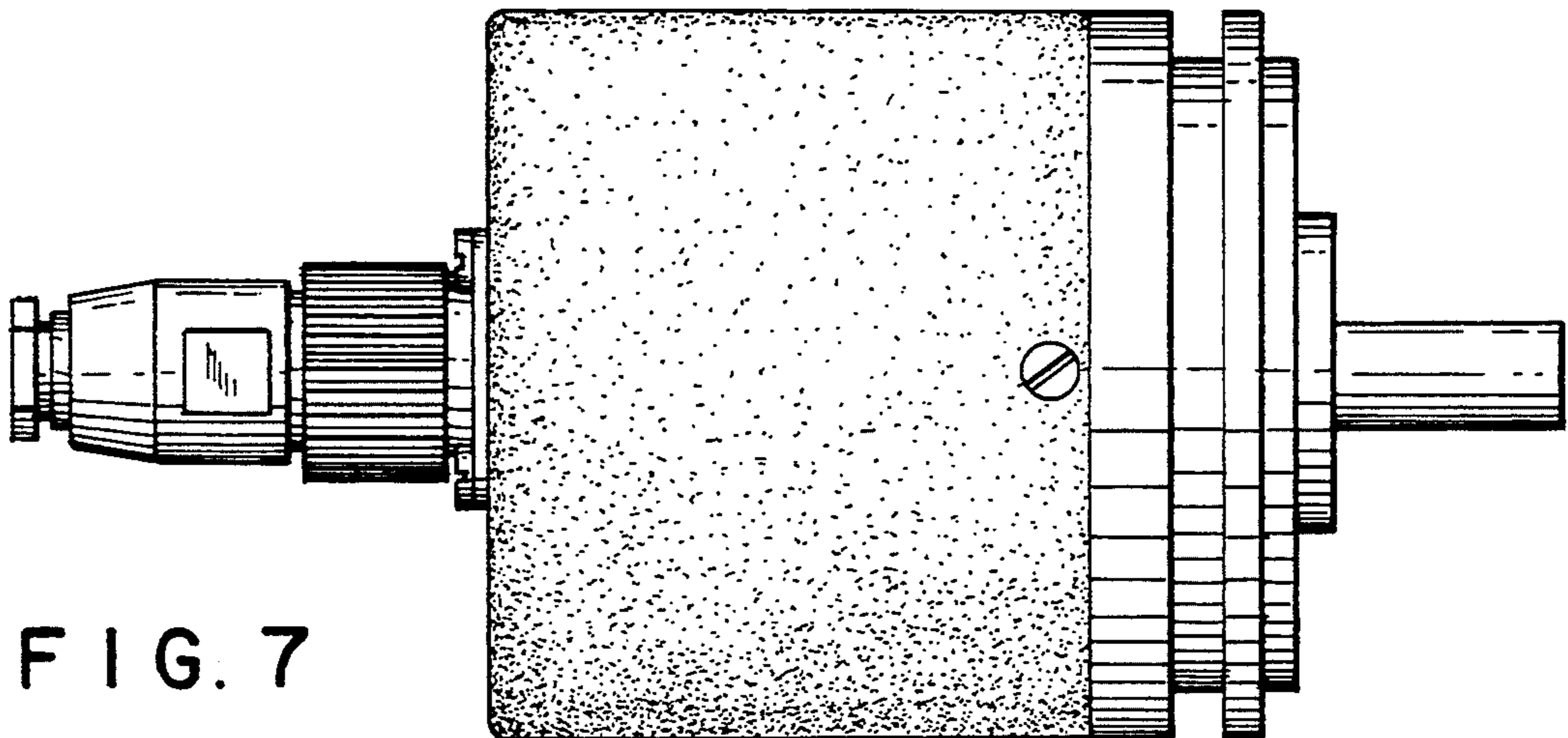


FIG. 7