



US00D354473S

United States Patent [19]

[11] Patent Number: **Des. 354,473**

Lee

[45] Date of Patent: **** Jan. 17, 1995**

[54] **VEHICLE WINDSHIELD WIPER UNIT**

D. 334,910 4/1993 Lee D12/155

[76] Inventor: **Albert Lee**, 232 Margate Rd.,
Timonium, Md. 21093

Primary Examiner—James M. Gandy
Attorney, Agent, or Firm—Birch, Stewart, Kolasch &
Birch

[*] Notice: The portion of the term of this patent
subsequent to Dec. 1, 2006 has been
disclaimed.

[57] **CLAIM**

The ornamental design for a vehicle windshield wiper
unit, as shown and described.

[**] Term: **14 Years**

DESCRIPTION

[21] Appl. No.: **7,700**

[22] Filed: **Apr. 30, 1993**

[52] U.S. Cl. **D12/219**

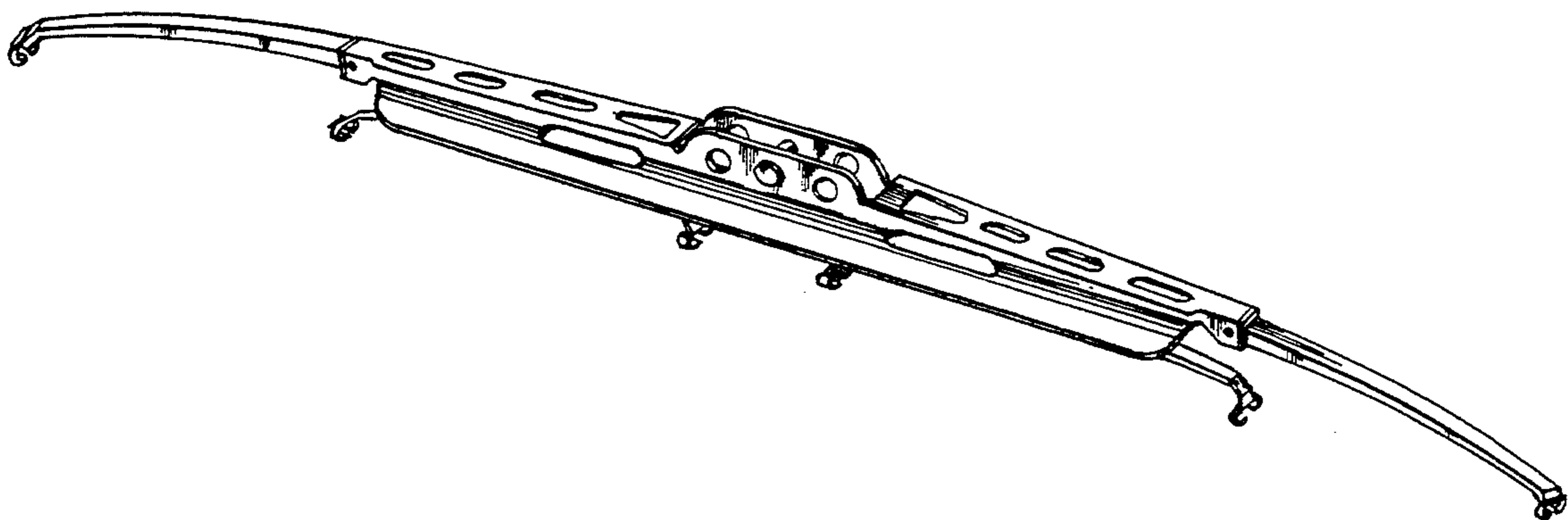
[58] Field of Search D12/155; 15/240.36,
15/250.40, 250.41, 250.42

FIG. 1 is a perspective view of a vehicle windshield
wiper unit showing my new design;
FIG. 2 is an elevational view thereof showing the side
opposite that shown in FIG. 1;
FIG. 3 is a top plan view thereof;
FIG. 4 is an end elevation view thereof;
FIG. 5 is an end elevation view thereof opposite to that
shown in FIG. 4;
FIG. 5 is an end elevation view thereof opposite to that
shown in FIG. 4;
FIG. 6 is a left side elevational view thereof; and,
FIG. 7 is a bottom plan view thereof.

[56] **References Cited**

U.S. PATENT DOCUMENTS

- D. 287,709 1/1987 Mower et al. D12/155
- D. 296,317 6/1988 Mower et al. D12/155
- D. 307,408 4/1990 Mower et al. D12/155
- D. 331,381 12/1992 Lee D12/155



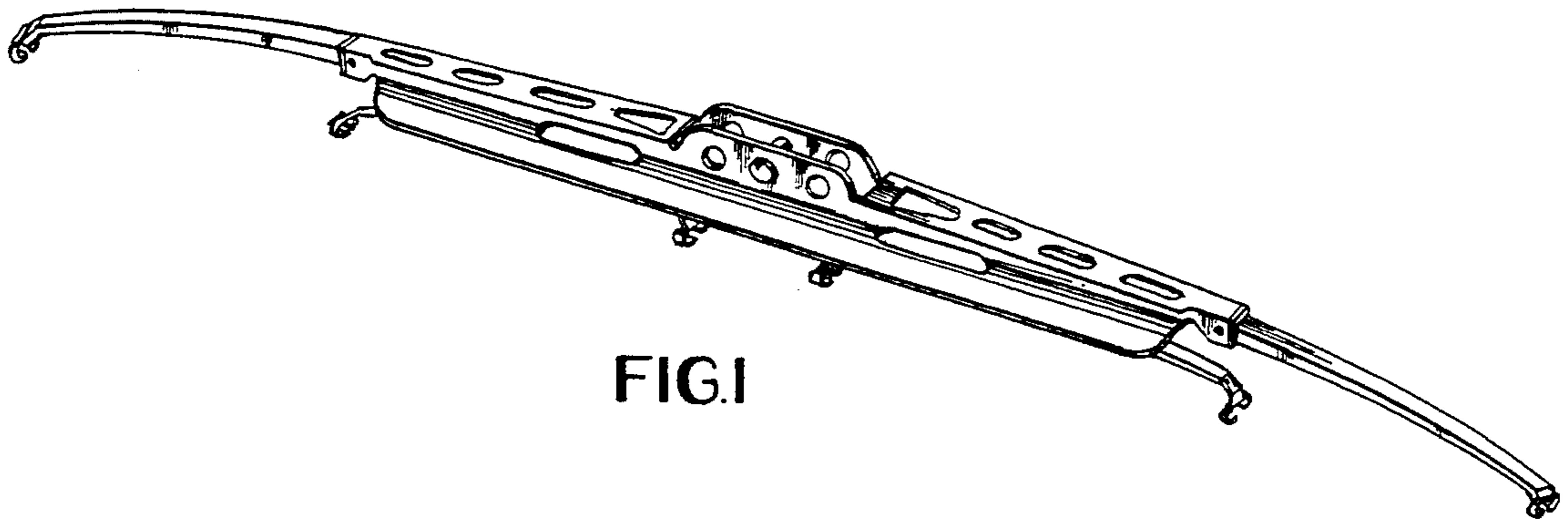


FIG. 1

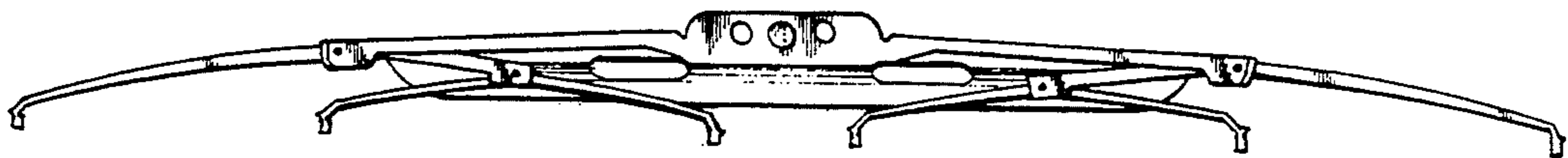


FIG. 2

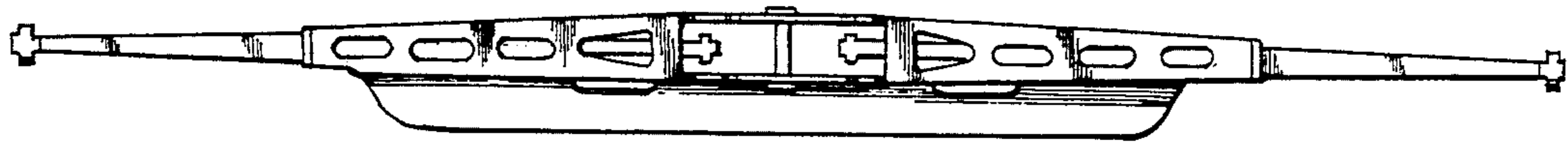


FIG. 3

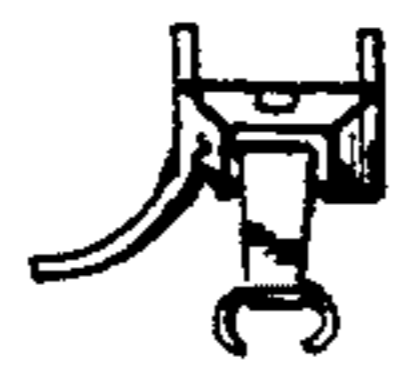


FIG. 4

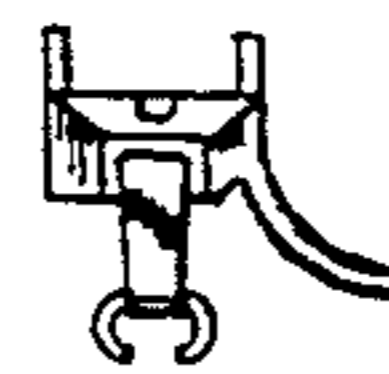


FIG. 5

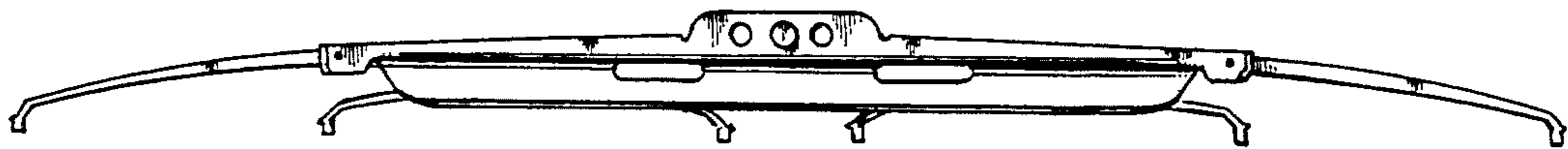


FIG. 6



FIG. 7