



US00D354472S

United States Patent [19]

[11] Patent Number: **Des. 354,472**

Tong

[45] Date of Patent: **** Jan. 17, 1995**

[54] **CAR VISOR MIRROR WITH LIGHTING**

[56] **References Cited**

[76] Inventor: **Wing K. Tong**, Chi Wan Ind. Bldg.,
1-7 Kin Hon Street, Kwai Chung,
N.T., Hong Kong

U.S. PATENT DOCUMENTS

D. 168,707 1/1953 Pavenick D12/191
D. 304,712 11/1989 Cheune D12/191

[**] Term: **14 Years**

Primary Examiner—James M. Gandy
Attorney, Agent, or Firm—Wenderoth, Lind & Ponack

[21] Appl. No.: **15,989**

[57] **CLAIM**

The ornamental design for a car visor mirror with lighting, as shown.

[22] Filed: **Dec. 6, 1993**

DESCRIPTION

[30] **Foreign Application Priority Data**

Nov. 3, 1993 [GB] United Kingdom 2034947

[52] U.S. Cl. **D12/191**

[58] Field of Search D12/191, 417; D6/308;
296/97.1, 97.2, 97.5; 224/312; 359/844, 850,
870, 871, 838

FIG. 1 is a perspective view from above, the front and one end of the car visor mirror with lighting;
FIG. 2 is an end view of the car visor mirror with lighting from the other end;
FIG. 3 is an bottom view of the car visor mirror with lighting; and,
FIG. 4 is a rear view of the car visor mirror with lighting.

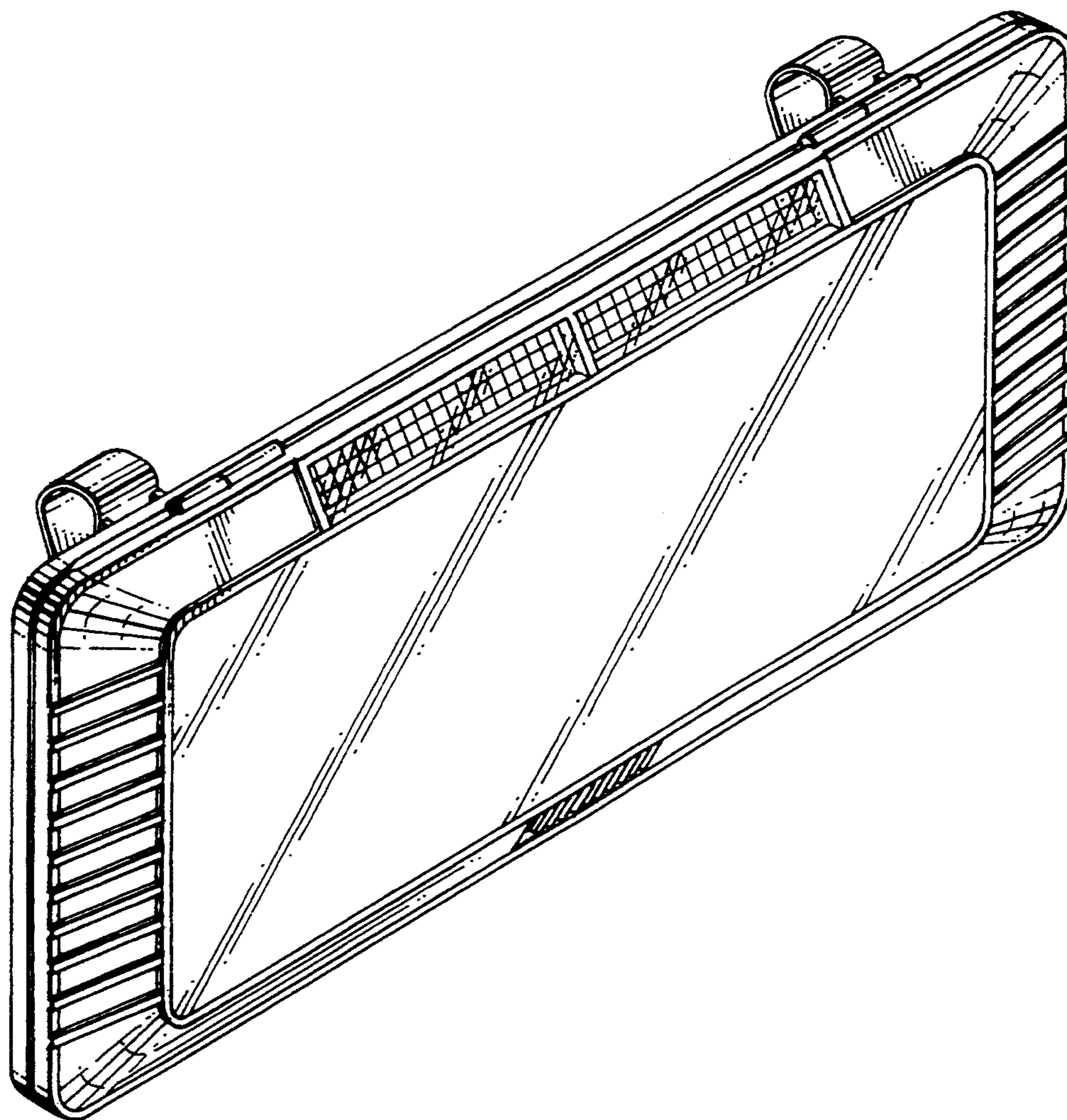


Fig.1

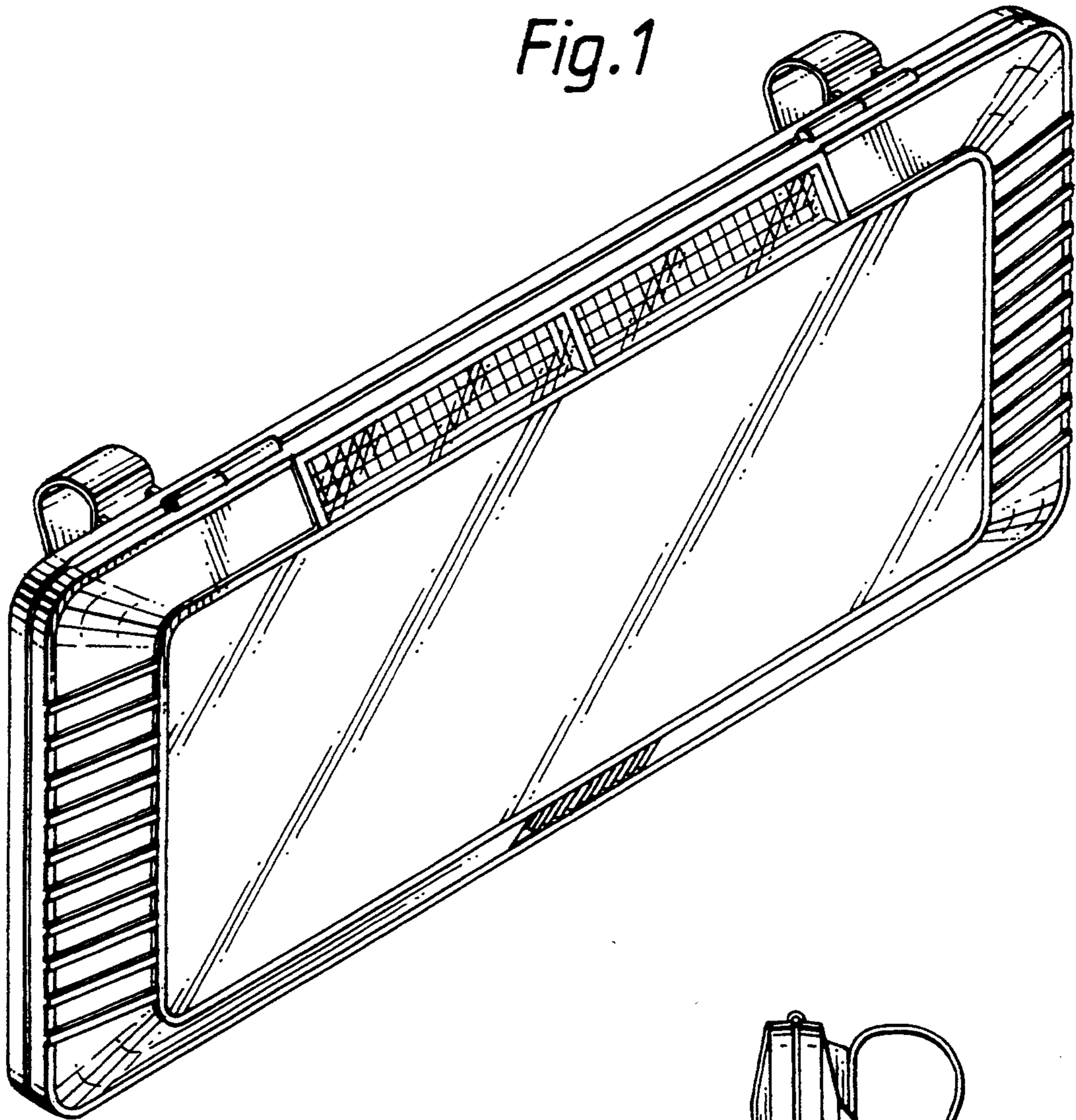


Fig.2

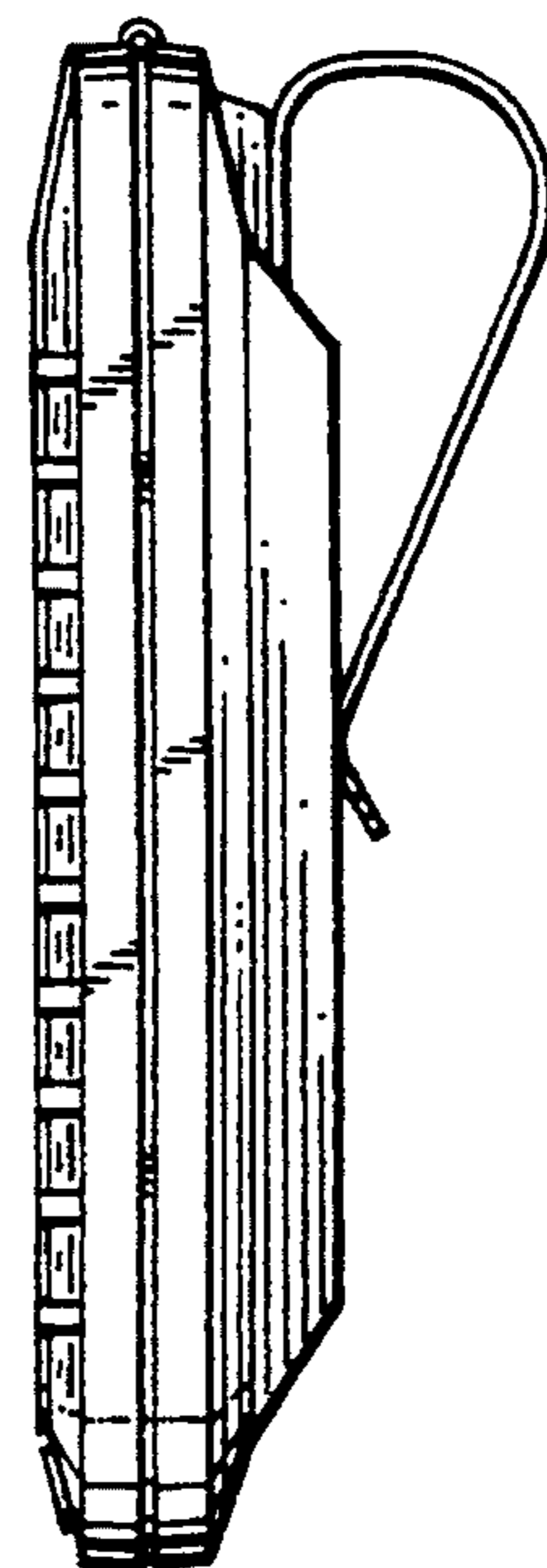


Fig. 3

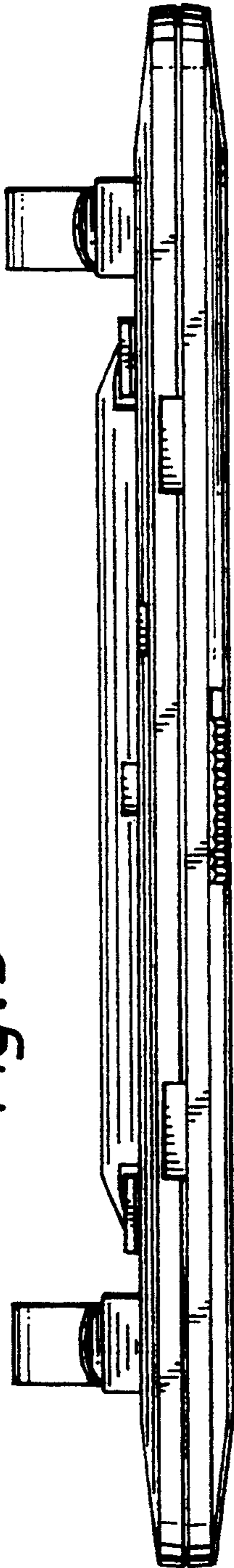


Fig. 4

