



US00D354463S

# United States Patent [19]

[11] Patent Number: **Des. 354,463**

Davidson et al.

[45] Date of Patent: **\*\* Jan. 17, 1995**

[54] **MOTORCYCLE CHAIN GUARD COVER**

[75] Inventors: **William G. Davidson, Delafield;**  
**Louis Netz, Grafton, both of Wis.**

[73] Assignee: **Harley-Davidson, Inc., Milwaukee,**  
**Wis.**

[\*\*] Term: **14 Years**

[21] Appl. No.: **16,151**

[22] Filed: **Dec. 9, 1993**

[52] U.S. Cl. .... **D12/127**

[58] Field of Search ..... **D12/126, 127, 114;**  
**280/288.4; 180/219**

[56] **References Cited**  
**PUBLICATIONS**

Drag Specialties Catalog, 1987, p. 68, the chrome inspection covers.  
1991 Parts & Accessories Eagle Iron Catalog, pp. 6, 12, ad 13.

1993 Accessories Harley-Davidson, Inc. Catalog, pp. 15, 55, 98, 99 and 101.

Custom Chrome 1992 Catalog, pp. 303-307.

93 V-Twin, pp. 438 and 439.

94 Custom Chrome Catalog, pp. 437-441.

*Primary Examiner*—Wallace R. Burke

*Assistant Examiner*—M. Brown

*Attorney, Agent, or Firm*—Michael, Best & Friedrich

[57] **CLAIM**

The ornamental design for a motorcycle chain guard cover, as shown and described.

**DESCRIPTION**

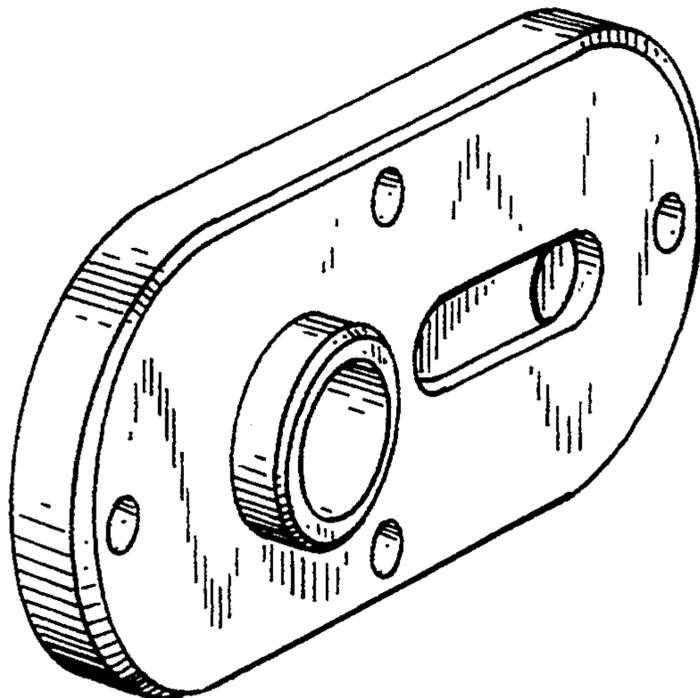
FIG. 1 is a perspective view of an ornamental design of a motorcycle chain guard cover according to my invention;

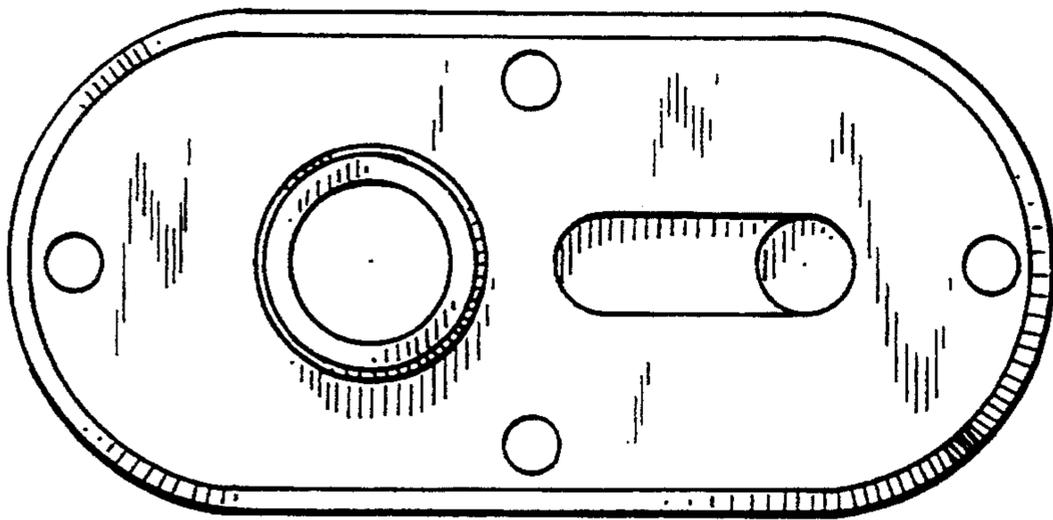
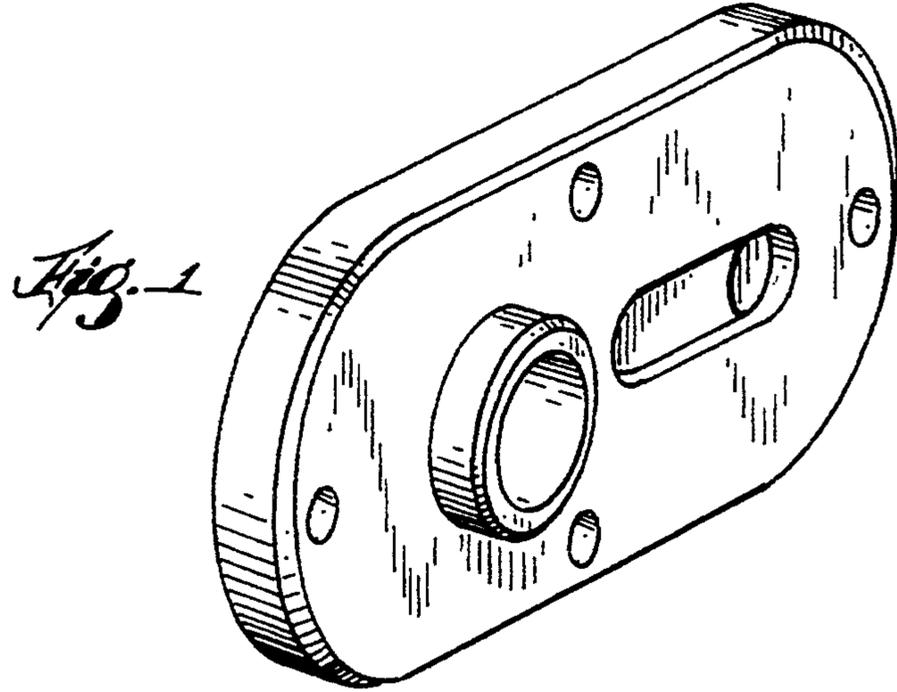
FIG. 2 is a top view thereof;

FIG. 3 is a front elevation view thereof, the rear elevation view being a mirror image thereof;

FIG. 4 is a right side elevation view thereof, the left side elevation view being a mirror image thereof; and,

FIG. 5 is a bottom view thereof.

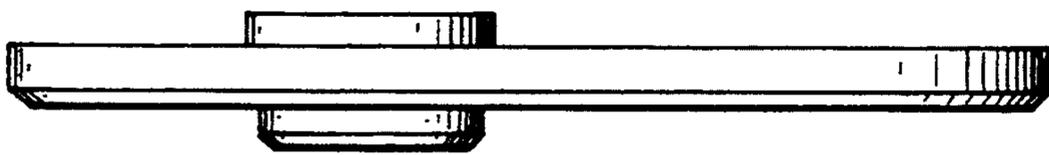




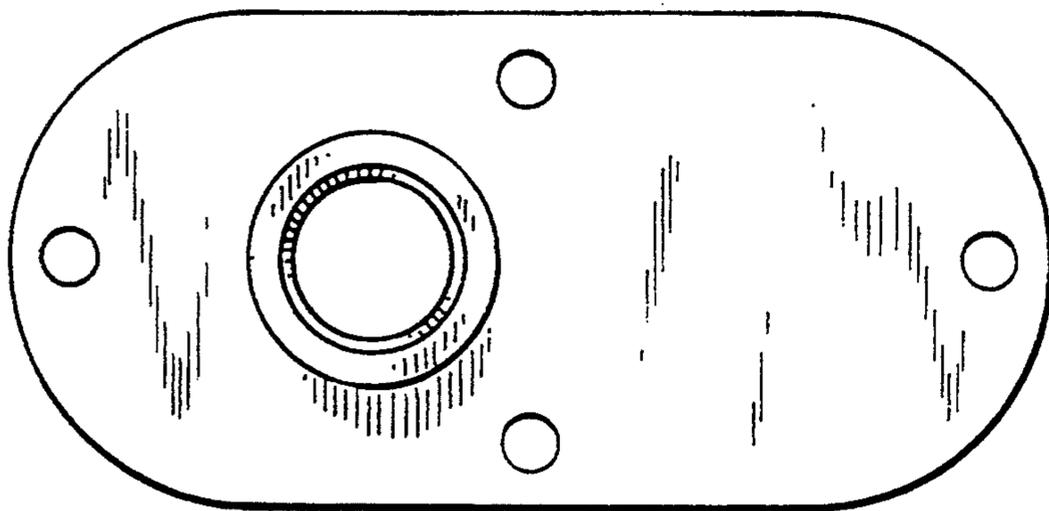
*Fig. 2*



*Fig. 4*



*Fig. 3*



*Fig. 5*