



US00D354457S

**United States Patent** [19]  
**McIntyre**

[11] **Patent Number: Des. 354,457**

[45] **Date of Patent: \*\* Jan. 17, 1995**

[54] **BUCKLE**

[76] **Inventor: Jack L. McIntyre, 6423 174th SW.,  
Lynnwood, Wash. 98037**

[\*\*] **Term: 14 Years**

[21] **Appl. No.: 13,332**

[22] **Filed: Sep. 22, 1993**

[52] **U.S. Cl. .... D11/216; D11/200**

[58] **Field of Search ..... D11/200, 201, 215-225;  
24/170, 650, 196, 216; 410/21, 23, 12, 51**

[56] **References Cited**

**U.S. PATENT DOCUMENTS**

D. 136,912	12/1943	Glaser .....	D11/215
D. 200,155	1/1965	Hedu .....	D11/216
D. 264,766	6/1982	Huff .....	D11/216
D. 274,861	7/1984	Lindblad .....	D11/216
D. 283,369	4/1986	Martin .....	D11/200
D. 296,678	7/1988	Lortz et al. ....	D11/216
D. 333,640	3/1993	Keller .....	D11/200 X
5,026,225	6/2491	McIntyre .....	410/23
5,075,932	12/1991	Hunt et al. ....	24/196 X

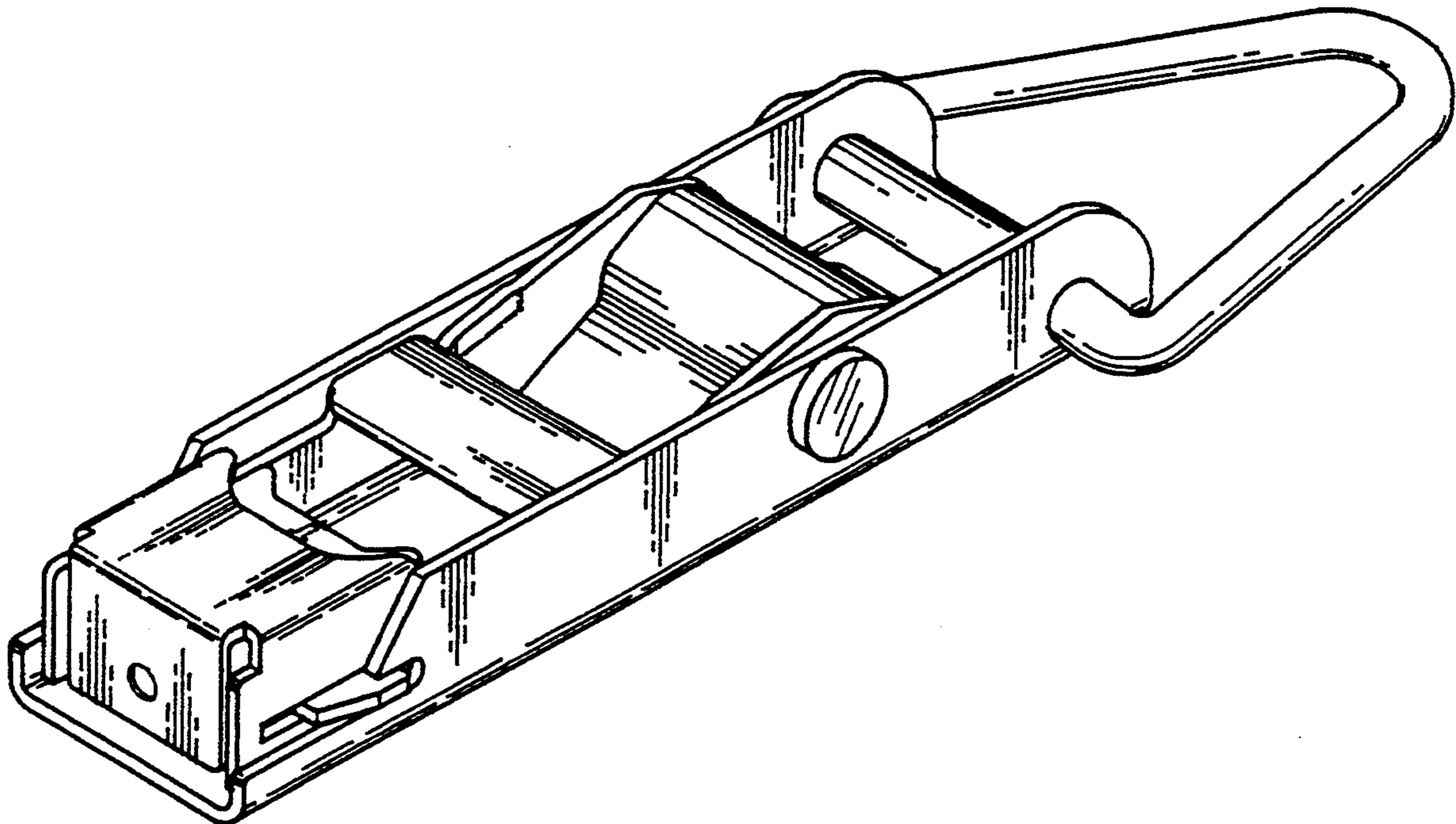
*Primary Examiner*—Ralf T. Seifert  
*Attorney, Agent, or Firm*—James Richard Vance

[57] **CLAIM**

The ornamental design for a buckle, as shown and described.

**DESCRIPTION**

FIG. 1 is an isometric view of the buckle of my invention shown in a closed position;  
 FIG. 2 is an isometric view of the buckle of my invention shown in an open position;  
 FIG. 3 is a back elevational view of the buckle when in its closed position;  
 FIG. 4 is a front elevational view of the buckle when in its closed position;  
 FIG. 5 is a first side elevational view of the buckle when in its closed position;  
 FIG. 6 is a second side elevational view of the buckle when in its closed position;  
 FIG. 7 is a top plan view of the buckle when in its closed position; and,  
 FIG. 8 is a bottom plan view of the buckle when in its closed position.



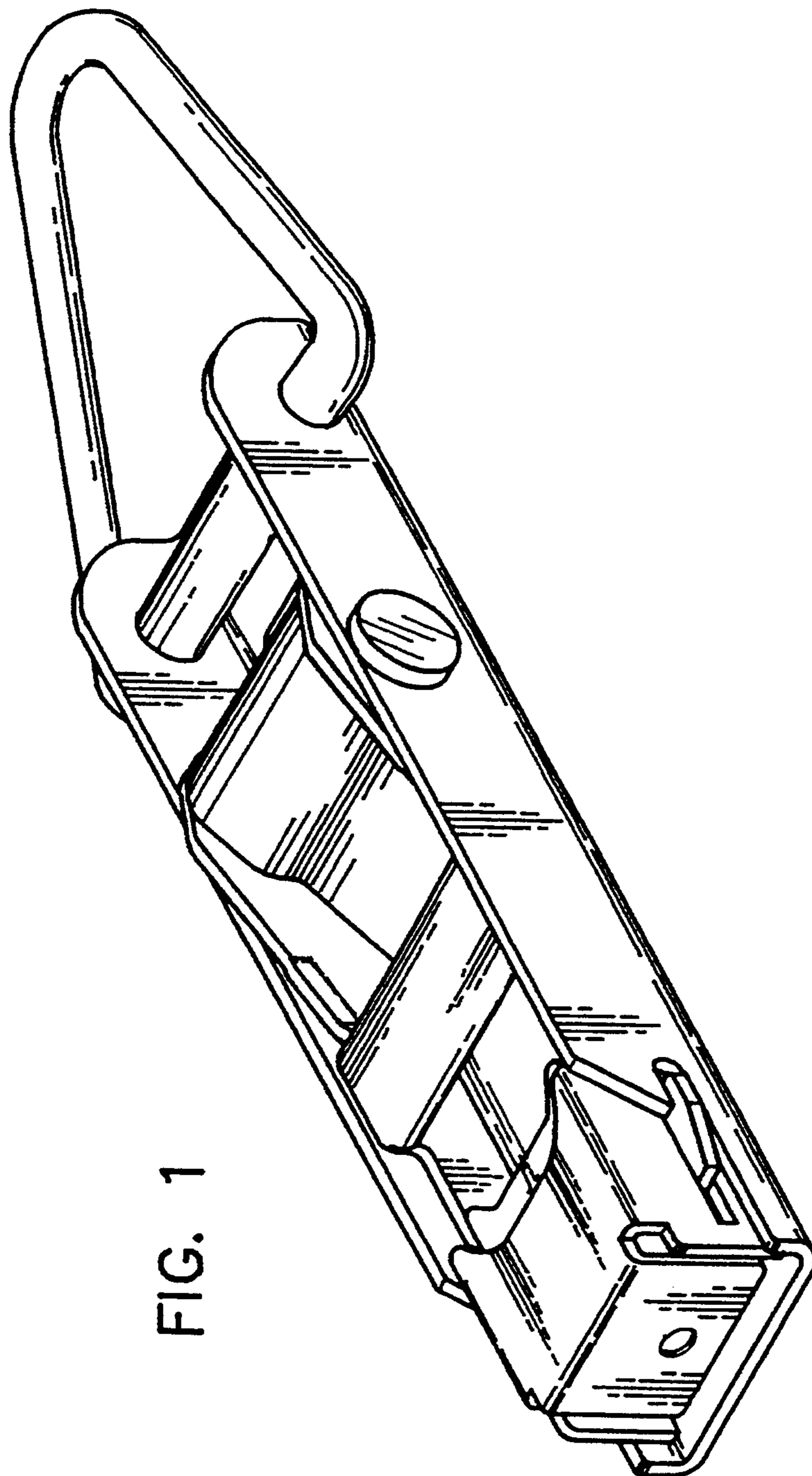


FIG. 1

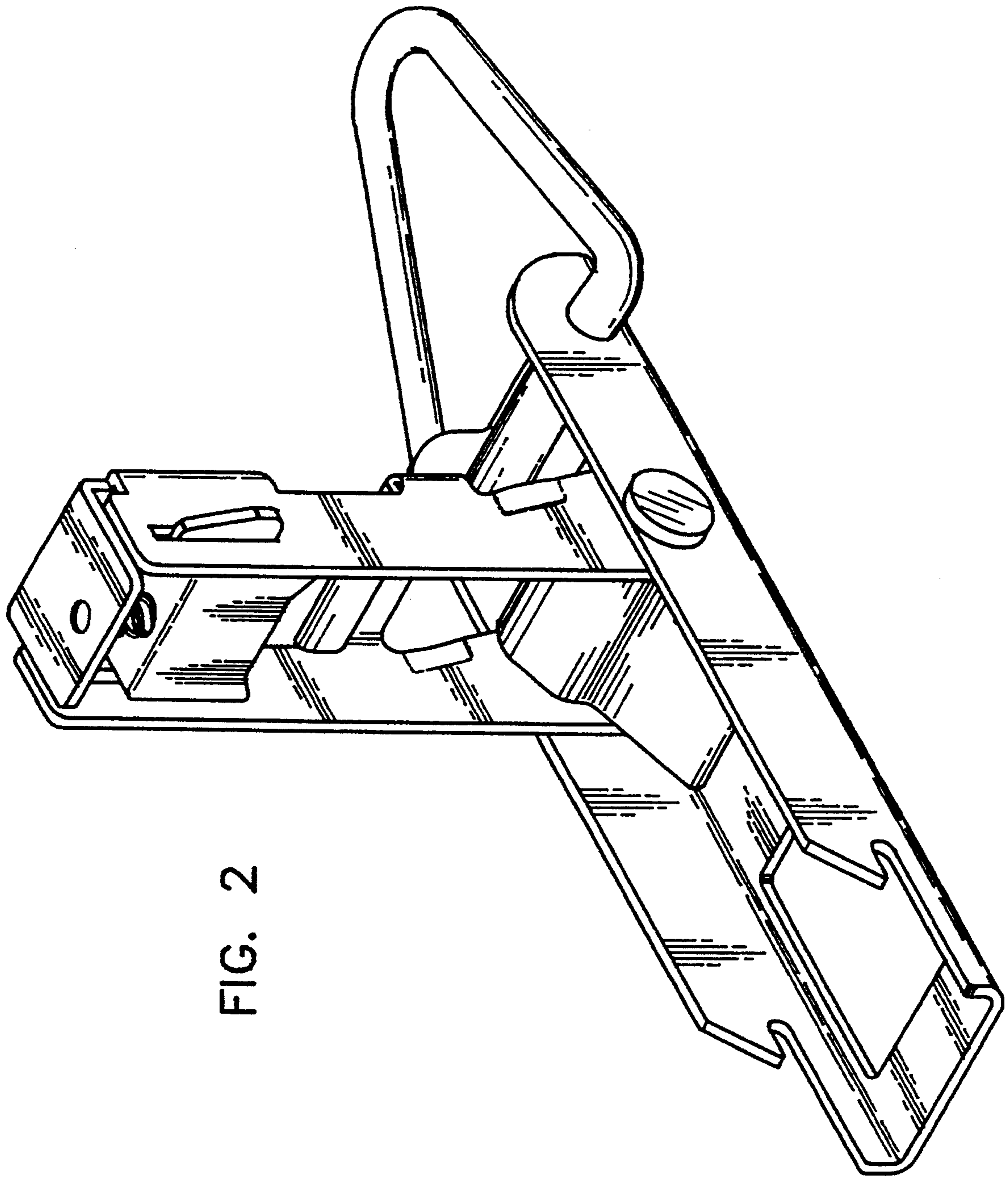


FIG. 2

FIG. 4

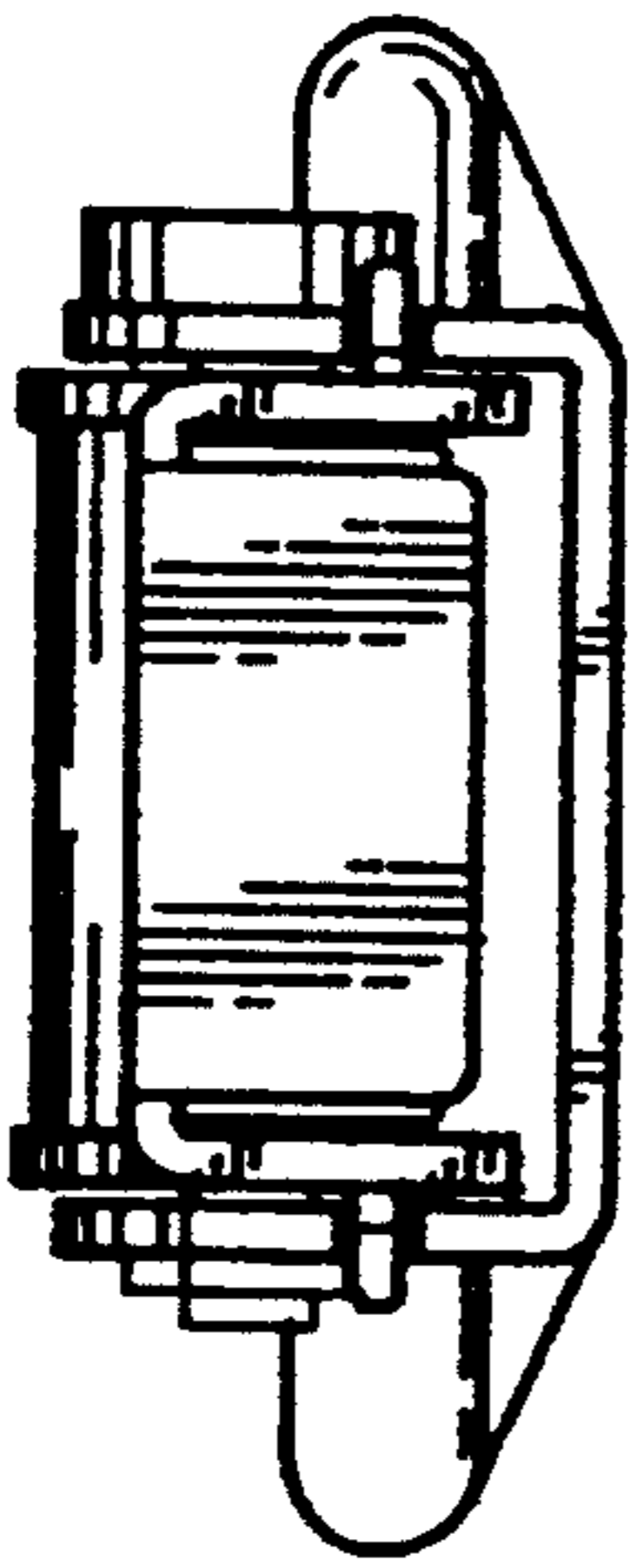


FIG. 3

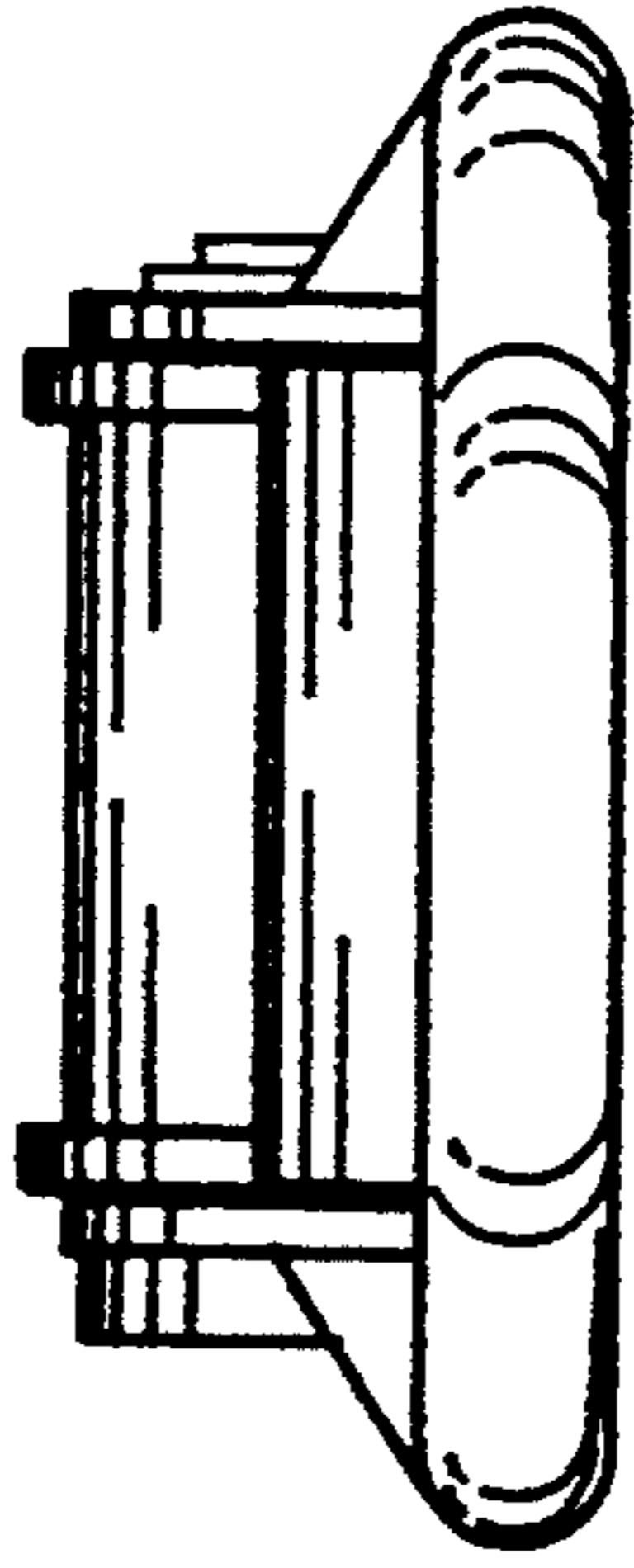


FIG. 5

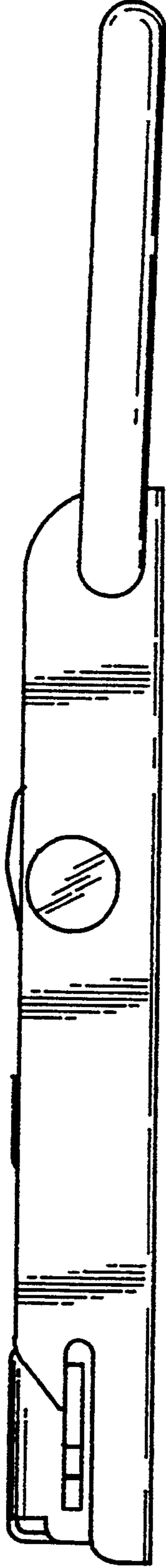


FIG. 6

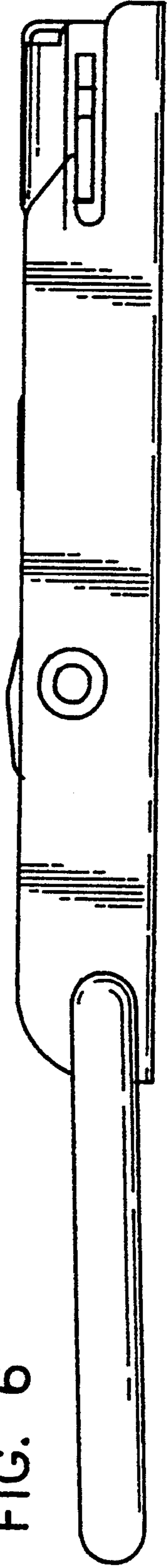




FIG. 7

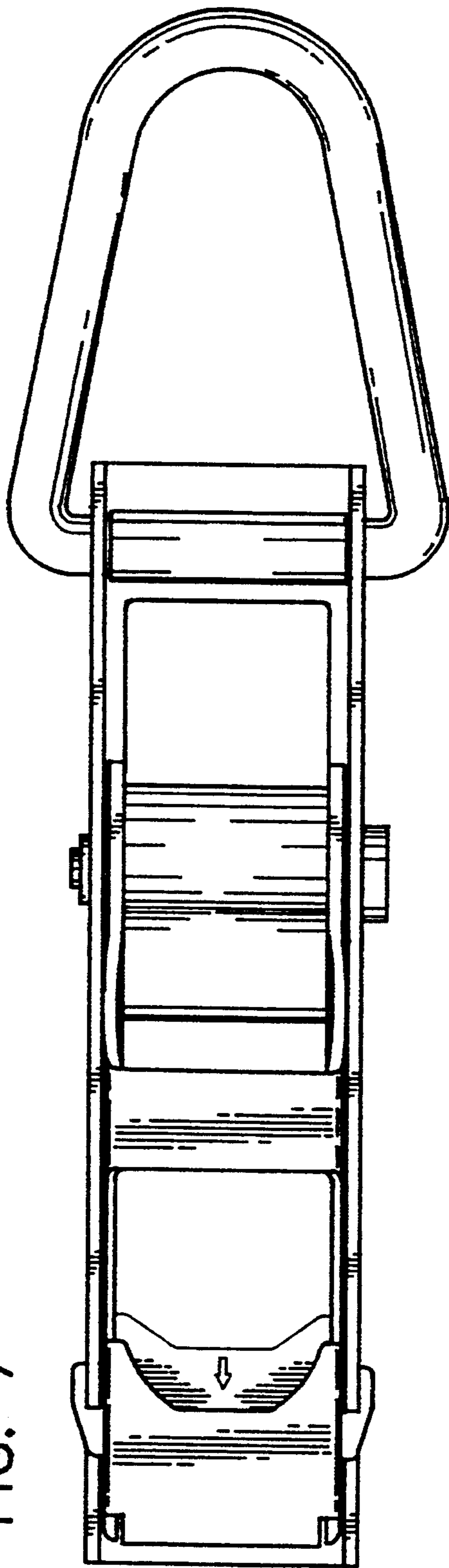


FIG. 8

