



US00D354450S

# United States Patent [19]

Jacquet et al.

[11] Patent Number: **Des. 354,450**

[45] Date of Patent: **\*\* Jan. 17, 1995**

[54] **ELECTRONIC WEIGHING SCALE**

[56] **References Cited**

### U.S. PATENT DOCUMENTS

[75] Inventors: **Remy Jacquet; William Kohler**, both of Le Locle, Switzerland

D. 339,538 9/1993 Fellmann ..... D10/91  
4,258,812 3/1981 Pfeiffer ..... 177/210 R

[73] Assignee: **Mettler - Toledo AG**, Greifensee, Switzerland

*Primary Examiner*—Alan P. Douglas  
*Assistant Examiner*—Antoine D. Davis  
*Attorney, Agent, or Firm*—Laubscher & Laubscher

[\*\*] Term: **14 Years**

[57] **CLAIM**

The ornamental design for an electronic weighing scale, as shown.

[21] Appl. No.: **11,588**

### DESCRIPTION

[22] Filed: **Aug. 10, 1993**

[52] U.S. Cl. .... **D10/91**

[58] Field of Search ..... D10/87-93;  
177/210 R, 210 EM, 212, 213, 214, 238, 239,  
240, 241, 242, DIG. 3

FIG. 1 is a front perspective view of the electronic weighing scale of the present invention;  
FIG. 2 is a top plan view;  
FIG. 3 is a bottom plan view;  
FIG. 4 is a left side elevational view;  
FIG. 5 is a right side elevational view;  
FIG. 6 is a front elevational view; and,  
FIG. 7 is a rear elevational view.

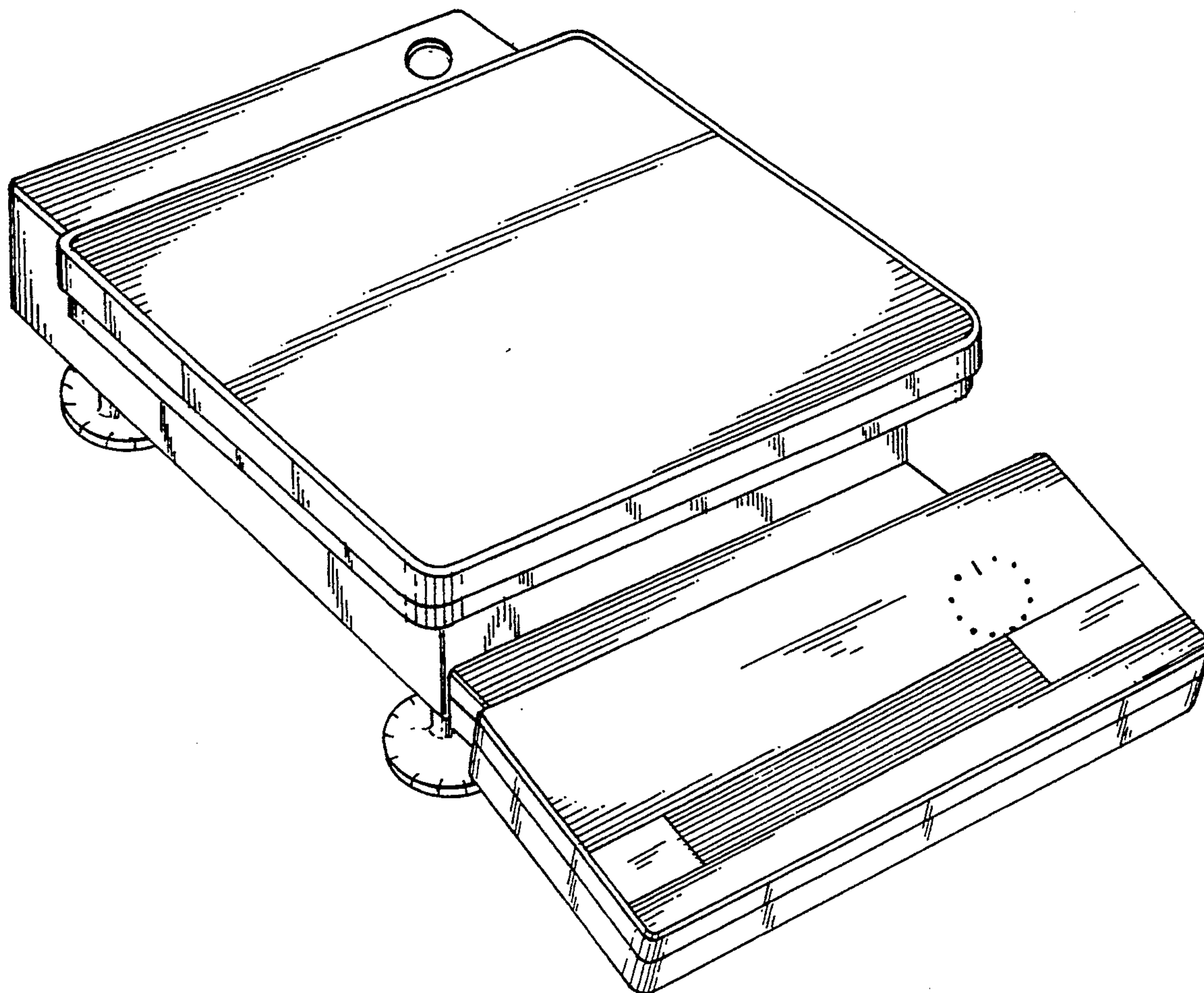


FIG. 1

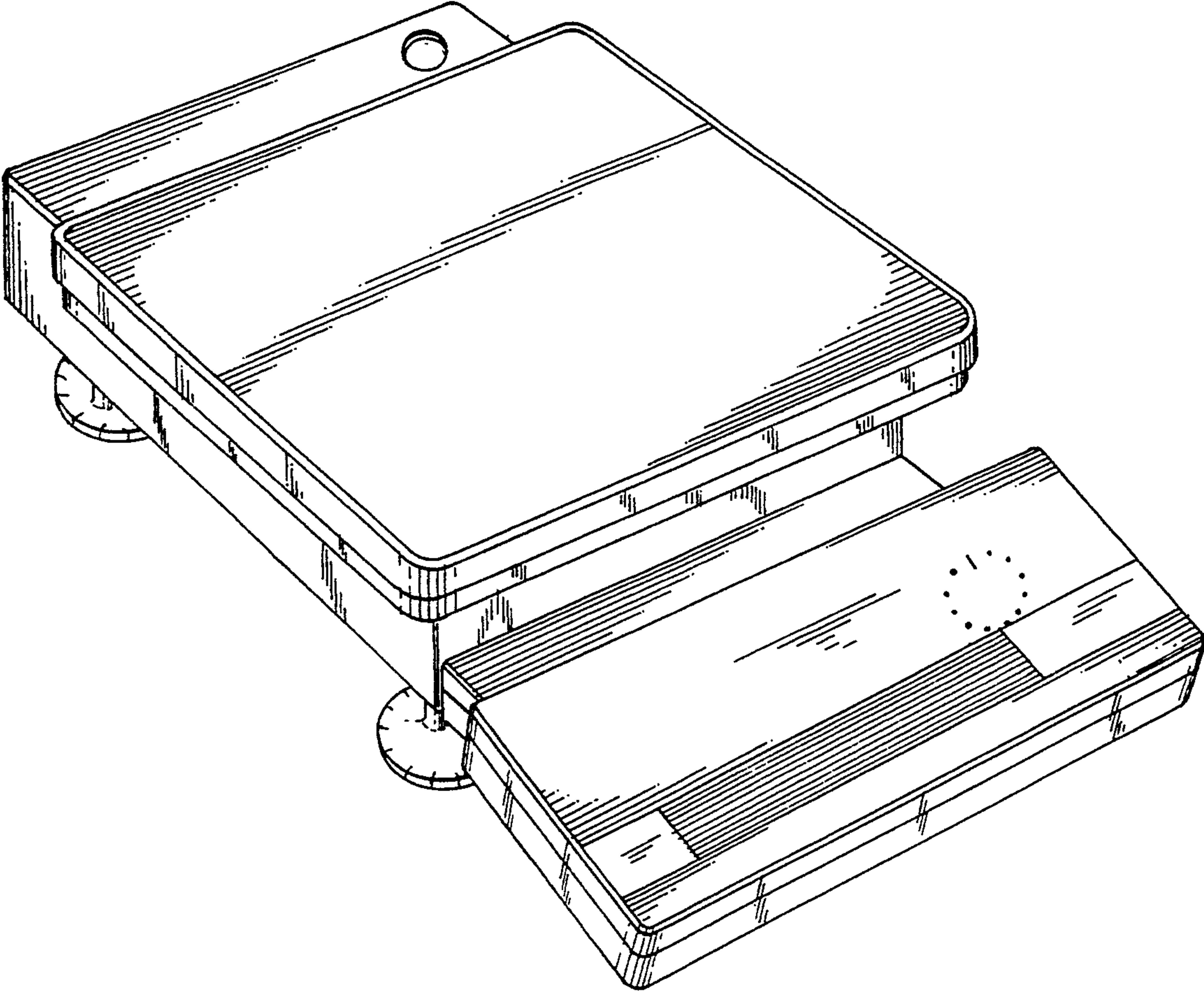


FIG. 2

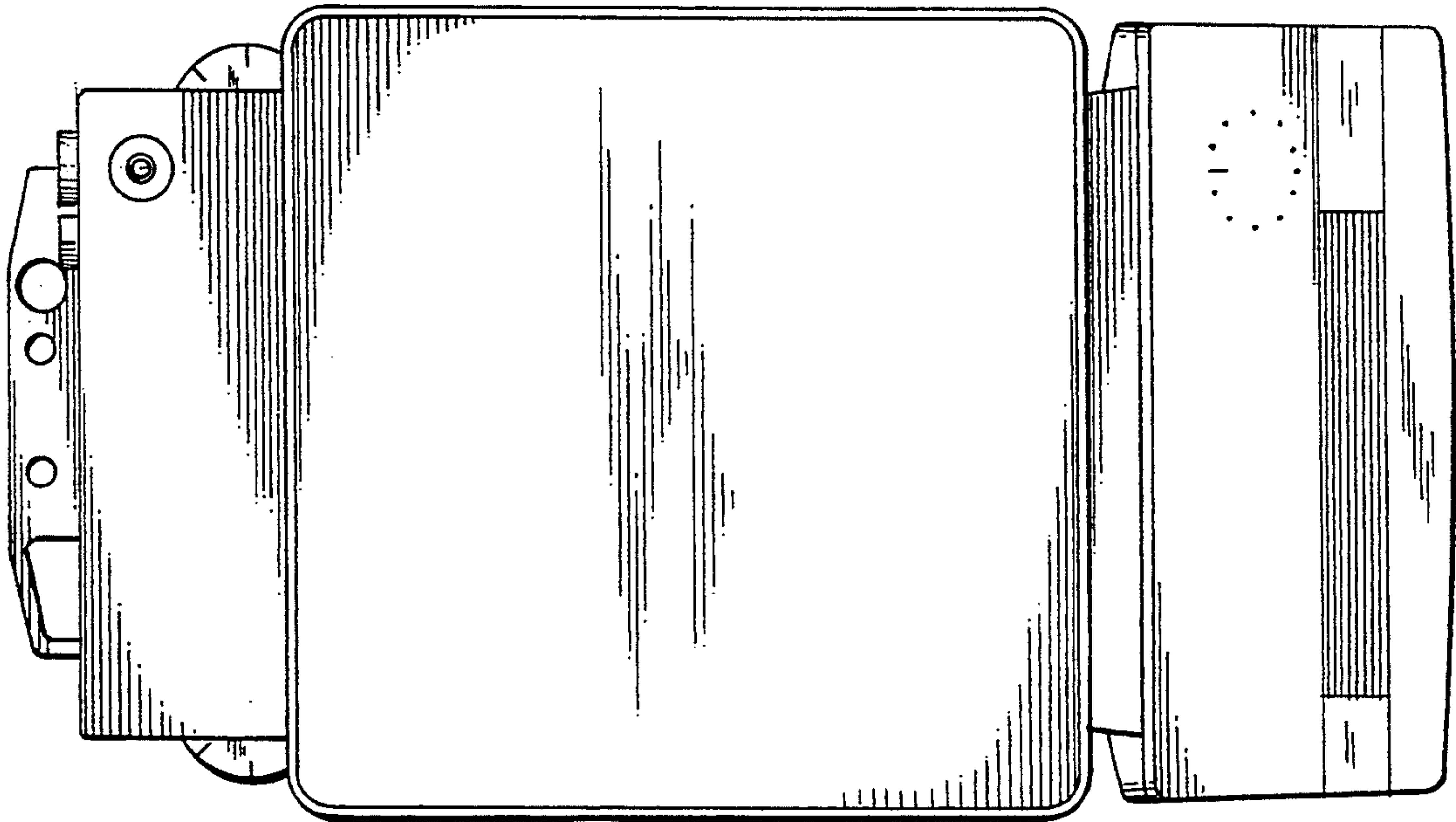


FIG. 3

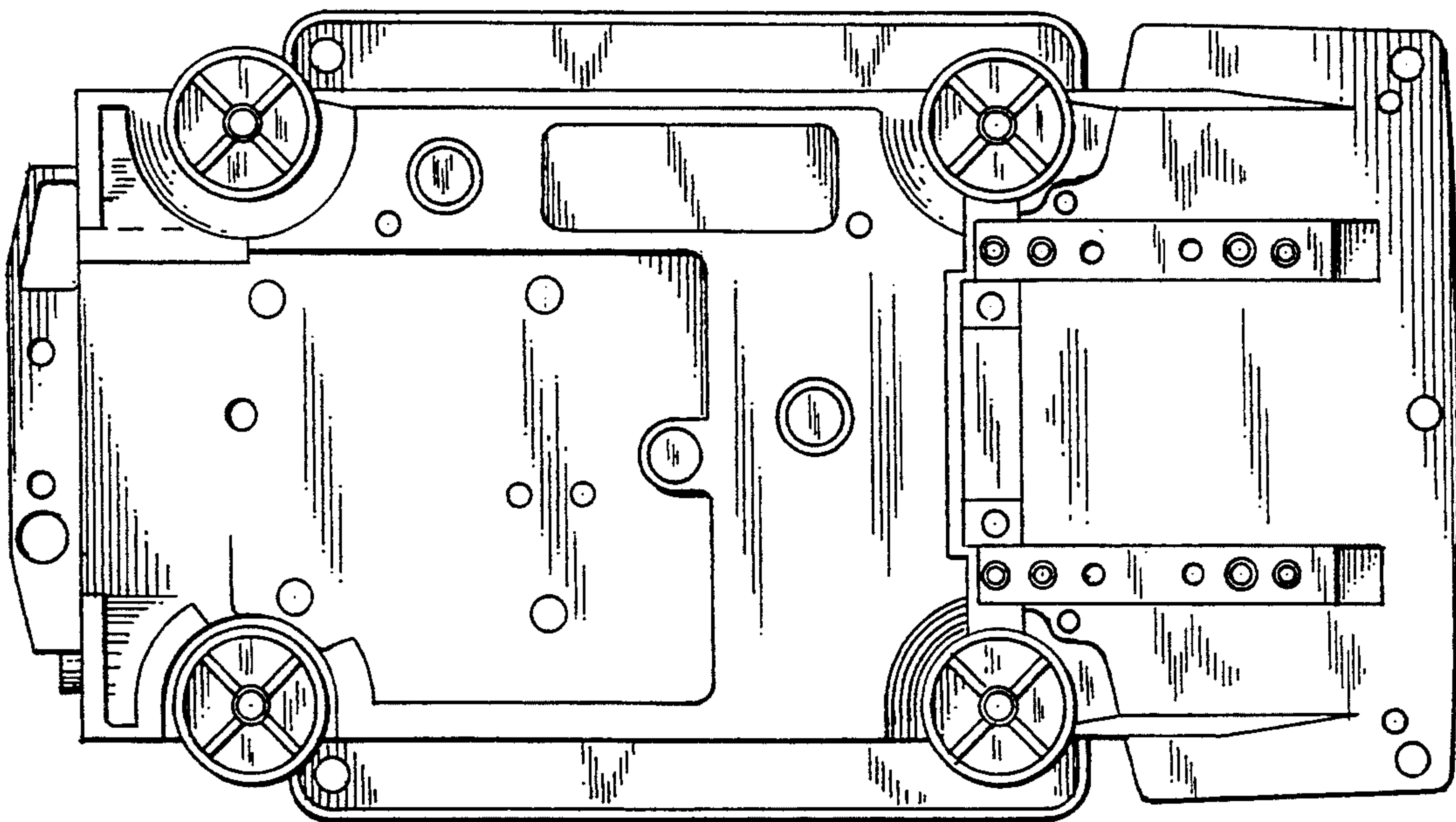




FIG. 4

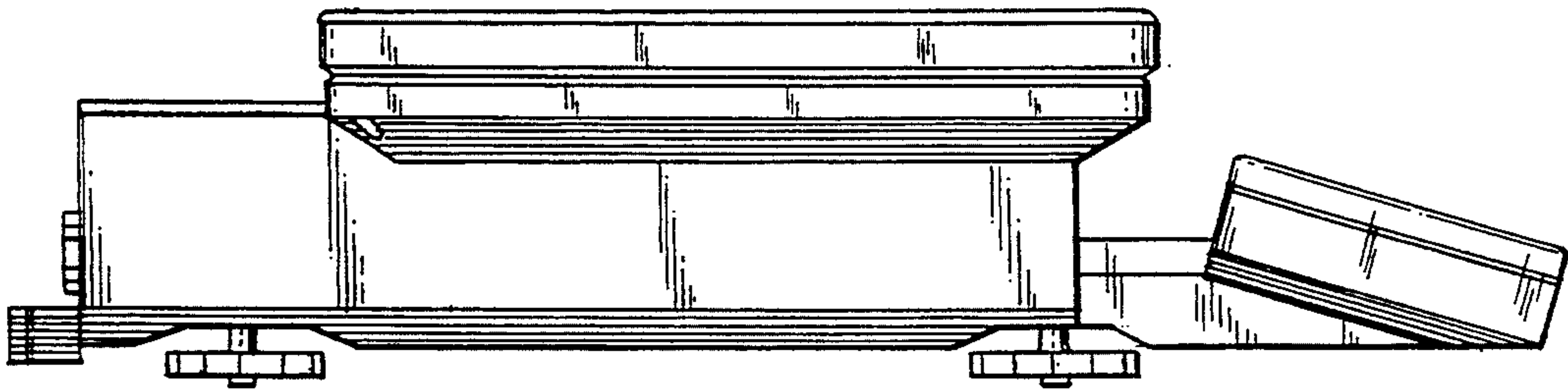


FIG. 5

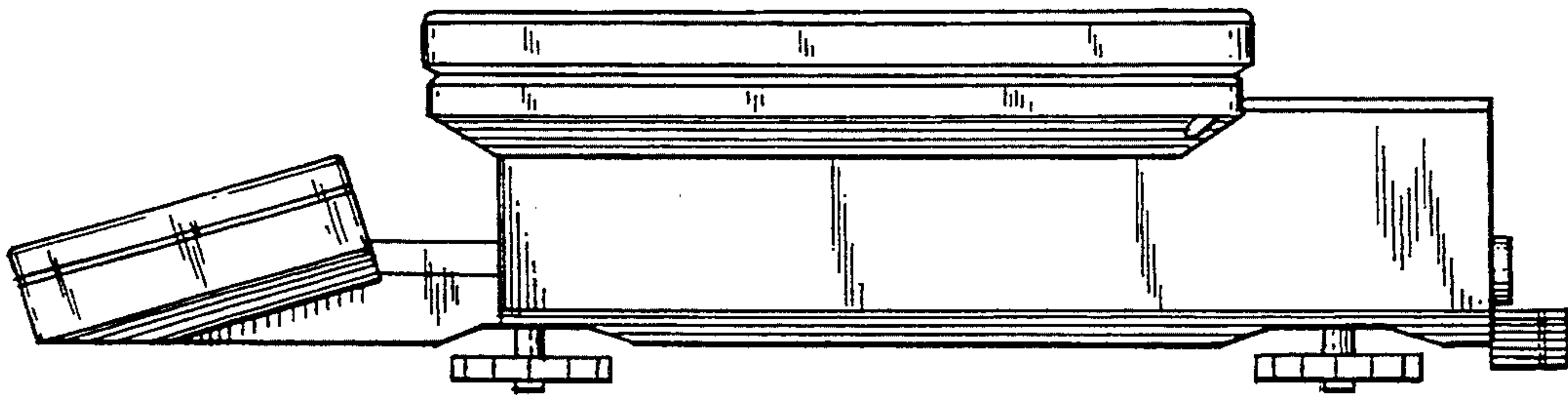


FIG. 7

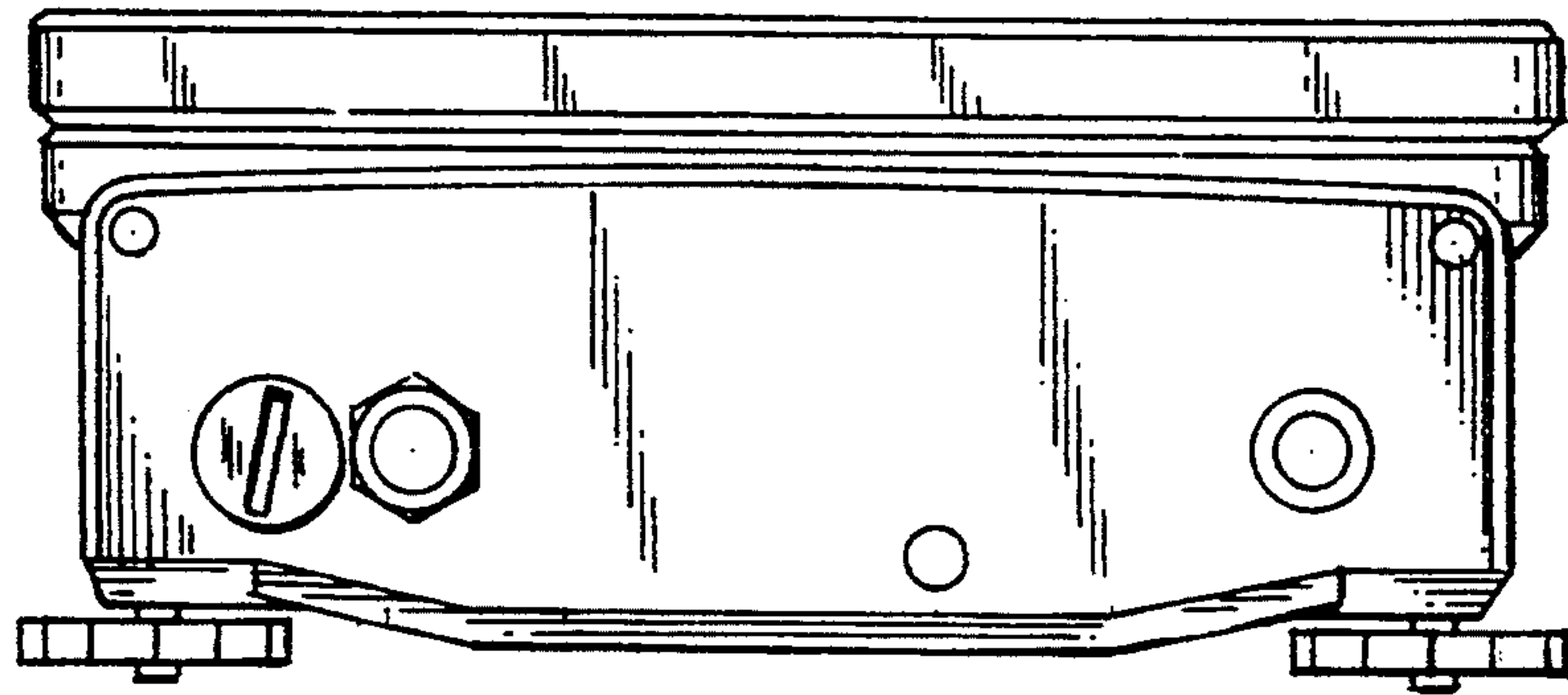


FIG. 6

