



US00D354449S

United States Patent [19]

[11] Patent Number: Des. 354,449

Yoo

[45] Date of Patent: ** Jan. 17, 1995

[54] **FINGER PRESSURE GAUGE**

[76] Inventor: **Tae W. Yoo**, 807, 1-Dong, Hanyang, Apt. 32-5, Banpo-dong, Seocho-ku, Seoul, Rep. of Korea

[**] Term: **14 Years**

[21] Appl. No.: **12,703**

[22] Filed: **Sep. 8, 1993**

[30] **Foreign Application Priority Data**

Mar. 8, 1993 [KR] Rep. of Korea 93-3861

[52] U.S. Cl. **D10/85**

[58] Field of Search D10/83, 85; 73/379.02, 73/379.03; 128/741, 774, 782; 364/413.02

[56] **References Cited**

U.S. PATENT DOCUMENTS

D. 274,134 6/1984 Sadler D10/83
3,216,259 11/1965 Bendix, Jr. 73/379.03

Primary Examiner—Alan P. Douglas

Assistant Examiner—Antoine D. Davis
Attorney, Agent, or Firm—Richard M. Goldberg

[57] **CLAIM**

The ornamental design for a finger pressure gauge, as shown and described.

DESCRIPTION

FIG. 1 is a perspective view of the finger pressure gauge of my new design;
FIG. 2 is a perspective view thereof, with the finger pressure gauge being shown in an alternate position. The broken line showing of a hand is for illustrative purposes only and forms no part of the claimed design;
FIG. 3 is a top plan view thereof;
FIG. 4 is a bottom plan view thereof;
FIG. 5 is a front elevational view thereof;
FIG. 6 is a rear elevational view thereof;
FIG. 7 is a left side elevational view thereof;
FIG. 8 is a right side elevational view thereof; and,
FIG. 9 is a cross-sectional view taken along line 9—9 of FIG. 5.

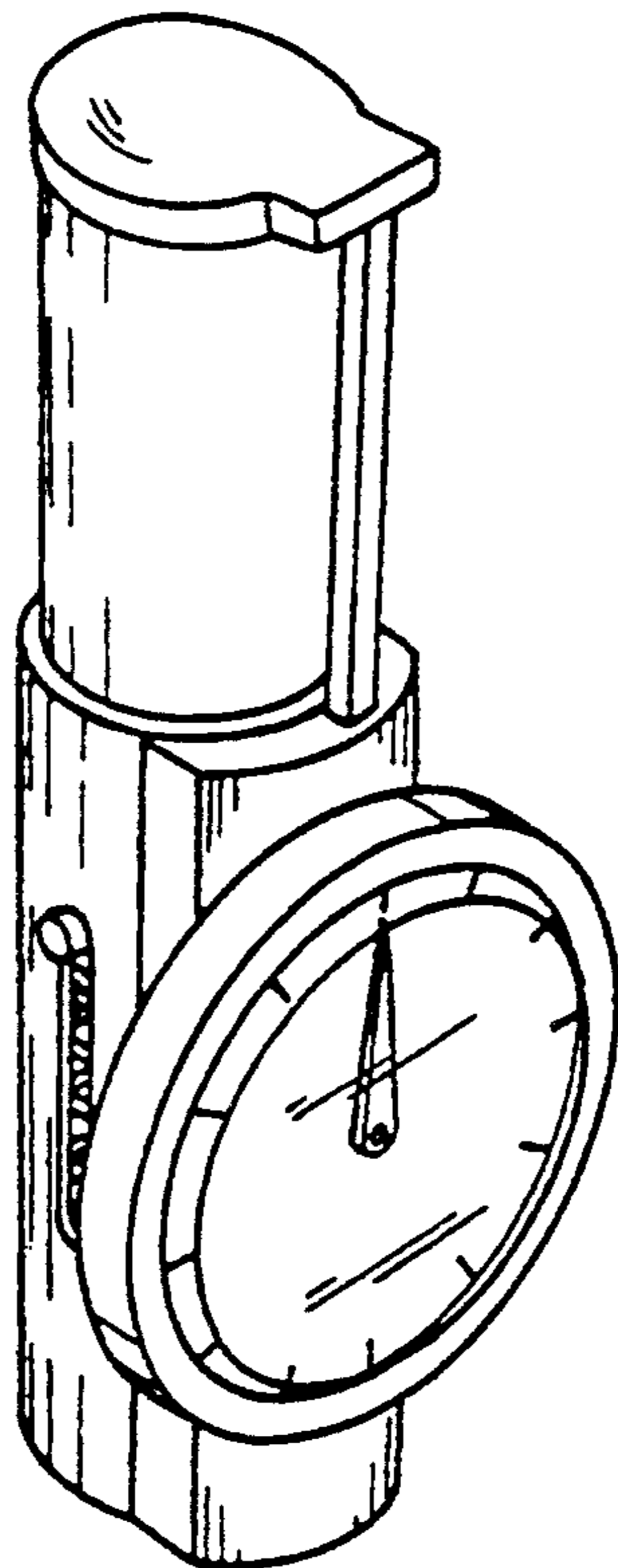


FIG. 1

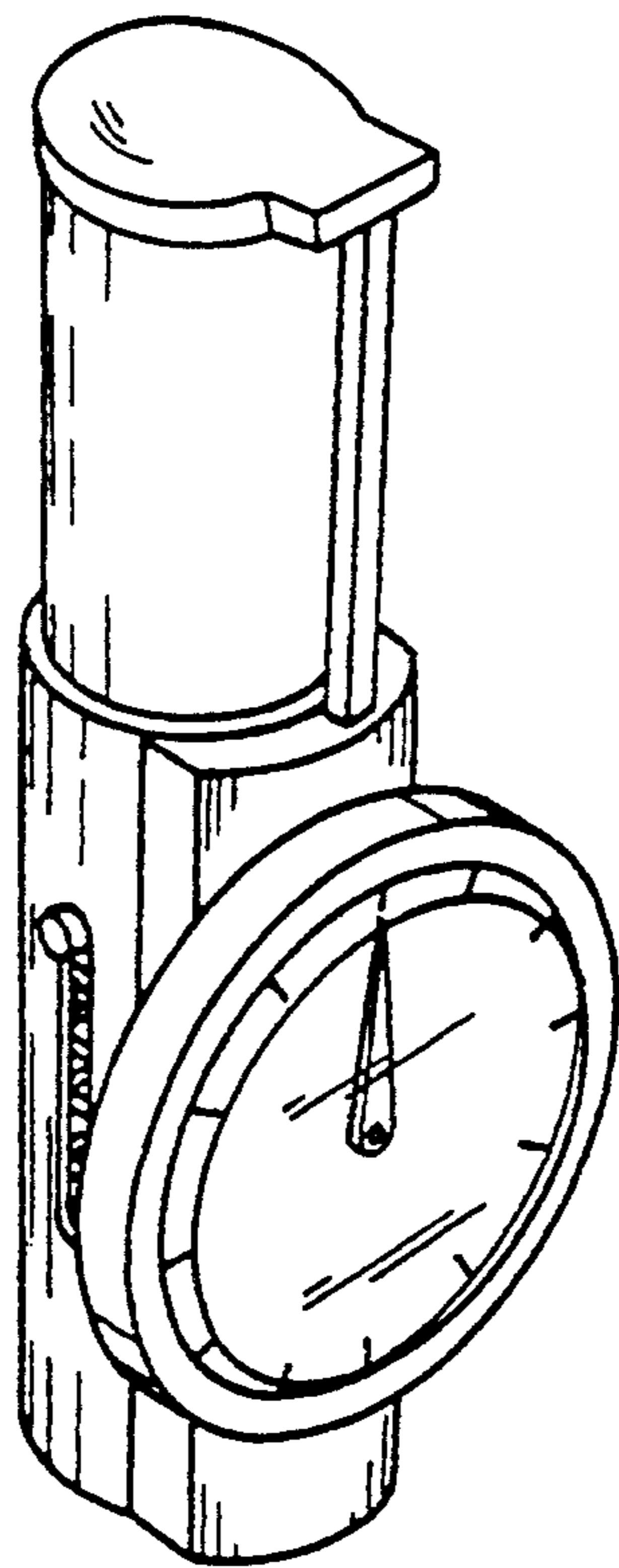


FIG. 2

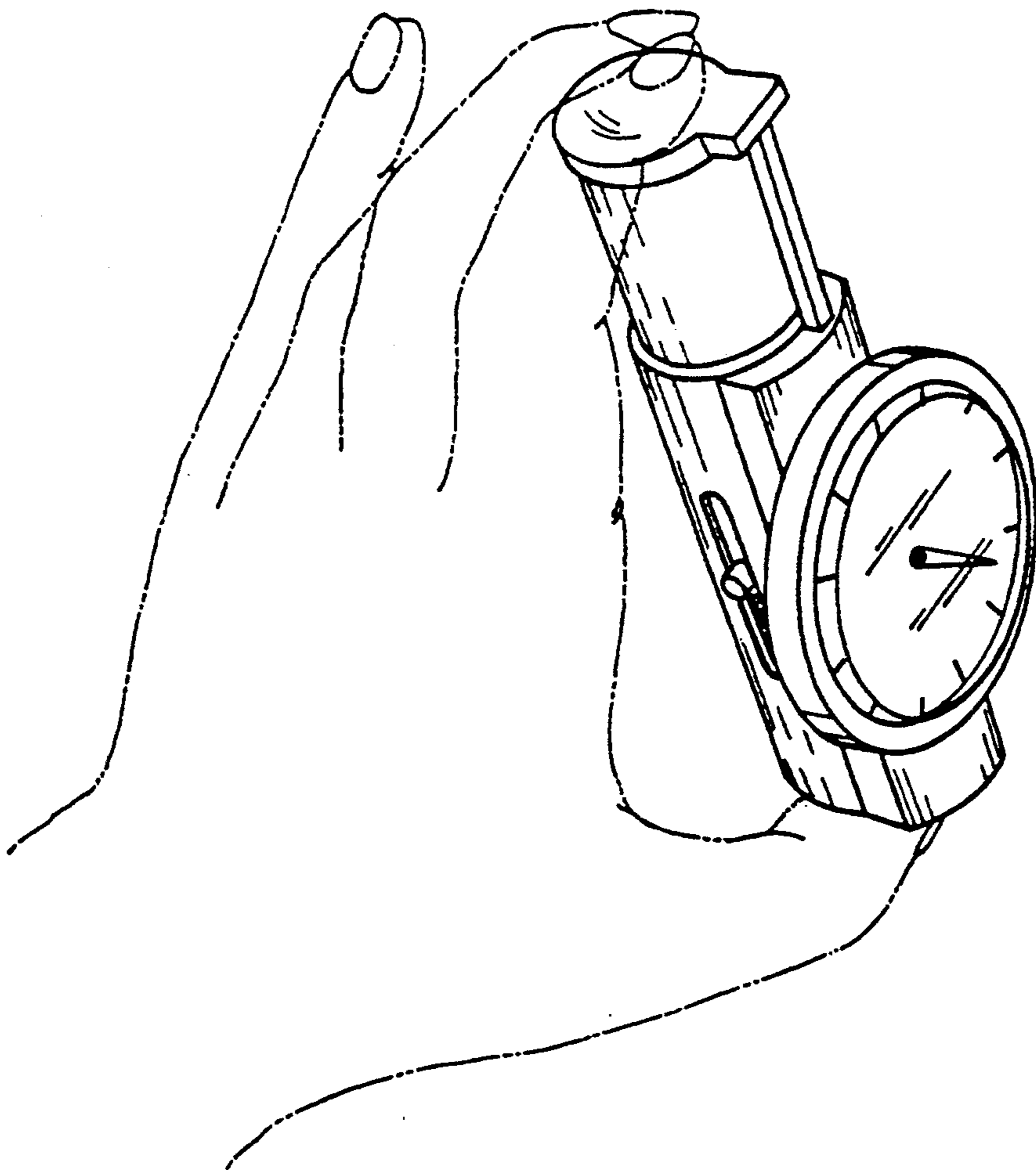


FIG.3

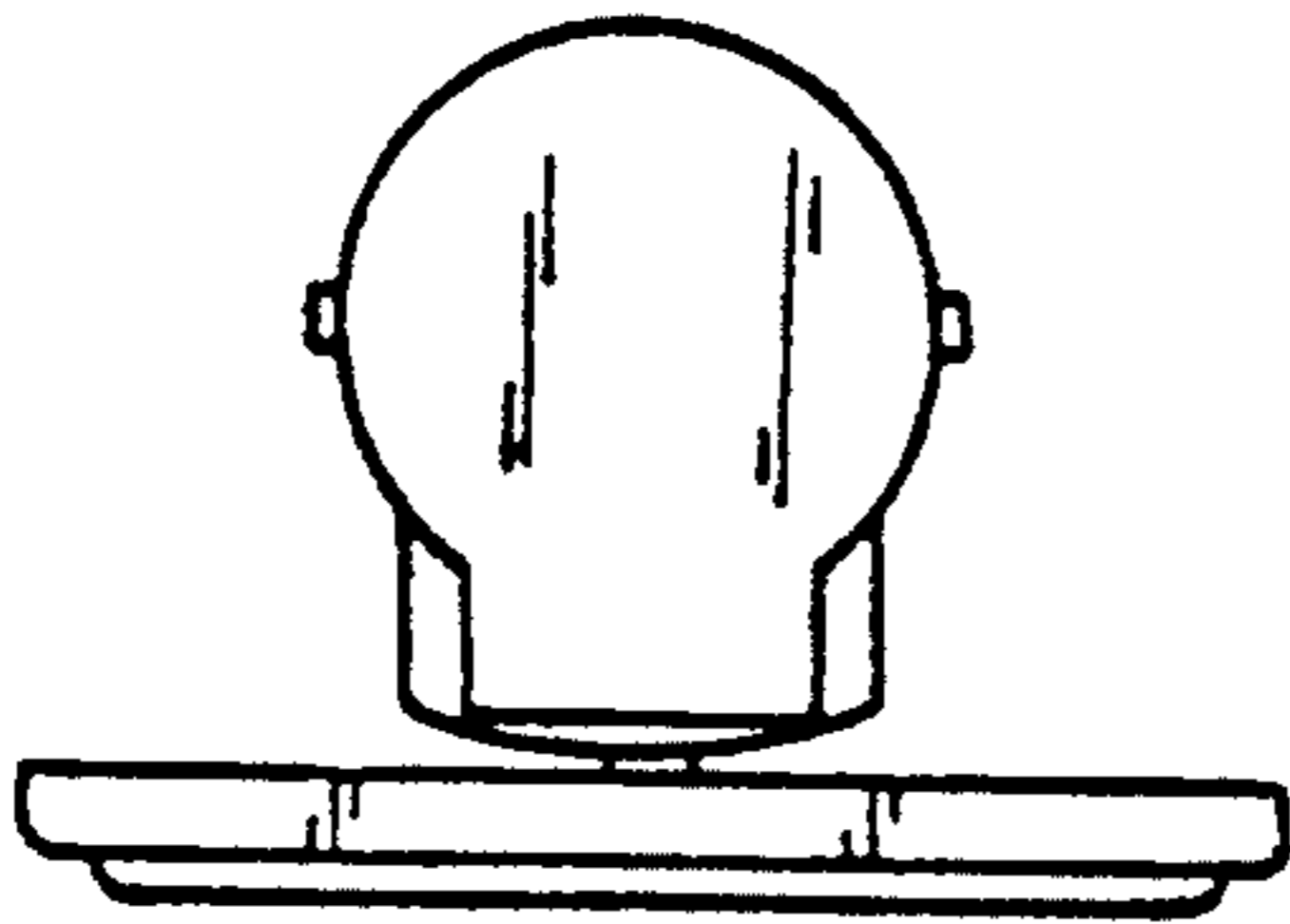


FIG.4

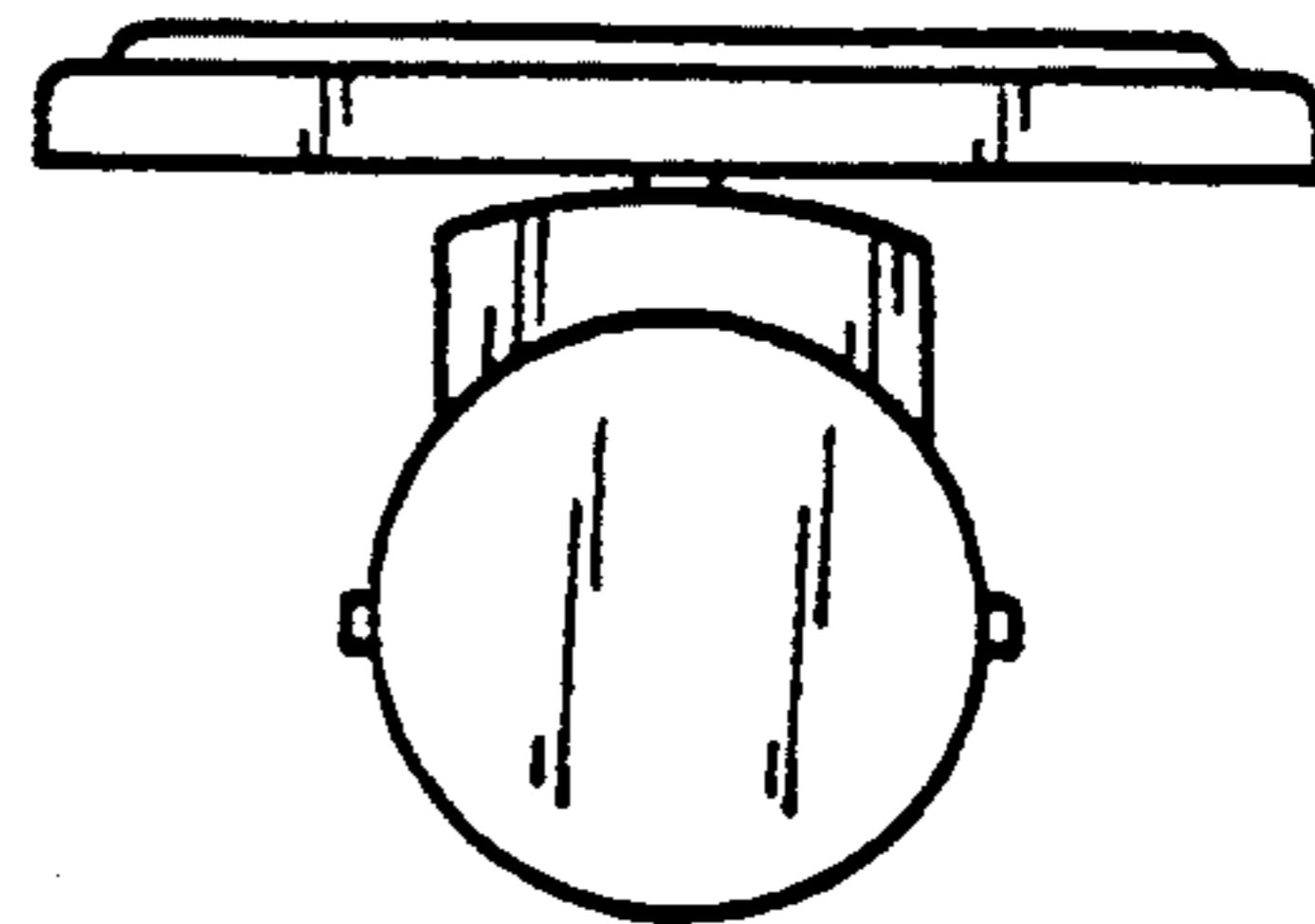


FIG.5

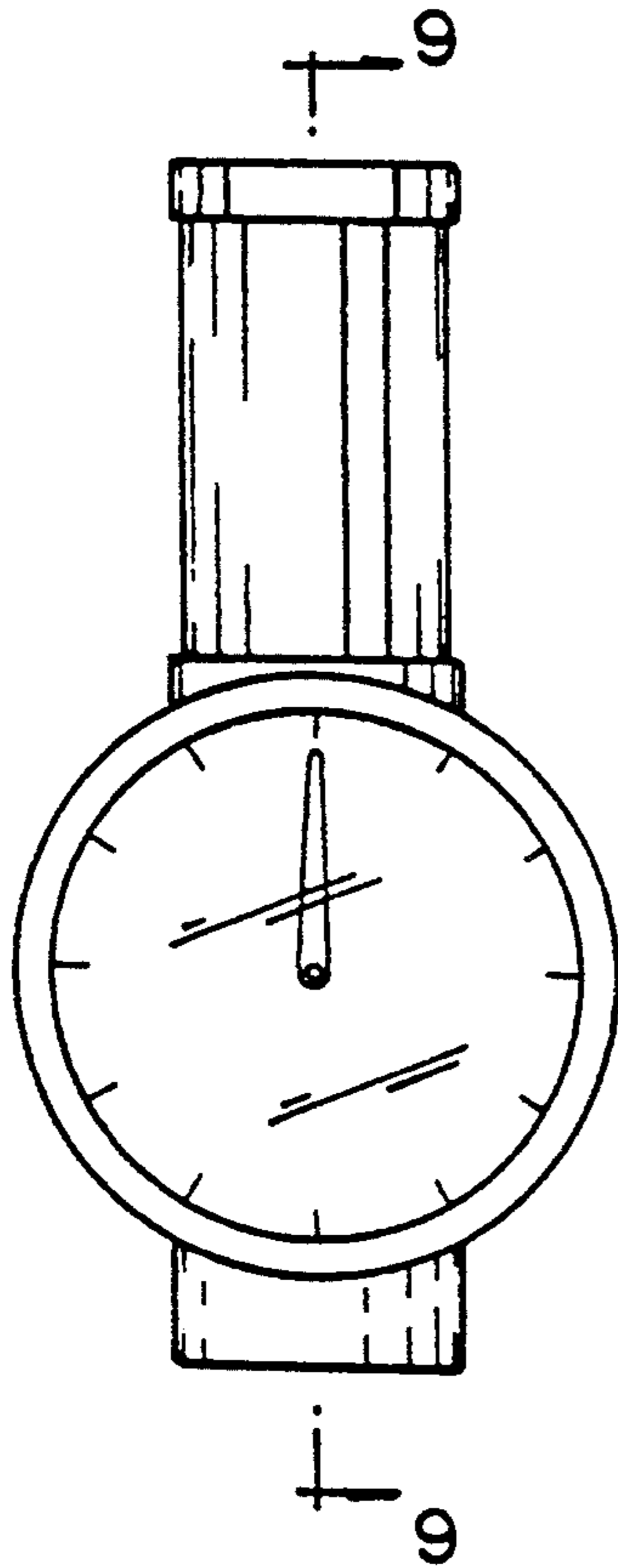


FIG.6

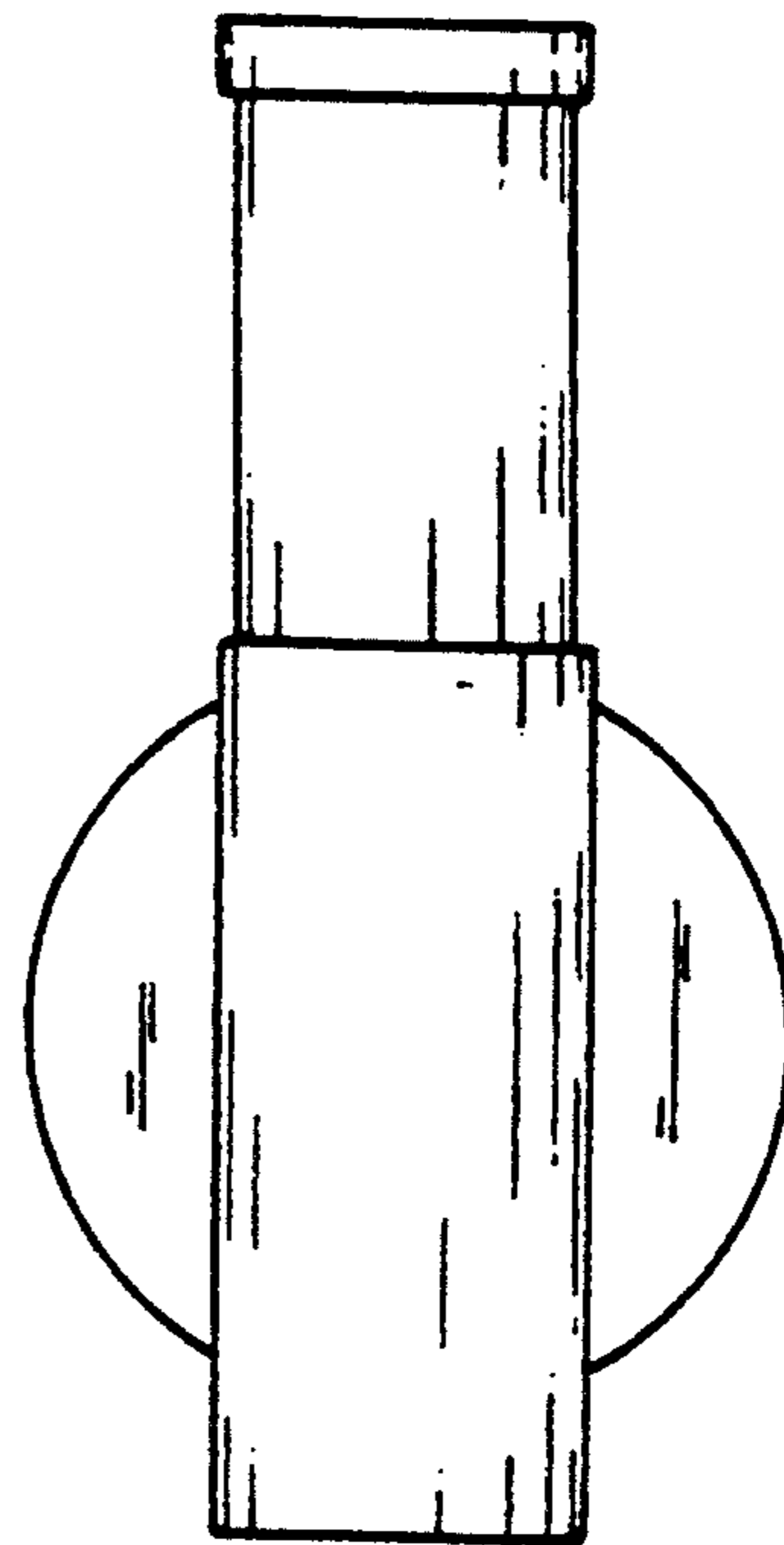


FIG. 7

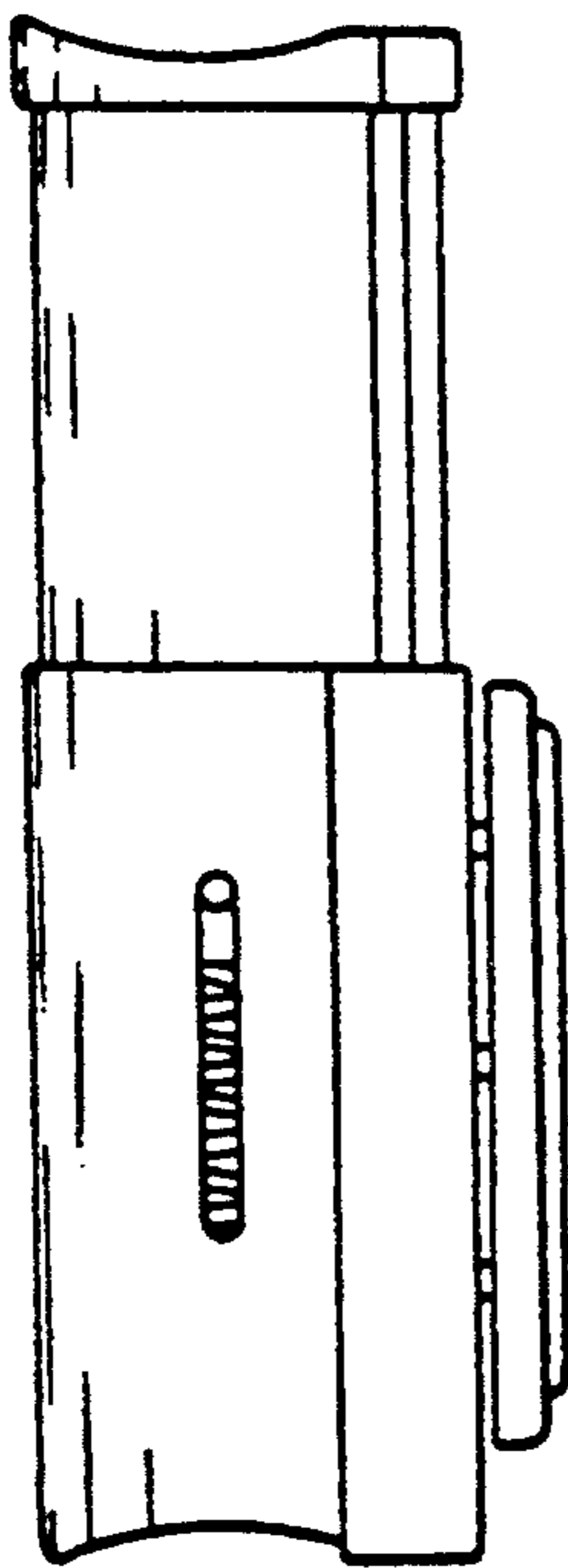


FIG. 8

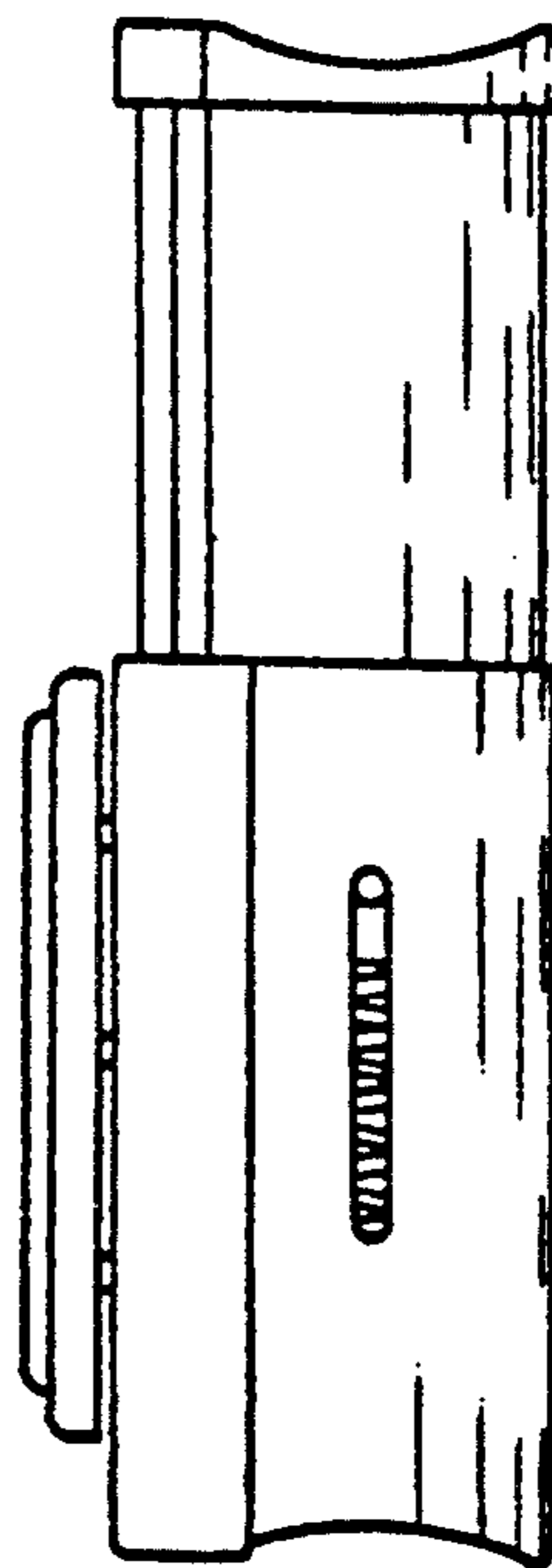


FIG. 9

