



US00D354446S

# United States Patent [19]

[11] Patent Number: **Des. 354,446**

Meehan

[45] Date of Patent: **\*\* Jan. 17, 1995**

[54] **POUR CUP FOR FILLING CONTAINERS**

[75] Inventor: **James E. Meehan**, Hopewell Township, Mercer County, N.J.

[73] Assignee: **Carter-Wallace, Inc.**, New York, N.Y.

[\*\*] Term: **14 Years**

[21] Appl. No.: **16,196**

[22] Filed: **Dec. 10, 1993**

[52] U.S. Cl. .... **D10/46.2**

[58] Field of Search ..... D9/424, 425, 418, 432; D3/304; 206/45.19, 45.16, 77.1, 592; 220/86.1, 212; 73/426-429; D10/46.2, 96

[56] **References Cited**

**U.S. PATENT DOCUMENTS**

- D. 174,365 3/1955 Wilson ..... D10/46.2
- D. 232,527 8/1974 Sears ..... D10/46.2 X
- 244,883 7/1881 Gantt ..... D10/46.2 X

- D. 248,019 5/1978 Scheid ..... D10/46.2 X
- 2,170,150 8/1939 Martin, Jr. .... 73/426
- 2,793,789 5/1957 Hodge ..... 73/427 X
- 3,808,892 5/1974 Litton ..... 73/427
- 4,969,356 11/1990 Hartstein ..... 73/426 X

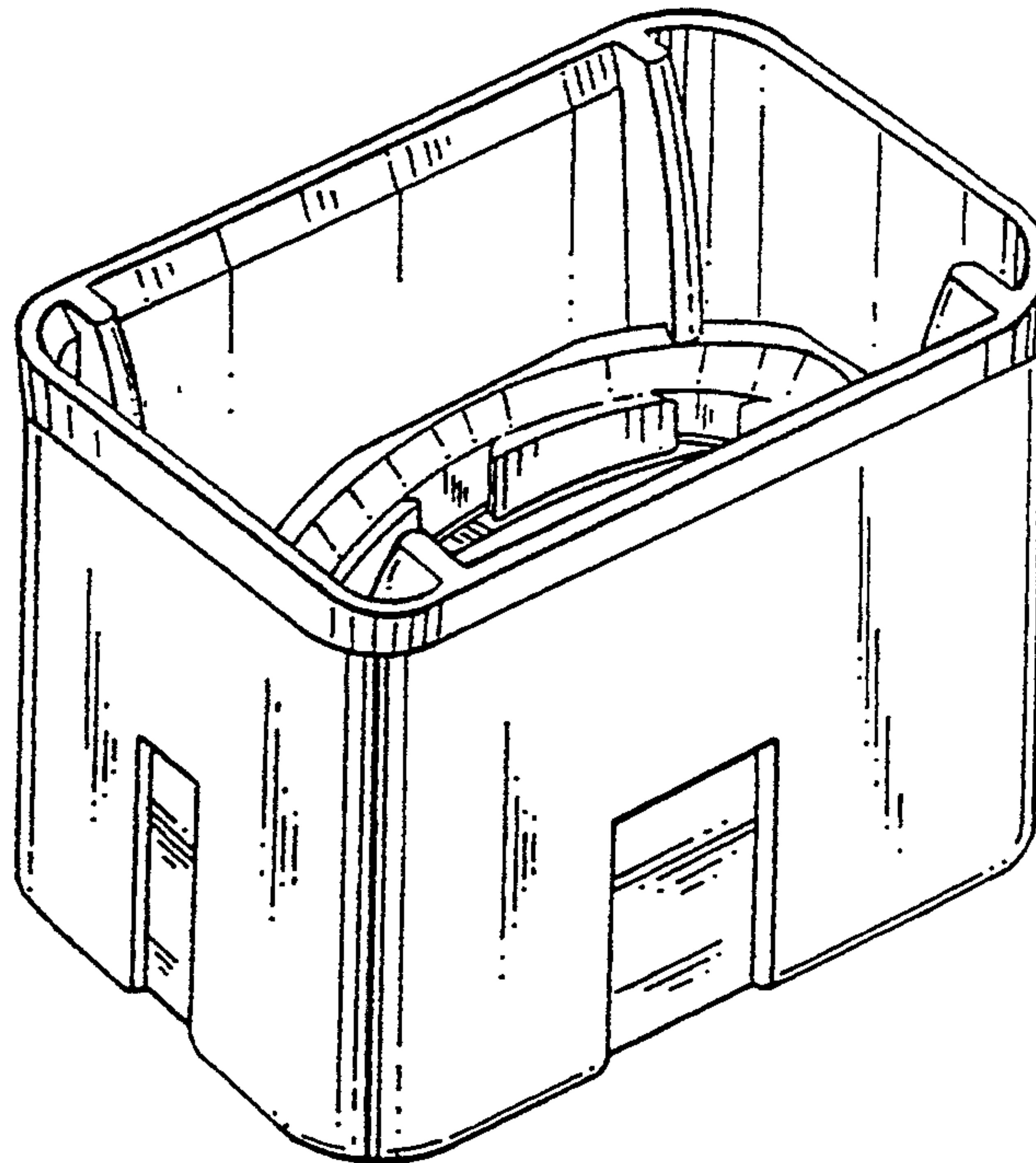
*Primary Examiner*—Prabhakar G. Deshmukh  
*Attorney, Agent, or Firm*—Watov & Kipnes

[57] **CLAIM**

The ornamental design for a pour cup for filling containers, as shown and described.

**DESCRIPTION**

FIG. 1 is a perspective view of a pour cup for filling containers showing my new design; FIG. 2 is a front elevational view thereof, whereby the back elevational view is a mirror image thereof; FIG. 3 is a side elevational view thereof, whereby the opposing side is a mirror image thereof; FIG. 4 is a top plan view thereof; FIG. 5 is a bottom plan view thereof; and, FIG. 6 is a bottom plan view thereof.



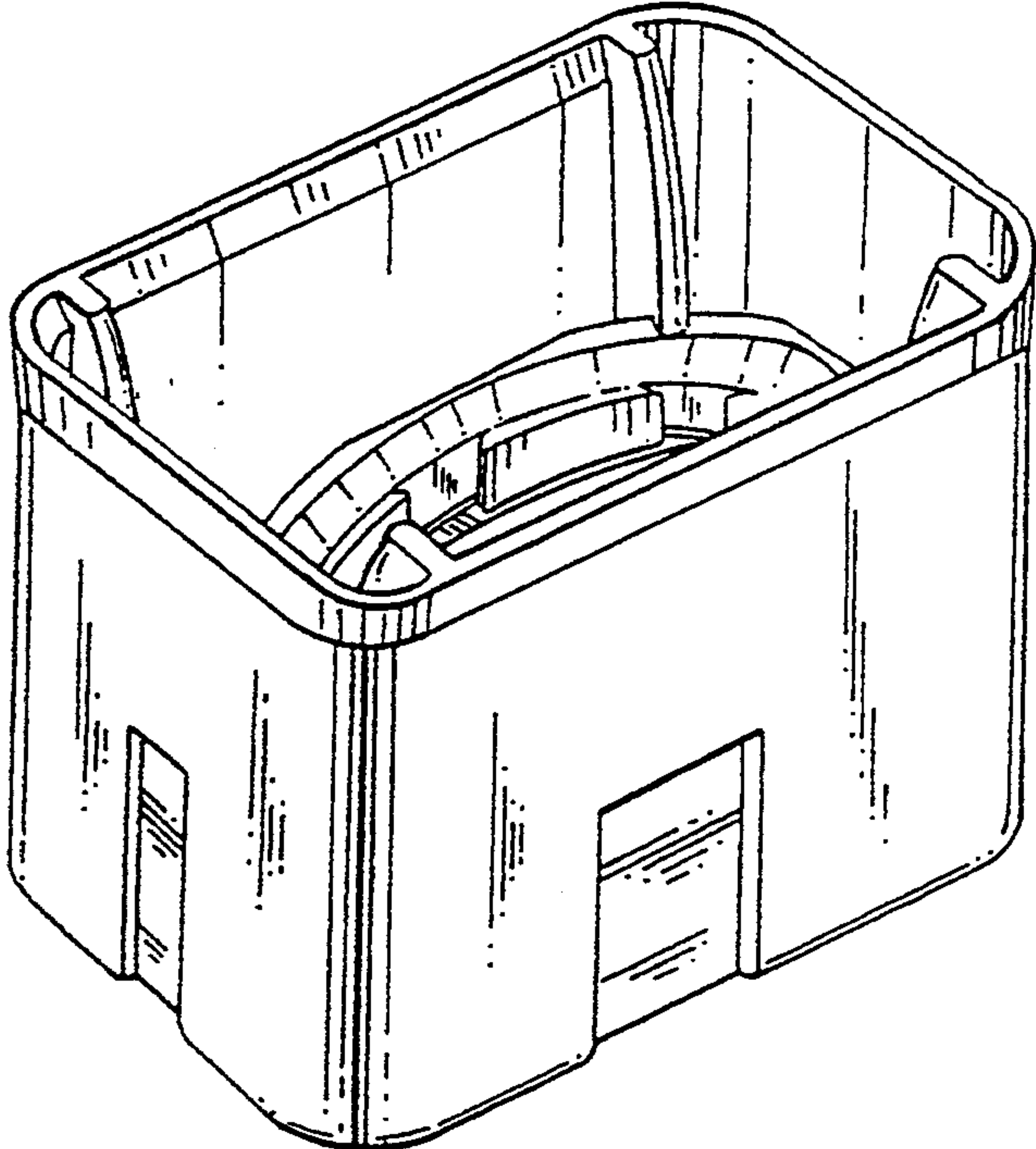


FIG. 1

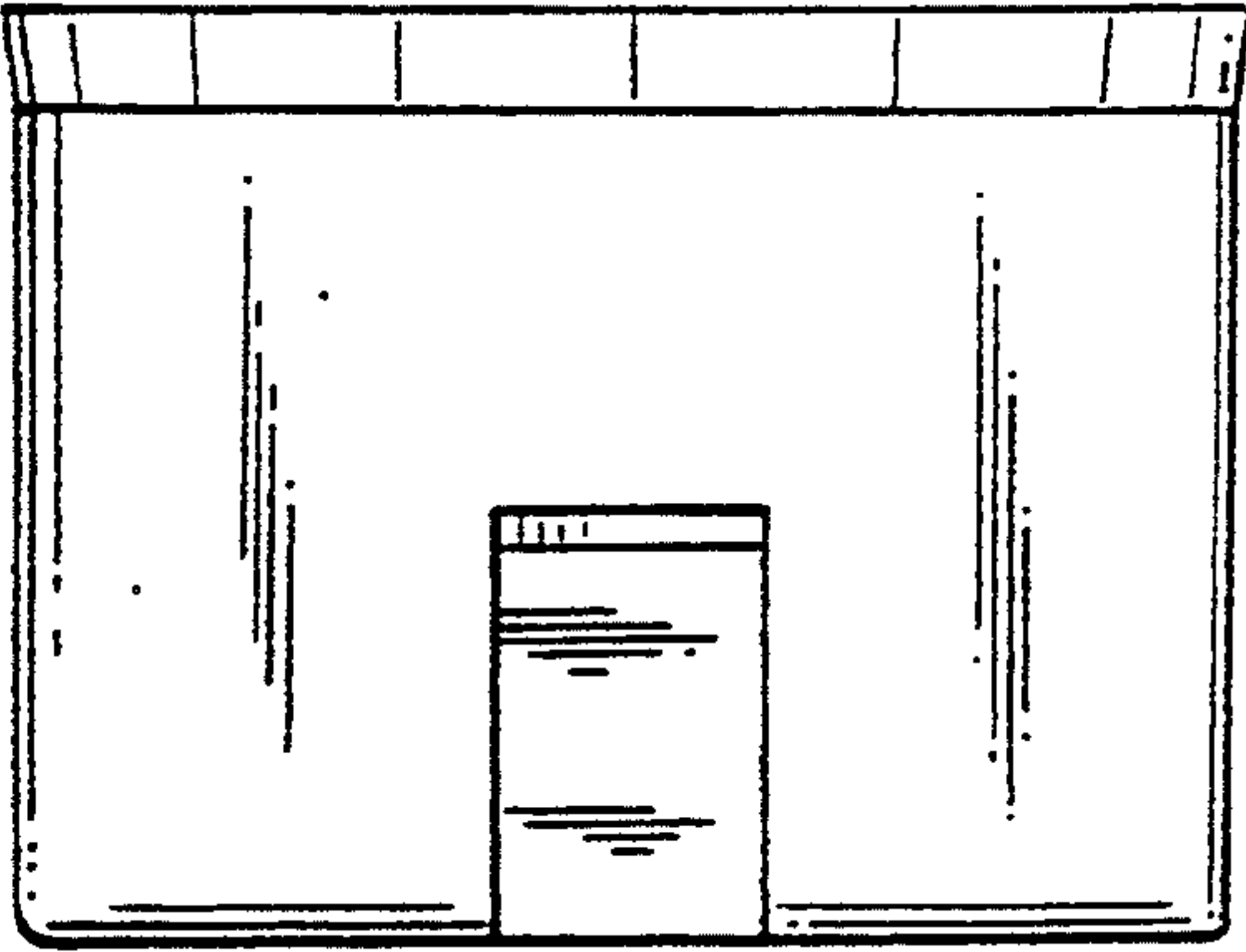


FIG. 2

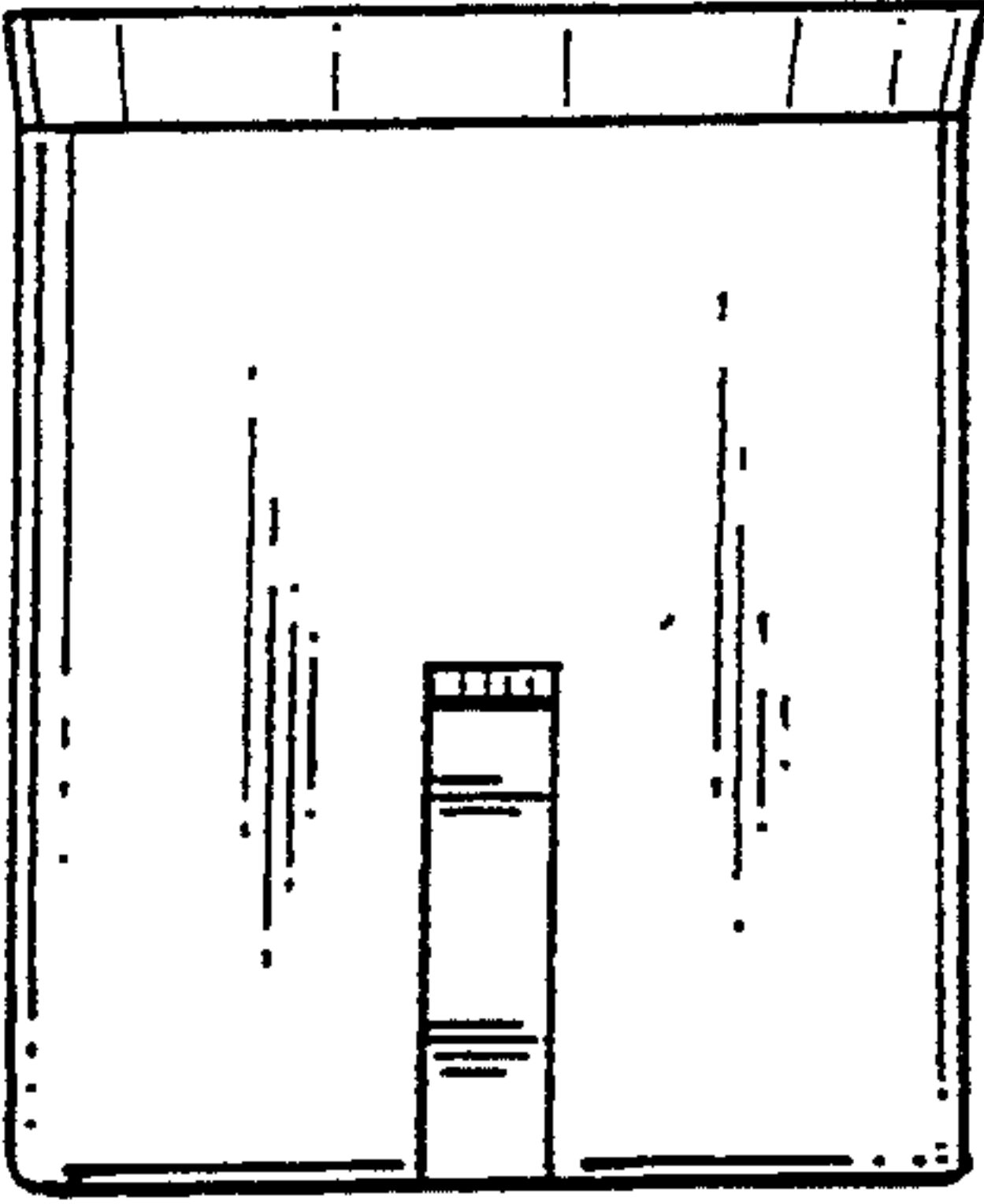


FIG. 3

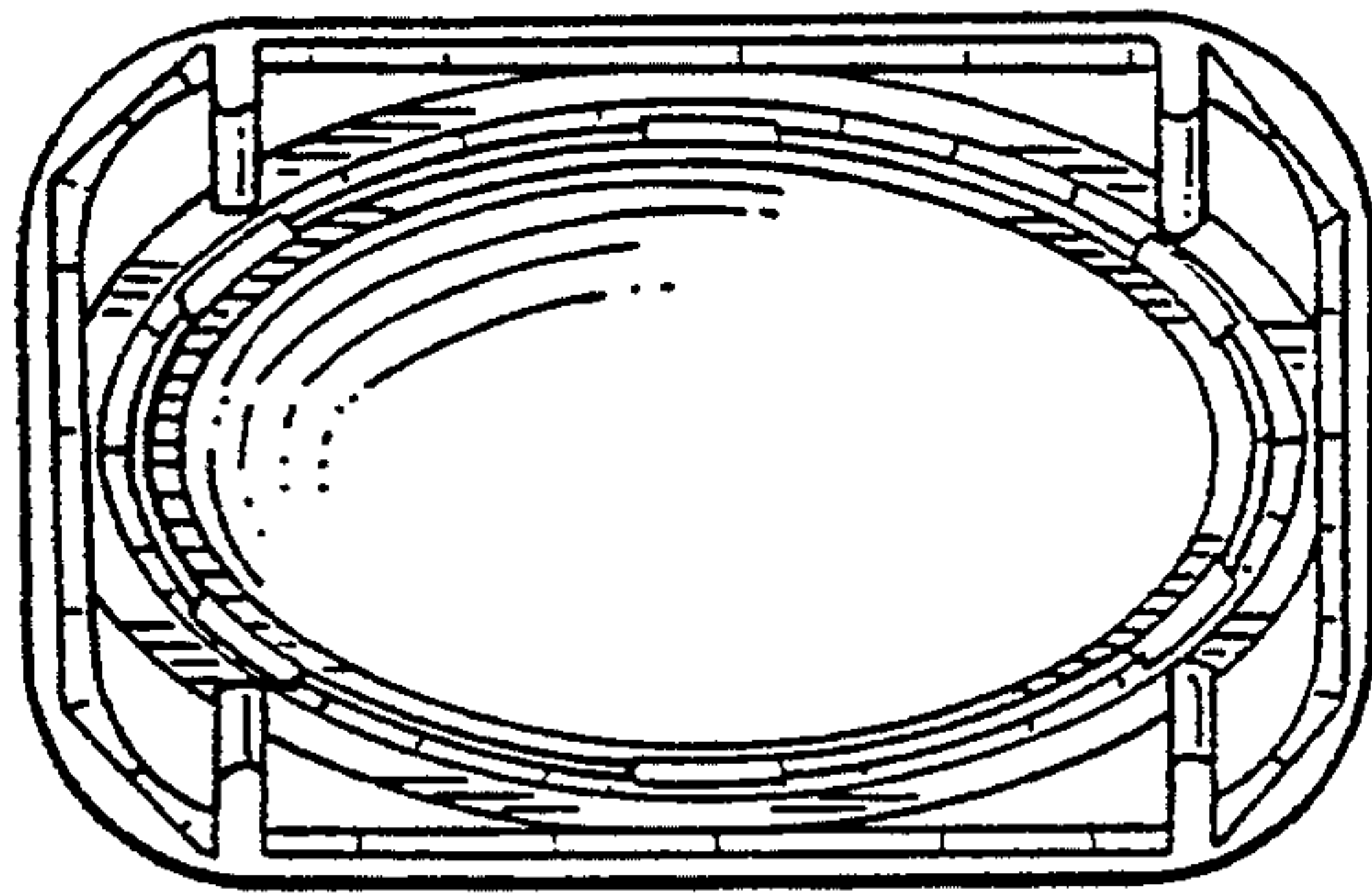


FIG. 4

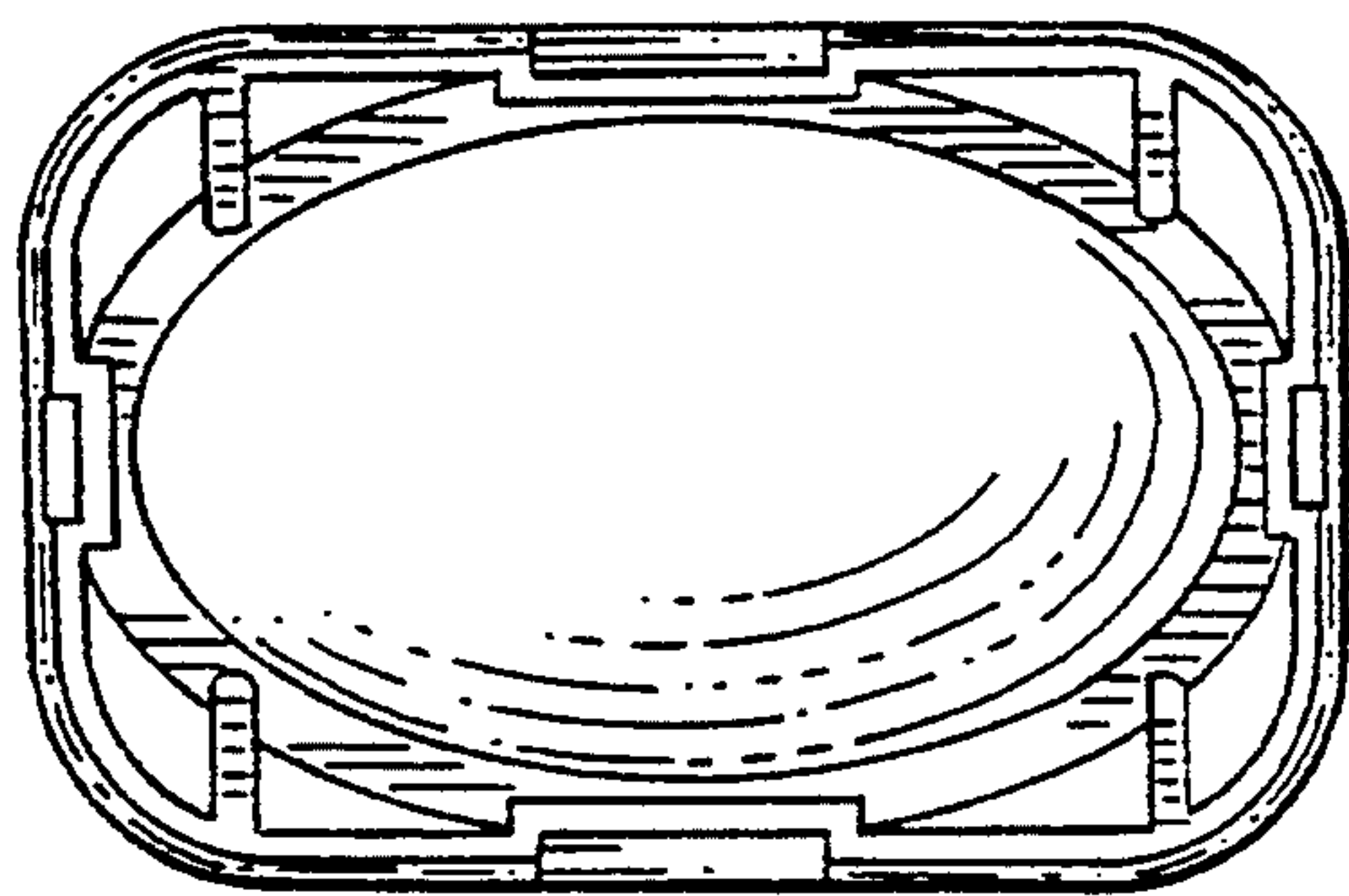


FIG. 5

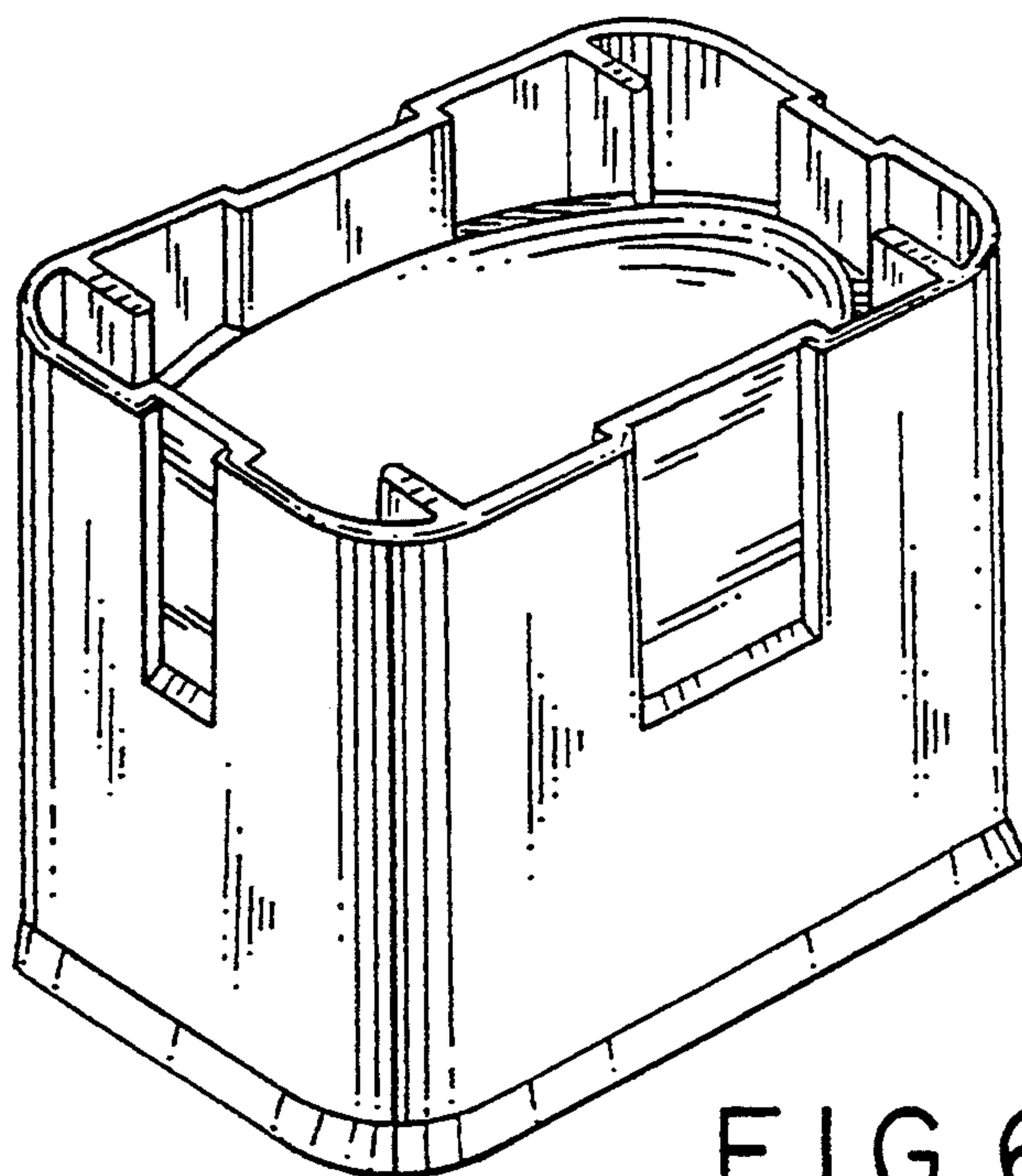


FIG. 6