



US00D354439S

United States Patent [19]

[11] Patent Number: **Des. 354,439**

Kuplien

[45] Date of Patent: **** Jan. 17, 1995**

[54] **FOAM SPOUT**

[76] Inventor: **Rainer Kuplien, Bodenheimer Strabe
18, D-6500 Mainz, Germany**

[**] Term: **14 Years**

[21] Appl. No.: **954,059**

[22] Filed: **Sep. 29, 1992**

[30] **Foreign Application Priority Data**

Mar. 30, 1992 [DE] Germany DM/022 444

[52] U.S. Cl. **D9/448**

[58] Field of Search D9/300, 434-435,
D9/440, 444-445, 447, 448, 499; 215/200, 228;
220/915; 222/402.13, 207, 575

[56] **References Cited**

U.S. PATENT DOCUMENTS

D. 177,796	5/1956	Collins	D9/448
D. 204,213	3/1966	Huling	D9/448
D. 234,342	2/1975	Schick	D9/448
D. 236,684	9/1975	Hebblethwaite	D9/300
D. 301,205	5/1989	Joyaux et al.	D9/448
D. 342,809	12/1993	Thomas	D9/300
4,696,415	9/1987	Meshberg	222/207

FOREIGN PATENT DOCUMENTS

9212063 7/1992 WIPO 222/575

Primary Examiner—Alan P. Douglas

Assistant Examiner—R. Spear

[57] **CLAIM**

The ornamental design for a foam spout, as shown and described.

DESCRIPTION

FIG. 1 is a front perspective view of a foam spout showing my new design;

FIG. 2 is a top plan view thereof;

FIG. 3 is a front elevational view thereof;

FIG. 4 is a right side elevational view thereof;

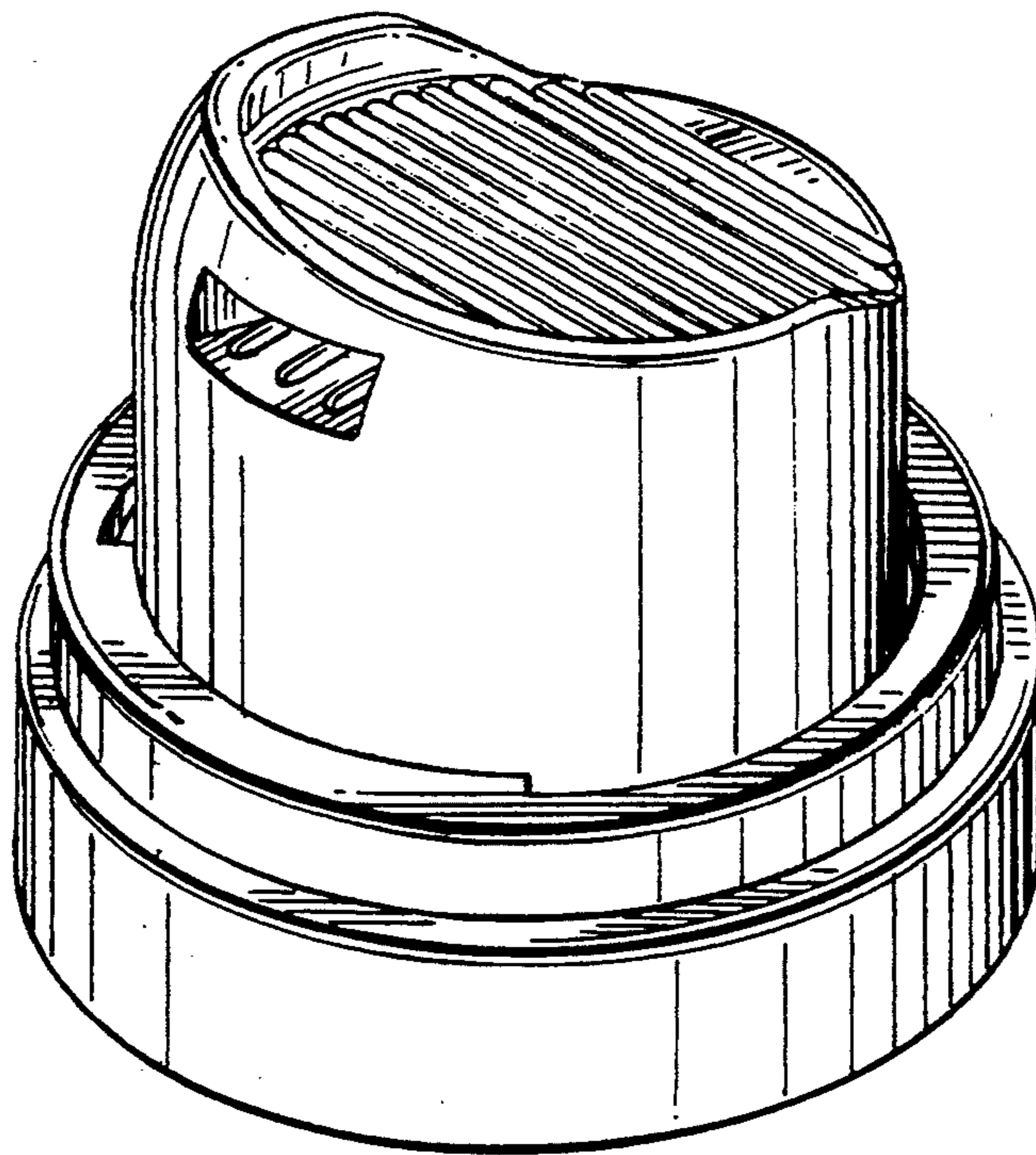
FIG. 5 is a left side elevational view thereof;

FIG. 6 is a rear elevational view thereof;

FIG. 7 is a bottom plan view thereof; and,

FIG. 8 is a right side elevational view thereof, with a portion of the outer wall cut away.

The broken lines in FIG. 7 indicate the internal configuration of the bottom of the cap. The broken lines in FIG. 8 indicate the terminus of the side wall of the central portion of the cap. In both cases, the broken lines are for illustrative purposes only and form no part of the claimed design.



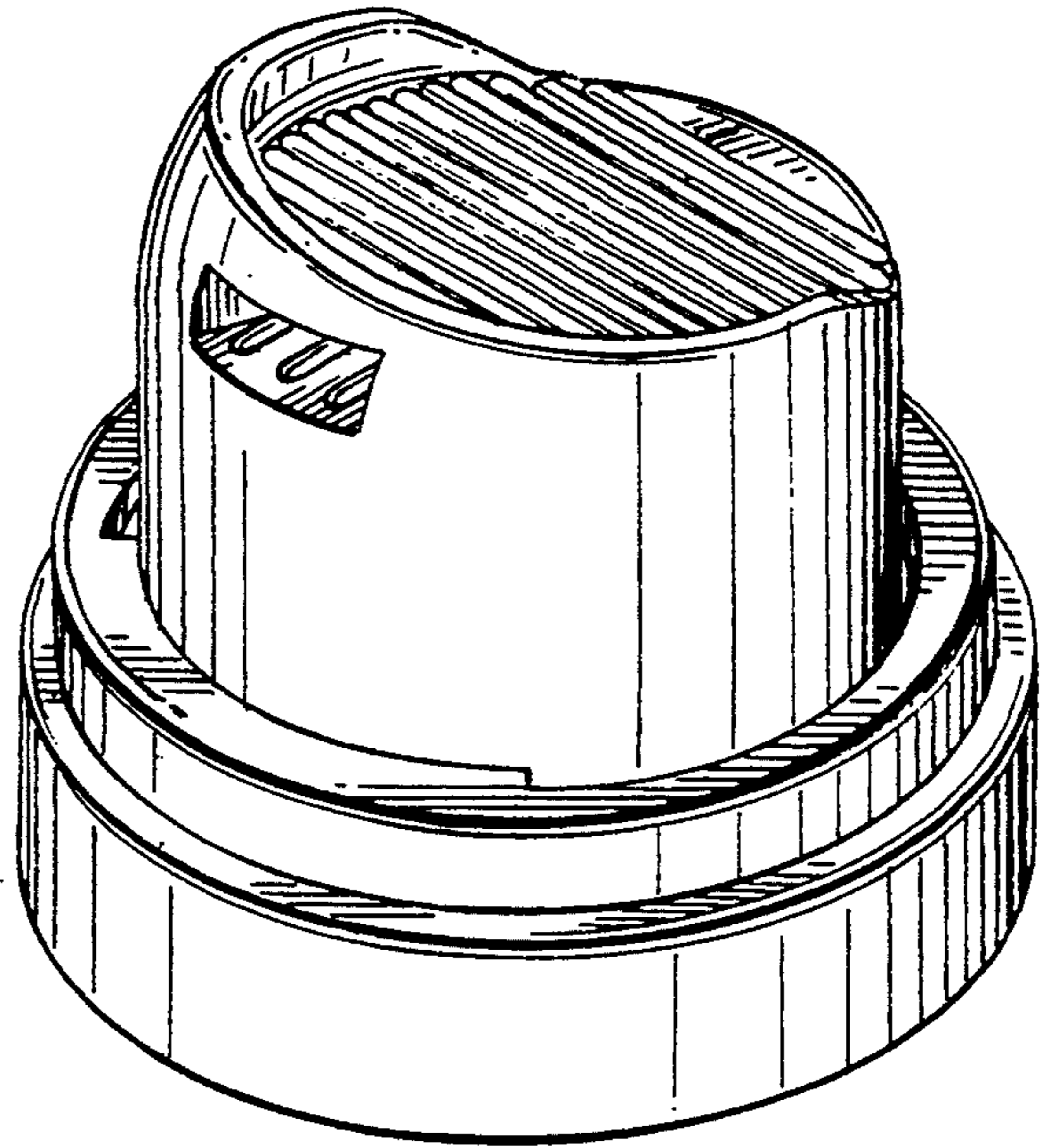


FIG. 1

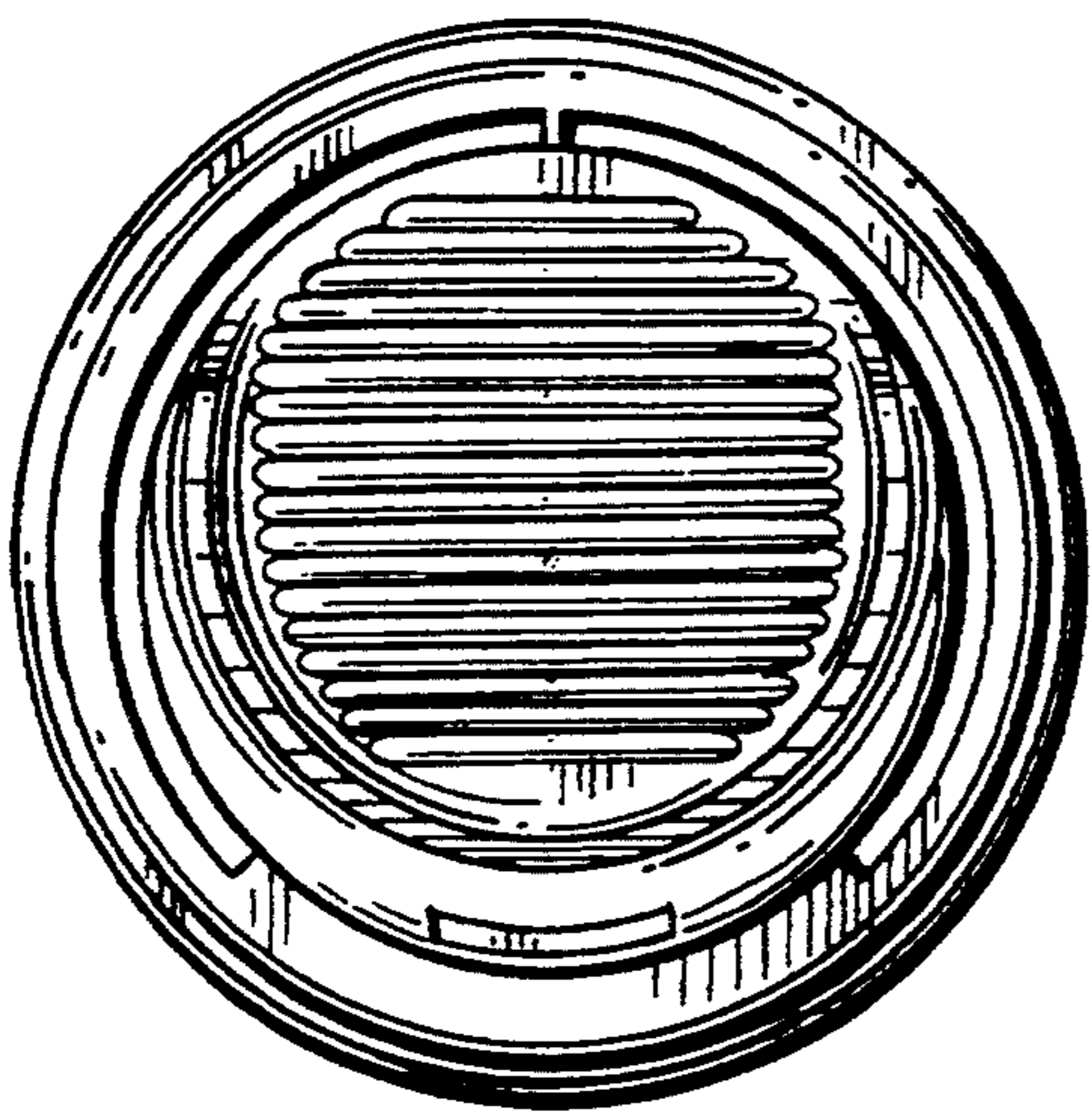


FIG. 2

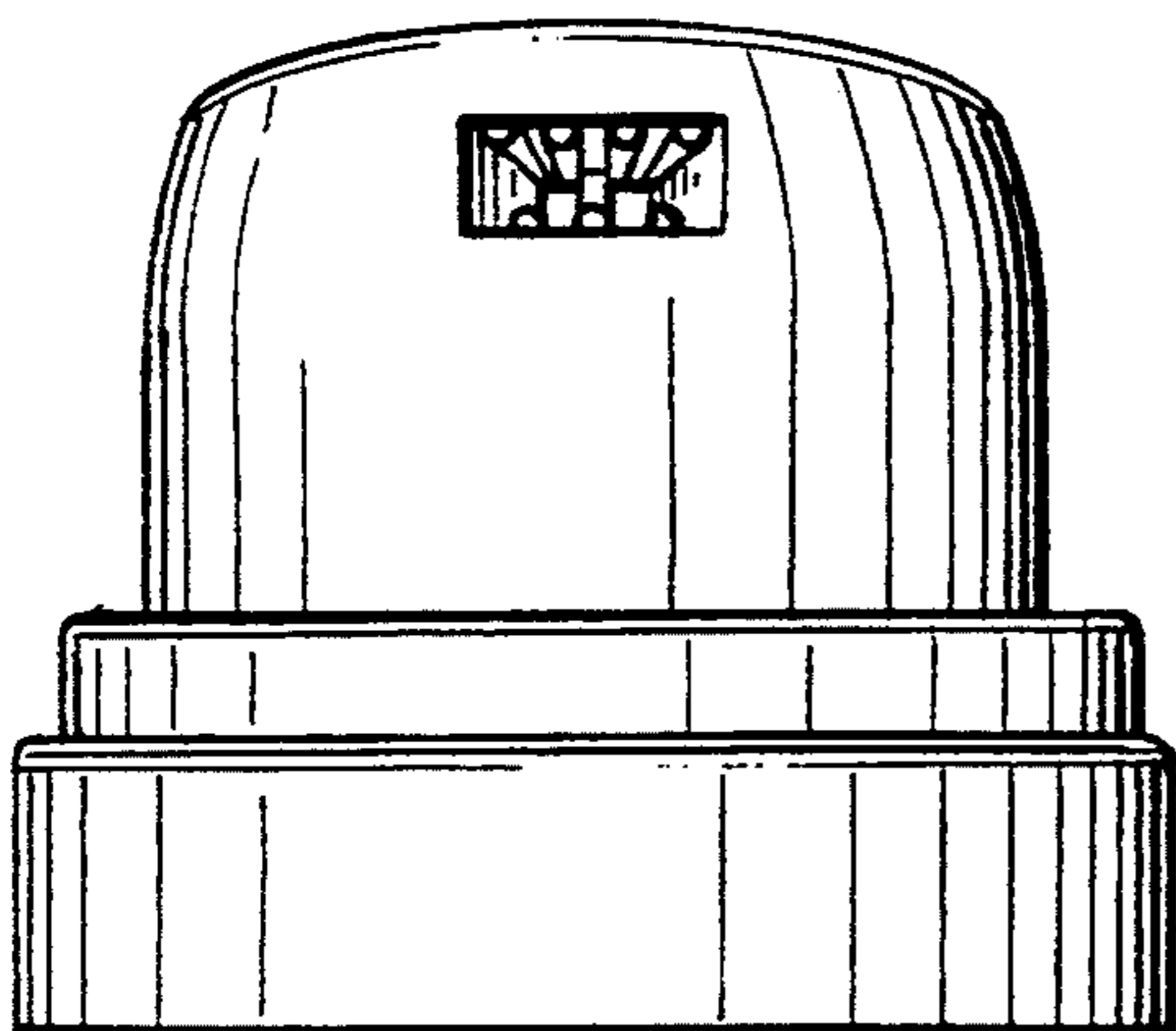


FIG. 3

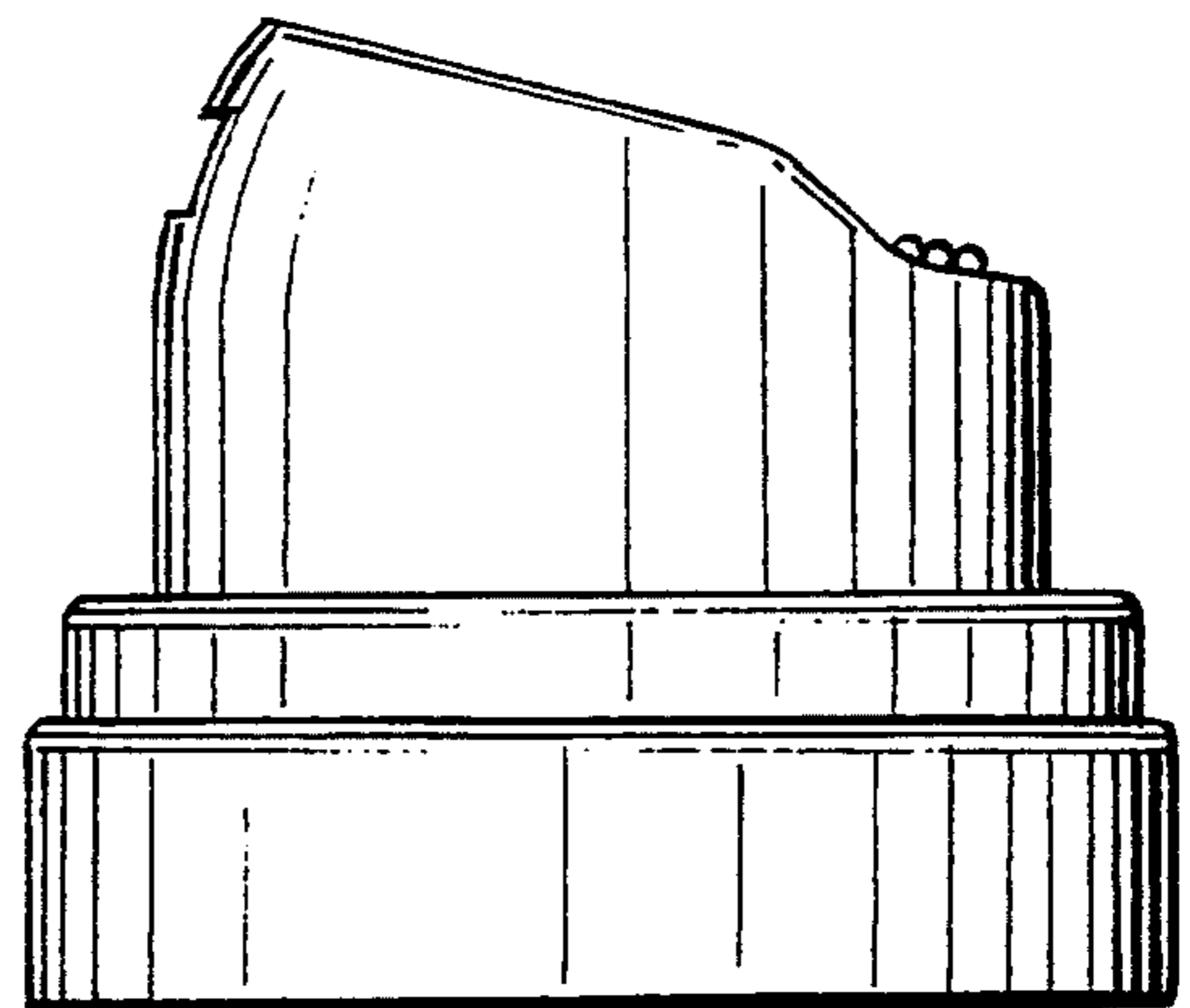


FIG. 4

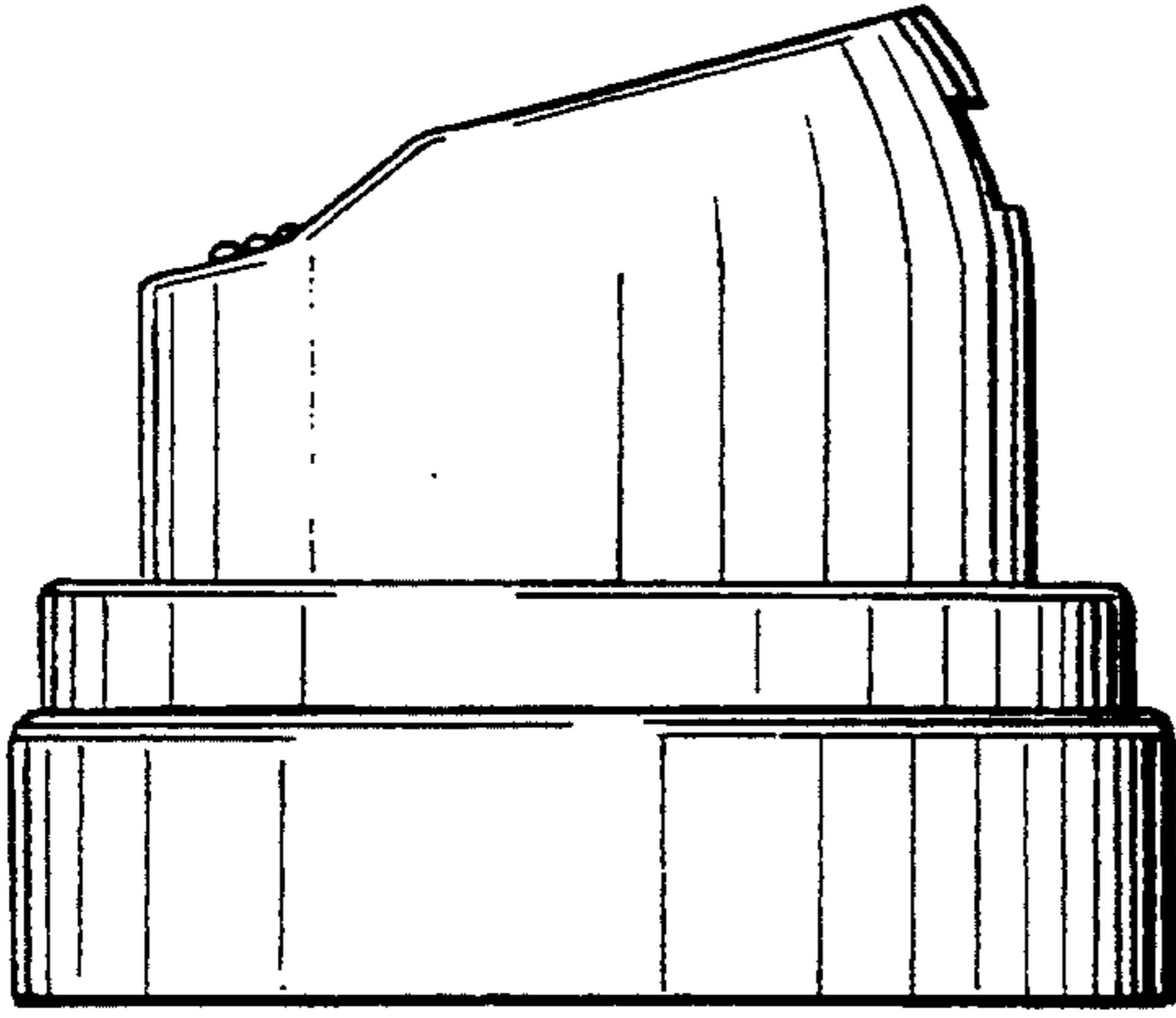


FIG. 5

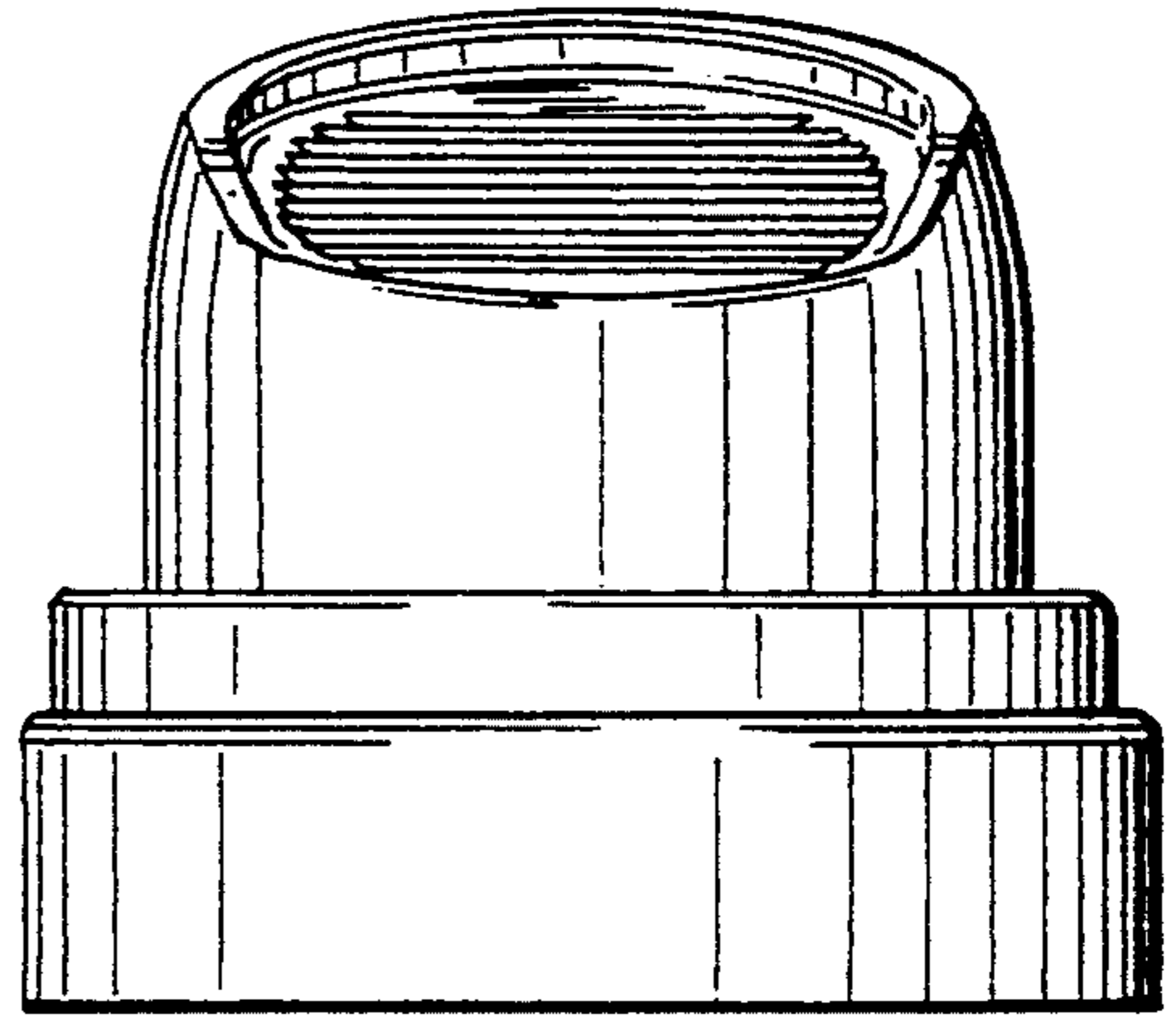


FIG. 6

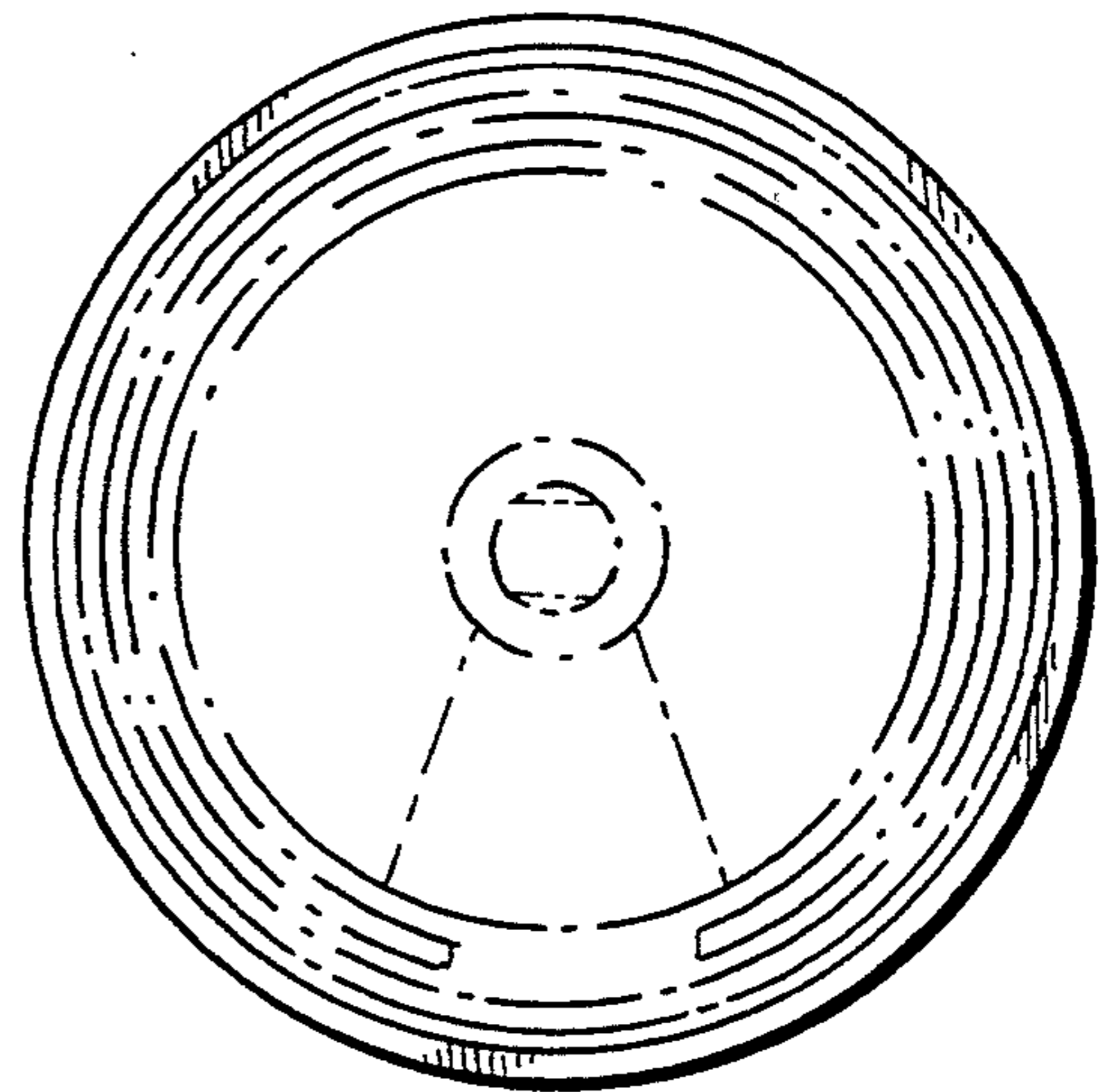


FIG. 7

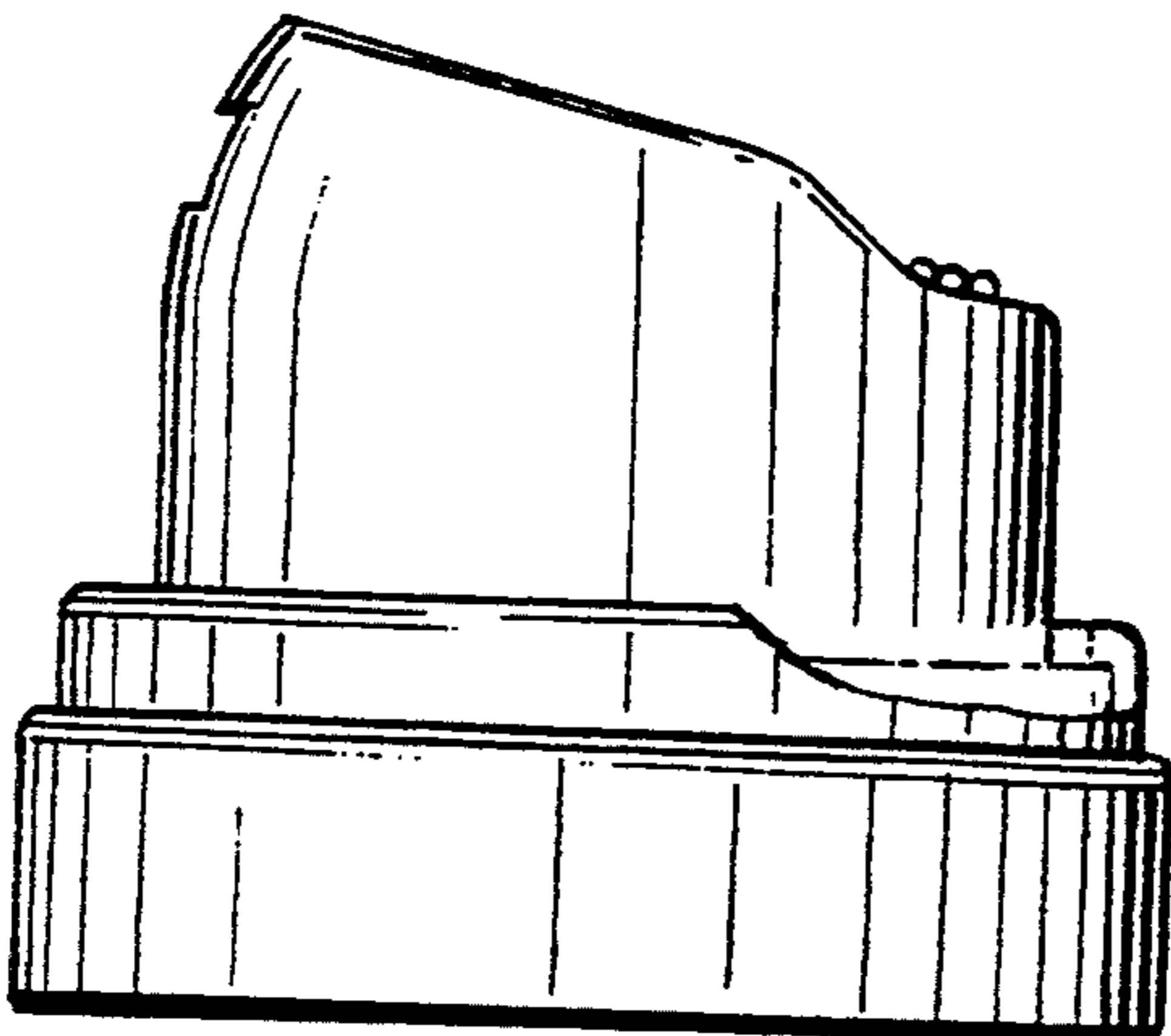


FIG. 8