



US00D354436S

United States Patent [19]

[11] Patent Number: **Des. 354,436**

Krupa

[45] Date of Patent: **** Jan. 17, 1995**

[54] **FOOD PACKAGE WITH HINGED LID**

[75] Inventor: **Calvin S. Krupa, Medina, Minn.**

[73] Assignee: **Ultra Pac, Inc., Rogers, Minn.**

[*] Notice: The portion of the term of this patent subsequent to Nov. 1, 2008 has been disclaimed.

[**] Term: **14 Years**

[21] Appl. No.: **14,058**

[22] Filed: **Oct. 12, 1993**

[52] U.S. Cl. **D9/423; D9/425; D9/431**

[58] Field of Search **D9/420-425, D9/431, 432; 220/334, 337, 338, 339, 361, 363, 376, 377, 380, 662, 669, 675, DIG. 12; 206/508, 216, 541, 45.31; D7/602, 629**

[56] **References Cited**

U.S. PATENT DOCUMENTS

- D. 302,774 8/1989 Murphy D9/425 X
- D. 327,220 6/1992 Proffitt et al. D9/423

- D. 330,161 10/1992 Schuh D9/423
- D. 336,850 6/1993 Guillin D9/425 X
- 4,113,095 9/1978 Dietz et al. 206/508
- 5,036,997 8/1991 May et al. 220/335
- 5,204,130 4/1993 McDevitt et al. 220/339 X

OTHER PUBLICATIONS

- Lewisystems Cat 1983, p. 20.
- Tupperware Products, Sep. 1984, p. 9.
- Primary Examiner*—Prabhakar G. Deshmukh
- Attorney, Agent, or Firm*—Haugen and Nikolai

[57] **CLAIM**

The ornamental design for the food package with hinged lid, as shown and described.

DESCRIPTION

FIG. 1 is a perspective view of a food package with hinged lid showing my new design;
 FIG. 2 is a front elevational view thereof;
 FIG. 3 is a left side elevational view thereof; the right side elevational view being a mirror image thereof;
 FIG. 4 is a rear side elevational view thereof;
 FIG. 5 is a top plan view thereof; and,
 FIG. 6 is a bottom plan view thereof.

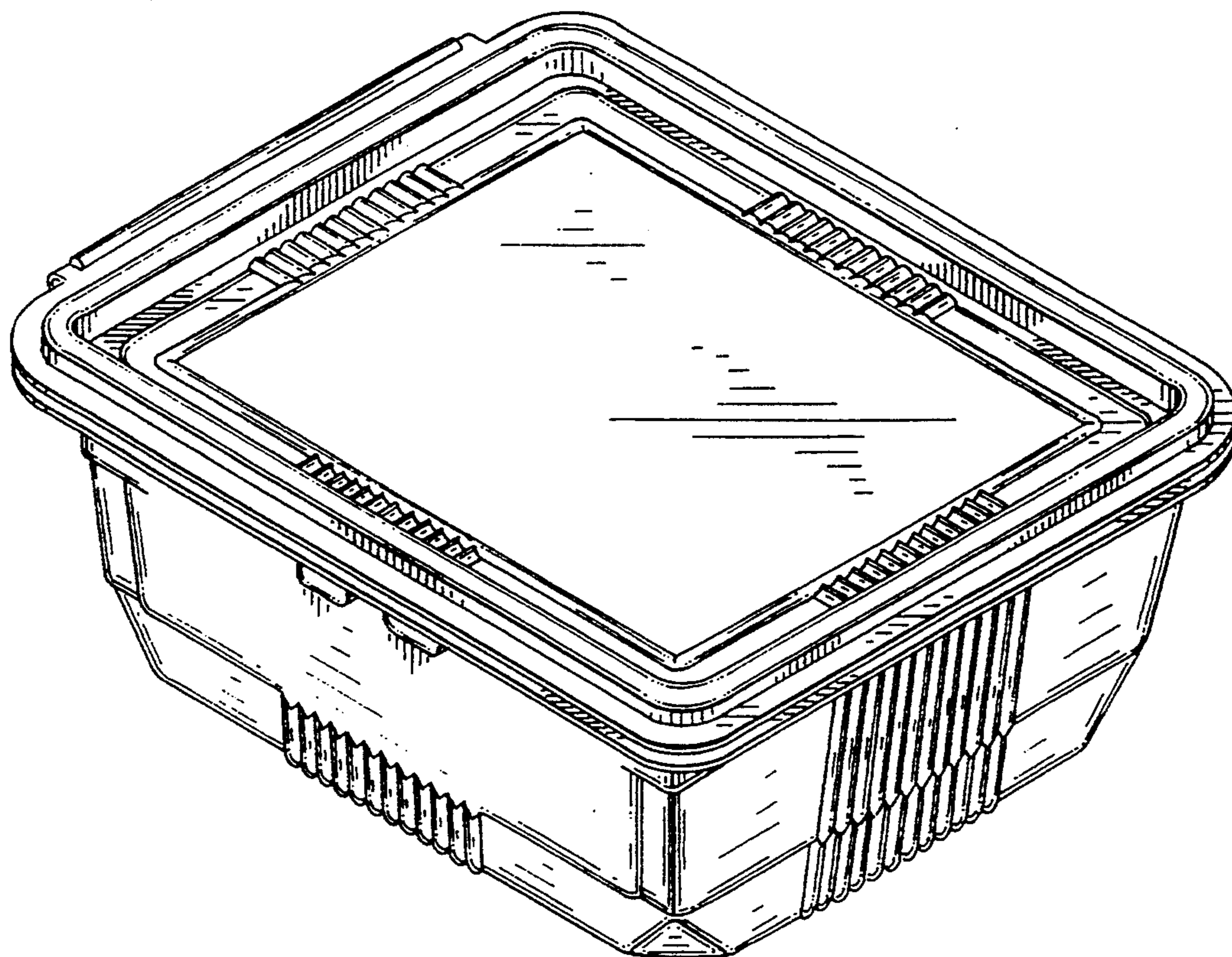


Fig.-1

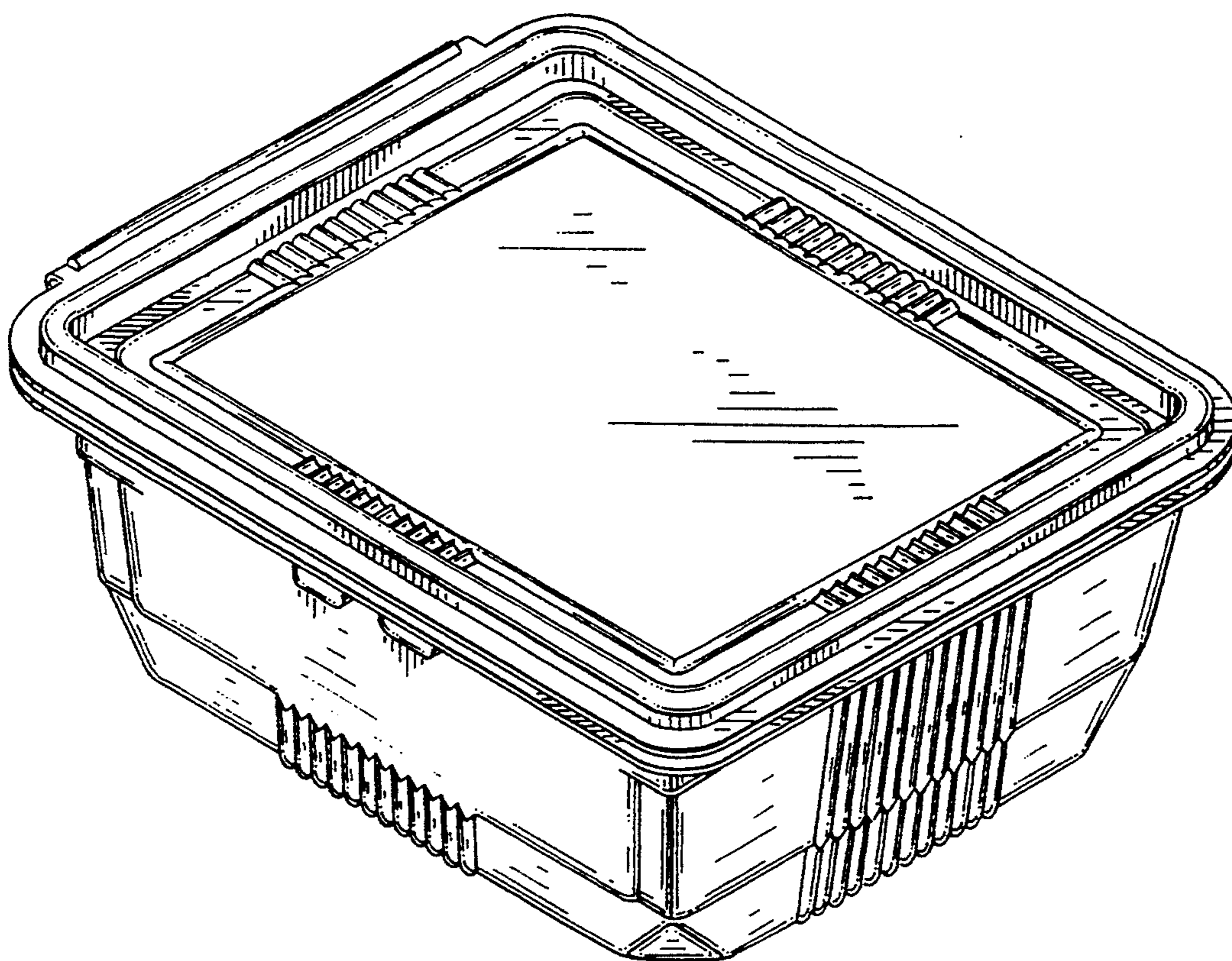


Fig.-2

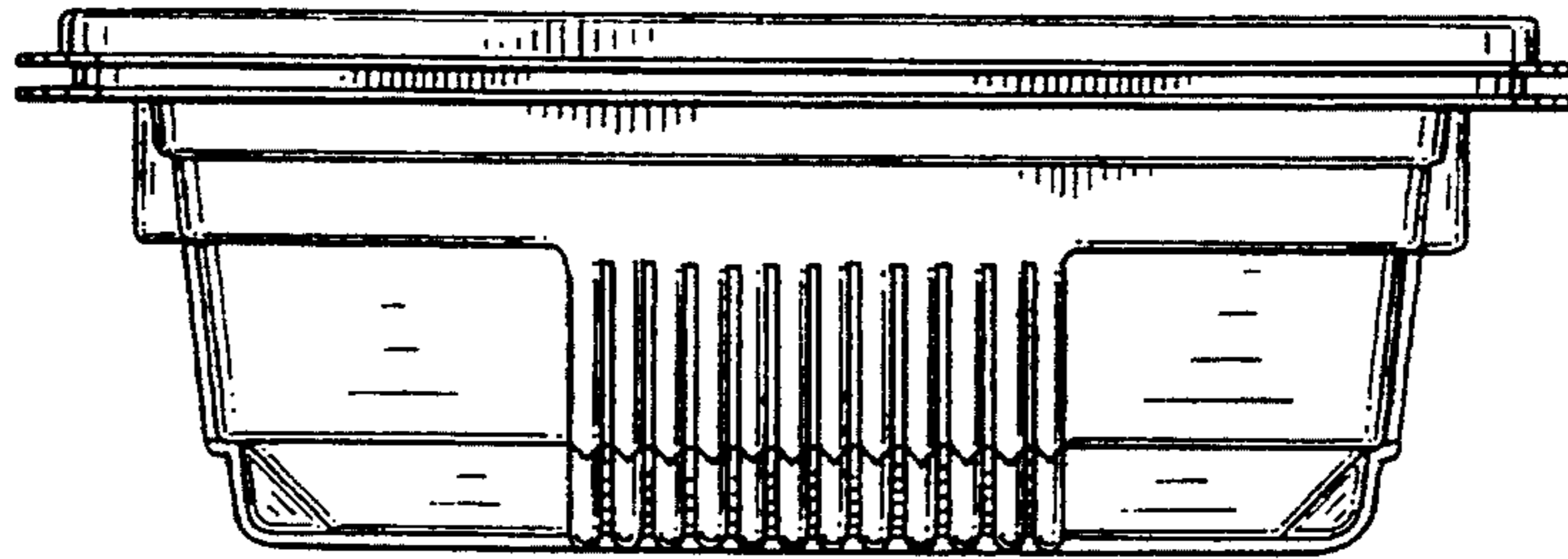


Fig.-3

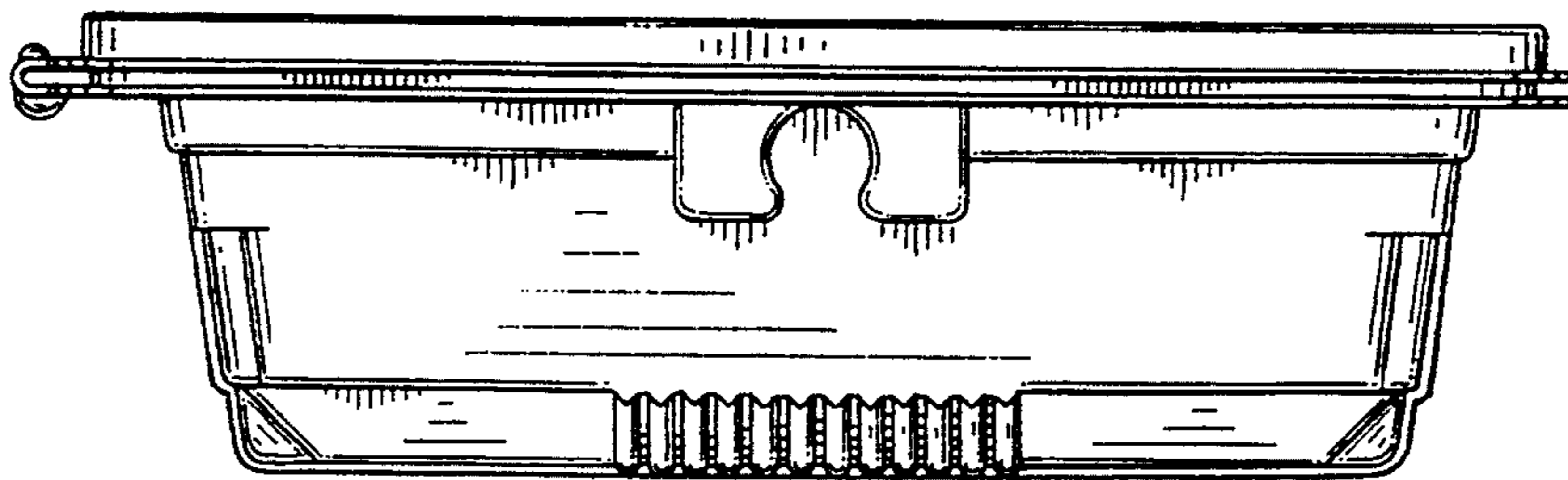
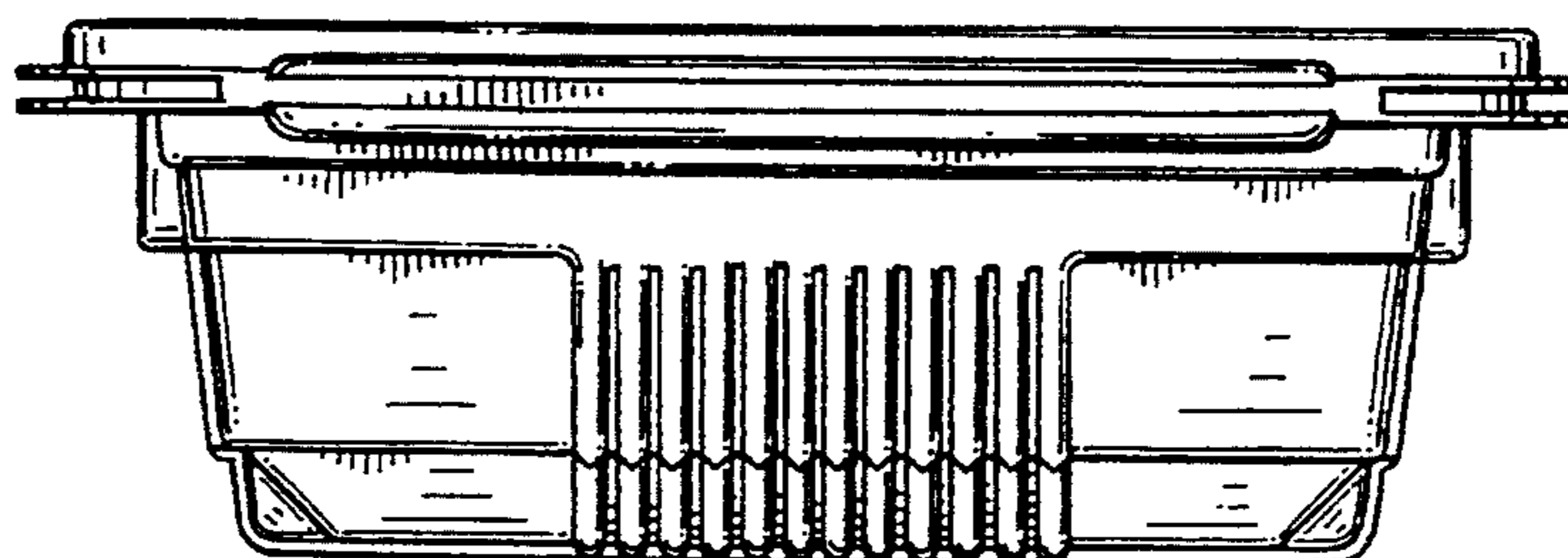


Fig.-4



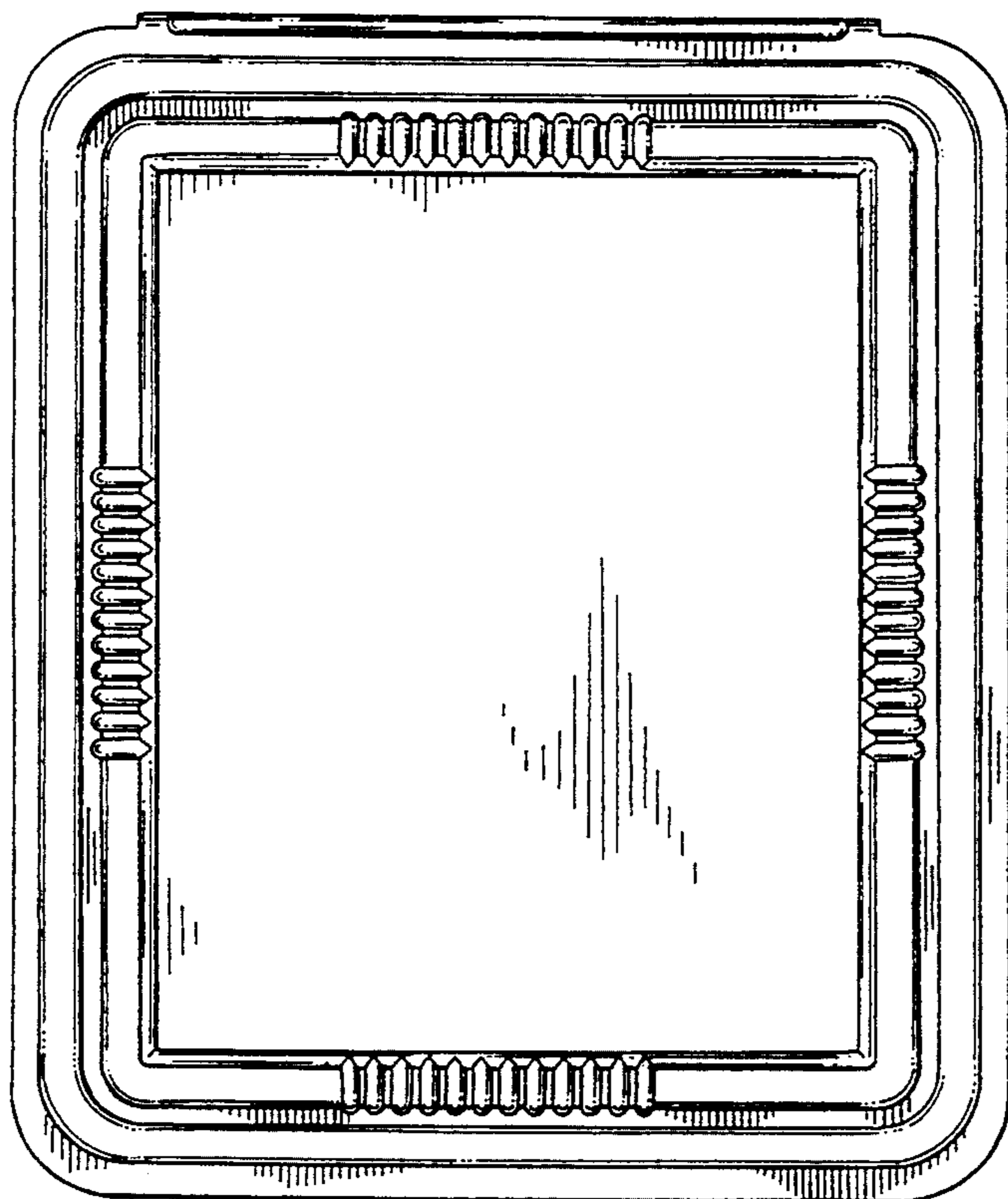


Fig.-5

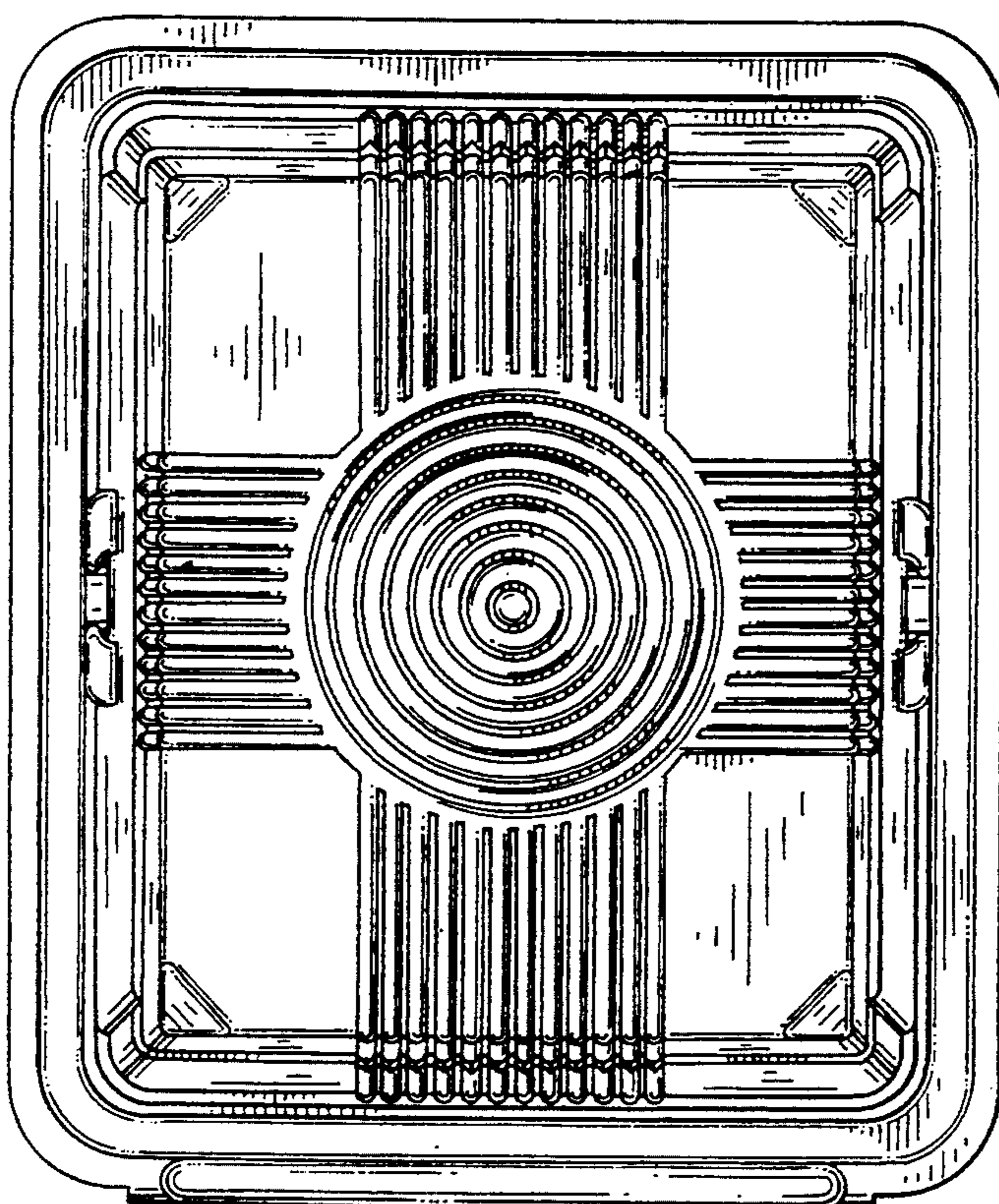


Fig.-6