



US00D354430S

United States Patent [19]

[11] Patent Number: Des. 354,430

Lawrence et al.

[45] Date of Patent: ** Jan. 17, 1995

[54] PAINT CONTAINER HOLDER

[76] Inventors: **Marshall D. Lawrence; Barbara A. Lawrence**, both of 8801 Barr La., Garden Grove, Calif. 92641

[**] Term: **14 Years**

[21] Appl. No.: **10,341**

[22] Filed: **Jul. 6, 1993**

[52] U.S. Cl. **D8/373; D8/370**

[58] Field of Search **D8/373, 370; 248/302, 248/61, 107, 153, 175, 302-303, 339**

[56] **References Cited**

U.S. PATENT DOCUMENTS

| | | | | |
|-----------|--------|-------------|-------|-----------|
| D. 58,112 | 6/1921 | Schaumburg | | D8/373 |
| 2,747,825 | 5/1956 | Lachenmayer | | 248/302 X |
| 3,559,939 | 2/1971 | Luna | | 248/302 X |

FOREIGN PATENT DOCUMENTS

15924 5/1956 Germany 248/302

Primary Examiner—Wallace R. Burke
Assistant Examiner—H. Baynham
Attorney, Agent, or Firm—Roy A. Ekstrand

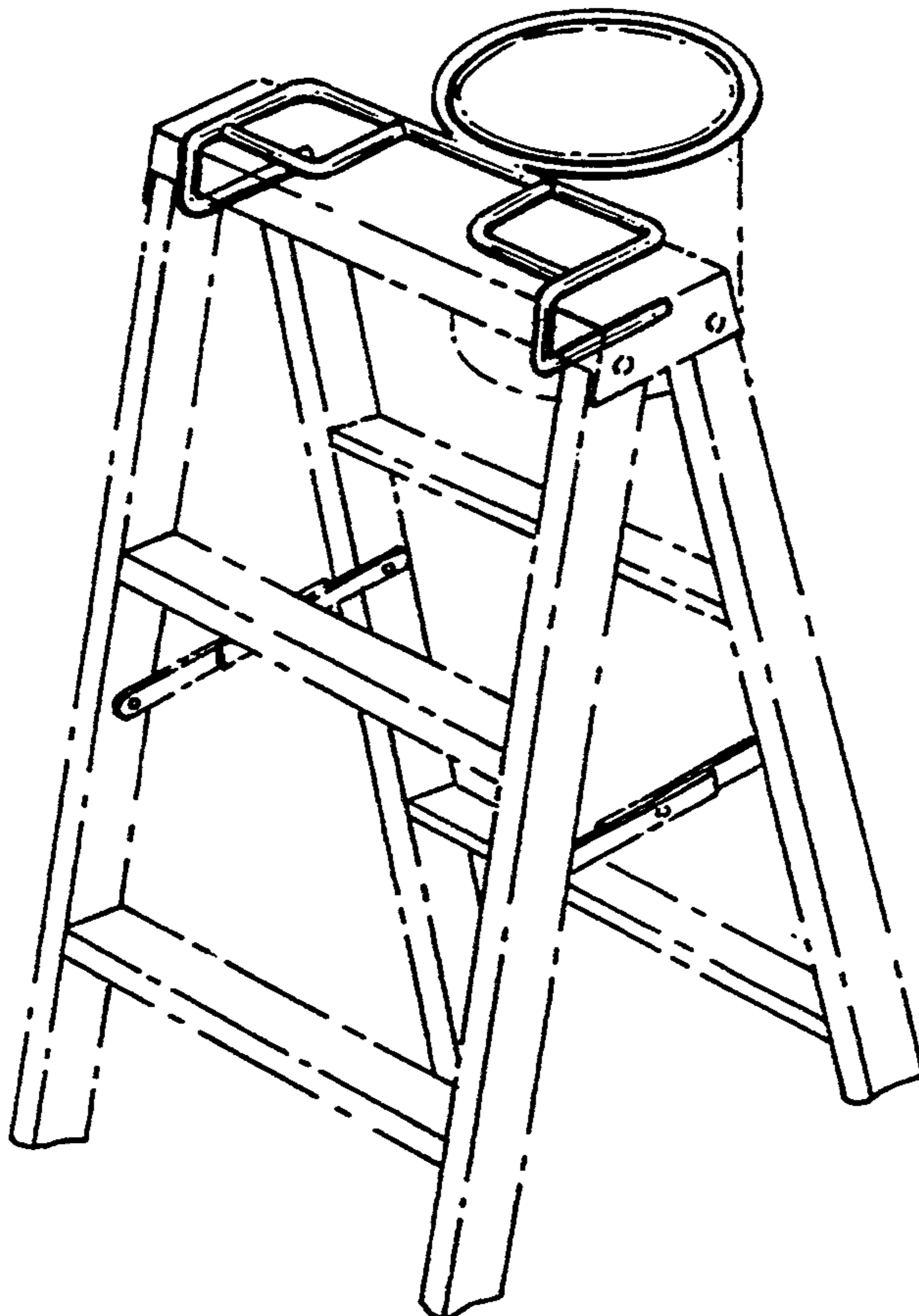
[57] **CLAIM**

The ornamental design for a paint container holder, as shown and described.

DESCRIPTION

FIG. 1 sets forth a perspective view of a paint container holder showing the present invention new design; FIG. 2 is a top plan view thereof; FIG. 3 is a bottom plan view thereof; FIG. 4 is a left side view thereof; FIG. 5 is a right side view thereof; FIG. 6 is a front view thereof; and, FIG. 7 is a rear view thereof.

The broken line showing of a ladder and a container is for illustrative purposes only and forms no part of the claimed design.



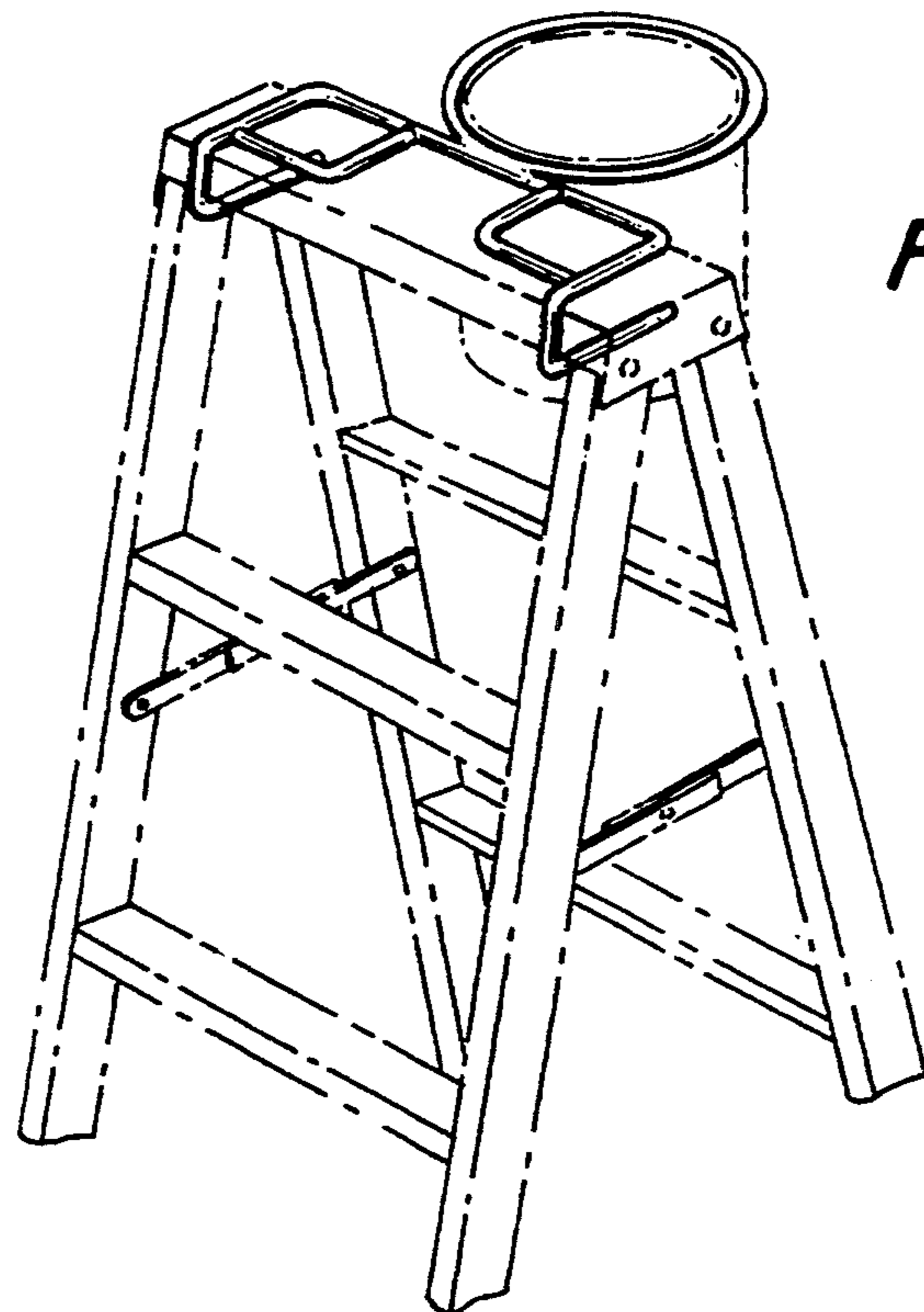


FIG. 1

FIG. 2

FIG. 3

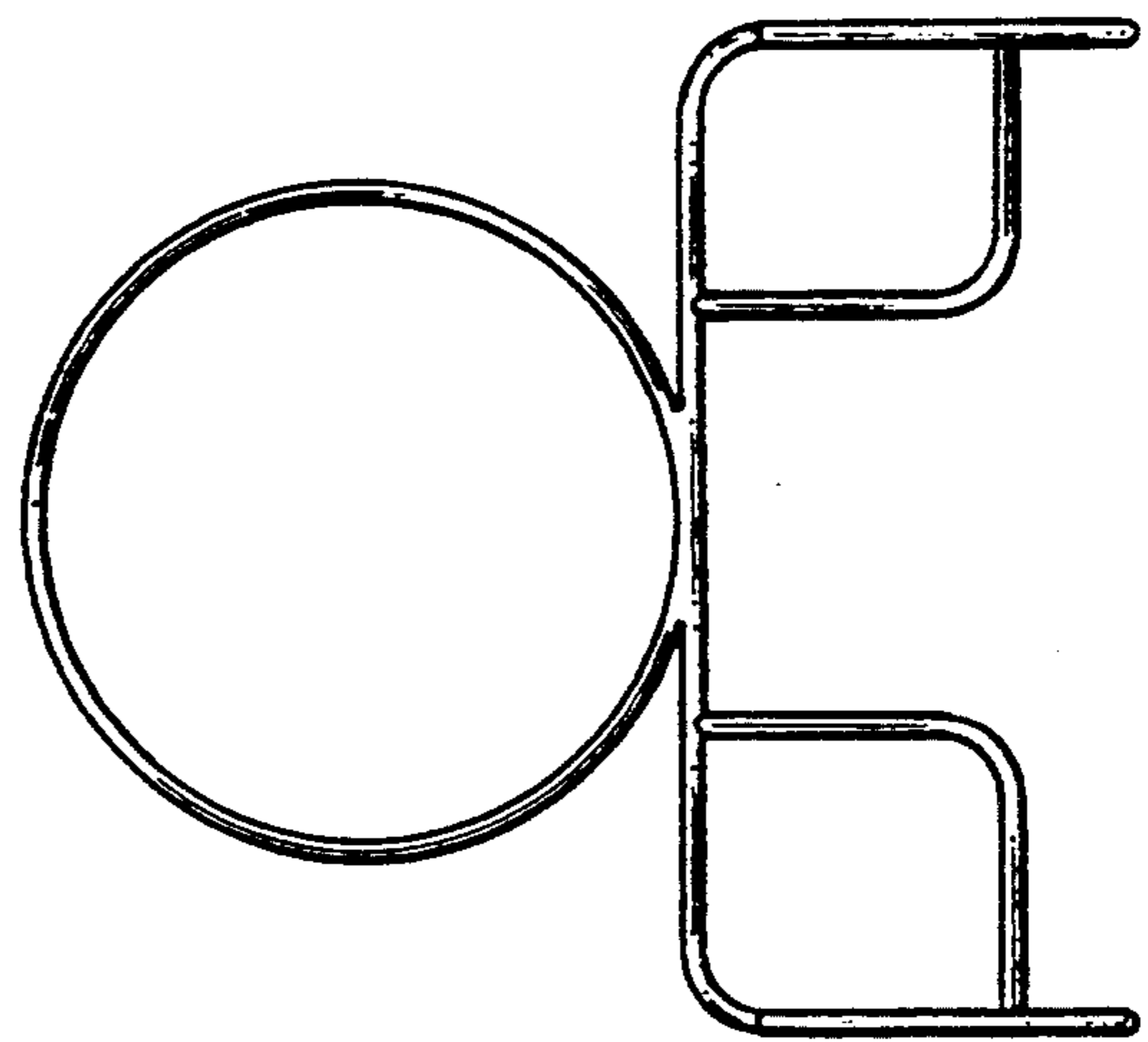
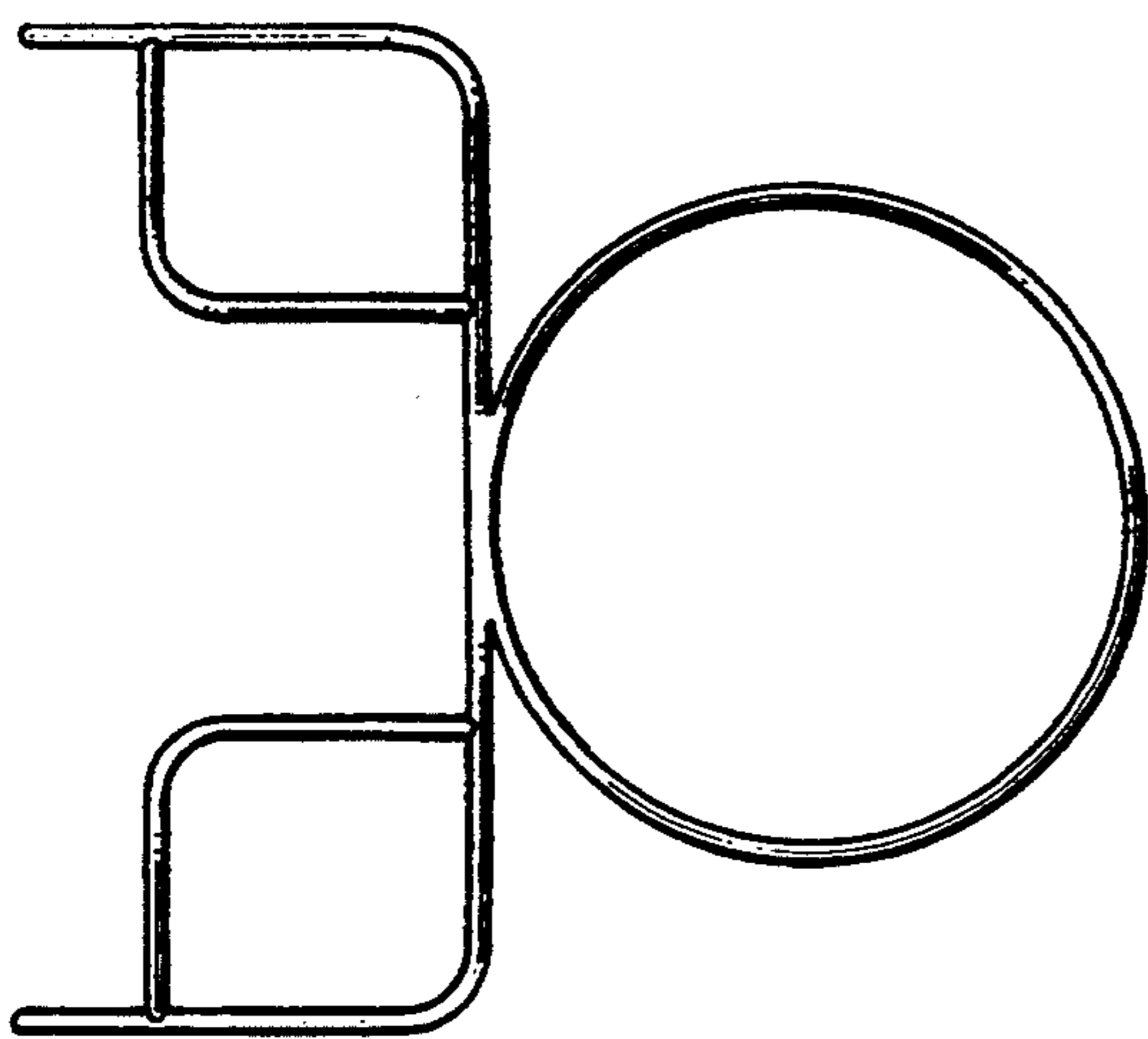


FIG. 4

FIG. 5

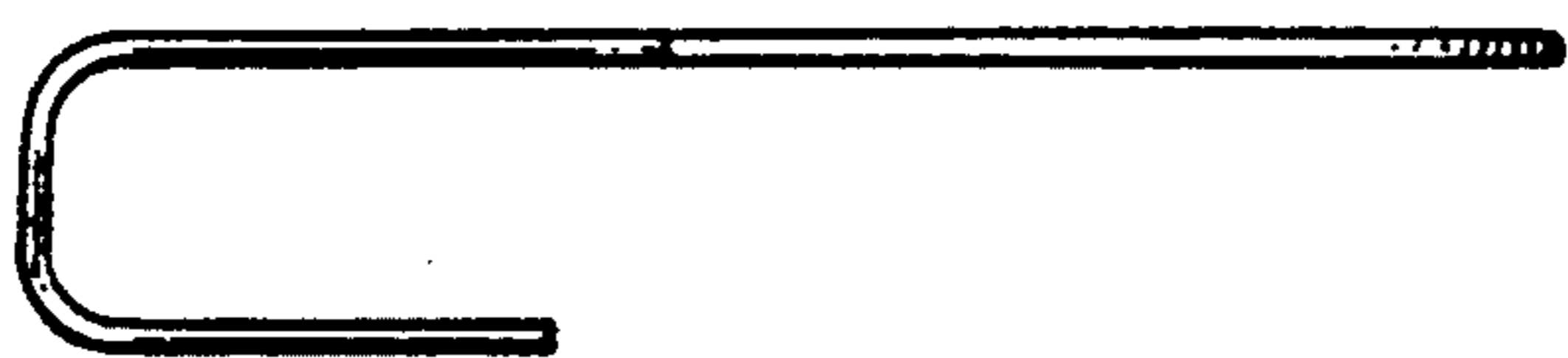


FIG. 6

FIG. 7

