



US00D354428S

# United States Patent [19]

Magnusson

[11] Patent Number: Des. 354,428

[45] Date of Patent: \*\* Jan. 17, 1995

[54] LOCK FOR SLIDING DOORS

[76] Inventor: **Claes Magnusson**, Vanadisvagen 43, S-113 23 Stockholm, Sweden

[\*\*] Term: **14 Years**

[21] Appl. No.: **11,224**

[22] Filed: **Jul. 30, 1993**

[52] U.S. Cl. .... **D8/331; D8/341**

[58] Field of Search ..... **D8/330-331, D8/339, 341; 70/77, 89-90, 95-98; 292/137, 191, 163, 166, 173-175, DIG. 46**

[56] **References Cited**

**U.S. PATENT DOCUMENTS**

- 1,192,449 7/1916 Ottinger ..... 292/191
- 2,964,344 12/1960 Rich ..... 292/175
- 3,612,592 10/1971 Reitzel ..... 292/175

- 4,752,091 6/1988 Jacskon ..... 292/191 X
- 4,995,649 2/1991 Magnusson ..... 292/175

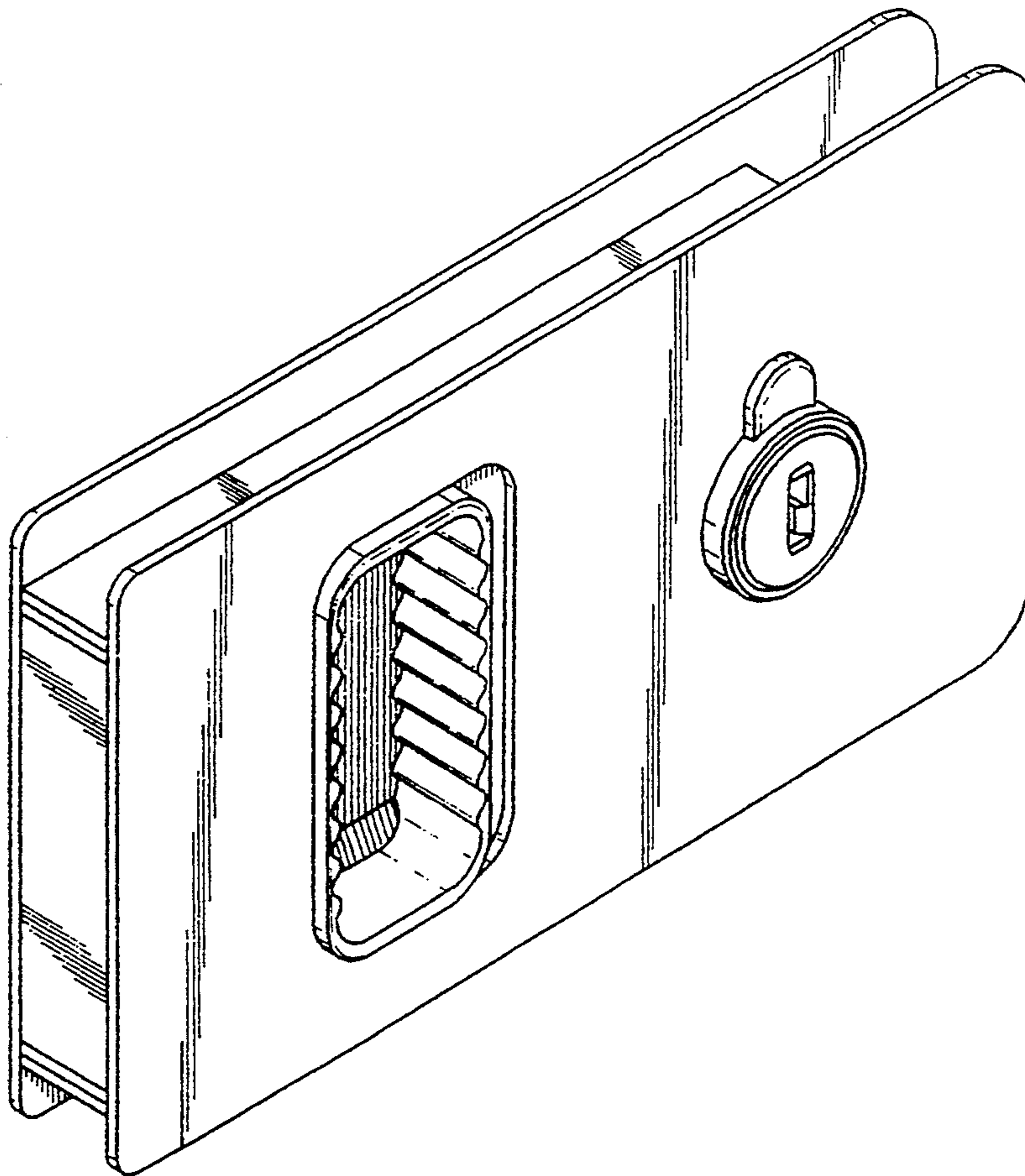
*Primary Examiner*—Brian N. Vinson  
*Attorney, Agent, or Firm*—Quarles & Brady

[57] **CLAIM**

The ornamental design for a lock for sliding doors, as shown and described.

**DESCRIPTION**

FIG. 1 is a top, front, and left side perspective view of a lock for sliding doors showing my new design;  
 FIG. 2 is a front elevational view thereof;  
 FIG. 3 is a top plan view thereof;  
 FIG. 4 is a rear elevational view thereof;  
 FIG. 5 is a bottom plan view thereof;  
 FIG. 6 is a left side elevational view thereof; and,  
 FIG. 7 is a right side elevational view thereof.



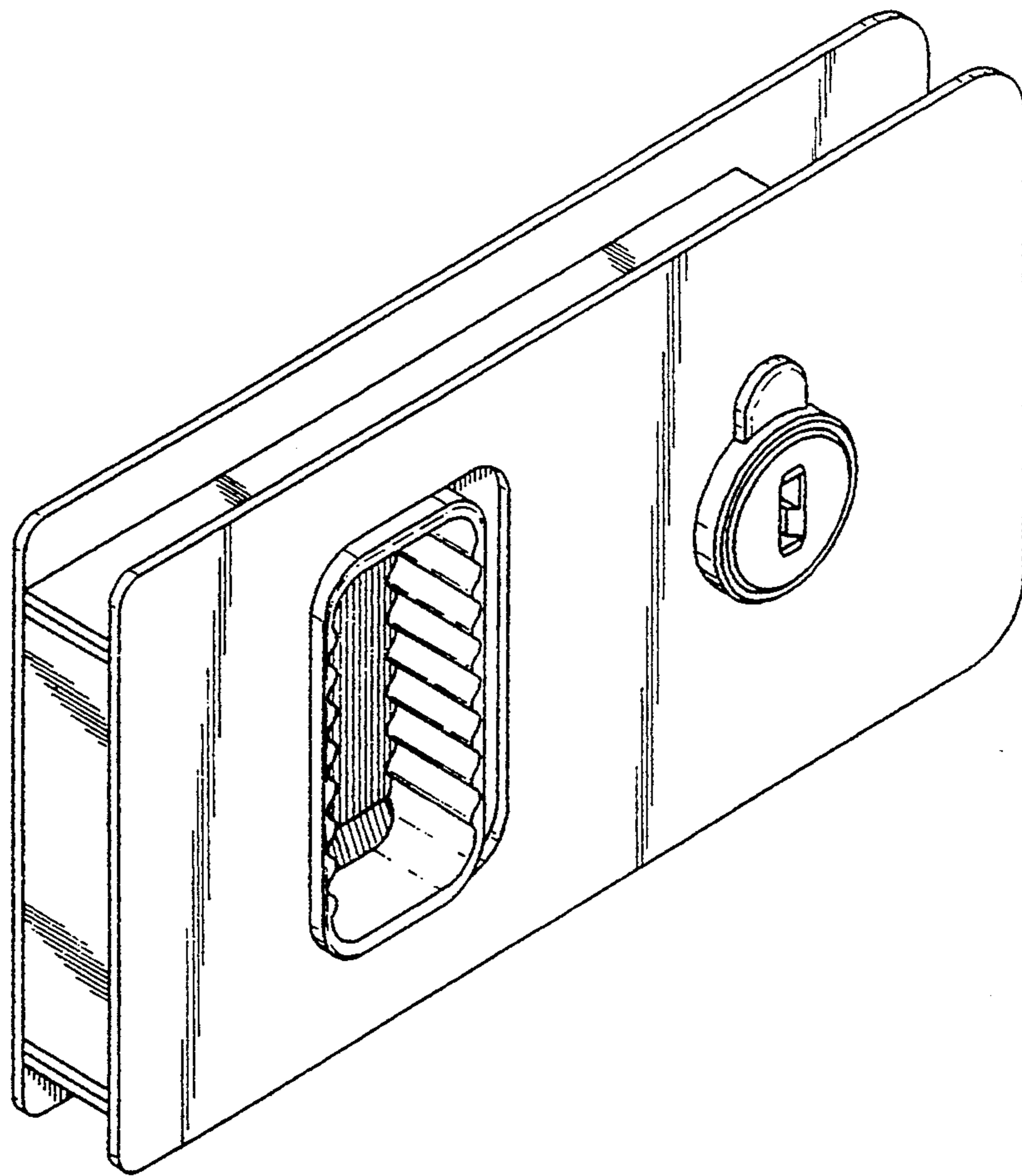


FIG. 1

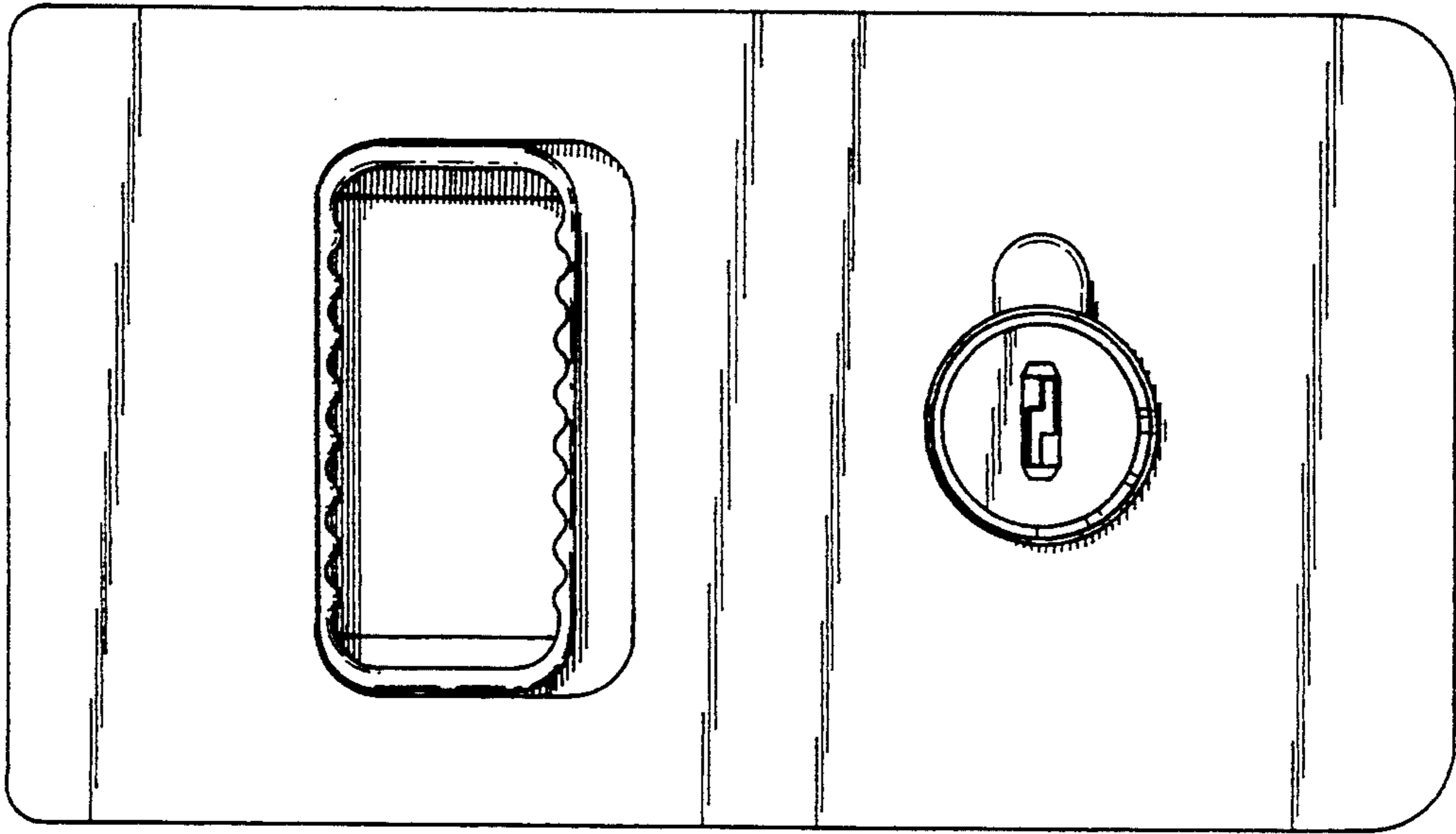


FIG. 2

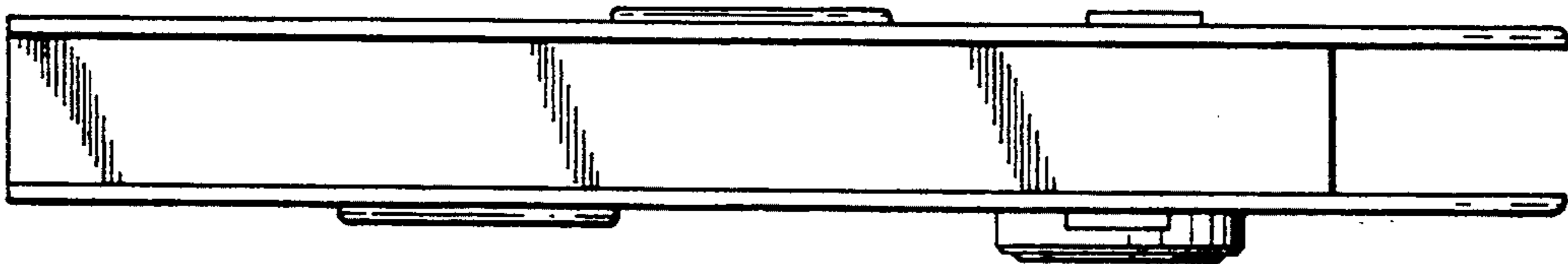


FIG. 3

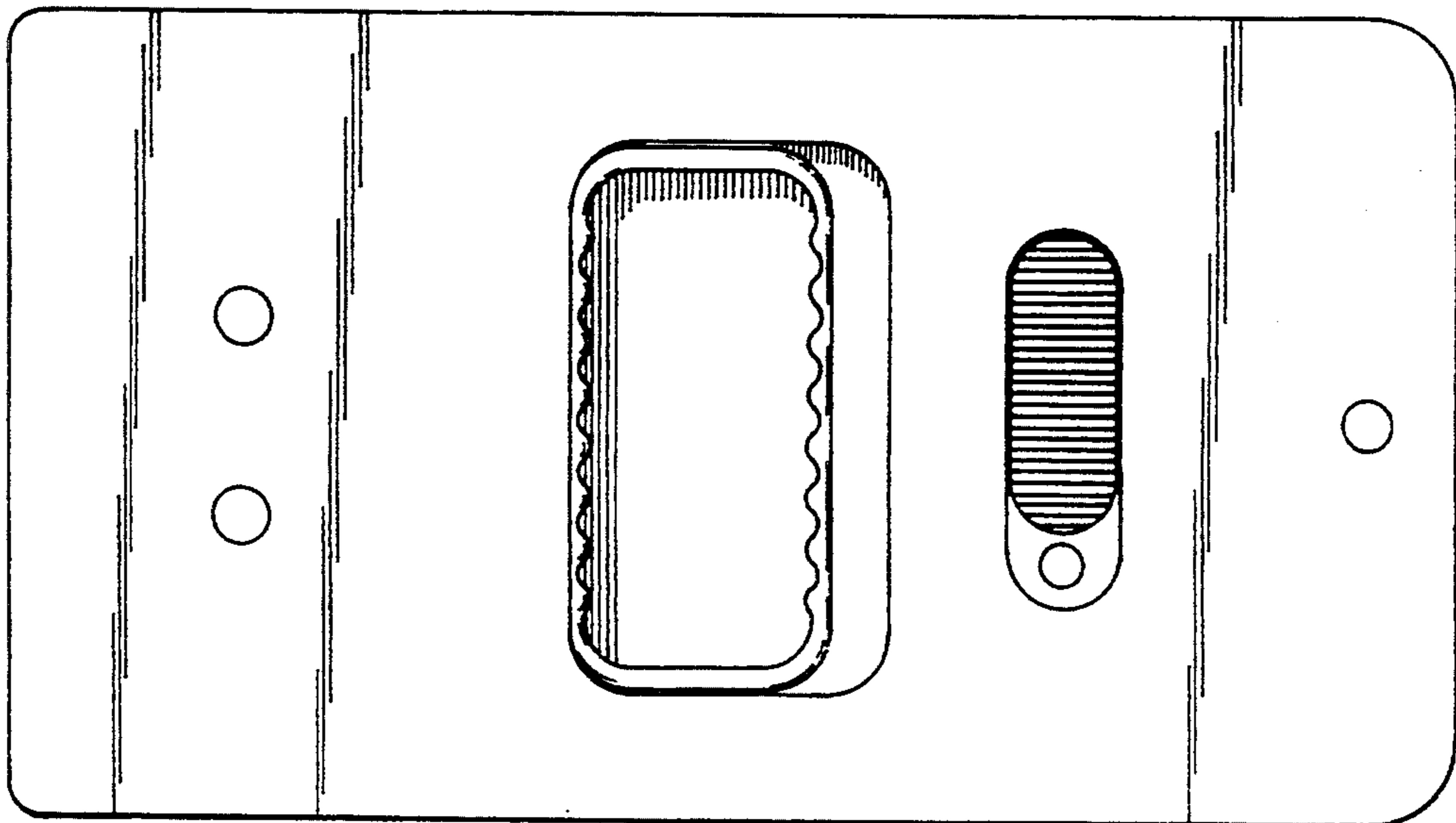


FIG. 4

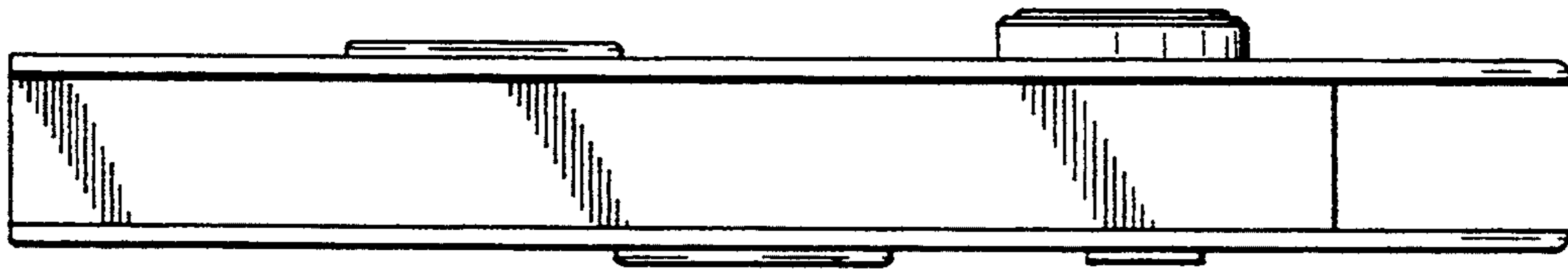


FIG. 5

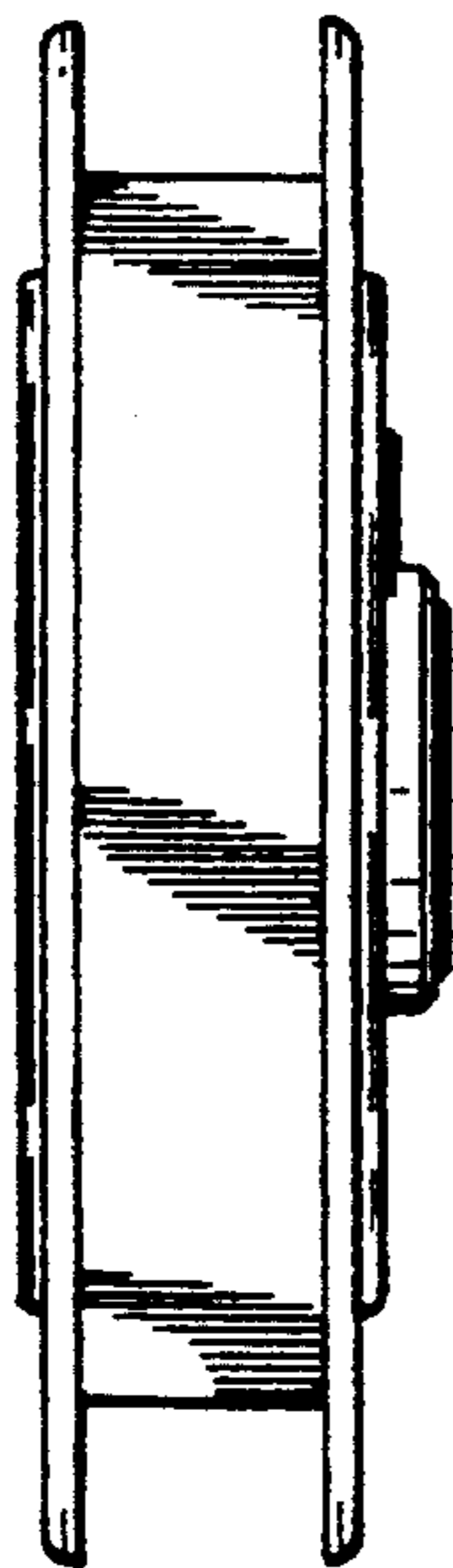


FIG. 6

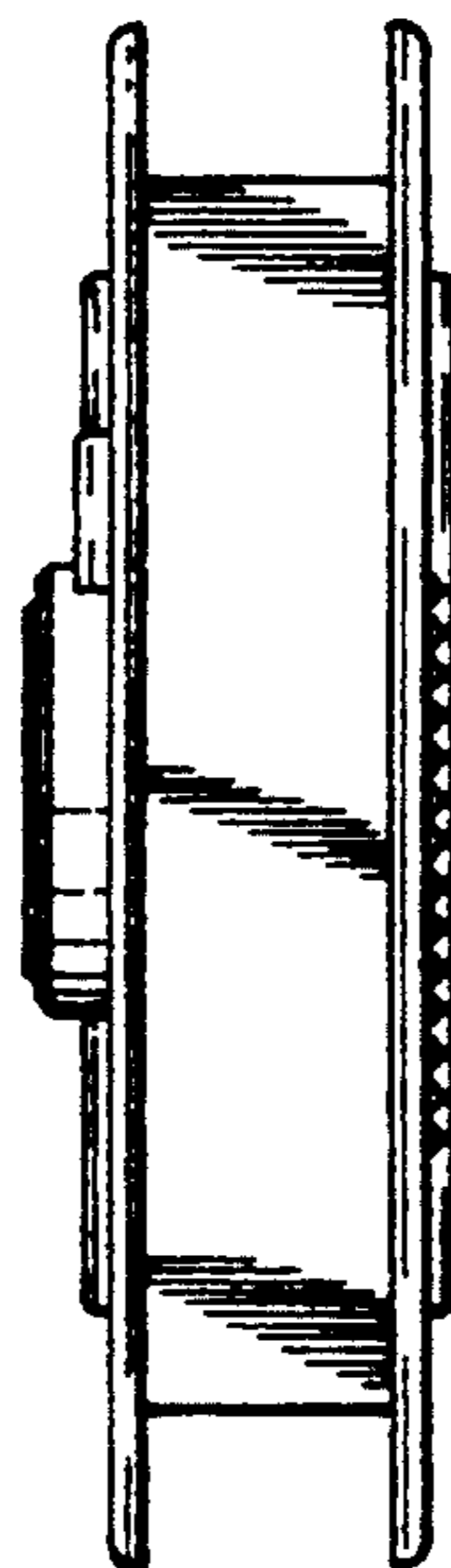


FIG. 7