



US00D354427S

# United States Patent [19]

[11] Patent Number: **Des. 354,427**

**Evenson**

[45] Date of Patent: **\*\* Jan. 17, 1995**

## [54] COMBINED SCISSORS AND LETTER OPENER

[75] Inventor: **Mel Evenson**, Rancho Palos Verdes, Calif.

[73] Assignee: **Rubbermaid Office Products Inc.**, Maryville, Tenn.

[\*\*] Term: **14 Years**

[21] Appl. No.: **9,134**

[22] Filed: **Jun. 3, 1993**

[52] U.S. Cl. .... **D8/104**

[58] Field of Search ..... **D8/57, 102, 103, 104; 30/151, 254; 206/349**

## [56] References Cited

### U.S. PATENT DOCUMENTS

D. 102,995	1/1937	Stewart	.....	D8/102
D. 141,084	5/1945	Madan	.....	D8/102
D. 141,875	7/1945	Goldbert	.....	D8/102
D. 147,593	9/1947	Lipic	.....	D8/102
D. 179,223	11/1956	Schwartz	.....	D8/102
D. 181,421	11/1957	Milne	.....	D8/102
D. 205,589	8/1966	Laughlin	.....	D22/5
D. 230,563	3/1974	Stahel	.....	D8/102
D. 234,058	1/1975	Stahel	.....	D8/57
D. 247,606	3/1978	Breger	.....	D8/57
D. 256,548	8/1980	Grunstad	.....	D8/102
D. 259,794	7/1981	Henkels	.....	D19/75
D. 279,076	6/1985	Hayashi	.....	D8/102
D. 292,867	11/1987	Holterscheidt	.....	D8/102
D. 302,784	8/1989	Nakahuma	.....	D8/57
D. 305,976	2/1990	Holterscheidt	.....	D8/104
D. 310,015	8/1990	Evenson	.....	D8/102
D. 313,157	12/1990	Evenson	.....	D8/104
2,491,307	12/1949	Fulton	.....	120/8
2,528,059	10/1950	Kendrick	.....	30/151
4,081,907	4/1978	Bosshold	.....	30/294
4,714,159	12/1987	Linden	.....	206/349

### FOREIGN PATENT DOCUMENTS

538524	6/1922	France	.....	30/151
--------	--------	--------	-------	--------

## OTHER PUBLICATIONS

Gifts & Decorative Accessories, Dec. 1984 p. 134 (Scissor/Letter Opener, at the bottom right of the page).

*Primary Examiner*—Melvin B. Feifer

*Assistant Examiner*—Adir Aronovich

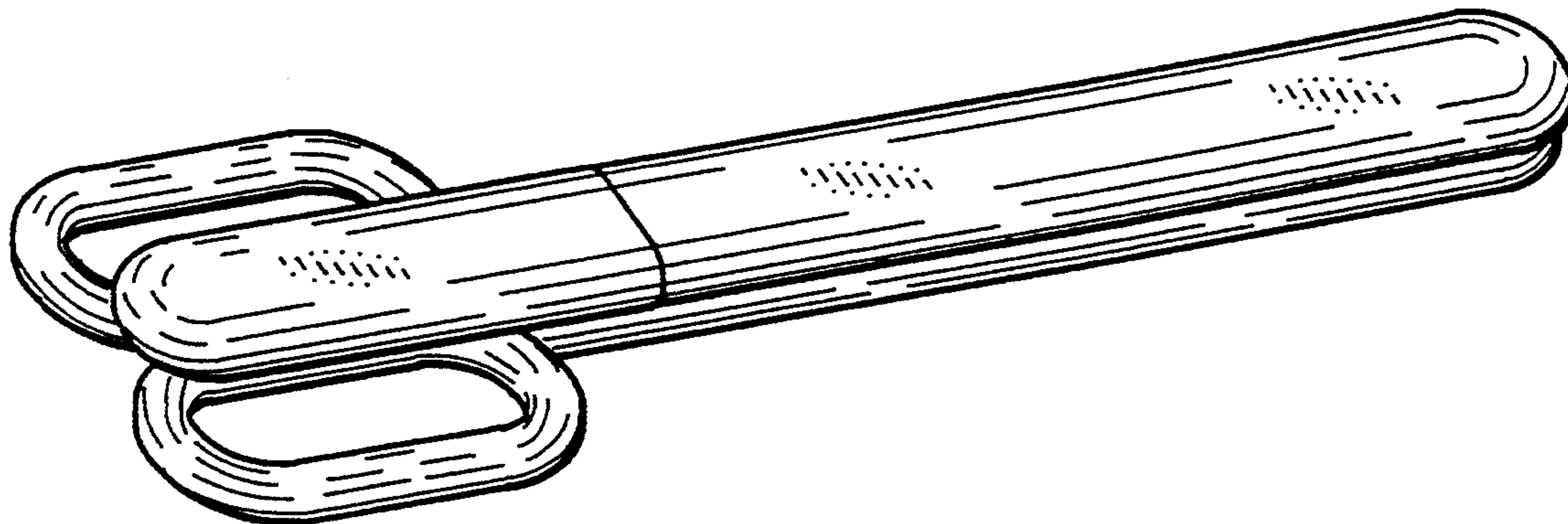
*Attorney, Agent, or Firm*—Richard B. O'Planick; Lisa B. Riedesel

## [57] CLAIM

The ornamental design for a combined scissors and letter opener, as shown and described.

## DESCRIPTION

FIG. 1 is a top plan view of a combined scissors and letter opener showing my new design; FIG. 2 is a bottom plan view thereof; FIG. 3 is a front elevational view thereof; the rear elevational view being a mirror image; FIG. 4 is a left side elevational view thereof; FIG. 5 is a right side elevational view thereof; FIG. 6 is a top plan view showing the scissors component thereof for clarity of illustration; FIG. 7 is a front elevational view of FIG. 6; the rear elevational view being a mirror image; FIG. 8 is a left side elevational view of FIG. 6; FIG. 9 is a right side elevational view of FIG. 6; FIG. 10 is a top plan view showing the letter opener component thereof for clarity of illustration; FIG. 11 is a front elevational view of FIG. 10; the rear elevational view being a mirror image; FIG. 12 is a left side elevational view of FIG. 10; FIG. 13 is a right side elevational view of FIG. 10; FIG. 14 is a top plan view showing the case in which the scissors component and letter opener component for clarity of illustration; FIG. 15 is a bottom plan view of FIG. 14; FIG. 16 is a front elevational view of FIG. 14; the rear elevational view being a mirror image; FIG. 17 is a left side elevational view of FIG. 14; FIG. 18 is a right side elevational view of FIG. 14; FIG. 19 is a top left front perspective of FIG. 1; FIG. 20 is a perspective view of the letter opener component of the combined scissors and letter opener; FIG. 21 is a perspective view of the case component thereof; and, FIG. 22 is a perspective view of the scissors component thereof.



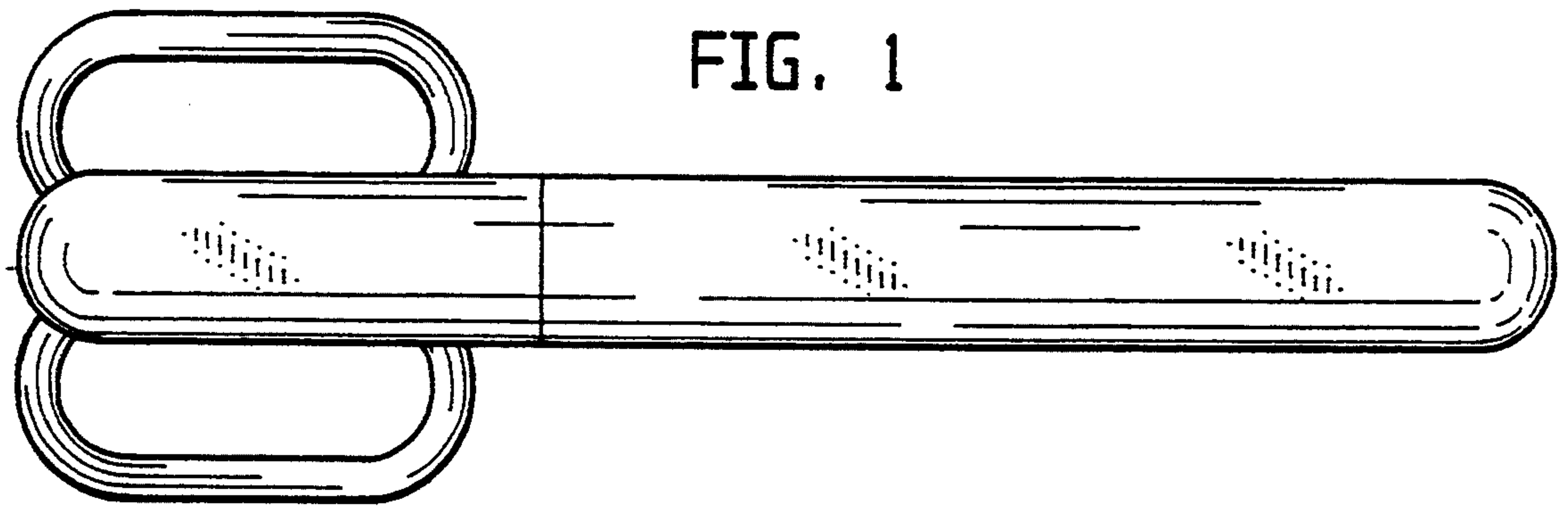


FIG. 1

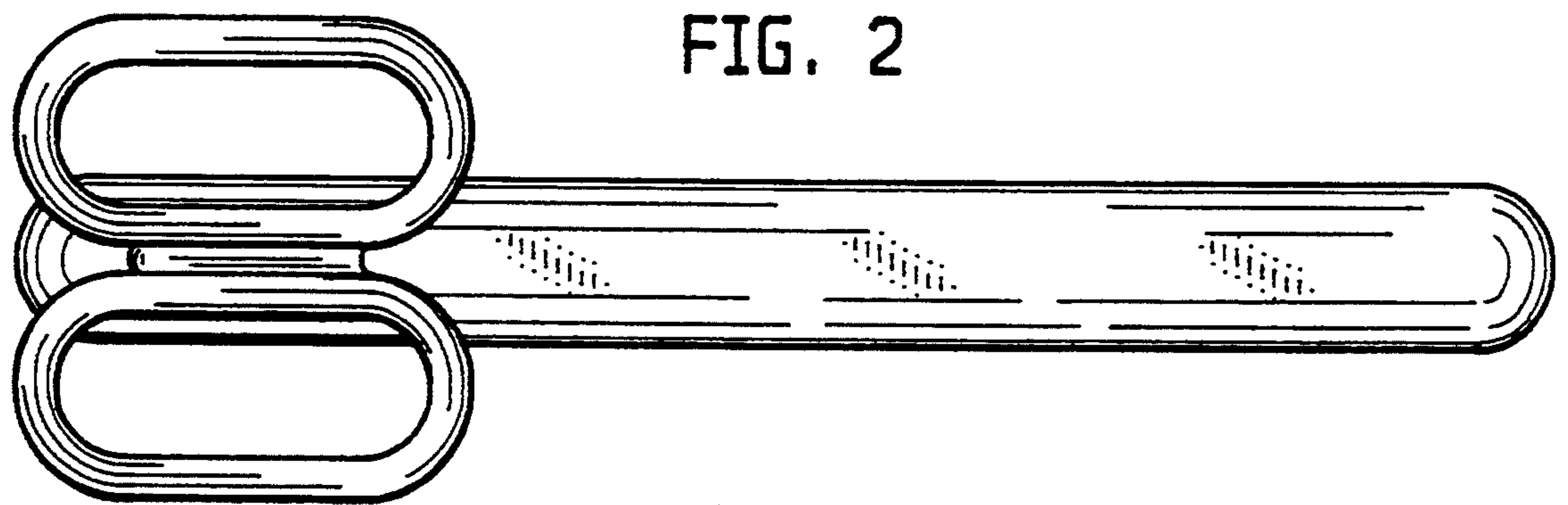


FIG. 2

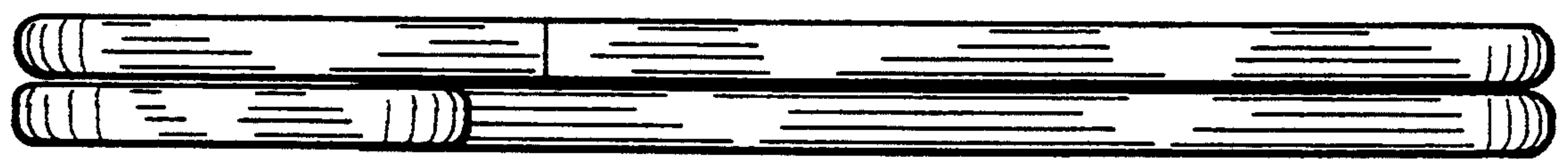


FIG. 3

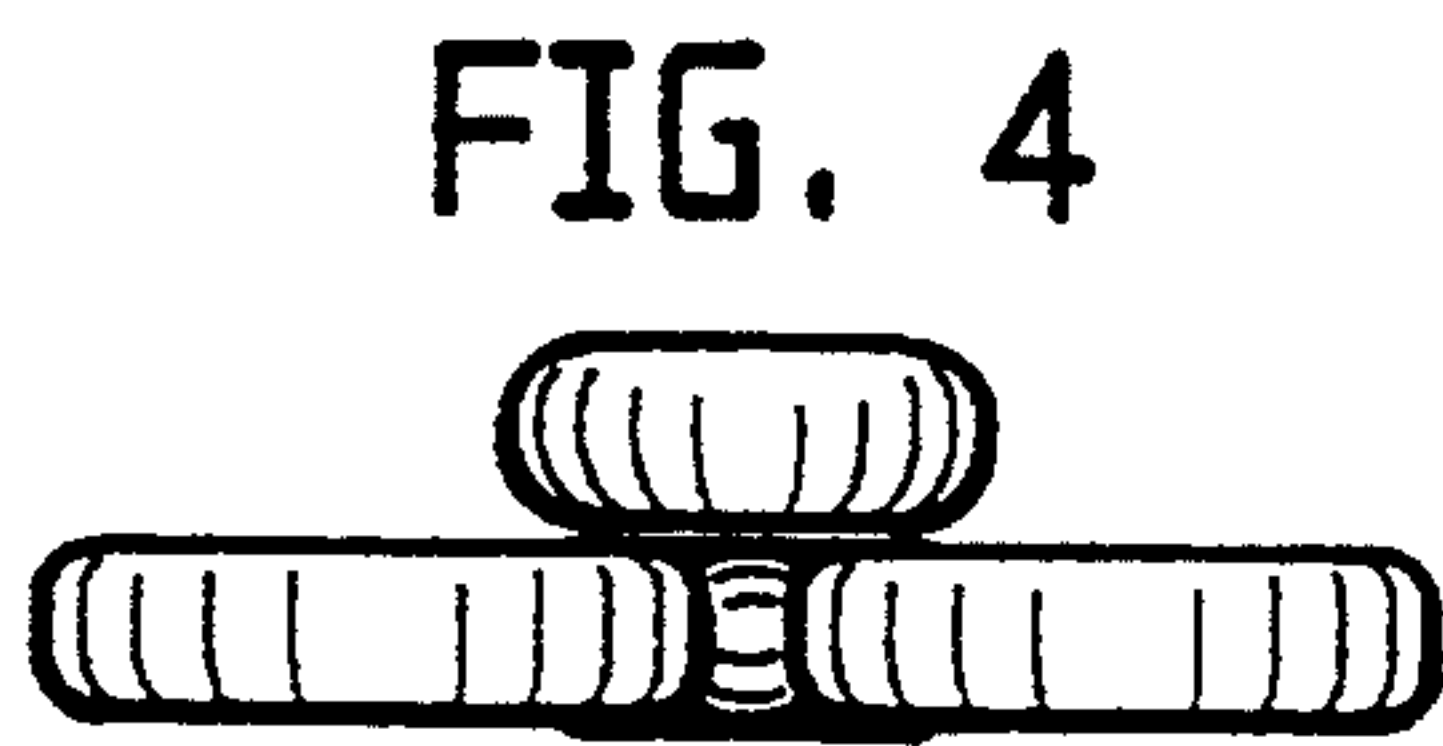


FIG. 4

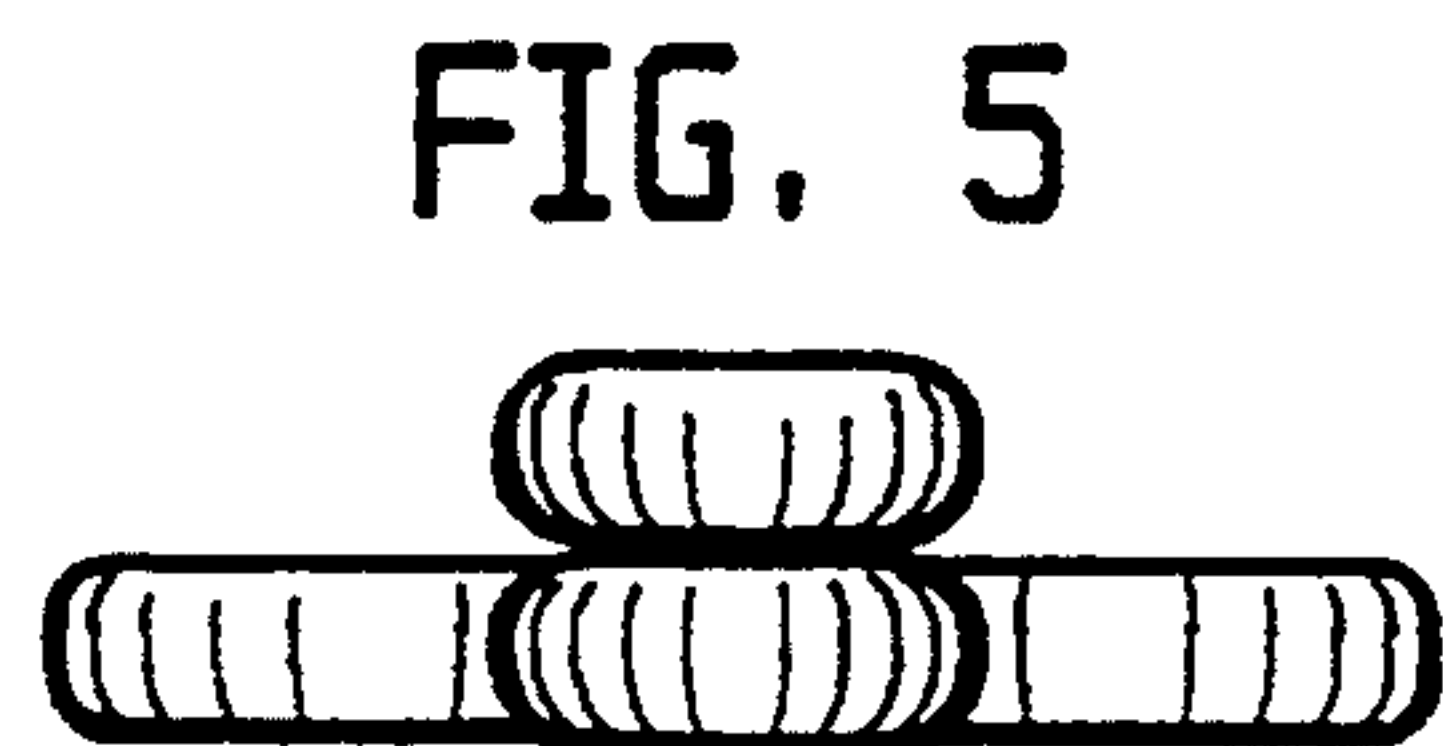


FIG. 5

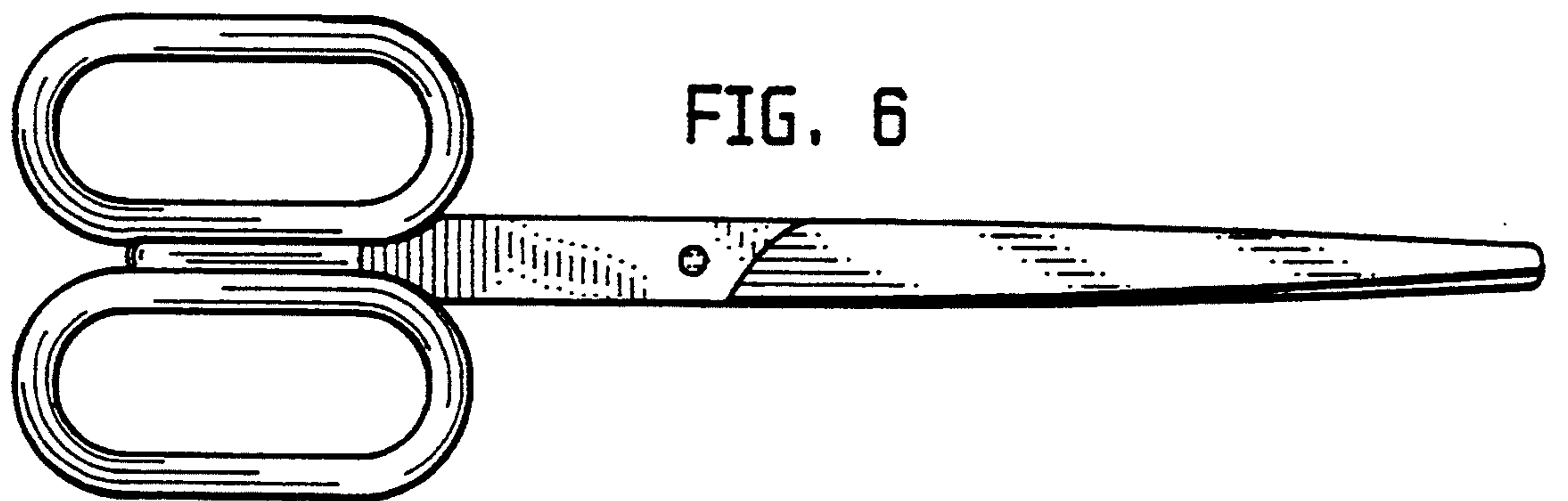


FIG. 6



FIG. 7



FIG. 8



FIG. 9



FIG. 10

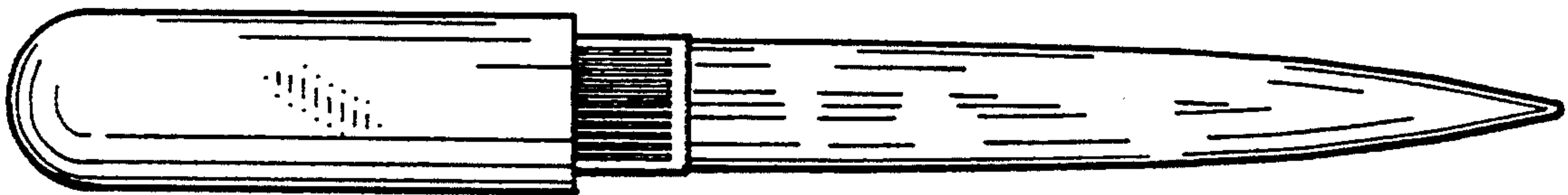


FIG. 11



FIG. 12



FIG. 13



FIG. 14

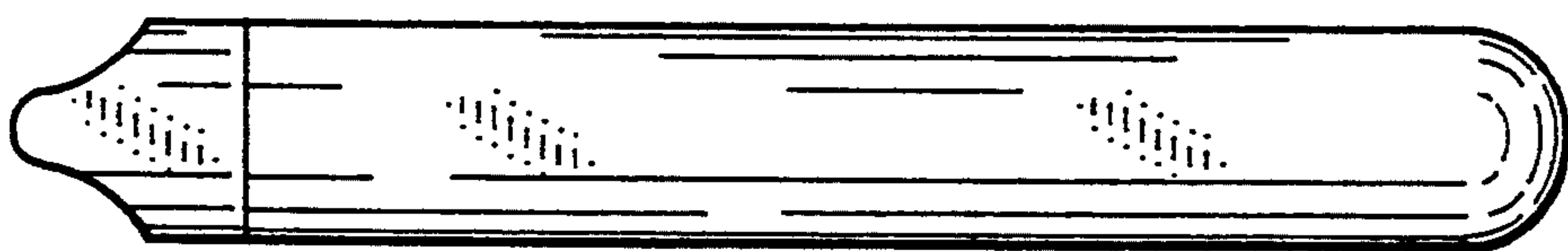


FIG. 15

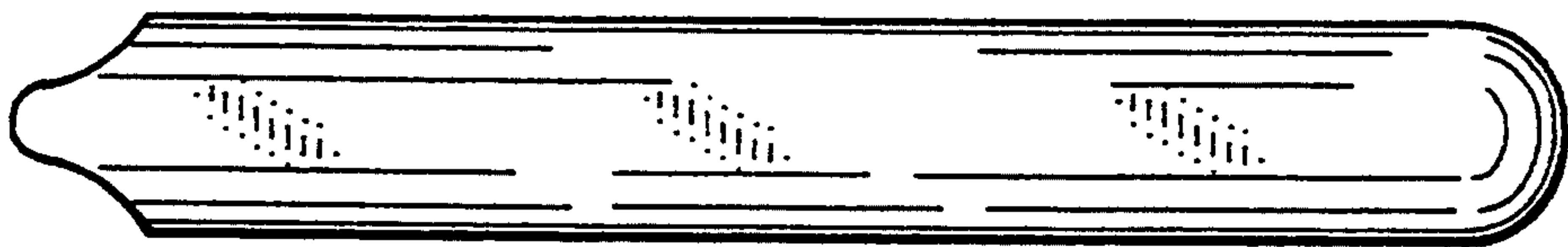


FIG. 16

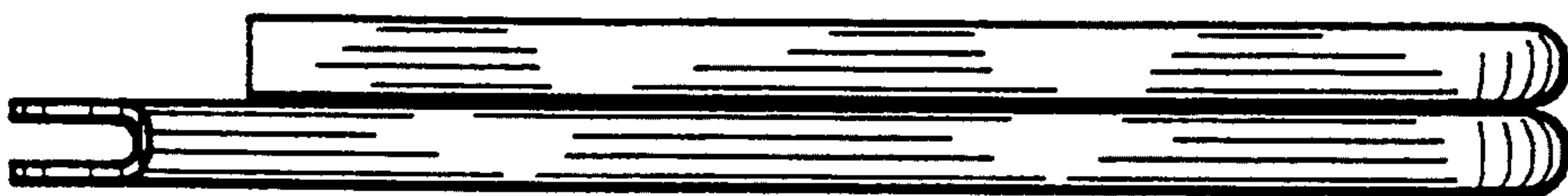


FIG. 17



FIG. 18



FIG. 19

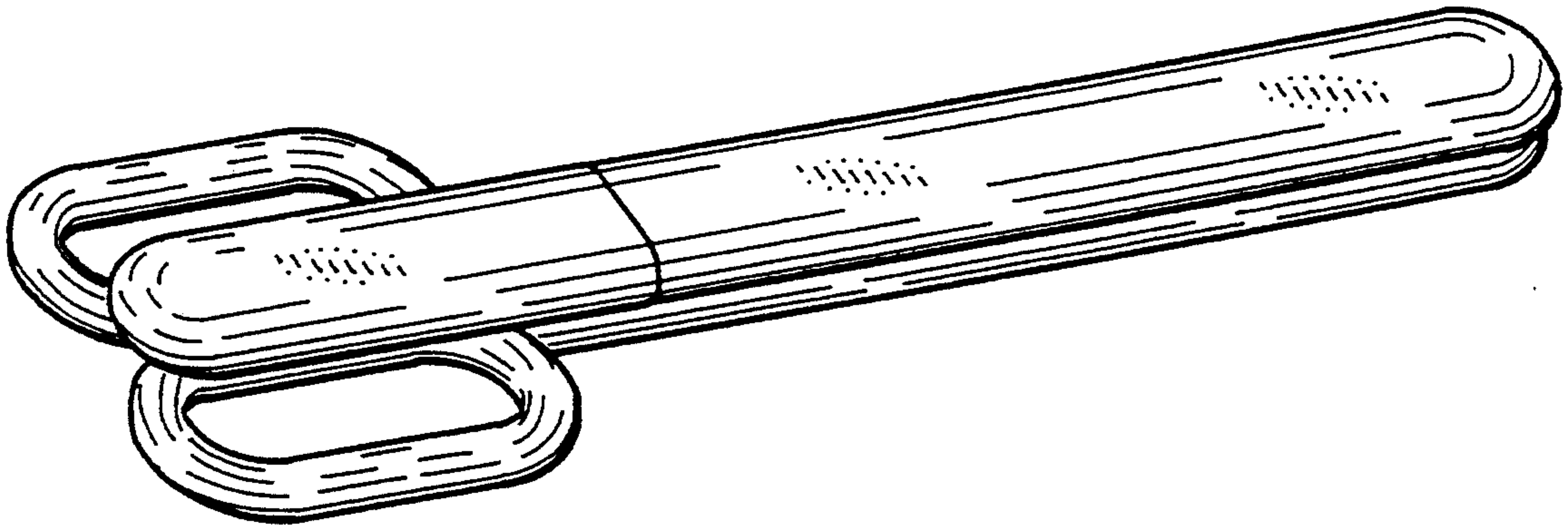


FIG. 20

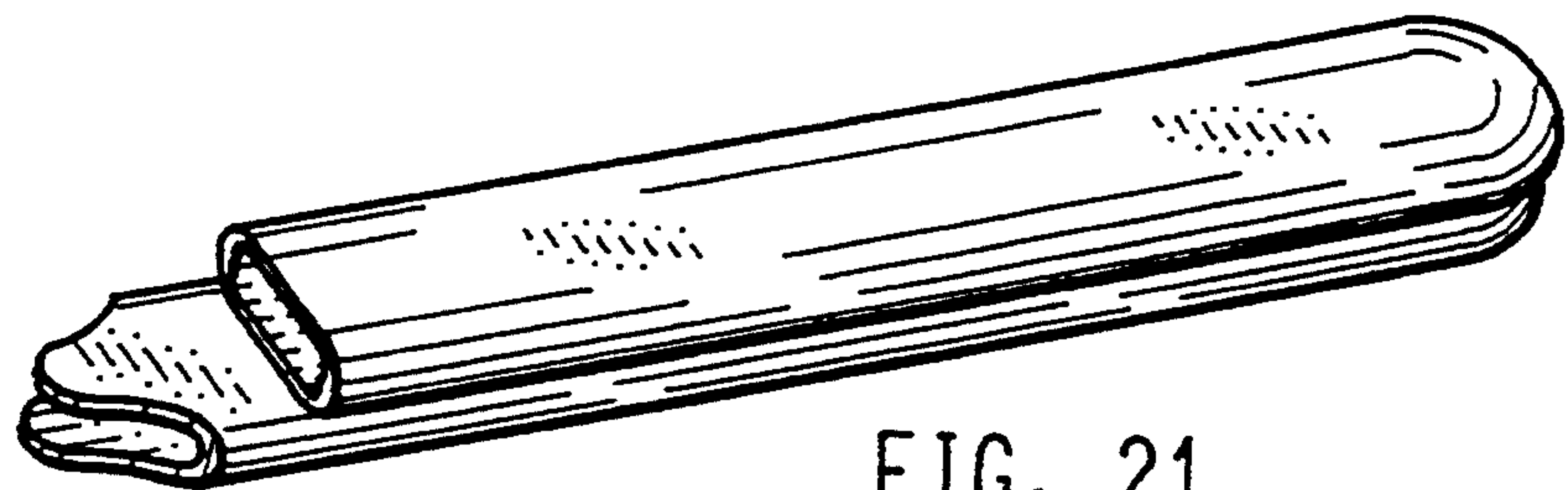
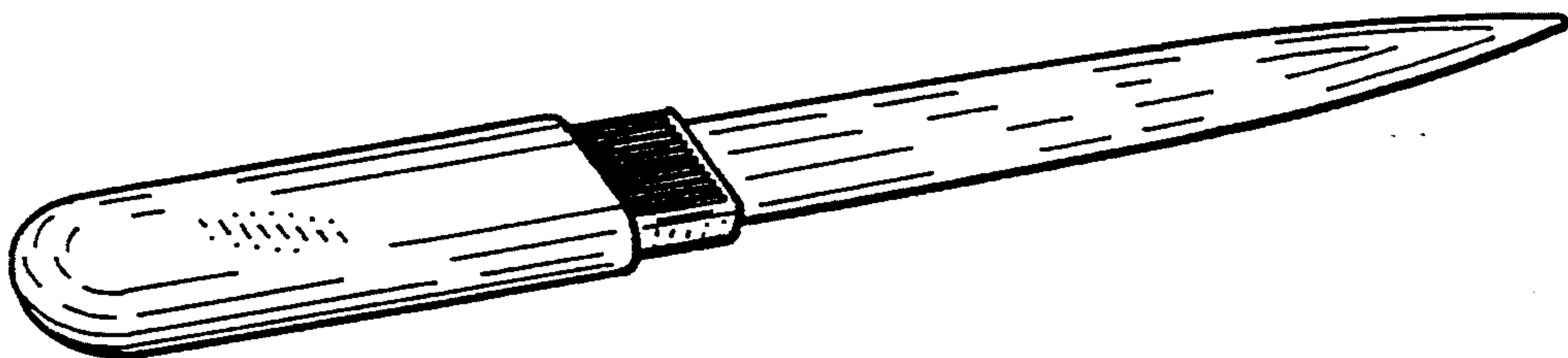


FIG. 21

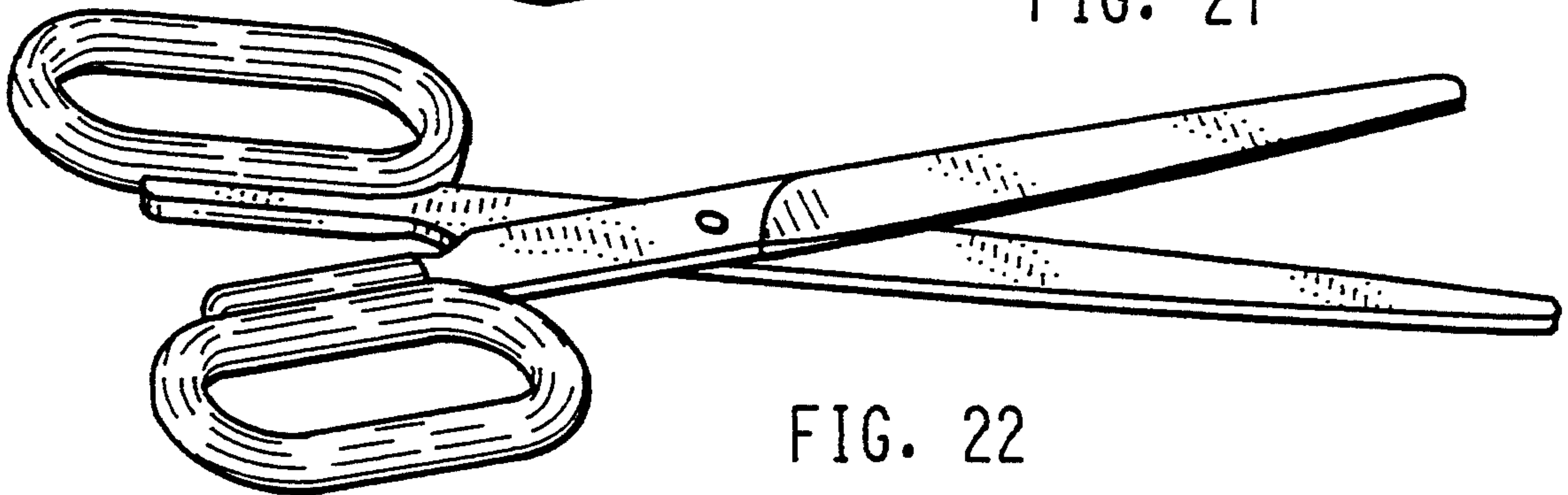


FIG. 22