



US00D354425S

United States Patent [19]

Izumisawa

[11] Patent Number: **Des. 354,425**

[45] Date of Patent: *** Jan. 17, 1995**

- [54] WET DUAL ACTION SANDER
- [75] Inventor: Nobuyuki Izumisawa, Tokyo, Japan
- [73] Assignee: Shinano, Inc., Japan
- [*] Notice: The portion of the term of this patent subsequent to Dec. 13, 2008 has been disclaimed.
- [**] Term: 14 Years
- [21] Appl. No.: 7,919
- [22] Filed: May 4, 1993
- [52] U.S. Cl. D8/62
- [58] Field of Search D8/62; 51/170, 170 R, 51/170 MT, 170 TL

[56] References Cited

U.S. PATENT DOCUMENTS

D. 334,126	3/1993	Huber et al.	D8/62
4,058,936	11/1977	Marton	51/170 T
4,660,329	4/1987	Hutchins	51/170 MT
4,671,020	6/1987	Hutchins	51/170 MT

OTHER PUBLICATIONS

- Quick Reference Catalogue*, Universal Power Tools, publication date unknown.
- Astro World*, Astro Pneumatic Tool Company, p. 12, No. 6, Nov., 1992.
- Astro Power TM*, Astro Pneumatic Tool Company, p. 24, publication date unknown.
- Automotive Air Tools*, Chicago Pneumatic, pp. 31, 36, Mar. 1990.
- Automotive Finishing Systems Catalog*, Dynabrade TM, pp. 4-8, 12, 15, 1992.

- Air Tools*, Florida Pneumatic, p. 12, publication date unknown.
- High Performance Pneumatic Sanders And Accessories*, Hutchins, pp. 2-5, 7, publication date unknown.
- Automotive Power Tools*, Ingersoll-Rand ®, pp. 31-32, 1992.
- Tools For The World Class Technician TM*, Mac Tools, Inc., p. 178, publication date unknown.
- Tool And Equipment Catalog*, Matco Tools, pp. 168, 174, 1992-1993.
- Automotive Professional Tools And Equipment*, Sioux Tools, Inc., pp. 6-7, Catalog No. 90 A, publication date unknown.
- Automotive Tools & Equipment*, Sunex International, p. 17, 1990-1991.
- Quick Reference Catalogue*, Rodac Pneumatic Tools, publication date unknown.

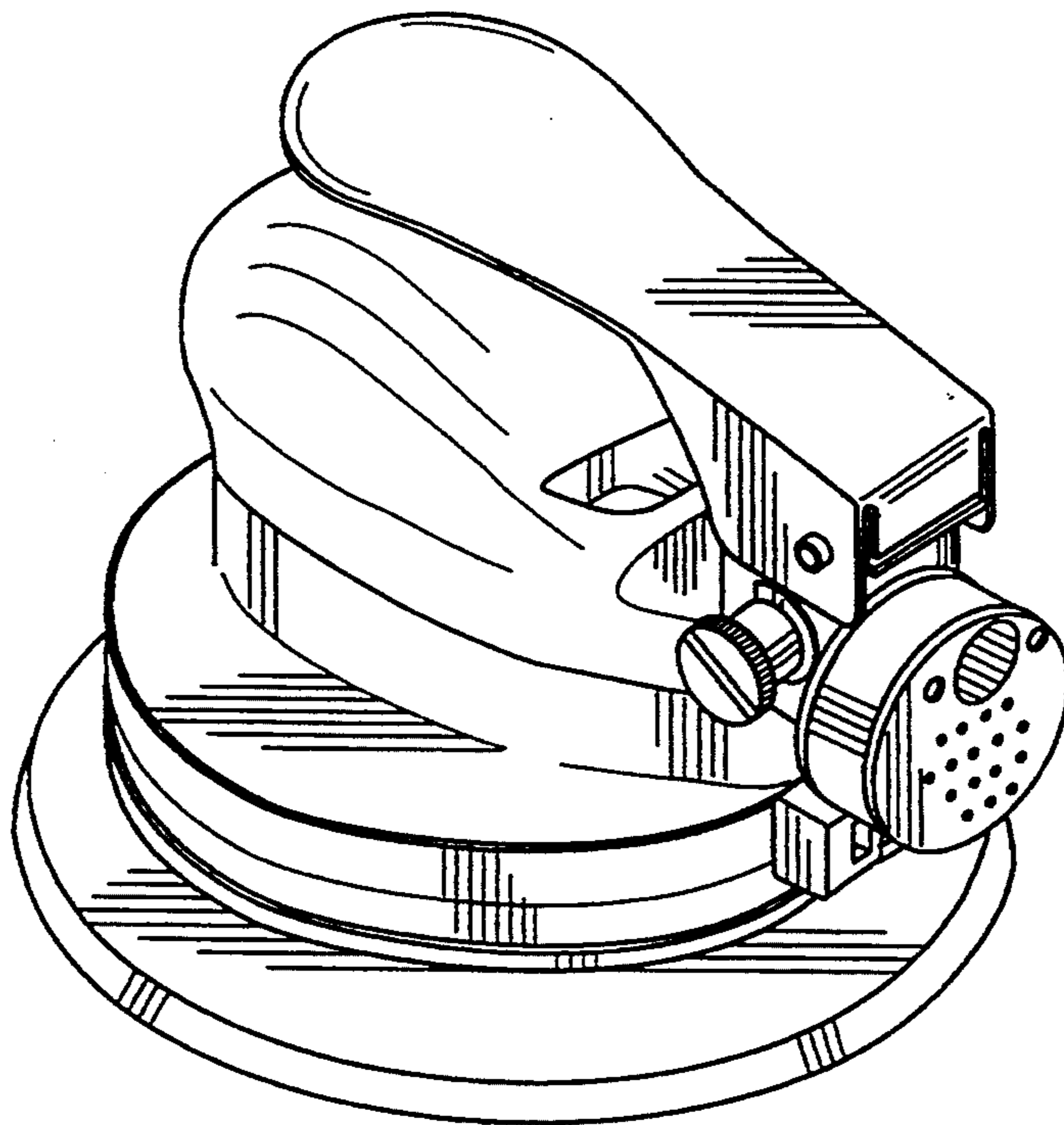
Primary Examiner—Alan P. Douglas
Assistant Examiner—J. H. Musgrove
Attorney, Agent, or Firm—Greer, Burns & Crain, Ltd.

[57] CLAIM

The ornamental design for a wet dual action sander, as shown and described.

DESCRIPTION

FIG. 1 is perspective view of the wet dual action sander showing my new design;
 FIG. 2 is a top view thereof;
 FIG. 3 is a right side view thereof;
 FIG. 4 is a bottom view thereof;
 FIG. 5 is a left side view thereof;
 FIG. 6 is a rear view thereof; and,
 FIG. 7 is a front view thereof.



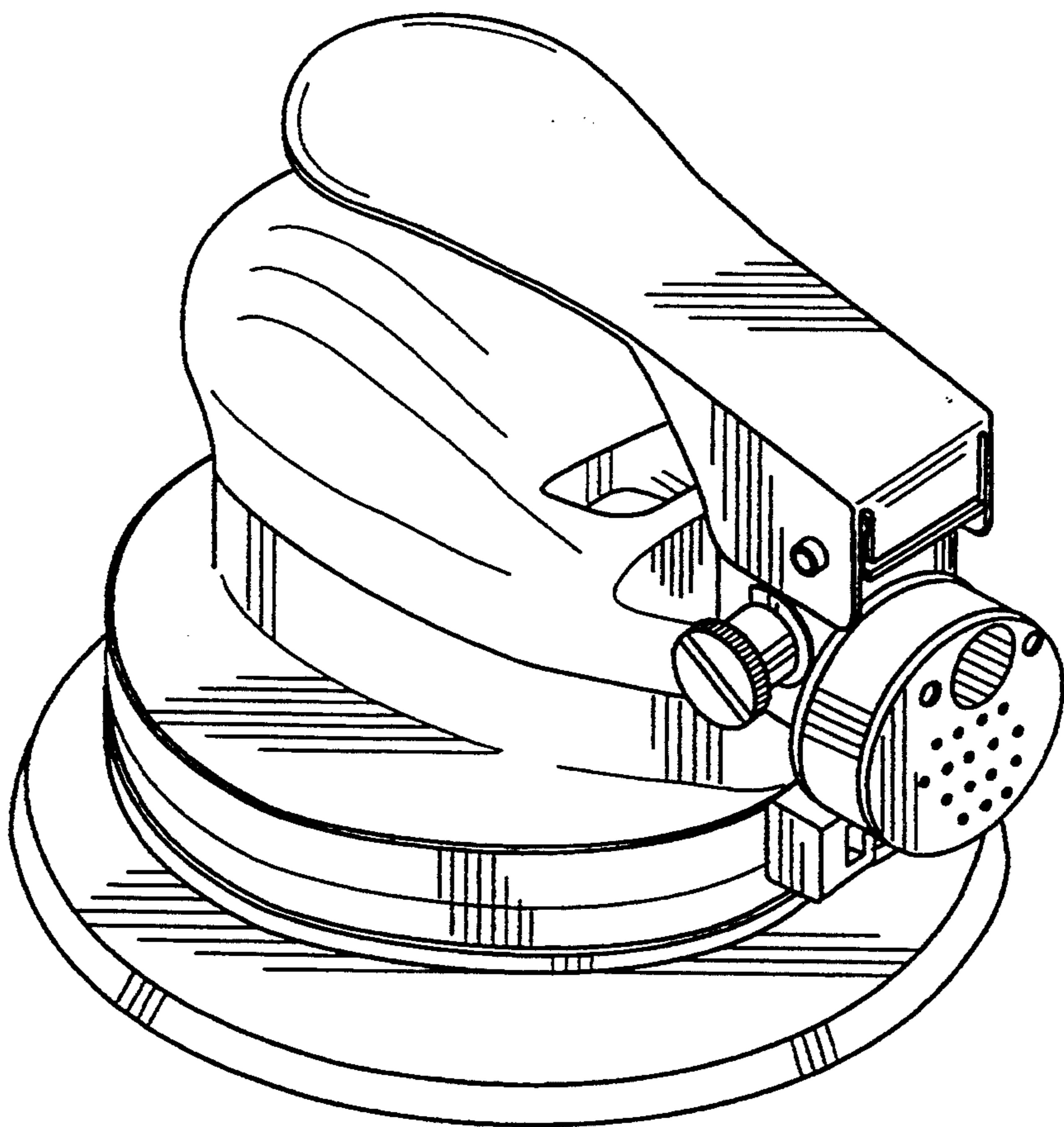


FIGURE 1

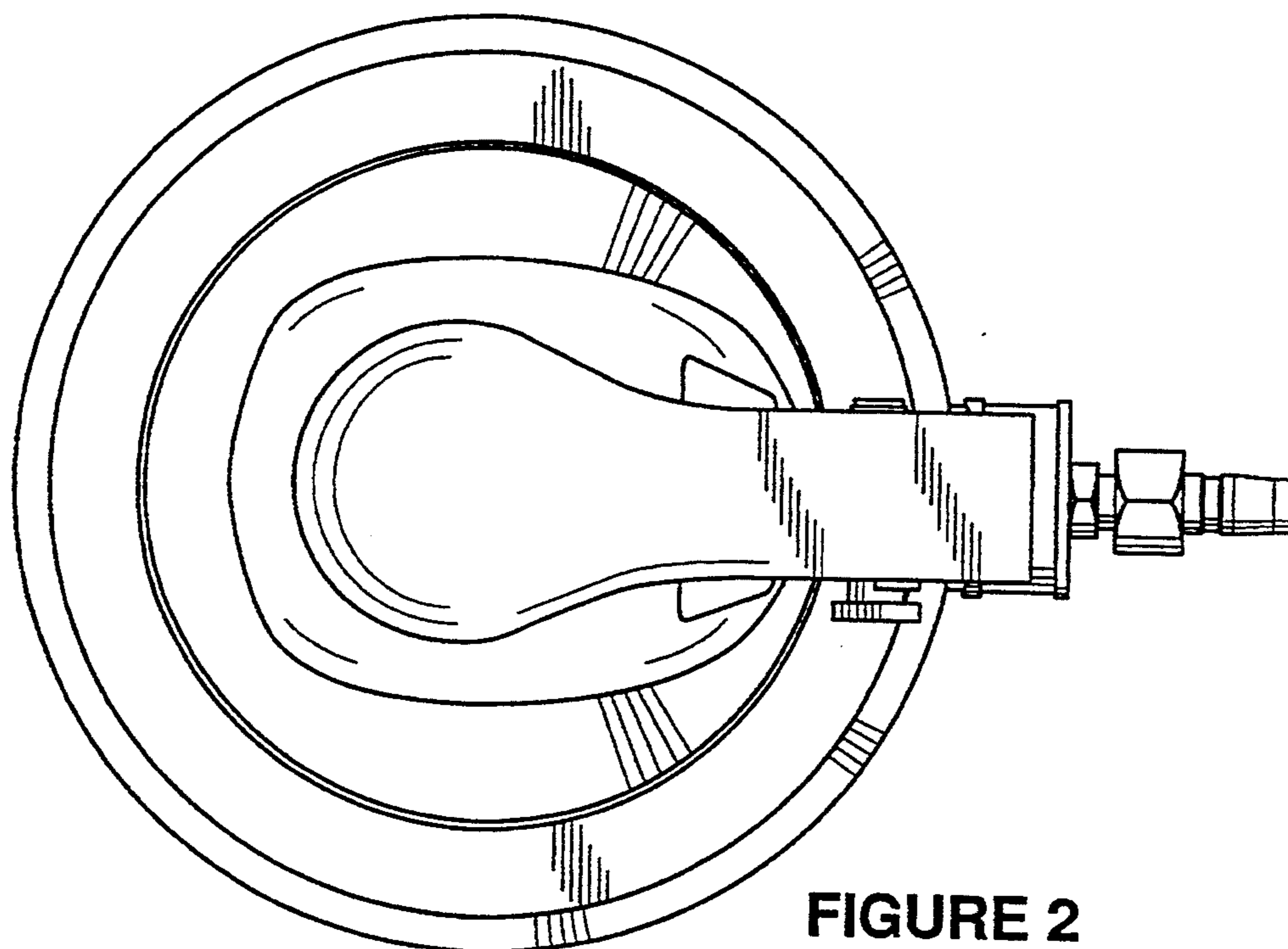


FIGURE 2

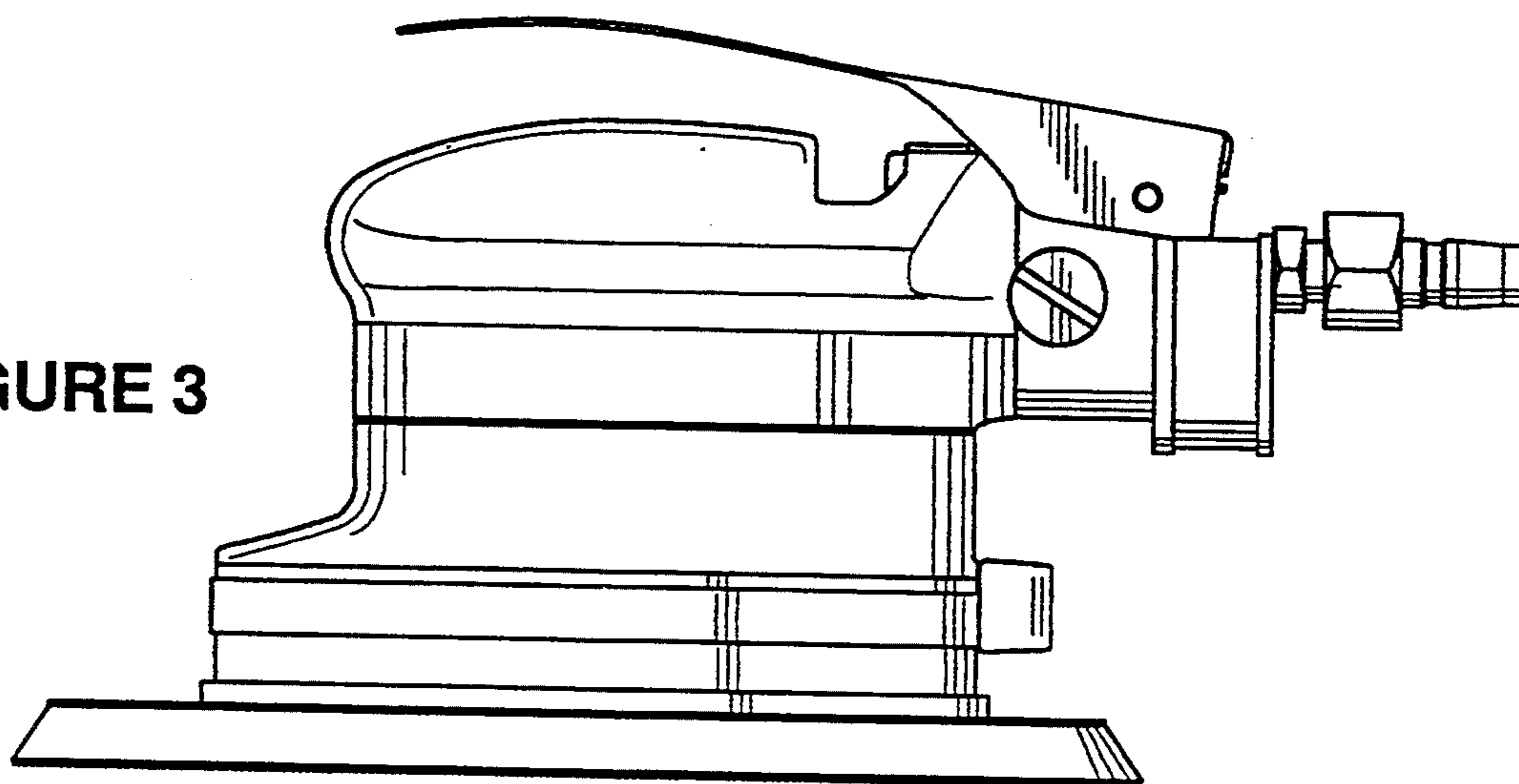


FIGURE 3

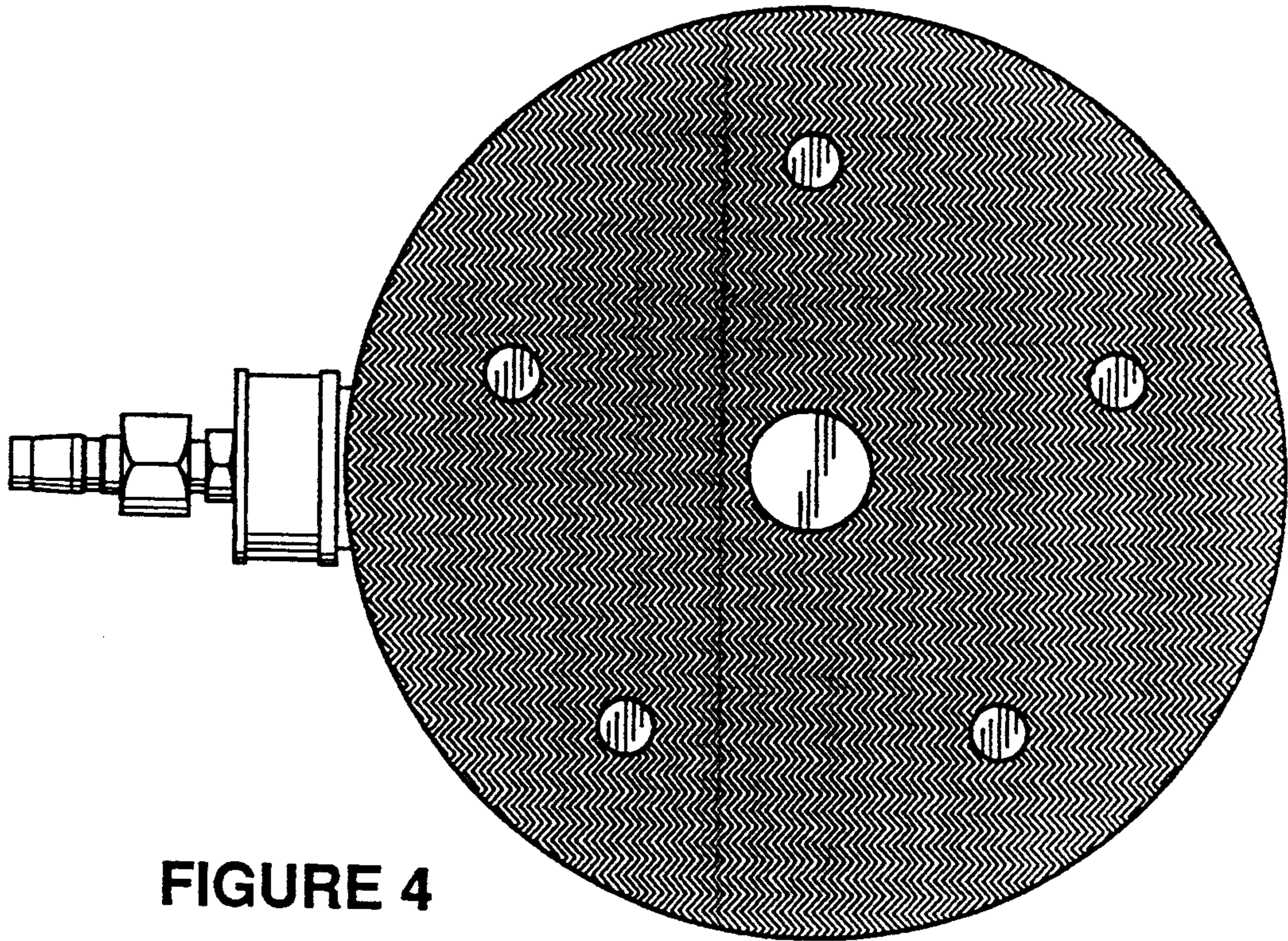


FIGURE 4

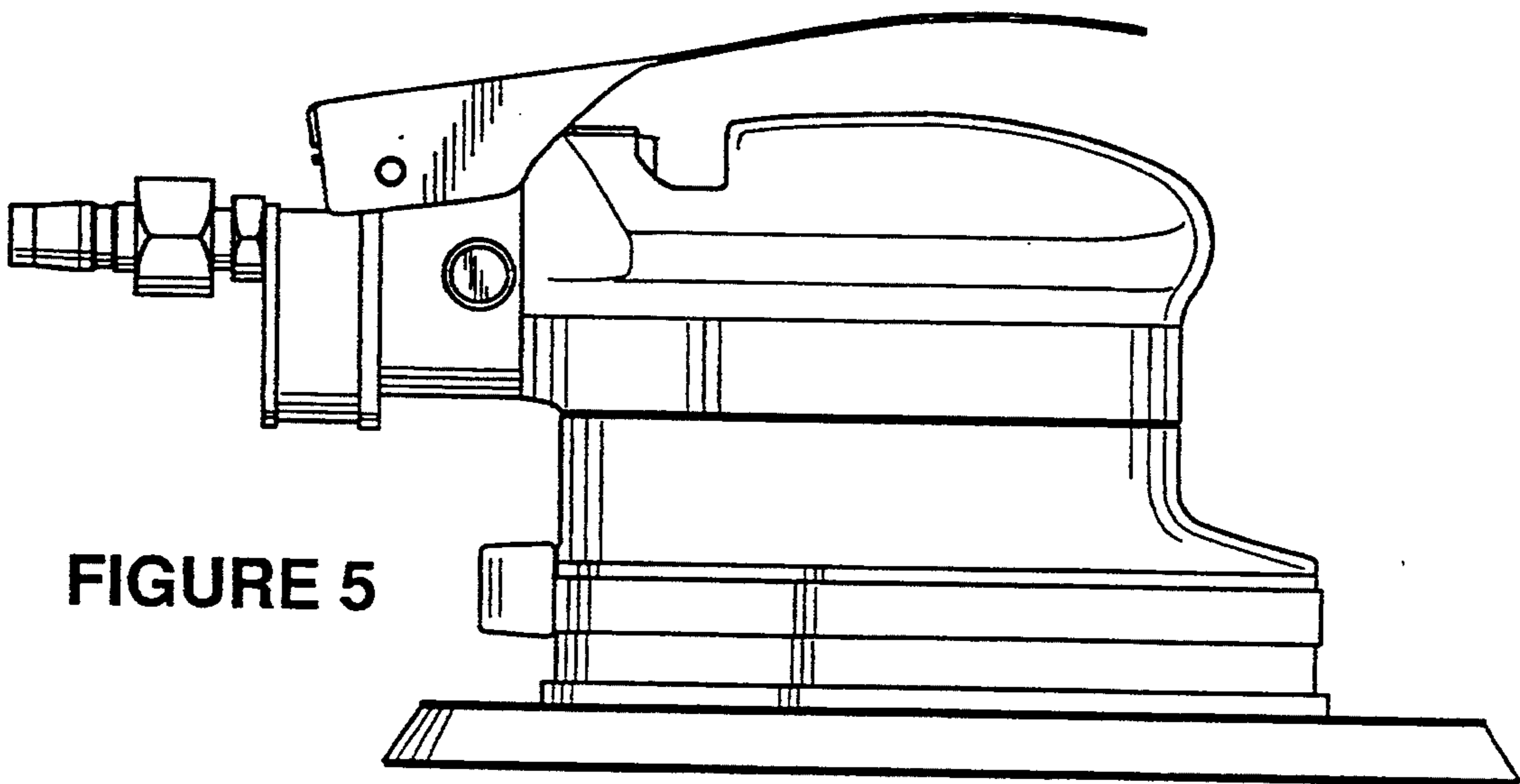


FIGURE 5

FIGURE 6

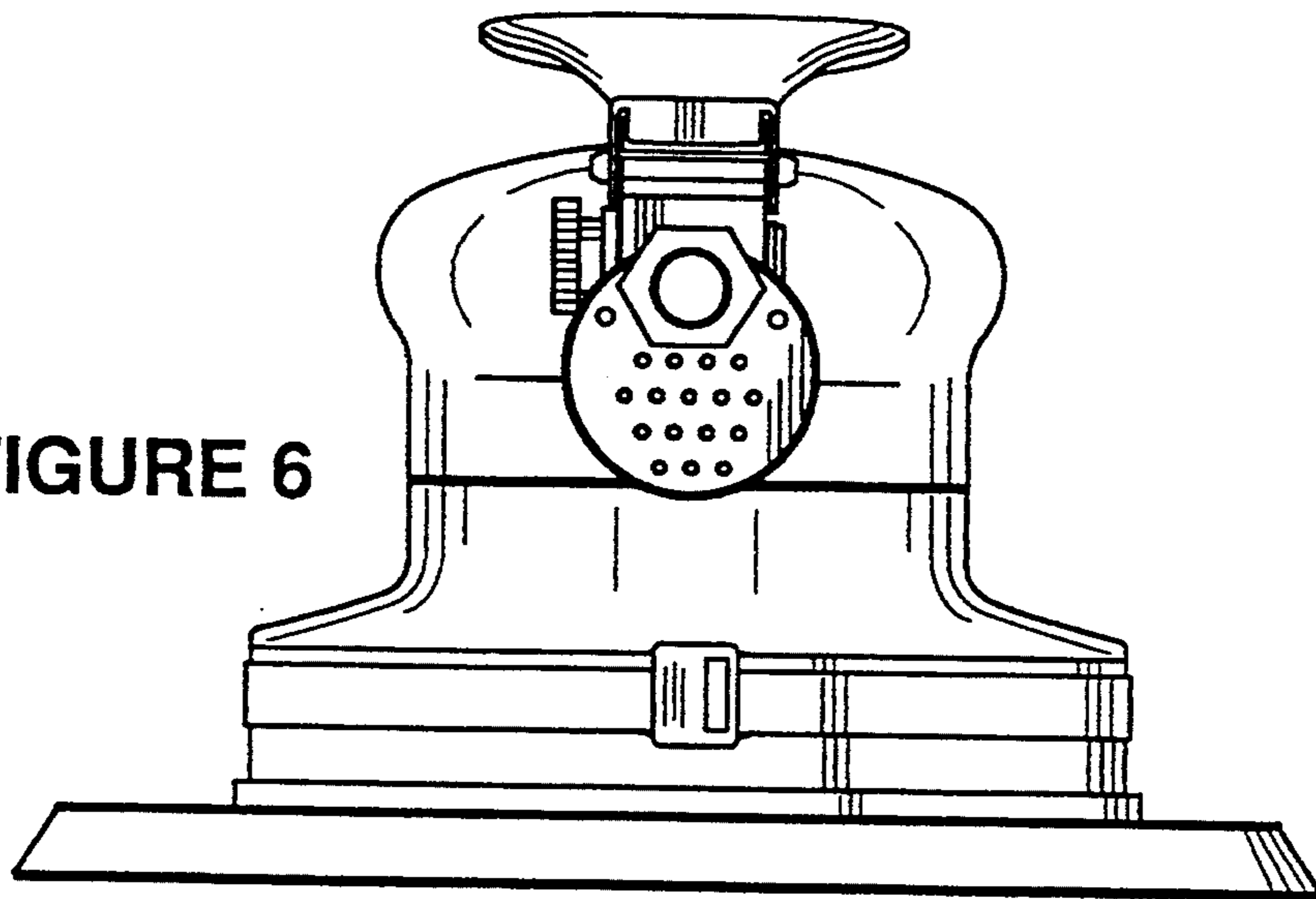


FIGURE 7

