



US00D354424S

**United States Patent** [19]  
**Izumisawa**

[11] **Patent Number: Des. 354,424**  
[45] **Date of Patent: \*\* Jan. 17, 1995**

[54] **MINIATURE DUAL ACTION ORBITAL SANDER**

D. 327,617 7/1992 Fisher ..... D8/61  
4,823,514 4/1989 Deluca ..... 51/170 MT

[75] **Inventor: Osamu Izumisawa, Tokyo, Japan**

*Primary Examiner*—Alan P. Douglas

[73] **Assignee: Shinano Pneumatic Industries, Inc., Nagano, Japan**

*Assistant Examiner*—Jeffrey H. Musgrove

*Attorney, Agent, or Firm*—Senniger, Powers, Leavitt & Roedel

[\*\*] **Term: 14 Years**

[57] **CLAIM**

[21] **Appl. No.: 7,865**

The ornamental design for miniature dual action orbital sander, as shown and described.

[22] **Filed: Apr. 30, 1993**

**DESCRIPTION**

[52] **U.S. Cl. .... D8/62**

[58] **Field of Search .... D8/62, 61; D15/139; 51/170 R, 170 T, 170 TL, 170 EB, 170 MT**

FIG. 1 is a right side elevational view of a miniature dual action orbital sander showing my new design, the left side elevational view being a mirror image thereof; FIG. 2 is a front elevational view thereof; FIG. 3 is a rear elevational view thereof; FIG. 4 is a top plan view thereof; and, FIG. 5 is a bottom plan view thereof.

[56] **References Cited**

**U.S. PATENT DOCUMENTS**

D. 269,846 7/1983 Izumisawa ..... D8/62

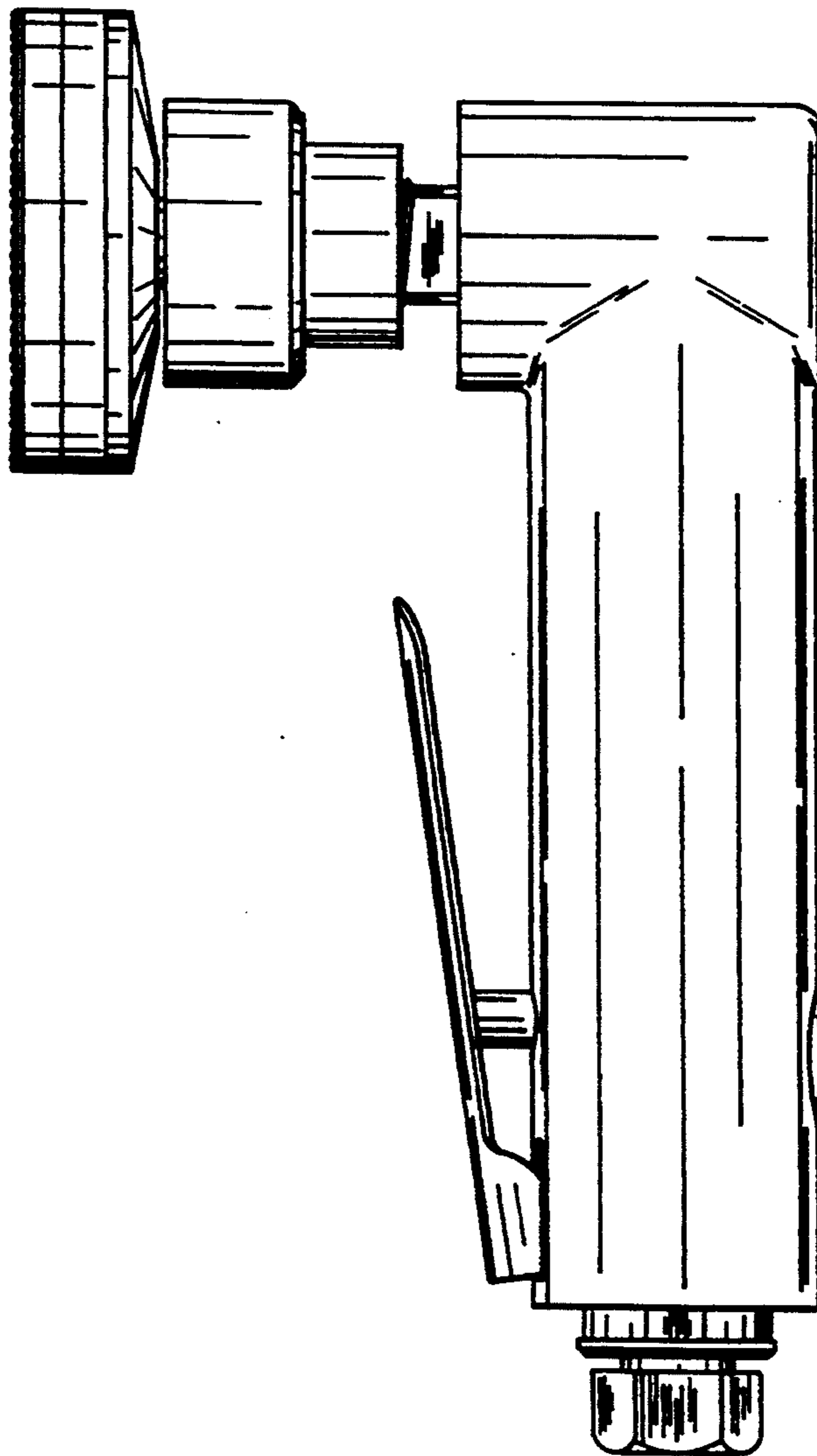


FIG. 1

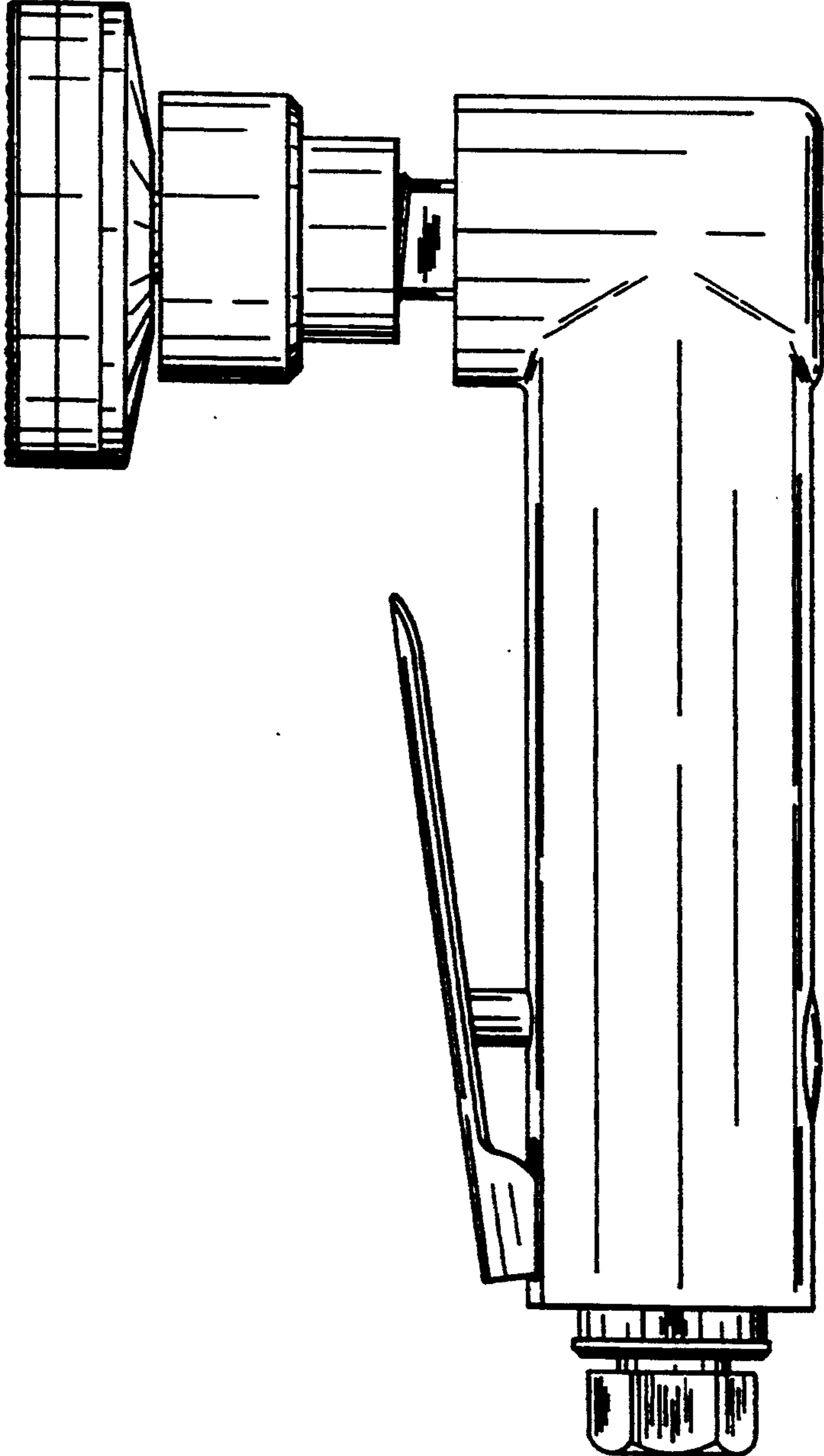


FIG. 2

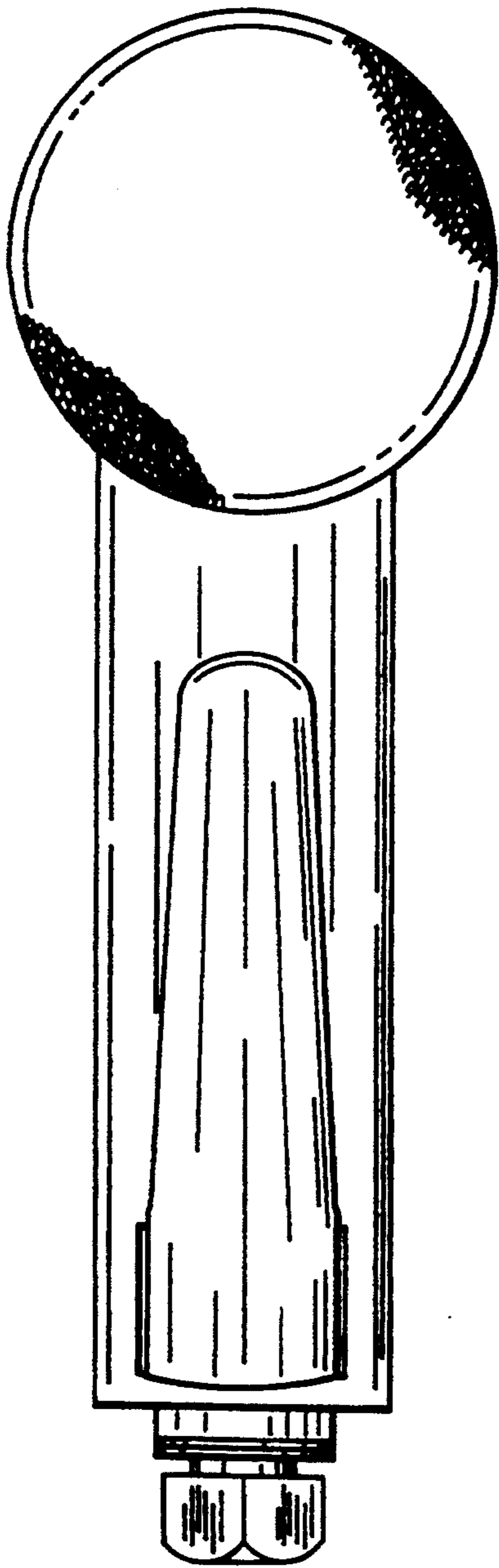


FIG. 3

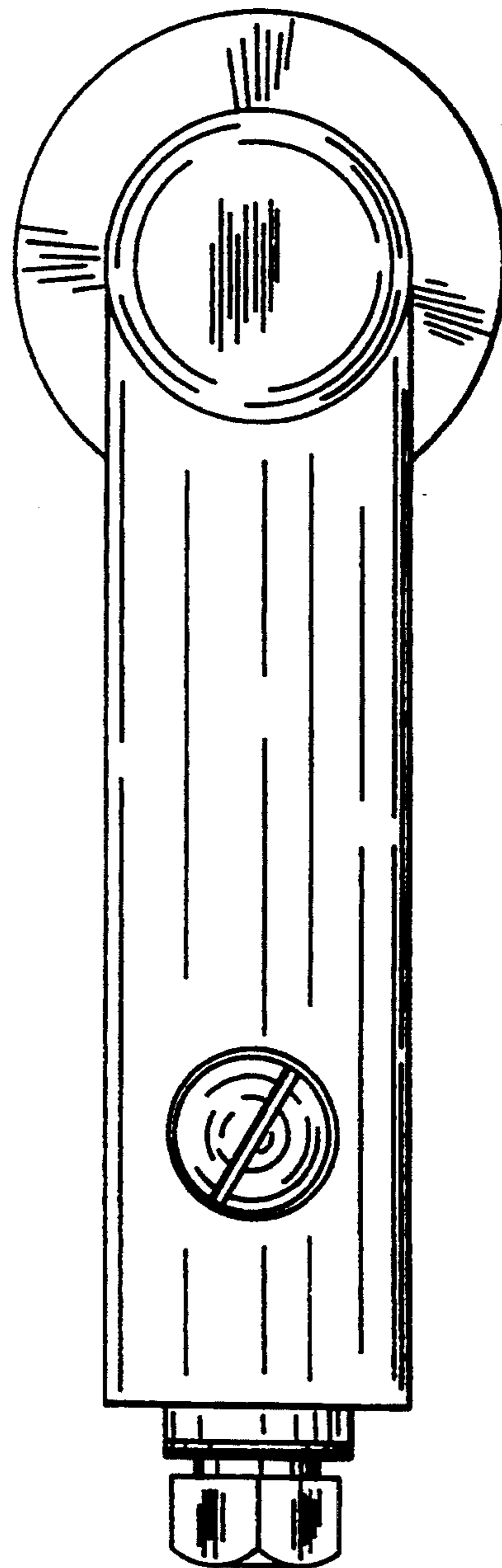


FIG. 4

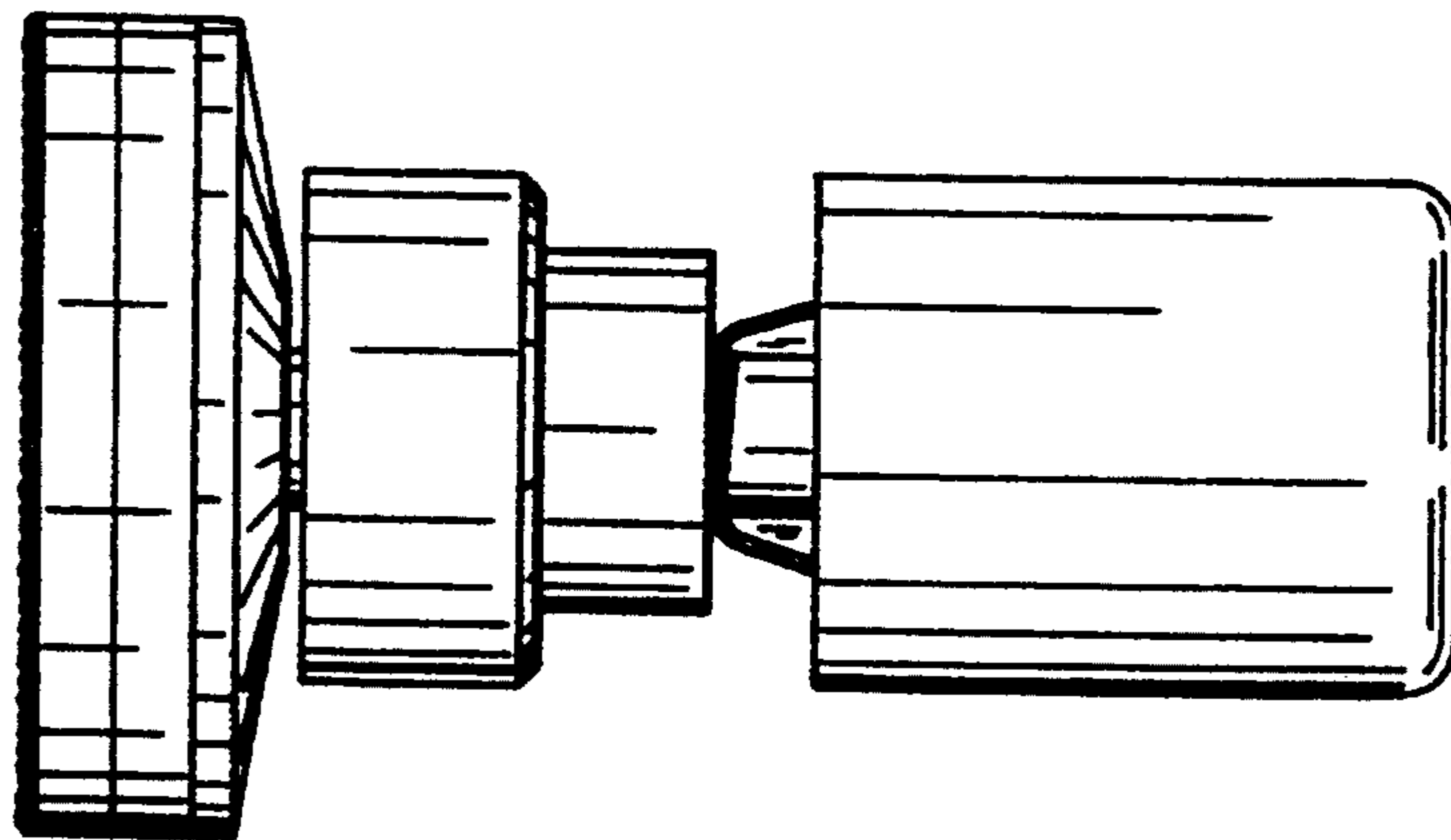


FIG. 5

