



US00D354421S

# United States Patent [19]

[11] Patent Number: **Des. 354,421**

**Helmer**

[45] Date of Patent: **\*\* Jan. 17, 1995**

[54] **EGG DYEING HOLDER**

697,247 4/1902 Harris ..... 211/74 X  
4,573,586 3/1986 Helmer ..... 211/14

[76] Inventor: **Michael T. Helmer, 7517  
Blackthorne Way, Citrus Heights,  
Calif. 95621**

*Primary Examiner—Terry A. Wallace  
Attorney, Agent, or Firm—Mark C. Jacobs*

[\*\*] Term: **14 Years**

[57] **CLAIM**

[21] Appl. No.: **14,723**

The ornamental design for a egg dyeing holder, as shown and described.

[22] Filed: **Oct. 29, 1993**

**DESCRIPTION**

[52] U.S. Cl. .... **D7/669**

[58] Field of Search ..... **D7/550, 553.5, 611,  
D7/669; 211/14-15, 74; 220/508**

FIG. 1 is a perspective view of an egg dyeing holder showing my new design;

FIG. 2 is a top plan view thereof;

FIG. 3 is a front elevational view thereof;

FIG. 4 is a rear elevational view thereof;

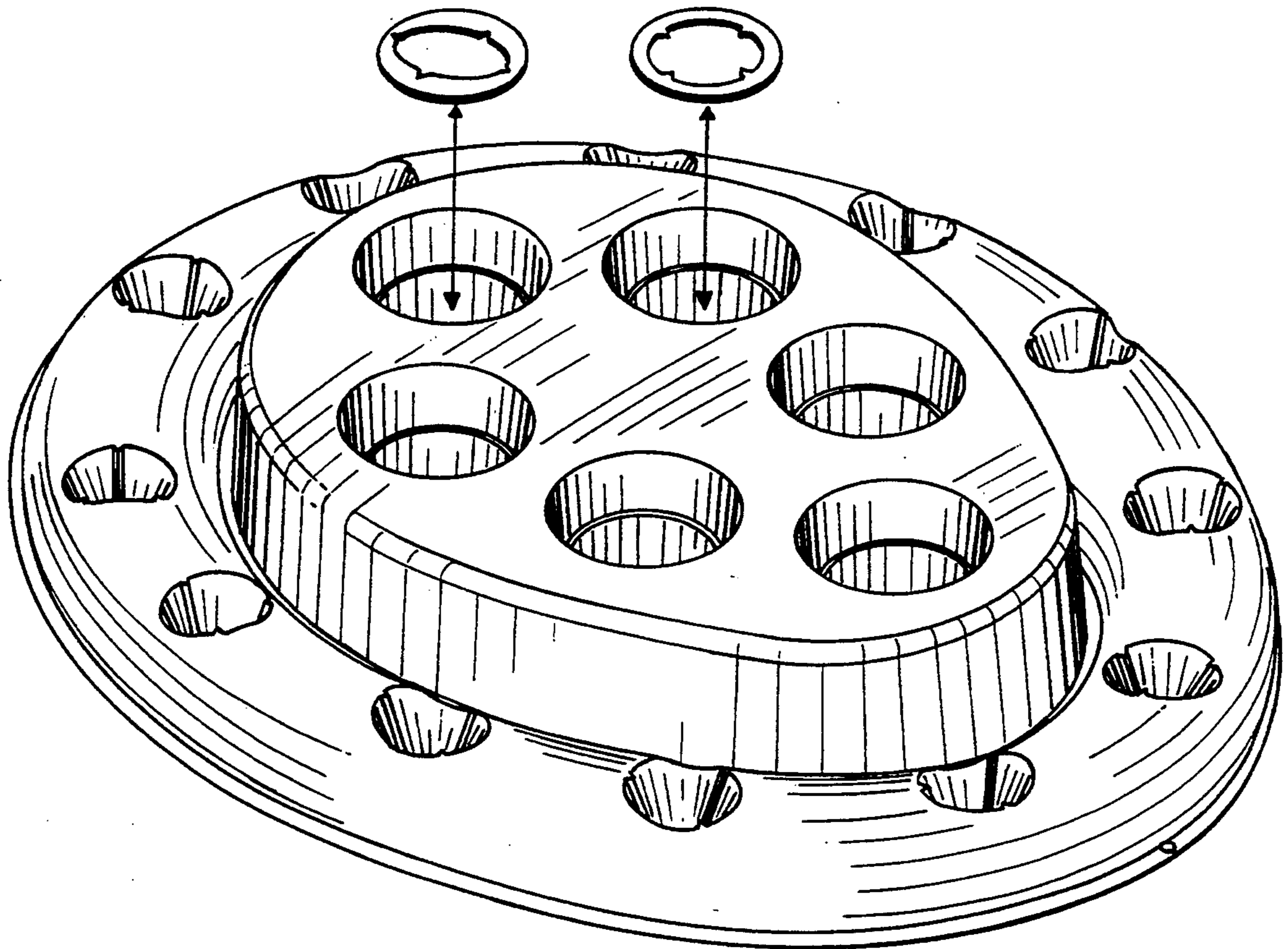
FIG. 5 is a bottom plan view thereof; and,

FIG. 6 is a left side elevational view thereof, the opposite side being a mirror image.

[56] **References Cited**

**U.S. PATENT DOCUMENTS**

D. 312,949 12/1990 Persch ..... **D7/701 X**  
102,398 4/1870 Hibbs ..... 211/74 X



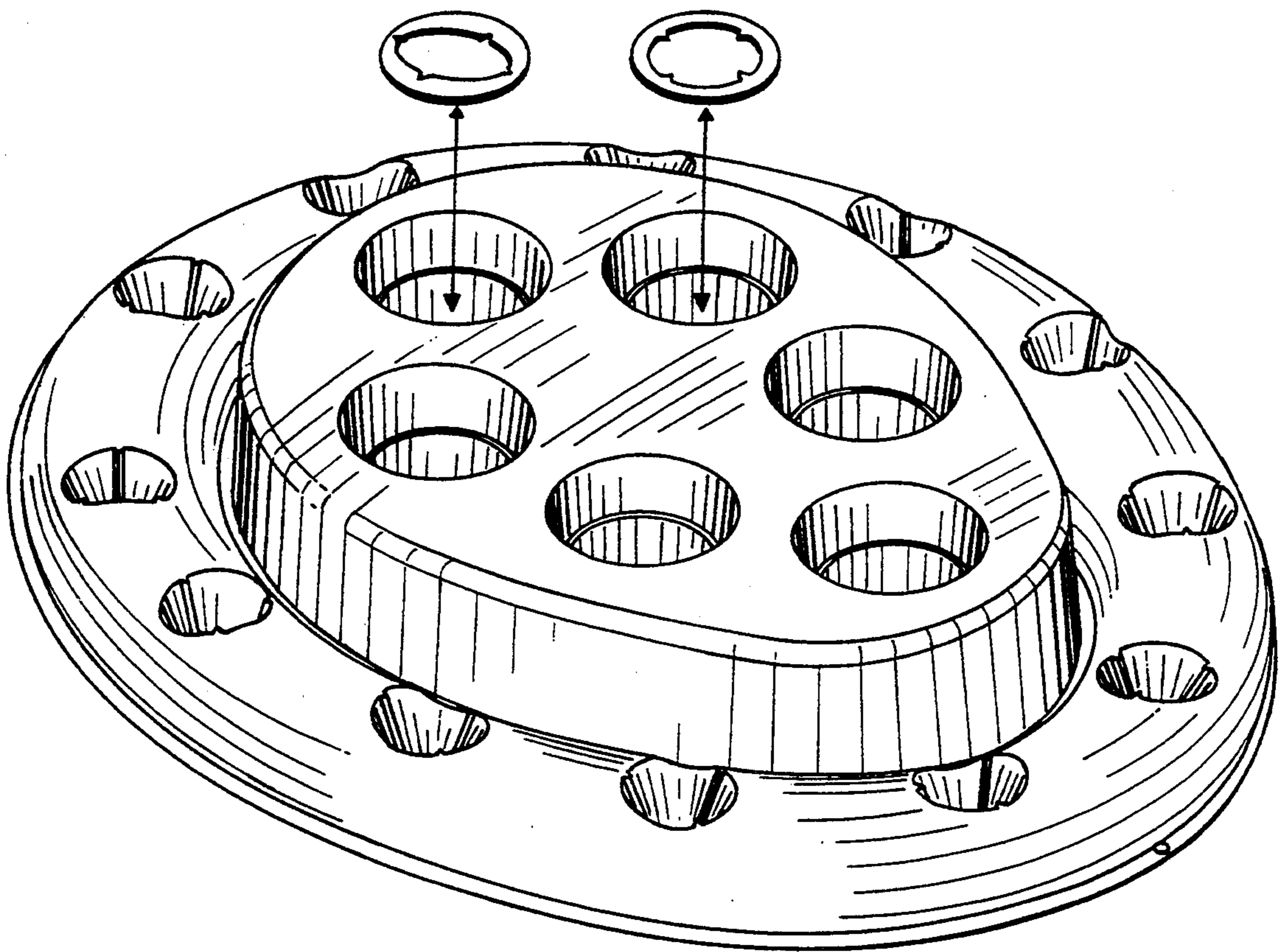


FIG. 1

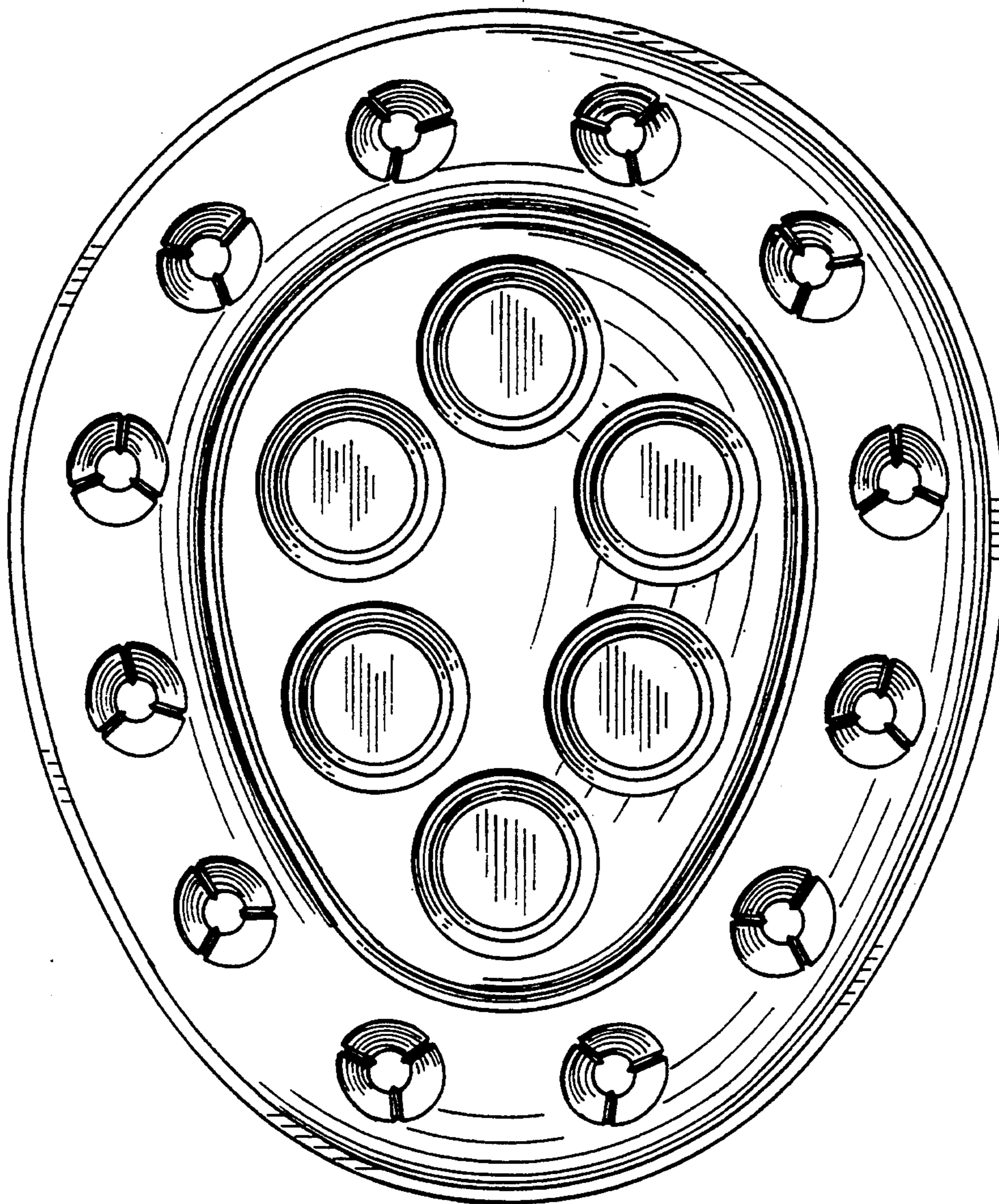


FIG. 2

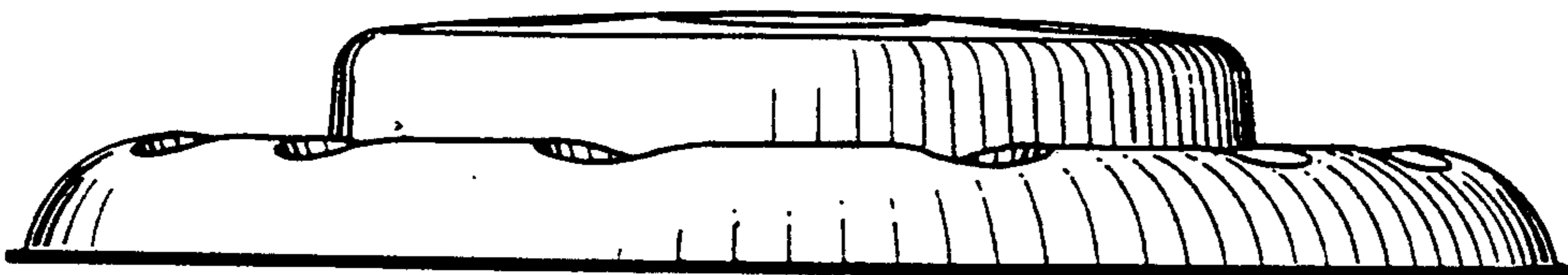


FIG. 3

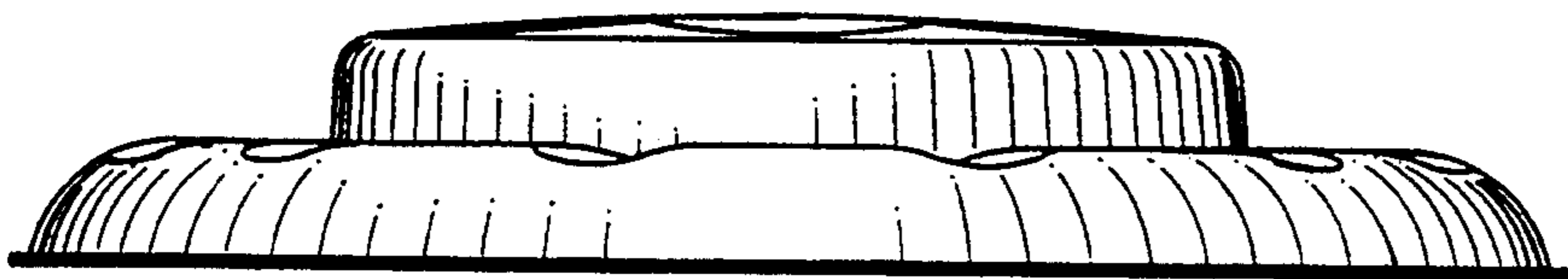


FIG. 4

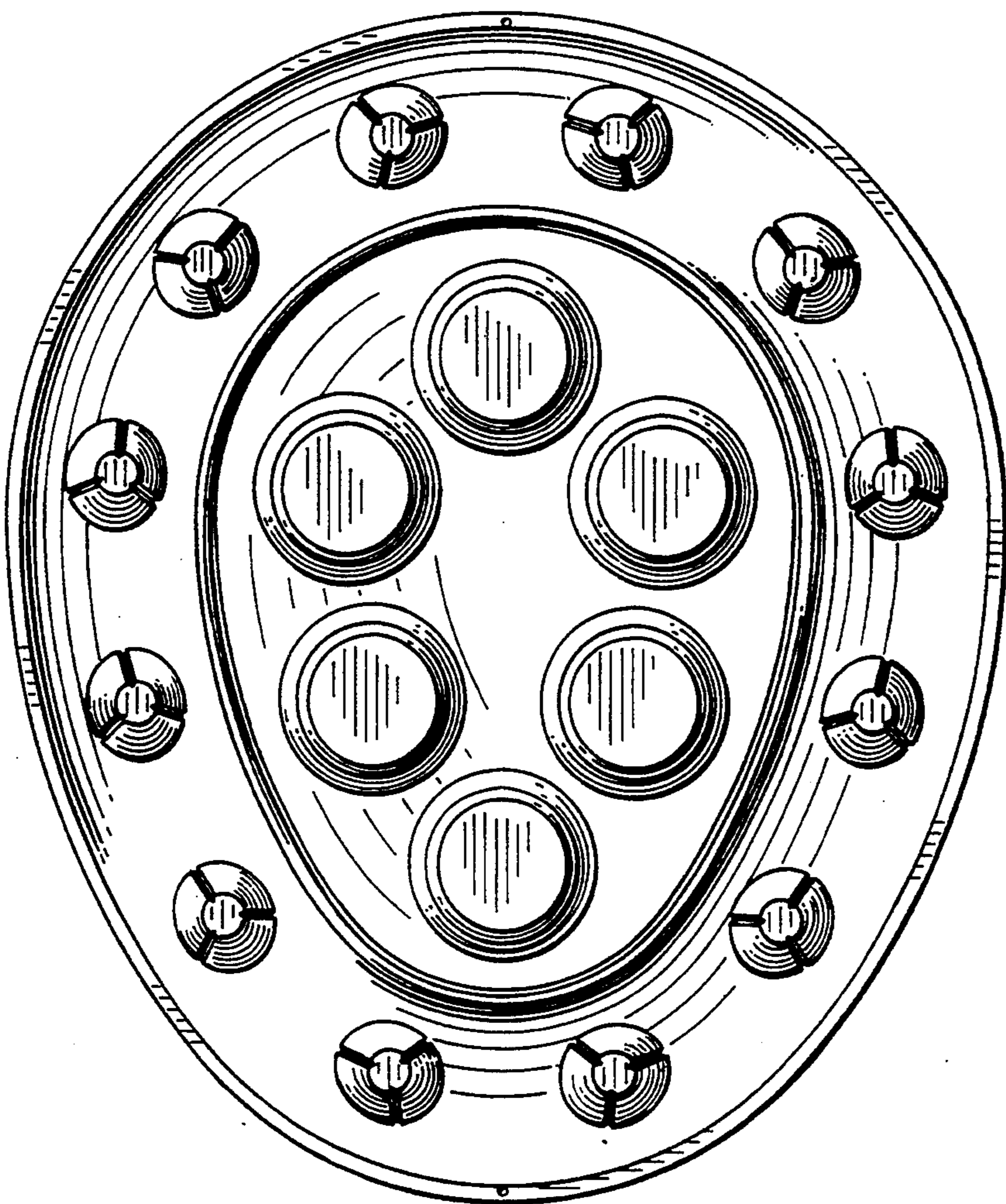


FIG. 5

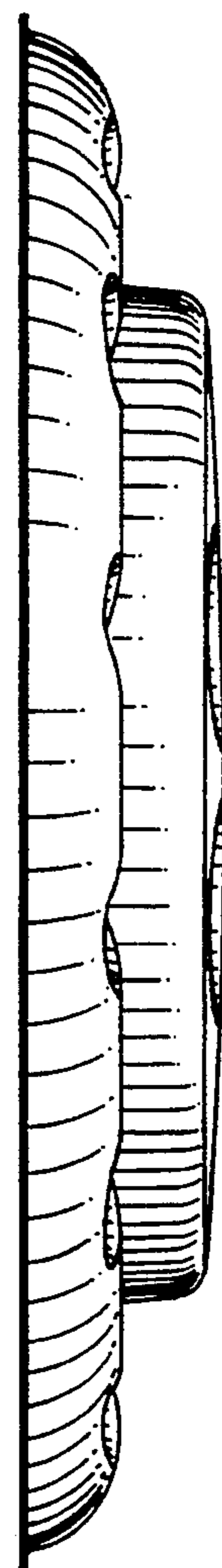


FIG. 6