



US00D354418S

United States Patent [19]

Martin

[11] Patent Number: **Des. 354,418**

[45] Date of Patent: **** Jan. 17, 1995**

[54] COFFEE MUG

[76] Inventor: **Chris J. Martin**, 22702 90th Way S., Apt. A-302, Kent, Wash. 98031

[**] Term: **14 Years**

[21] Appl. No.: **12,156**

[22] Filed: **Aug. 25, 1993**

[52] U.S. Cl. **D7/536; D7/533**

[58] Field of Search **D7/507, 509, 510, 511, D7/512, 513, 514, 519, 523, 524, 527, 528, 530, 531, 532, 533, 534, 535, 536, 605, 505; 215/100 A; 220/771**

D. 283,772 5/1986 Vail D7/536
1,977,091 10/1934 Schutz D7/523 X
3,854,583 12/1974 Amberg et al. D7/523 X

OTHER PUBLICATIONS

Mug #1473 1007. Hall Service China p. Catalog \$5M-373.

Primary Examiner—Alan P. Douglas
Assistant Examiner—M. N. Pandozzi
Attorney, Agent, or Firm—Glenn D. Bellamy

[57] CLAIM

The ornamental design for a coffee mug, as shown.

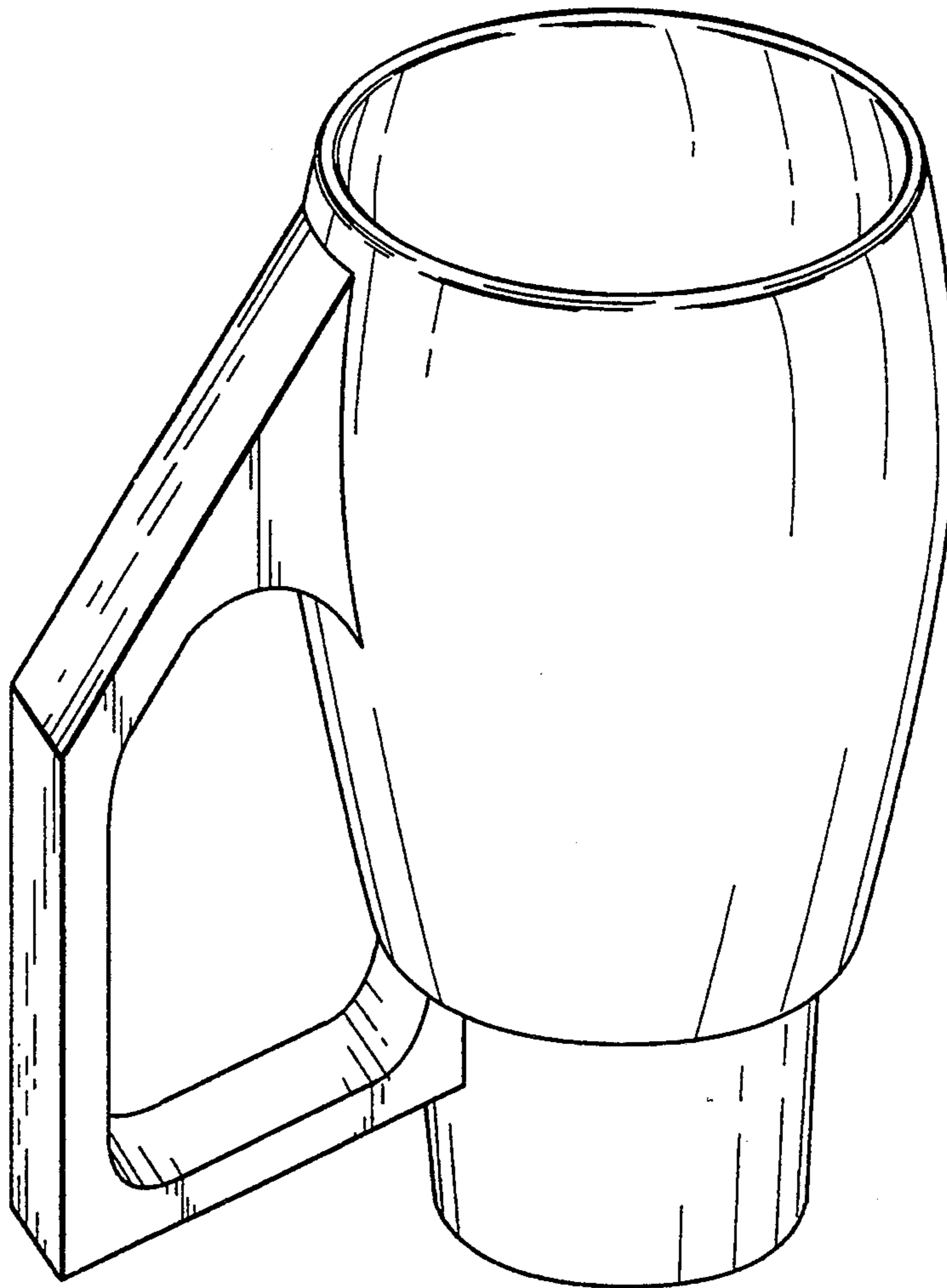
DESCRIPTION

FIG. 1 is a top perspective view of a coffee mug showing my new design;
FIG. 2 is a bottom plan view thereof;
FIG. 3 is a top plan view thereof;
FIG. 4 is a side view thereof;
FIG. 5 is an opposite side view thereof;
FIG. 6 is a frontal view thereof; and,
FIG. 7 is a rearward view thereof.

[56] References Cited

U.S. PATENT DOCUMENTS

D. 52,349 8/1918 Saunders D7/536
D. 138,638 8/1944 Erbe D7/524
D. 168,409 12/1952 Kell D7/524
D. 195,376 6/1963 Curtis D7/511 X
D. 203,402 1/1966 Wiinblad D7/536
D. 226,443 3/1973 Achenbach D7/523



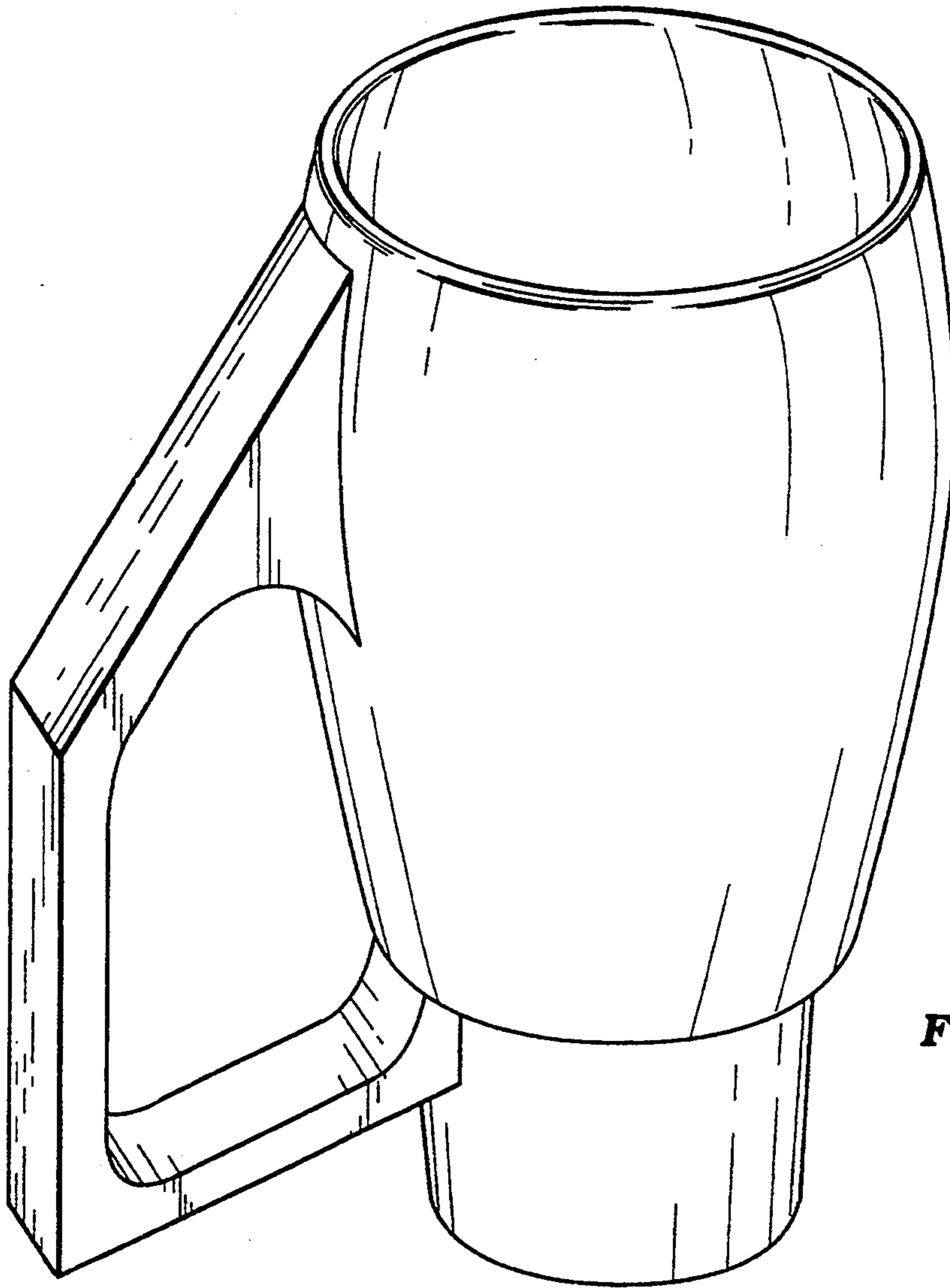


Fig. 1

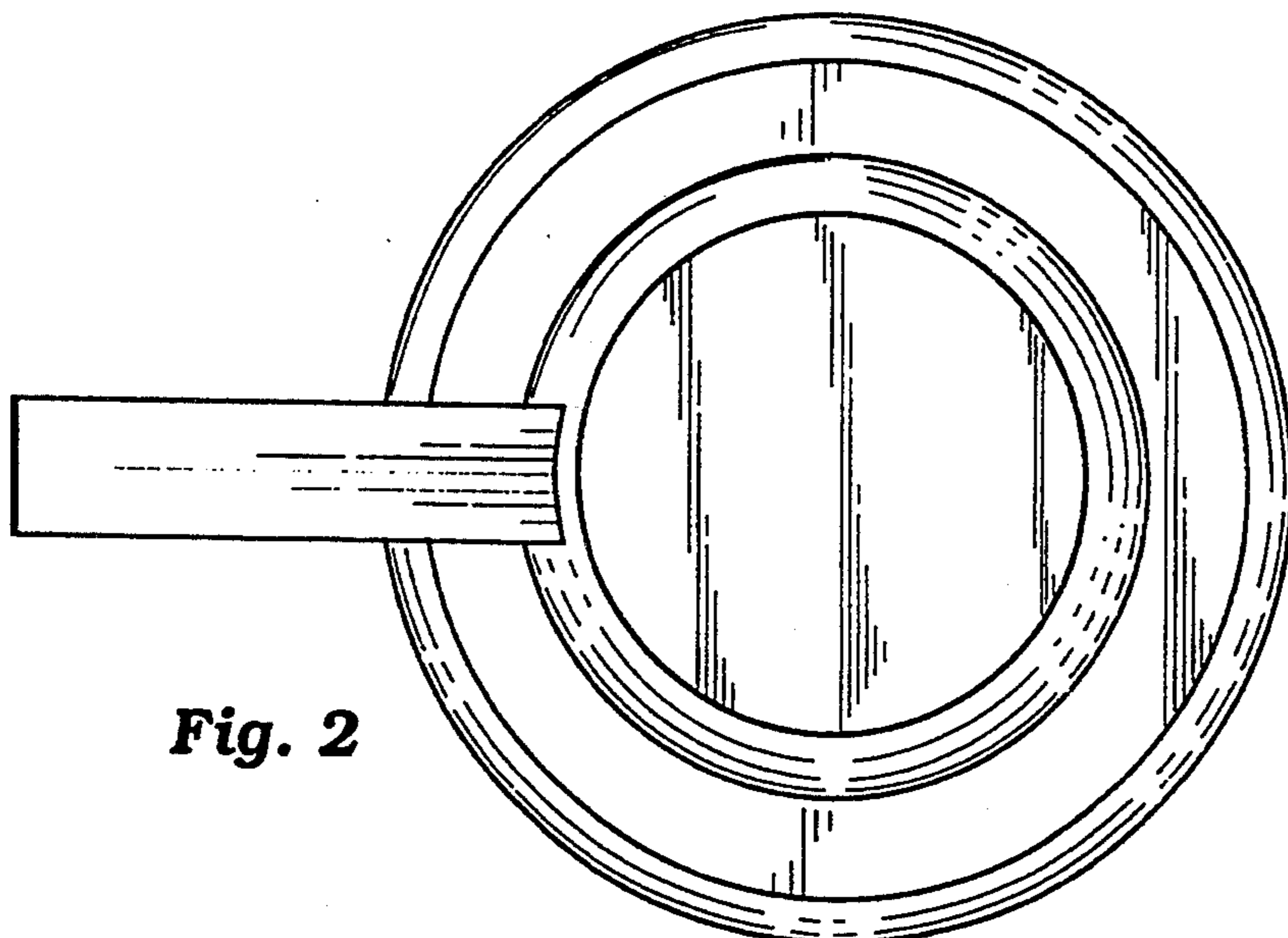


Fig. 2

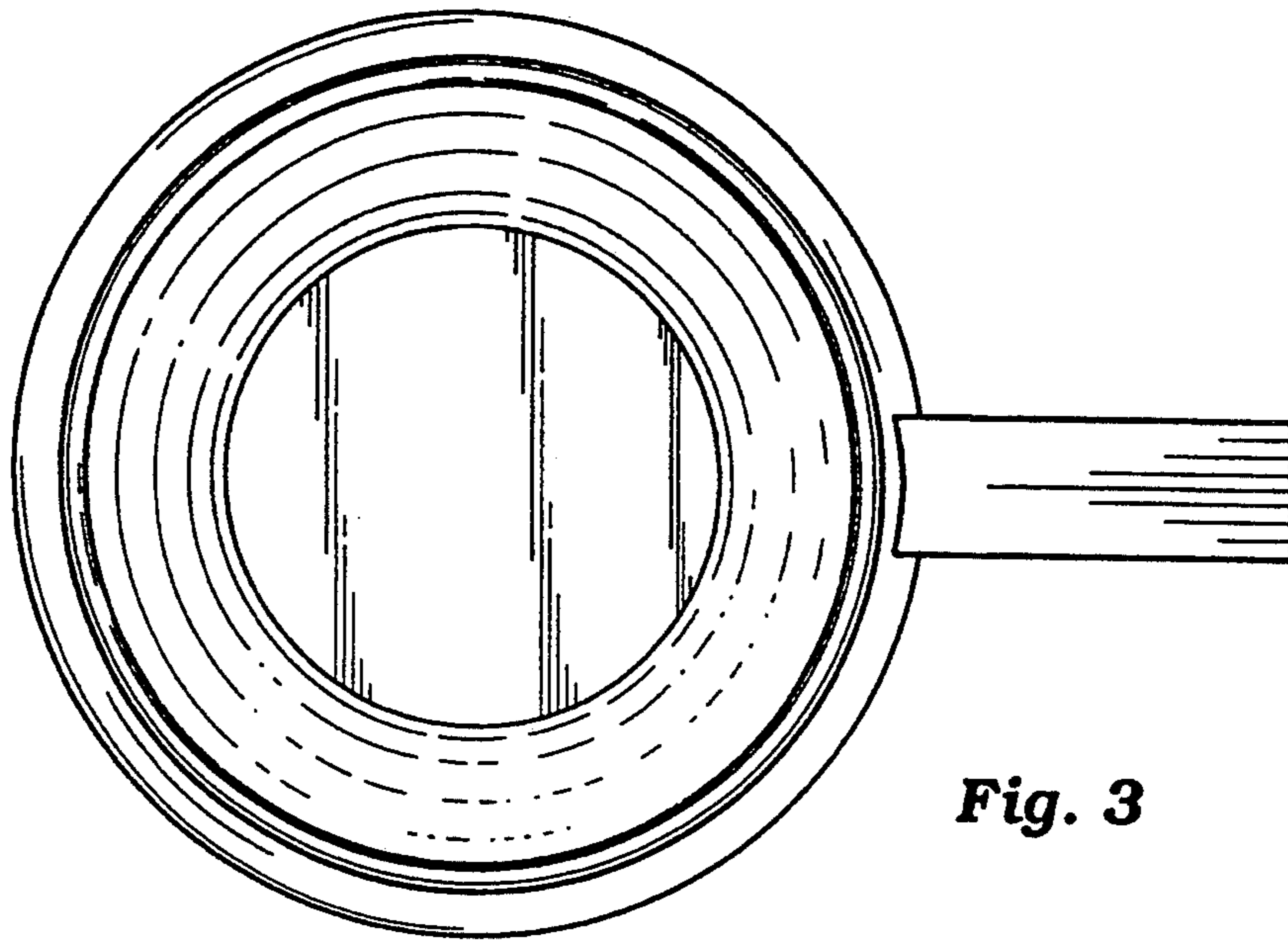


Fig. 3

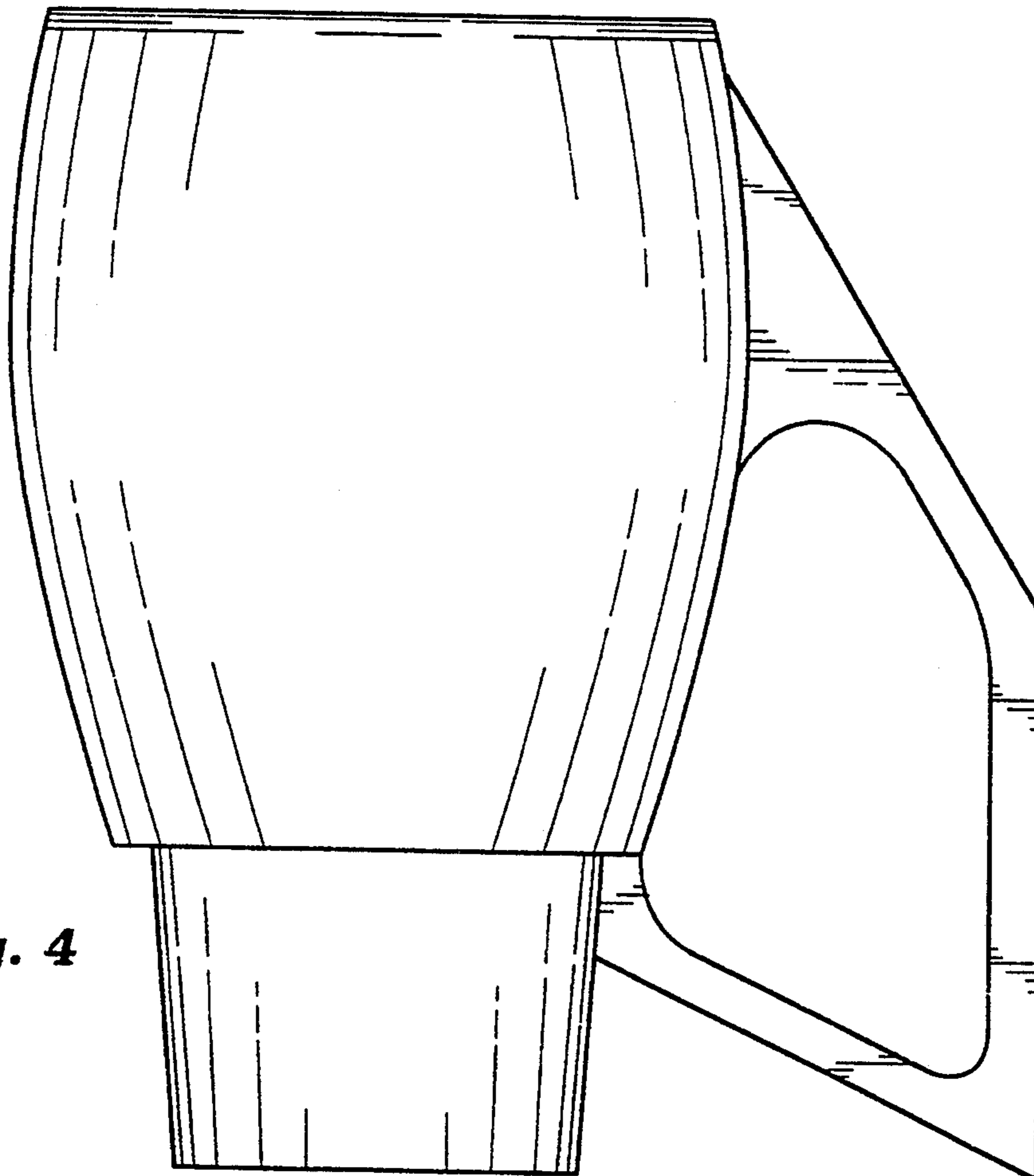


Fig. 4

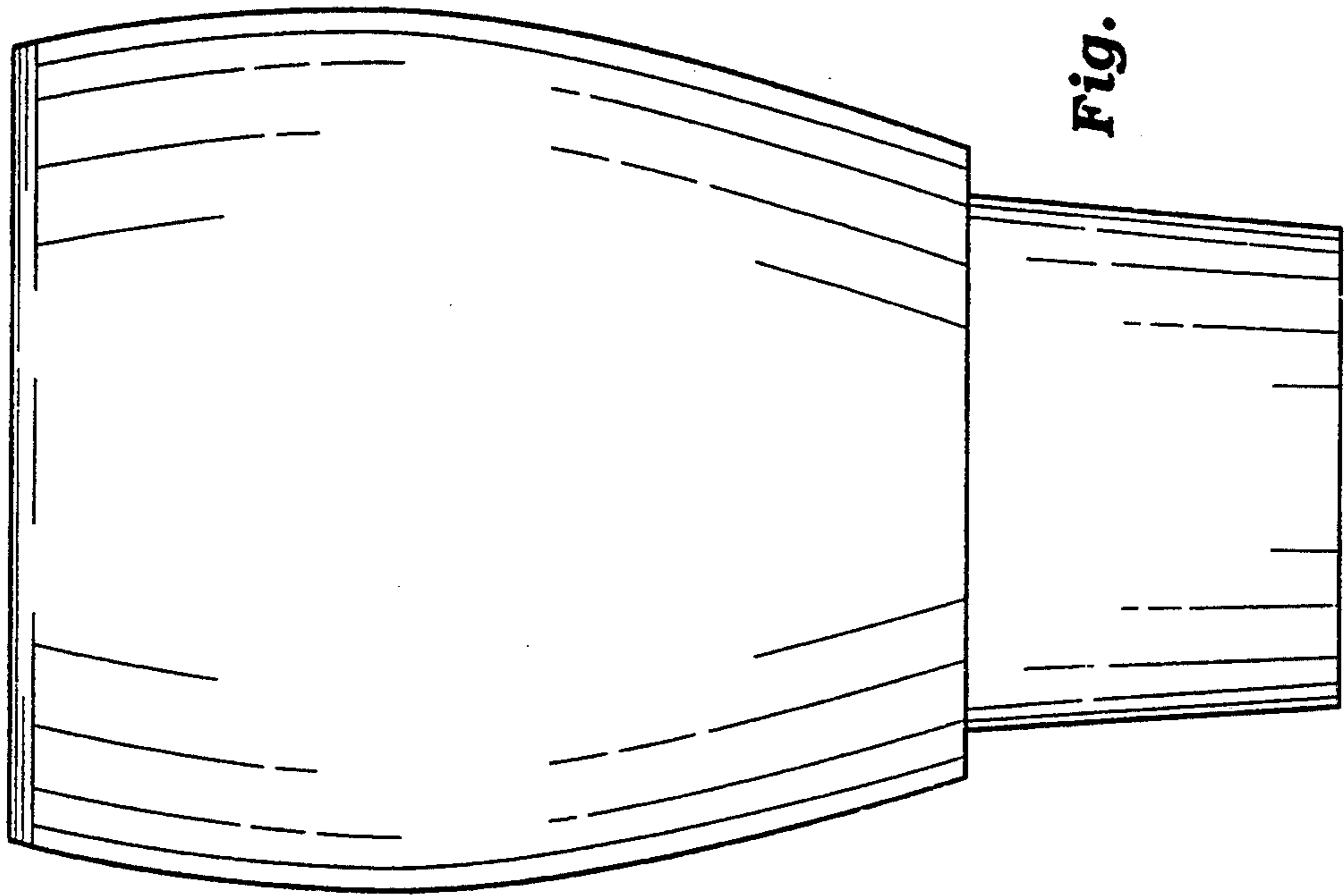


Fig. 6

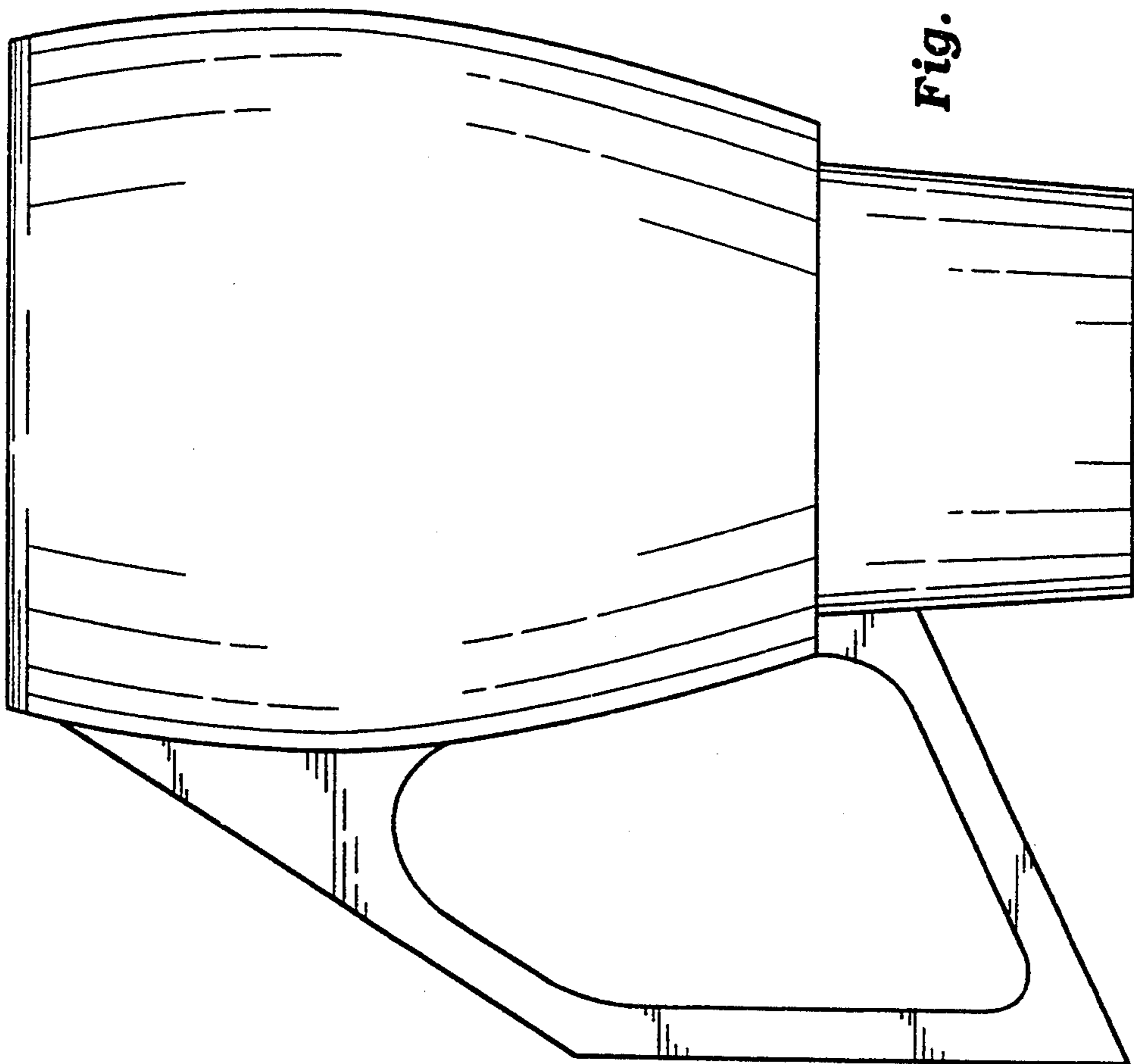


Fig. 5

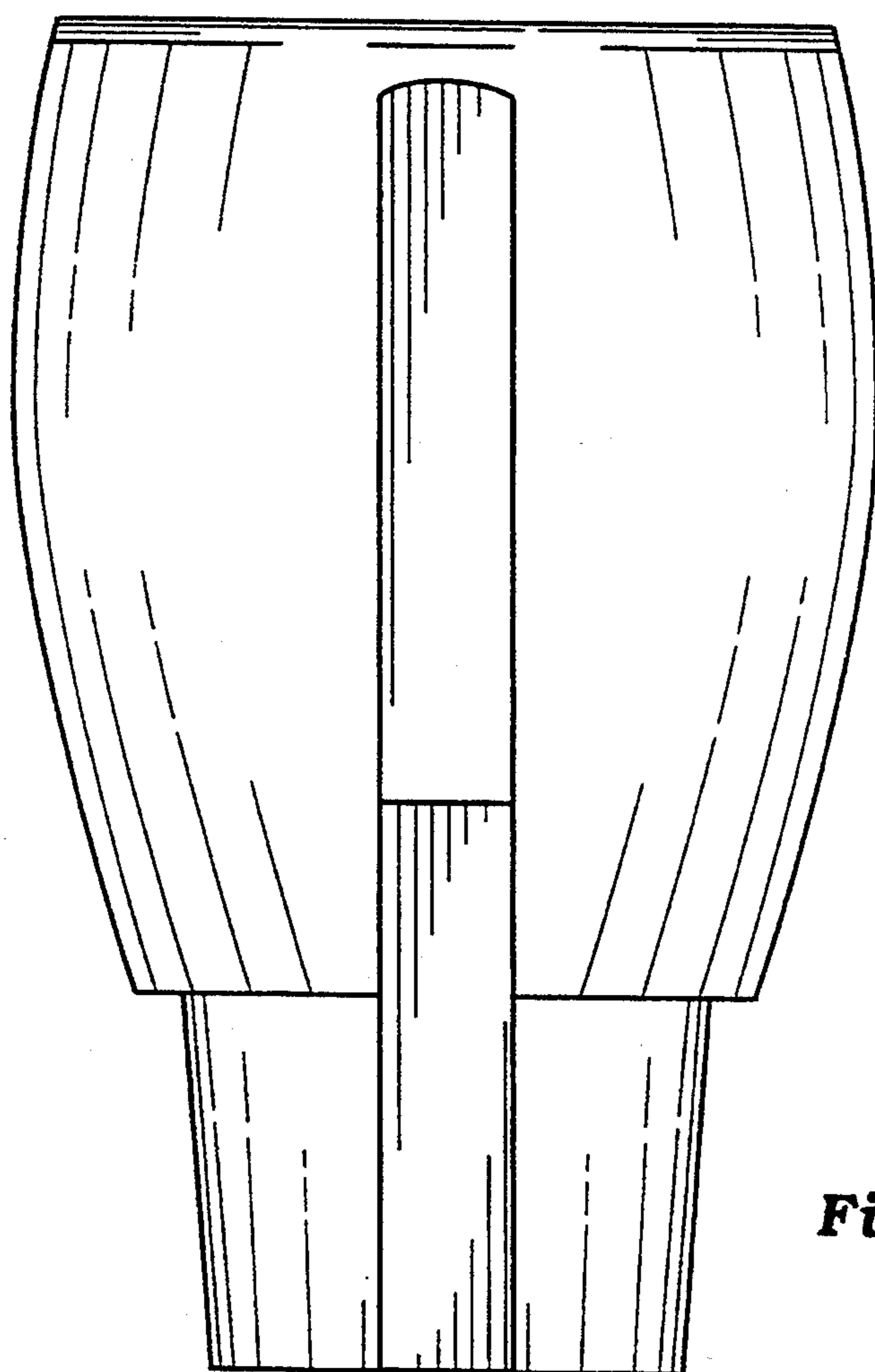


Fig. 7