



US00D354415S

United States Patent [19]

Noda et al.

[11] Patent Number: **Des. 354,415**

[45] Date of Patent: **** Jan. 17, 1995**

[54] MICROWAVE OVEN

[75] Inventors: **Kensaku Noda; Noriyuki Mori**, both of Shiga, Japan

[73] Assignee: **Sanyo Electric Co., Ltd.**, Moriguchi, Japan

[**] Term: **14 Years**

[21] Appl. No.: **8,984**

[22] Filed: **Jun. 1, 1993**

[30] Foreign Application Priority Data

Dec. 9, 1992 [JP] Japan 4-36414

[52] U.S. Cl. **D7/351**

[58] Field of Search D7/348-351;
126/275 R, 275 E, 19 M, 19 R, 21 A;
99/467-468; 219/391, 402, 10.55 R, 10.55 A,
10.55 B, 10.55 C

[56] References Cited

U.S. PATENT DOCUMENTS

- D. 295,357 4/1988 Kubo et al. D7/351
- D. 295,822 5/1988 Kubo et al. D7/351
- D. 312,944 12/1990 Kubo et al. D7/351
- D. 312,945 12/1990 Kubo et al. D7/351
- D. 334,109 3/1993 Kim D7/351

- D. 335,064 4/1993 Sugiyama et al. D7/351
- D. 341,289 11/1993 Choi D7/351

FOREIGN PATENT DOCUMENTS

- 667327 12/1985 Japan .
- 790842 6/1990 Japan .
- 849146 10/1992 Japan .
- 850887 10/1992 Japan .

Primary Examiner—Ruth McInroy
Attorney, Agent, or Firm—Darby & Darby

[57] CLAIM

The ornamental design for a microwave oven, as shown and described.

DESCRIPTION

FIG. 1 is a top, front and right side perspective view of a microwave oven showing our new design;
 FIG. 2 is a front elevational view thereof;
 FIG. 3 is a rear elevational view thereof;
 FIG. 4 is a top plan view thereof;
 FIG. 5 is a bottom plan view thereof;
 FIG. 6 is a left side elevational view thereof;
 FIG. 7 is a right side elevational view thereof;
 FIG. 8 is a front elevational view thereof with the door open; and,
 FIG. 9 is a cross sectional view taken along lines 9—9 in FIG. 2.

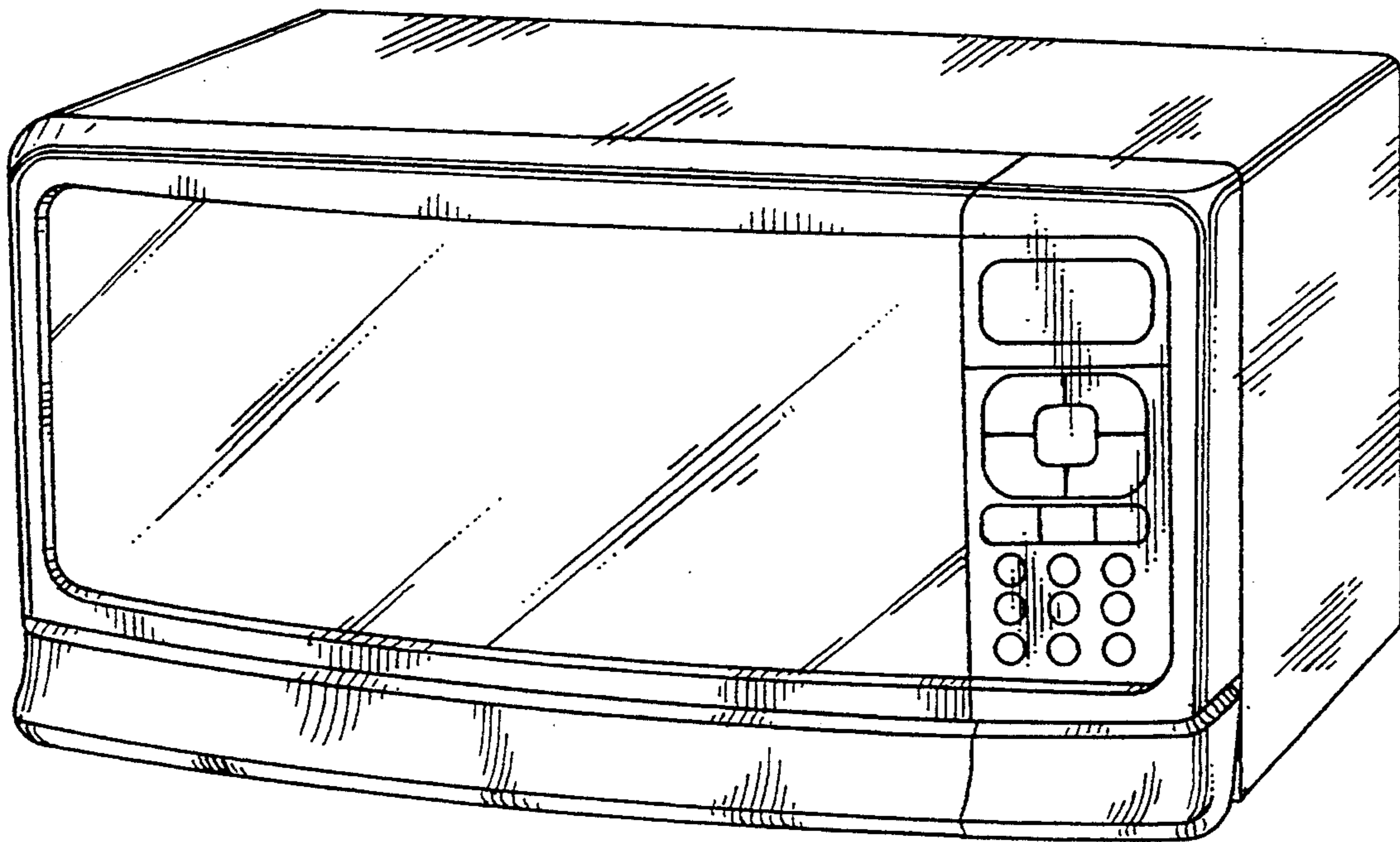
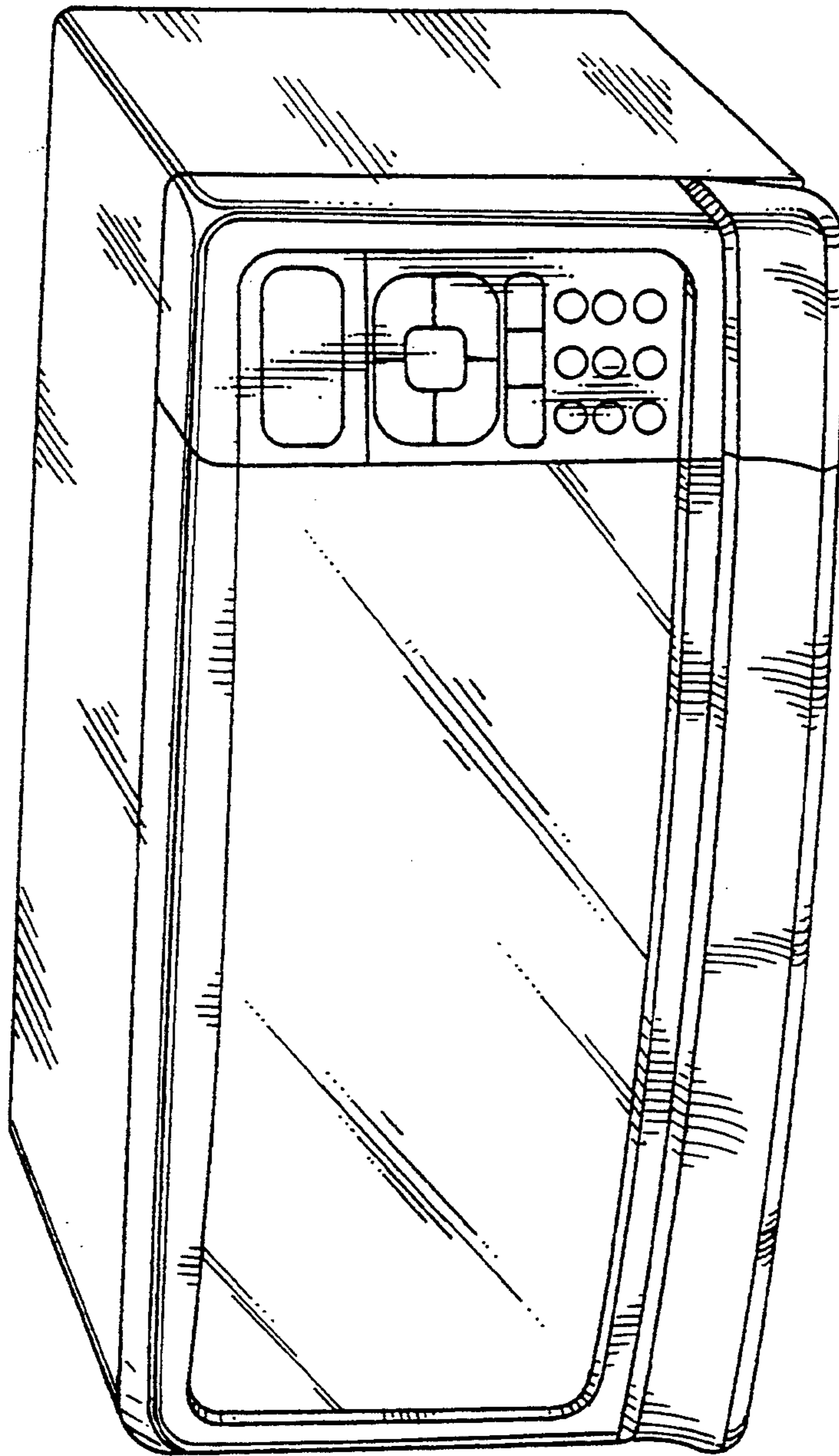


FIG. 1



← 9 FIG. 2

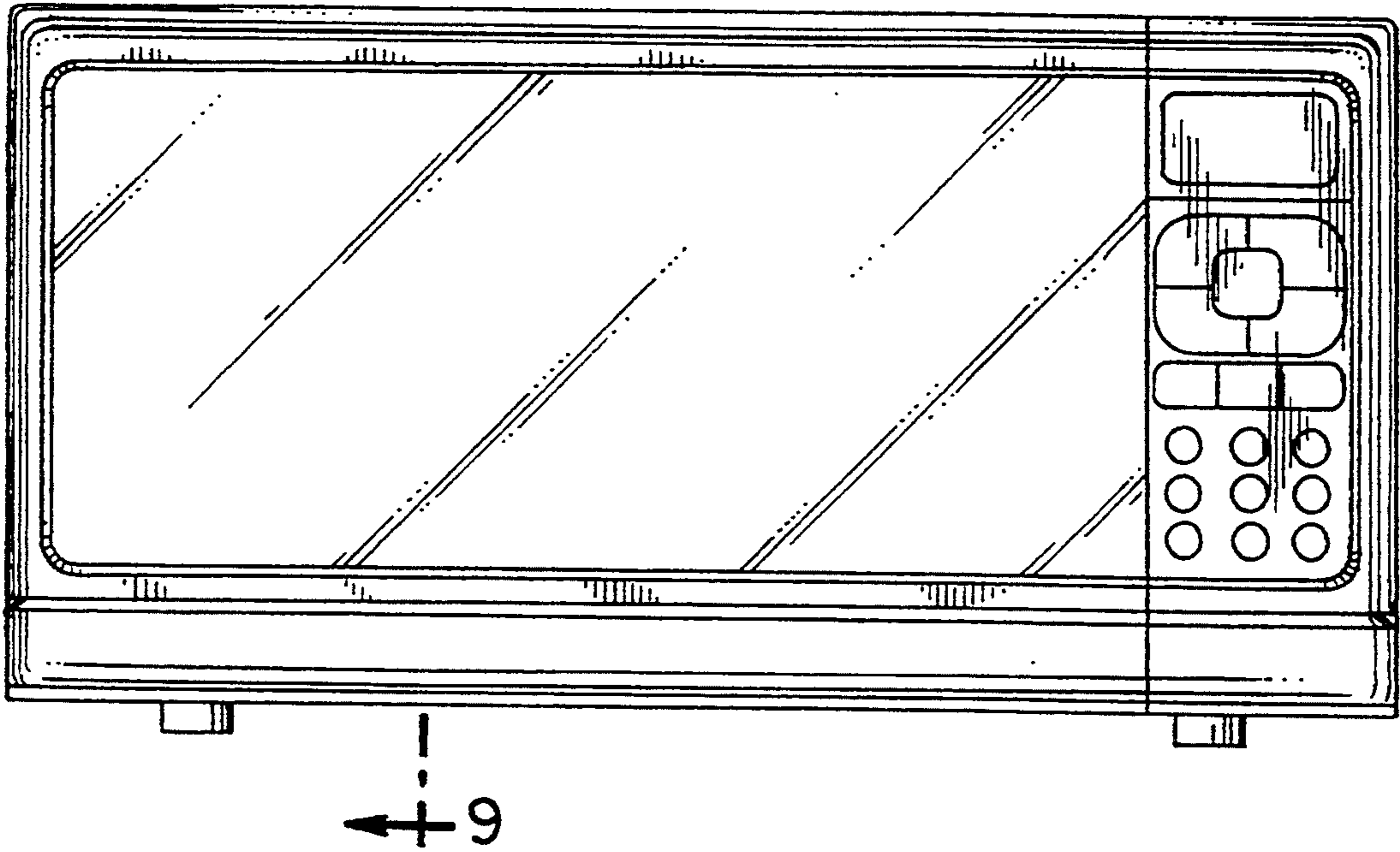


FIG. 3

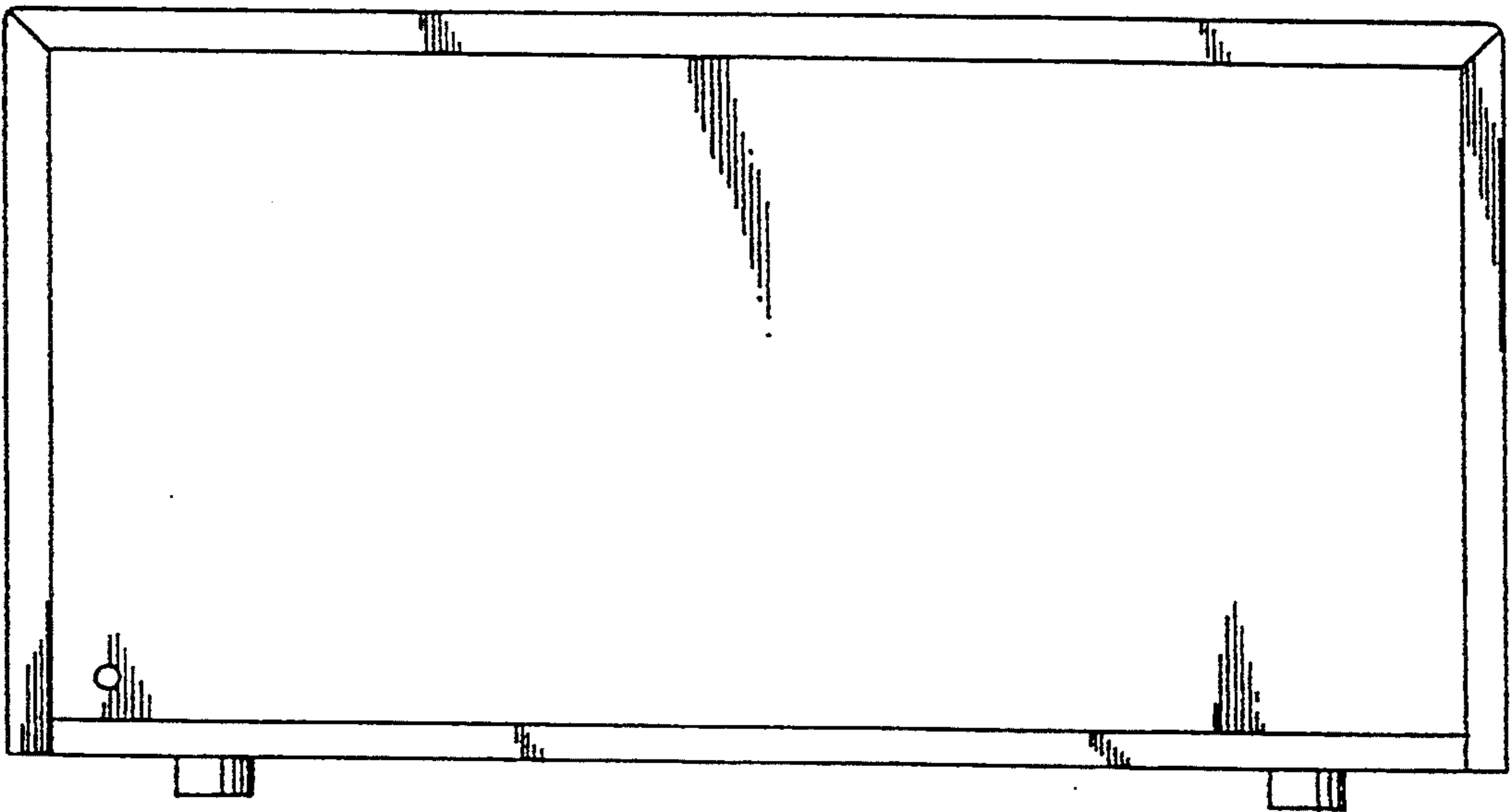


FIG. 4

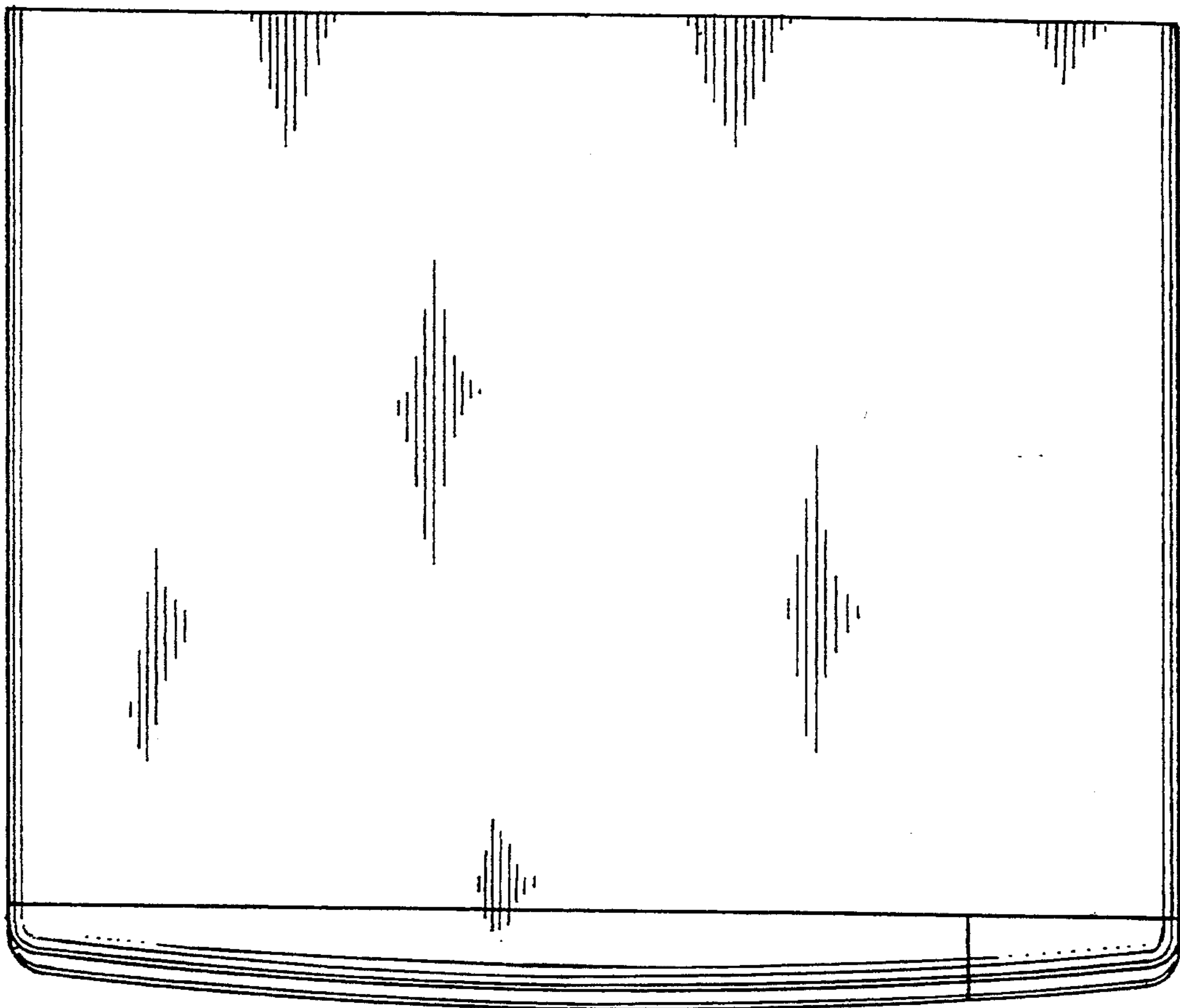


FIG. 5

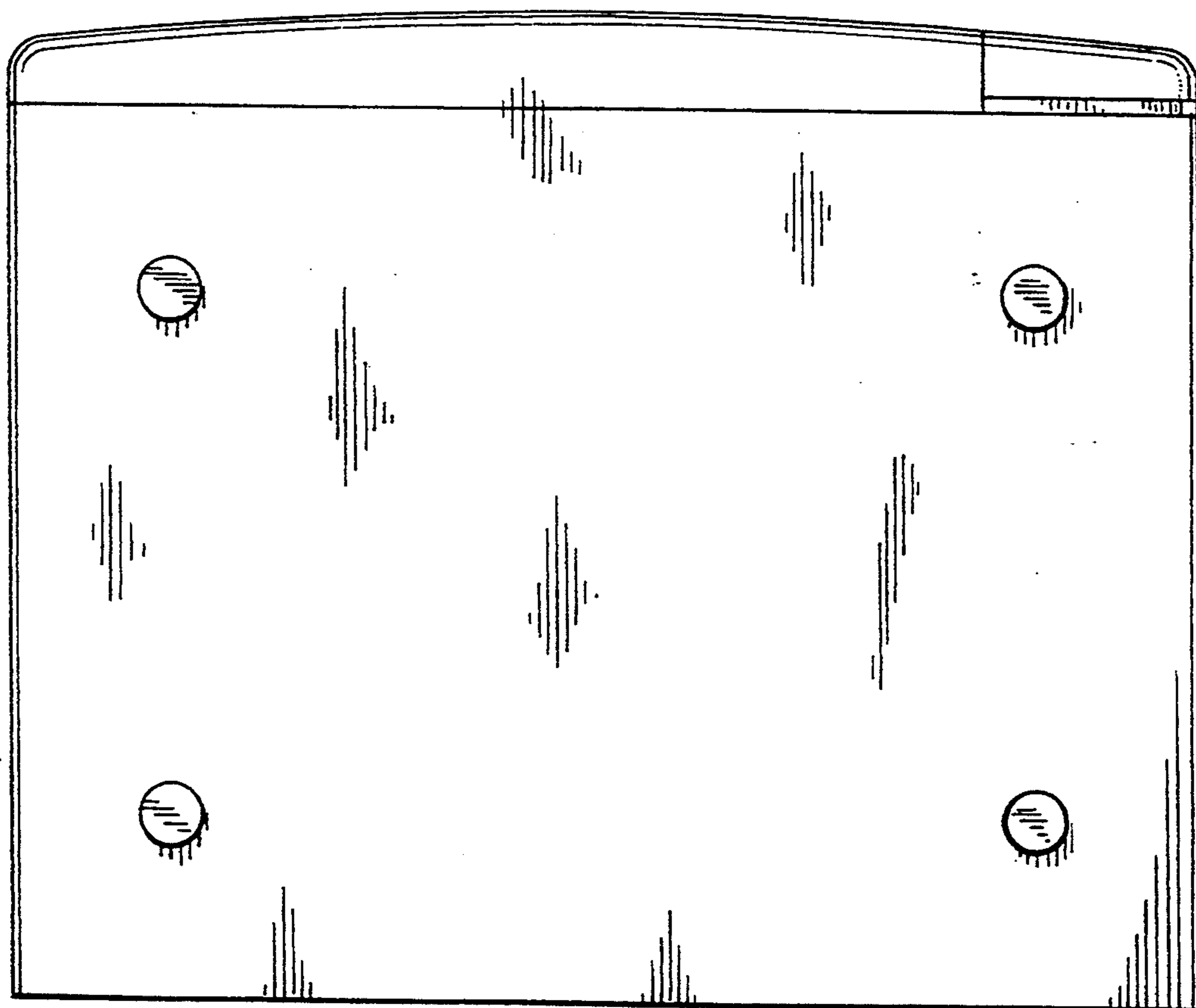


FIG. 6

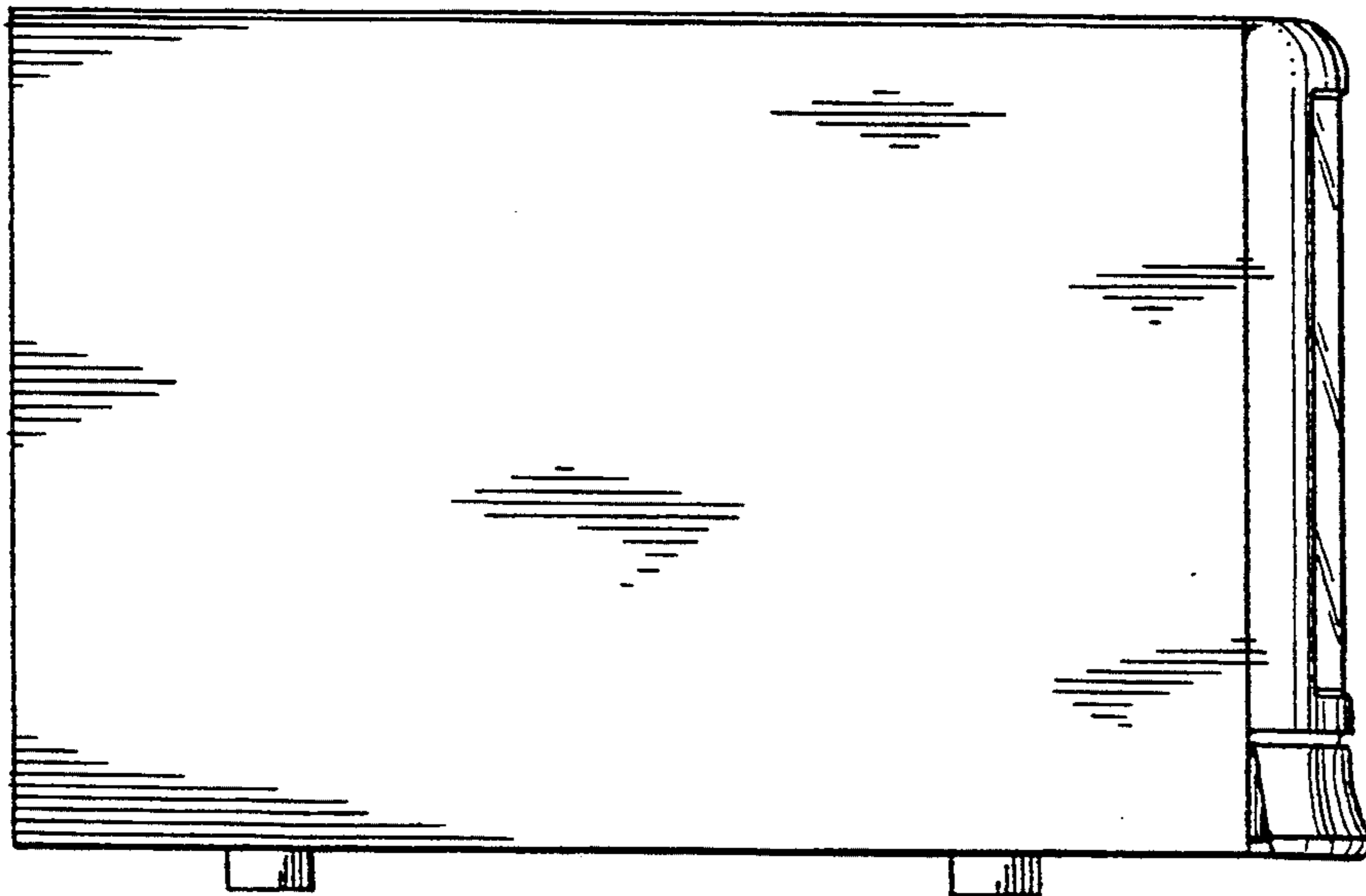


FIG. 7

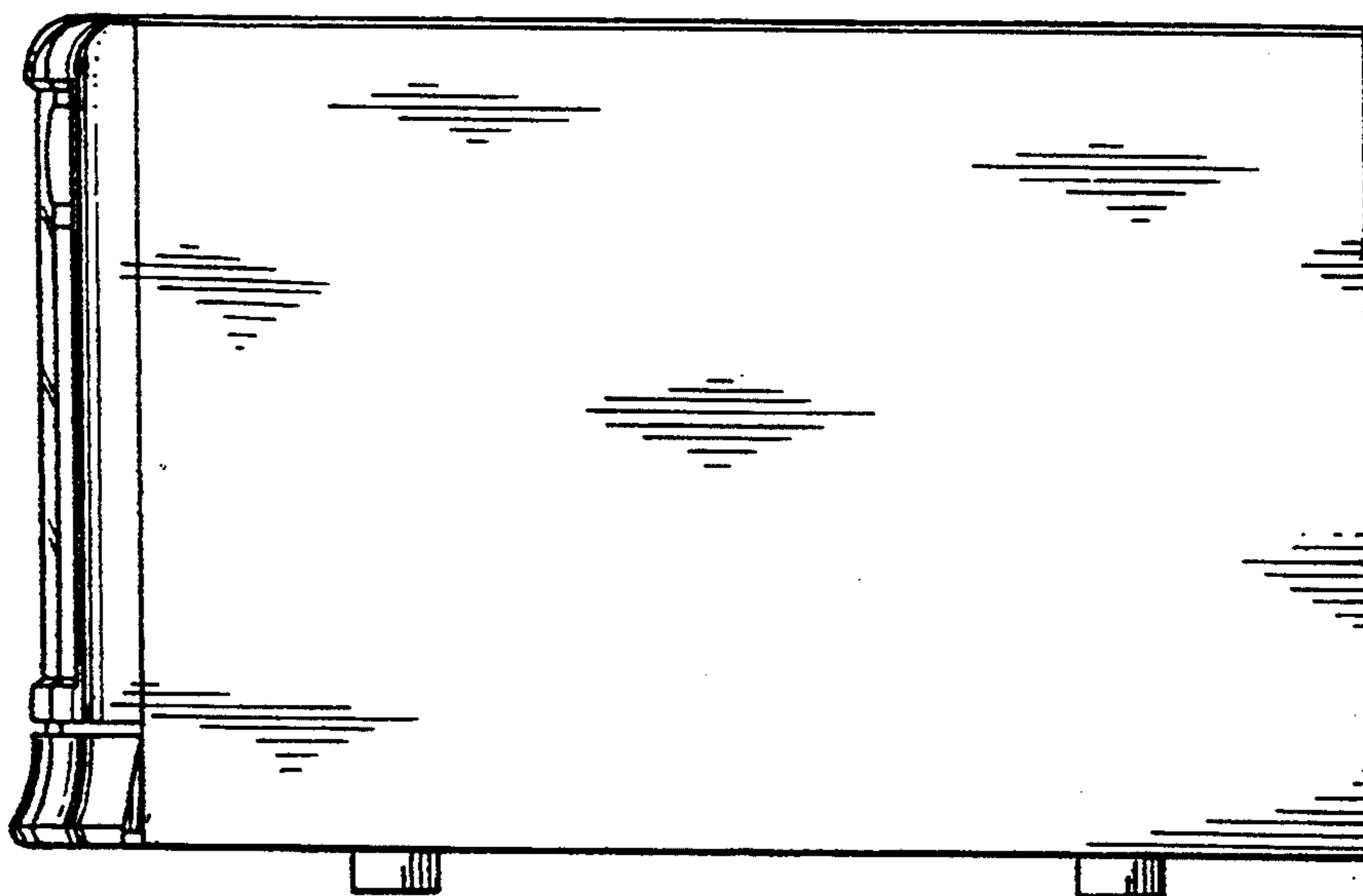


FIG. 8

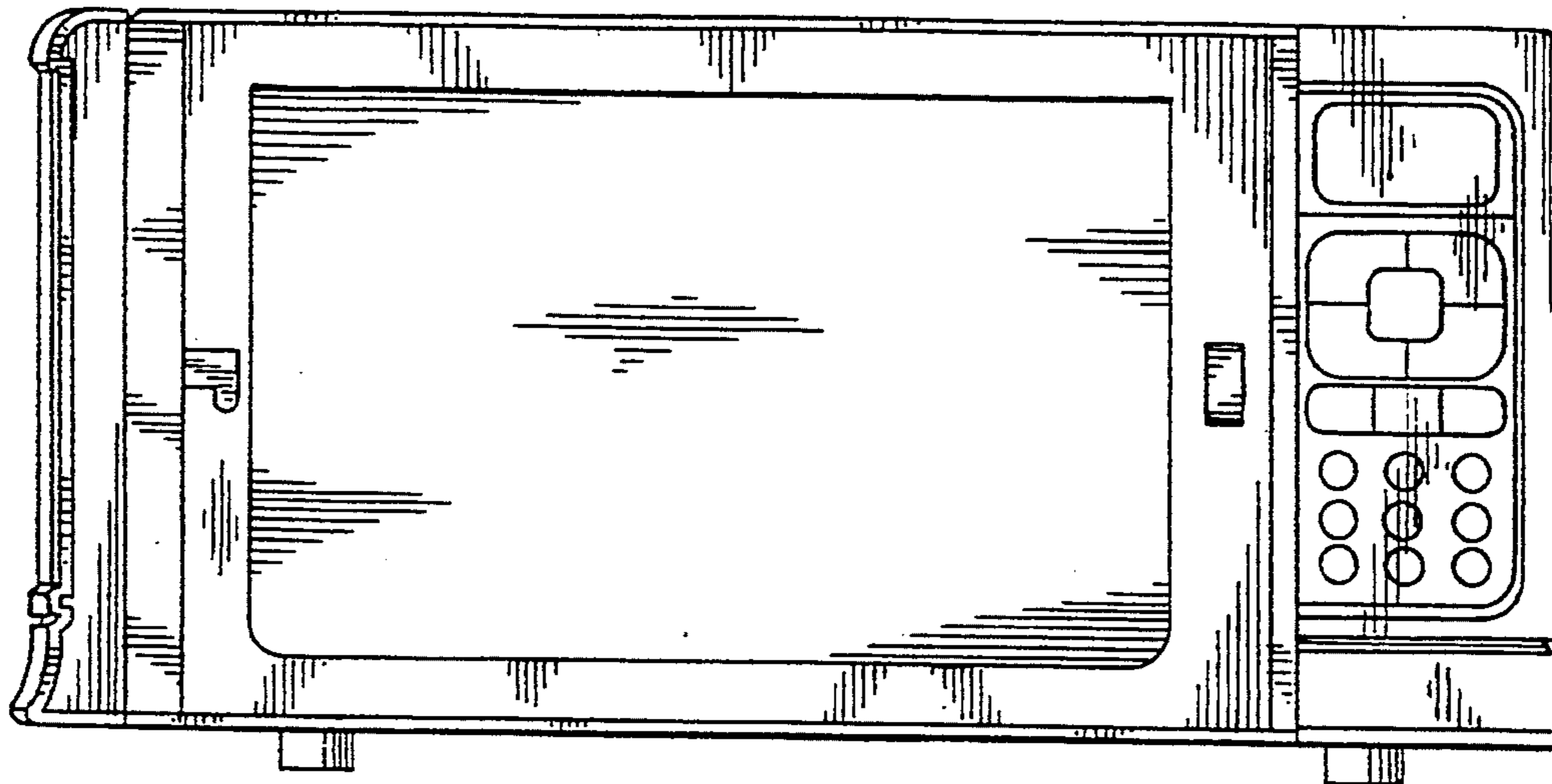


FIG. 9

