



US00D354411S

United States Patent [19]

Berkowitz et al.

[11] Patent Number: **Des. 354,411**

[45] Date of Patent: **** Jan. 17, 1995**

- [54] TABLE PEDESTAL
- [75] Inventors: **Alan J. Berkowitz**, Clayton; **Elliott W. Baum**, Maryland Heights; **Lucian N. Chirea**, St. Louis, all of Mo.
- [73] Assignee: **Berco Industries**, St. Louis, Mo.
- [**] Term: **14 Years**
- [21] Appl. No.: **7,038**
- [22] Filed: **Apr. 15, 1993**
- [52] U.S. Cl. **D6/498; D6/499**
- [58] Field of Search **D6/480-489, D6/495, 498, 499, 429; 108/153, 156, 161; 248/188, 188.1, 188.7, 188.8**

3,244,128 4/1966 Rogalski et al. 248/188.7 X
 3,366,079 1/1968 Koransky et al. D6/498 X
 3,537,670 11/1970 Dronne 248/188.7

OTHER PUBLICATIONS

Mirrochrome—Jan. 17, 1951, p. 8, #22 at top left.
 Domus—May 1988, p. 14 of ads.
 Brown Jordan ©1986, p. 20 #1777-4200 Table at left.
 Telescope ©1970, p. 42, No. 240 at top left.

Primary Examiner—Janice E. Seeger
Attorney, Agent, or Firm—Paul M. Denk

[57] CLAIM

The ornamental design for the table pedestal, as shown and described.

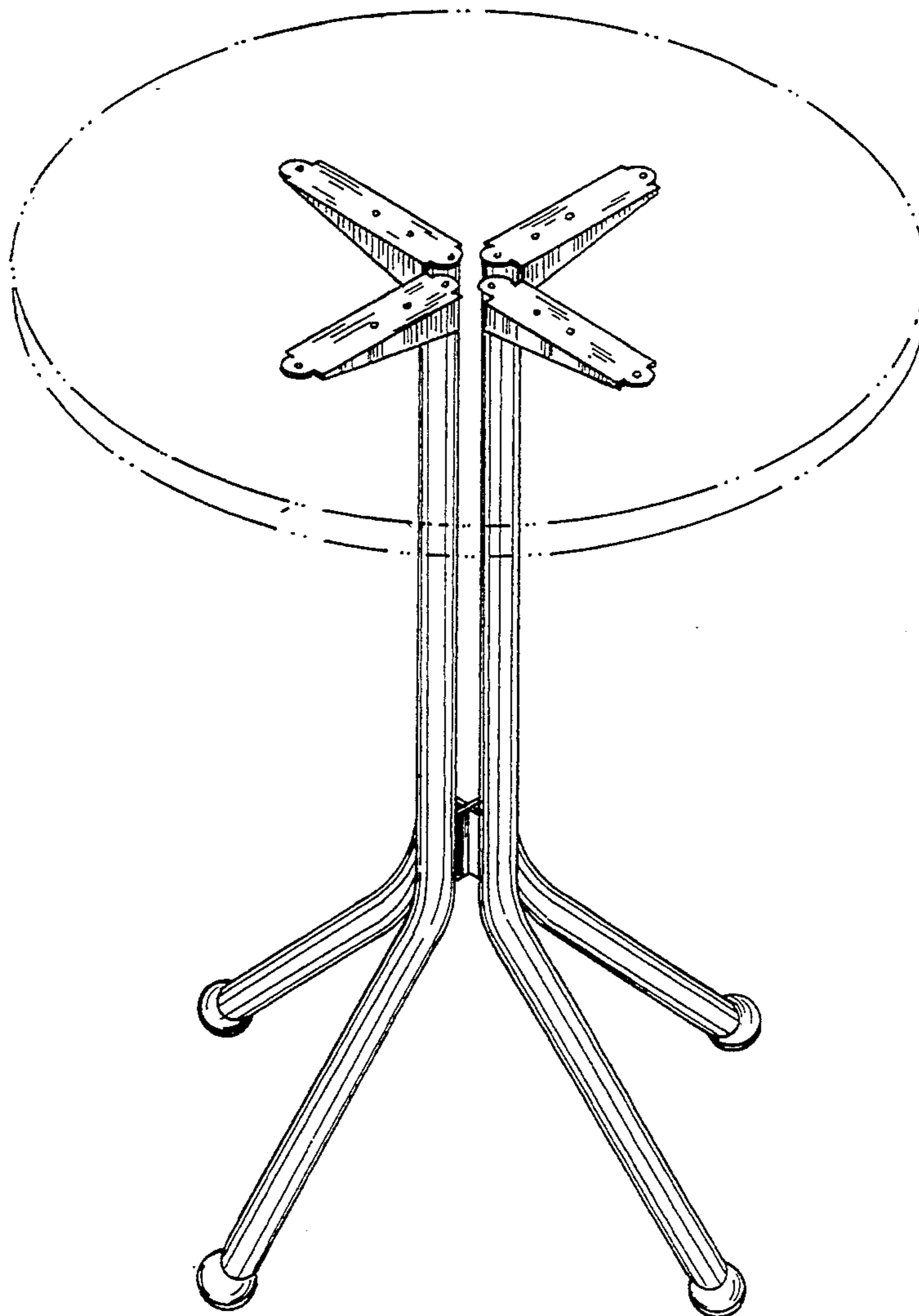
[56] References Cited

U.S. PATENT DOCUMENTS

- D. 226,546 3/1973 Priefert D6/499
- D. 281,039 10/1985 Hurst D6/487 X
- 2,544,615 3/1951 Raymond 108/144
- 2,562,022 7/1951 Duer 248/188.7

DESCRIPTION

FIG. 1 is a perspective view of a table pedestal, showing our new design, the broken lines are for environmental purposes only, and form no part of the claimed design; FIG. 2 is a top view thereof; and, FIG. 3 is a bottom view thereof.



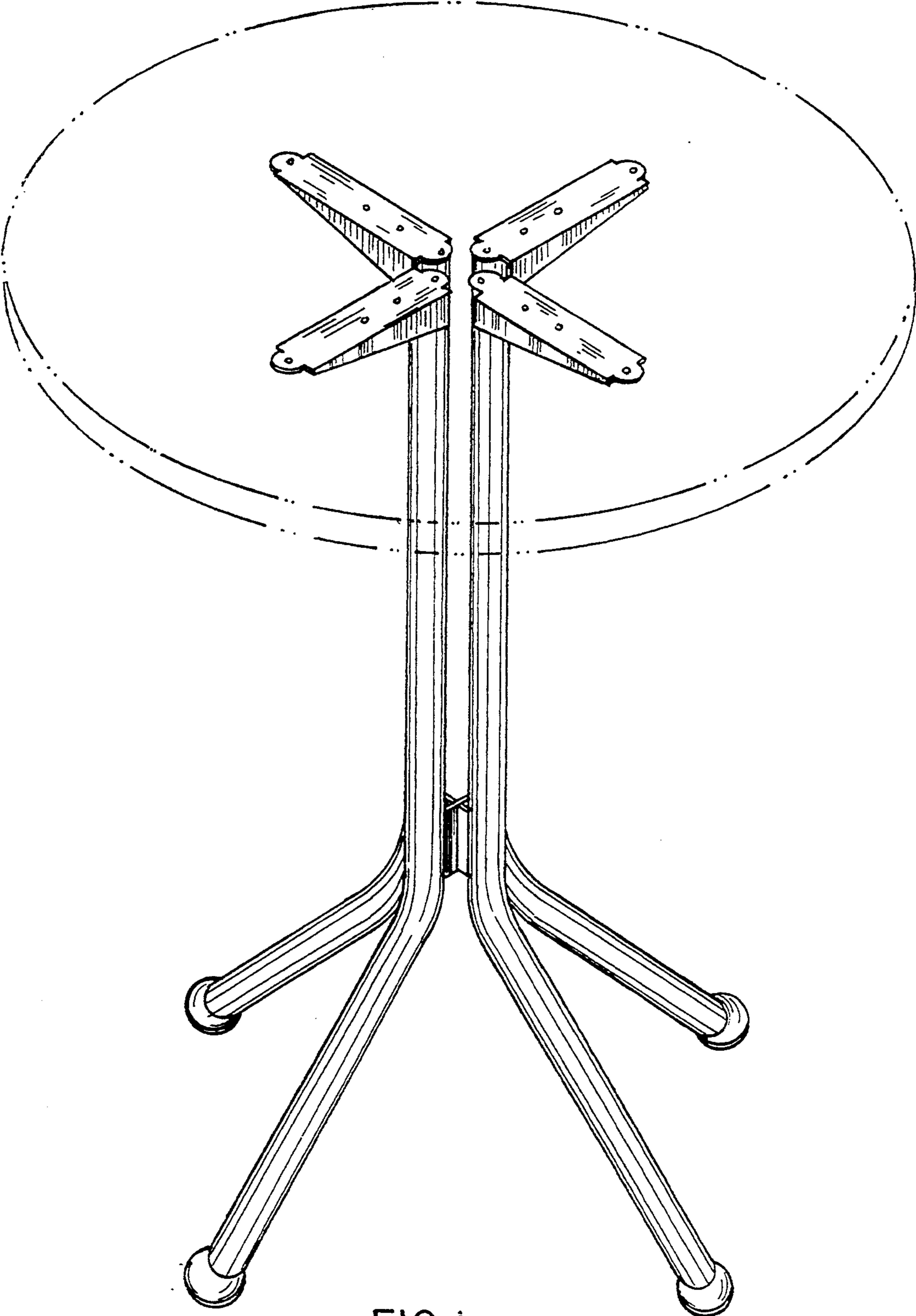


FIG. 1.

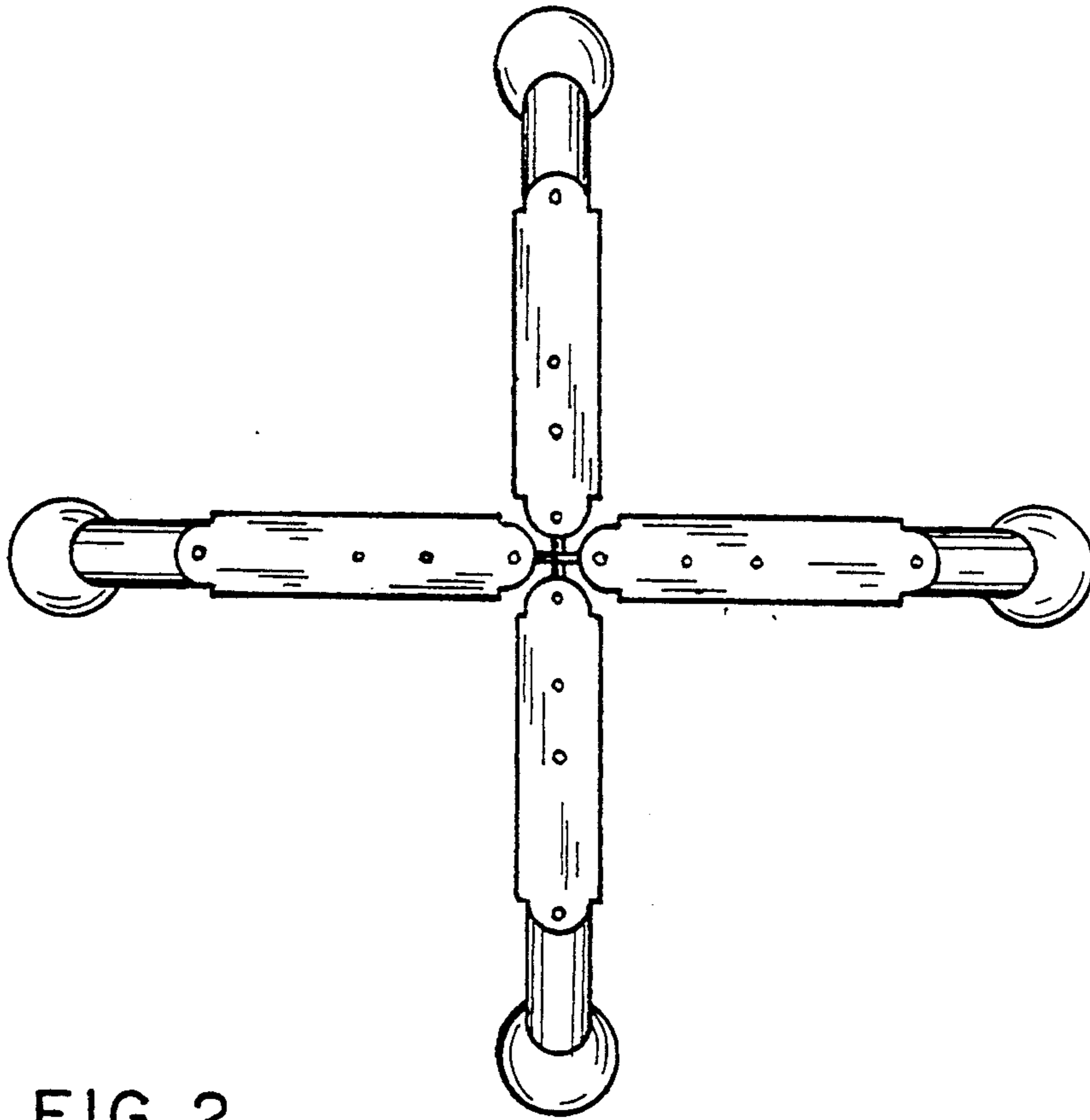


FIG. 2.

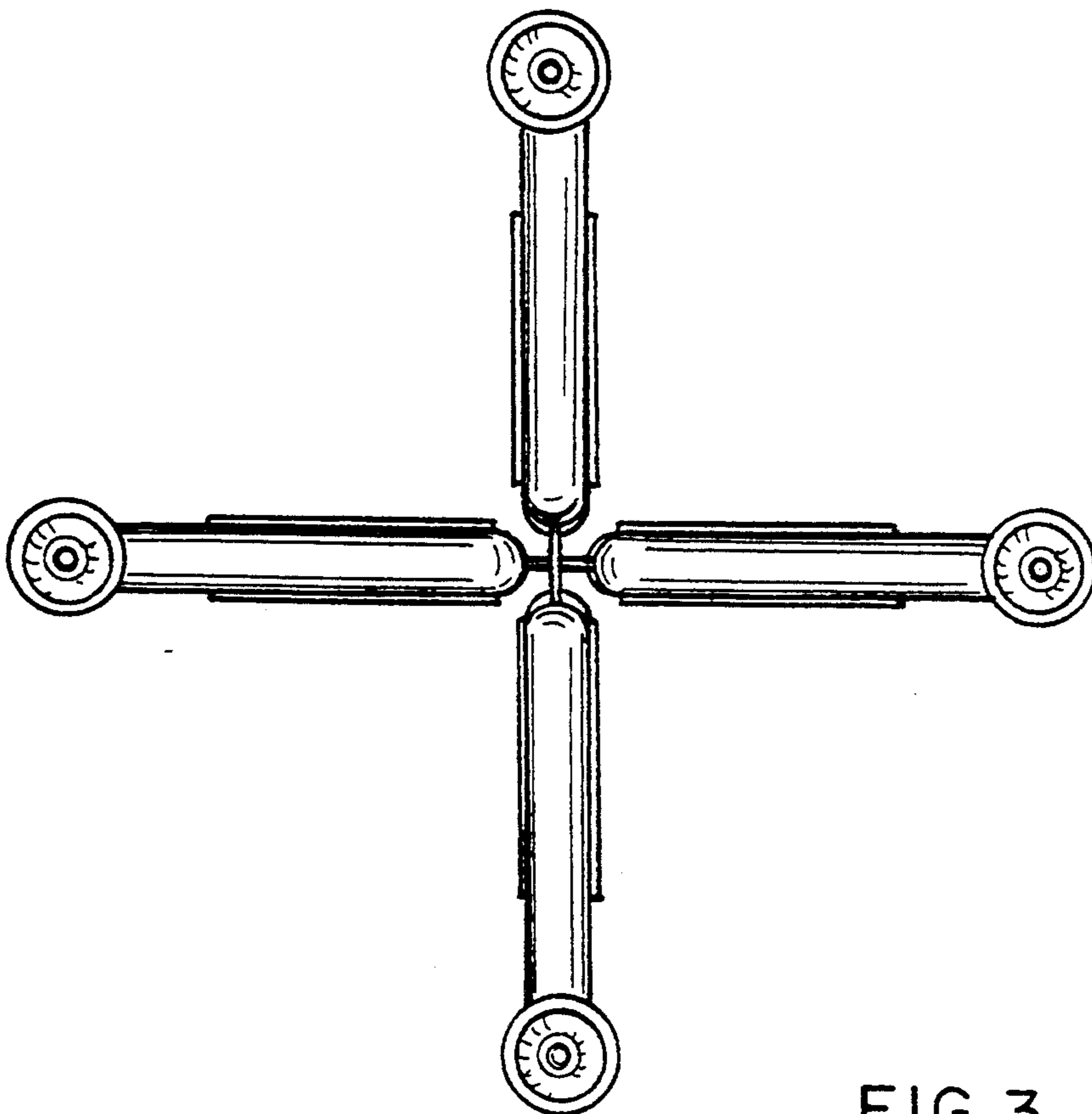


FIG. 3.