



US00D354408S

United States Patent [19] Kelley

[11] Patent Number: Des. 354,408

[45] Date of Patent: ** Jan. 17, 1995

[54] DESK
 [75] Inventor: James O. Kelley, Spring Lake, Mich.
 [73] Assignee: Sligh Furniture Co., Holland, Mich.
 [**] Term: 14 Years
 [21] Appl. No.: 885,407
 [22] Filed: May 19, 1992
 [52] U.S. Cl. D6/426; D6/427
 [58] Field of Search D6/422-428;
 312/194-196; 108/1-9

[56] **References Cited**

U.S. PATENT DOCUMENTS

D. 169,375 4/1953 Knoll D6/427
 D. 240,785 8/1976 Robinson D6/427
 D. 251,526 4/1979 Zapf D6/426
 D. 327,791 7/1992 Lechmon D6/426

OTHER PUBLICATIONS

OSI-TR Series 1984, back cover; secretarial desk on page.
 D & F 1989-Desk Series p. 15; desk and return top right on page.

Primary Examiner—Alan P. Douglas

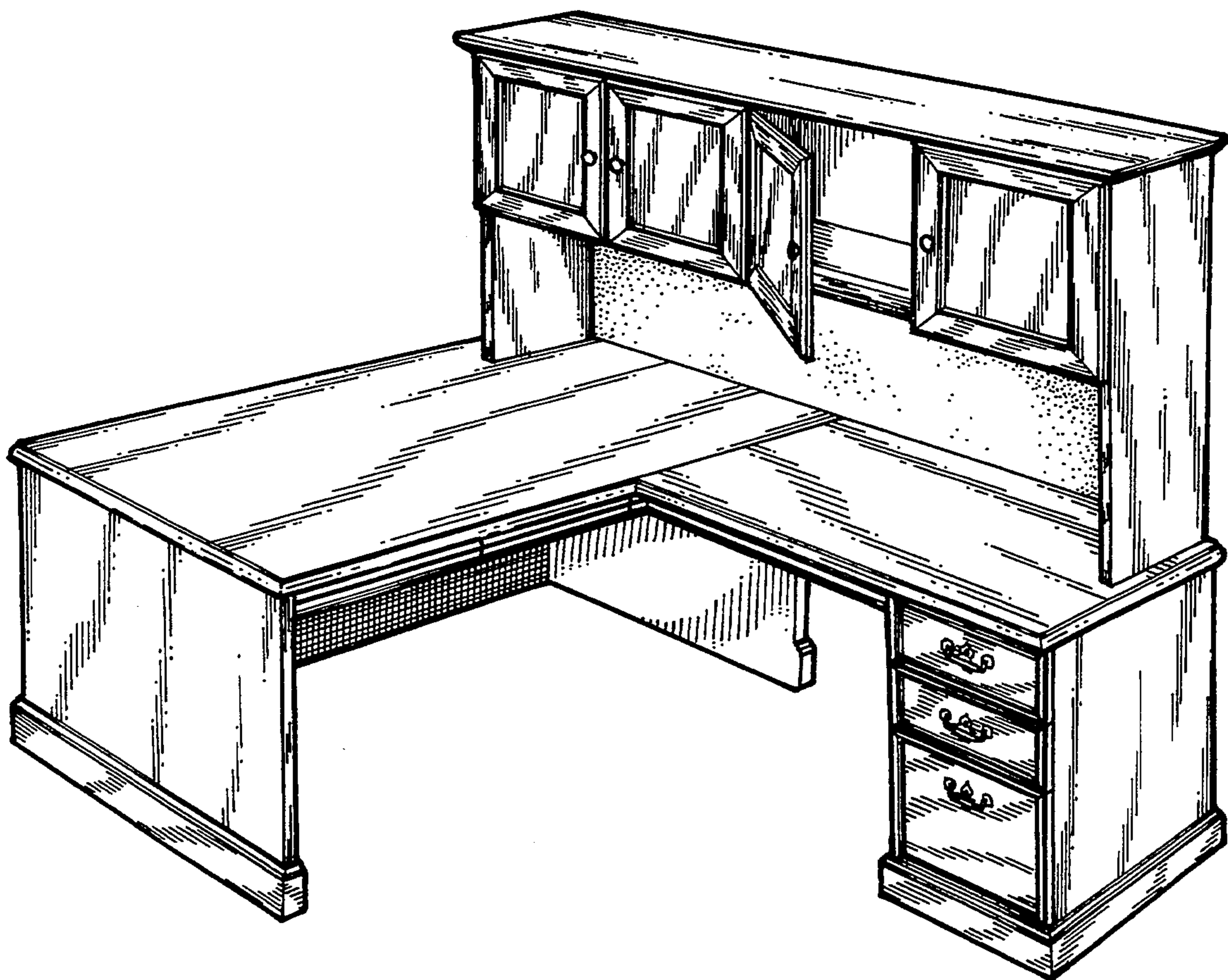
Assistant Examiner—Jeffrey Asch
Attorney, Agent, or Firm—Waters & Morse

[57] **CLAIM**

The ornamental design for a desk, as shown and described.

DESCRIPTION

FIG. 1 is a perspective view of a desk showing my new design with one of the over desk cabinet doors shown partially open;
 FIG. 2 is a left side elevational view thereof;
 FIG. 3 is a top plan view thereof;
 FIG. 4 is a right side elevational view thereof;
 FIG. 5 is a front elevational view thereof;
 FIG. 6 is a rear elevational view thereof;
 FIG. 7 is a sectional view showing the edge profile of the area designated by numeral VII in FIG. 2;
 FIG. 8 is a partial sectional view showing the edge profile of the area designated by numeral VIII in FIG. 2;
 FIG. 9 is a partial sectional view showing the edge profile of the area designated by numeral IX in FIG. 2;
 FIG. 10 is a sectional view showing the edge profile of the area designated by numeral X in FIG. 2; and,
 FIG. 11 is a front elevated view of the area designated by numeral XI in FIG. 2.



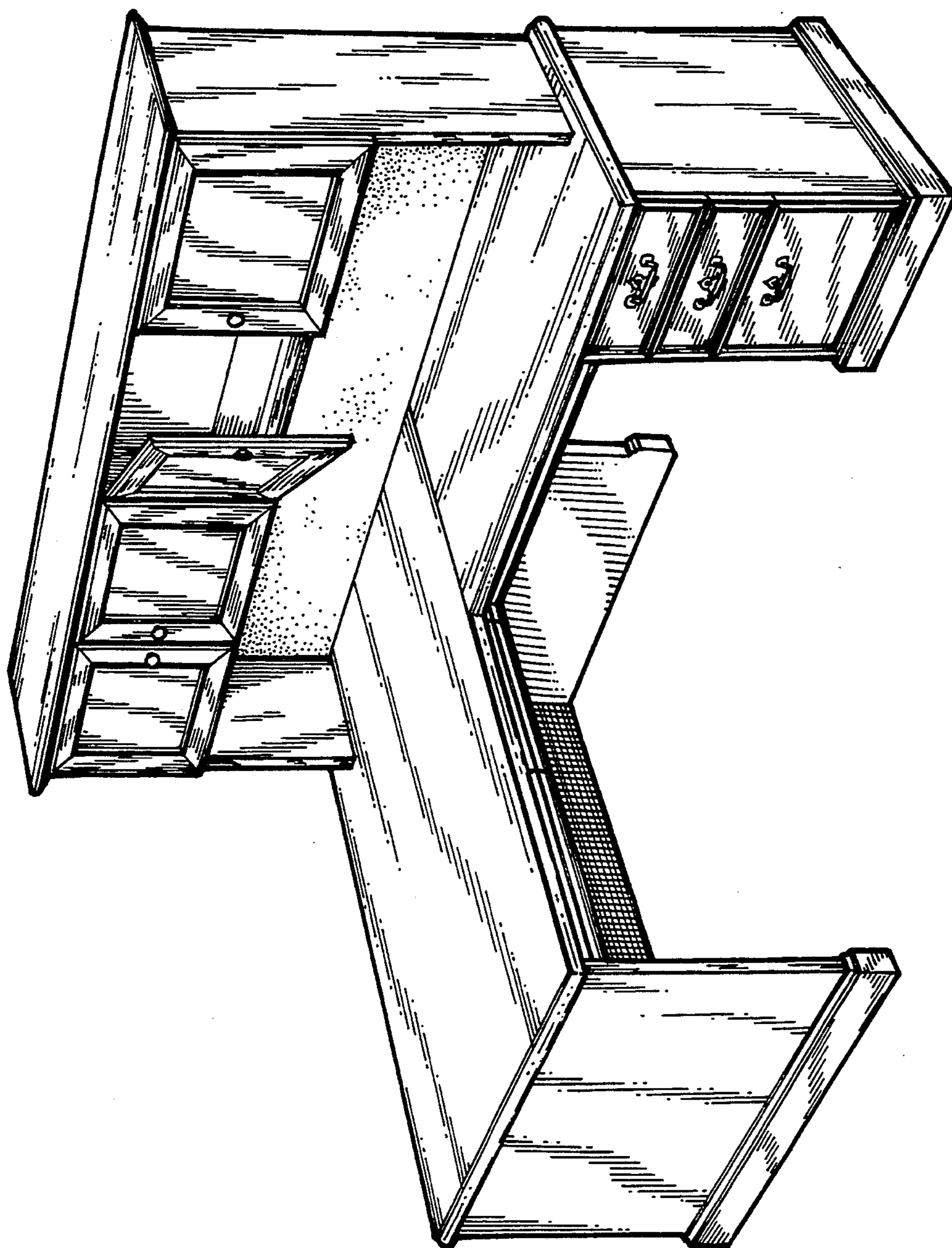


FIG. 1

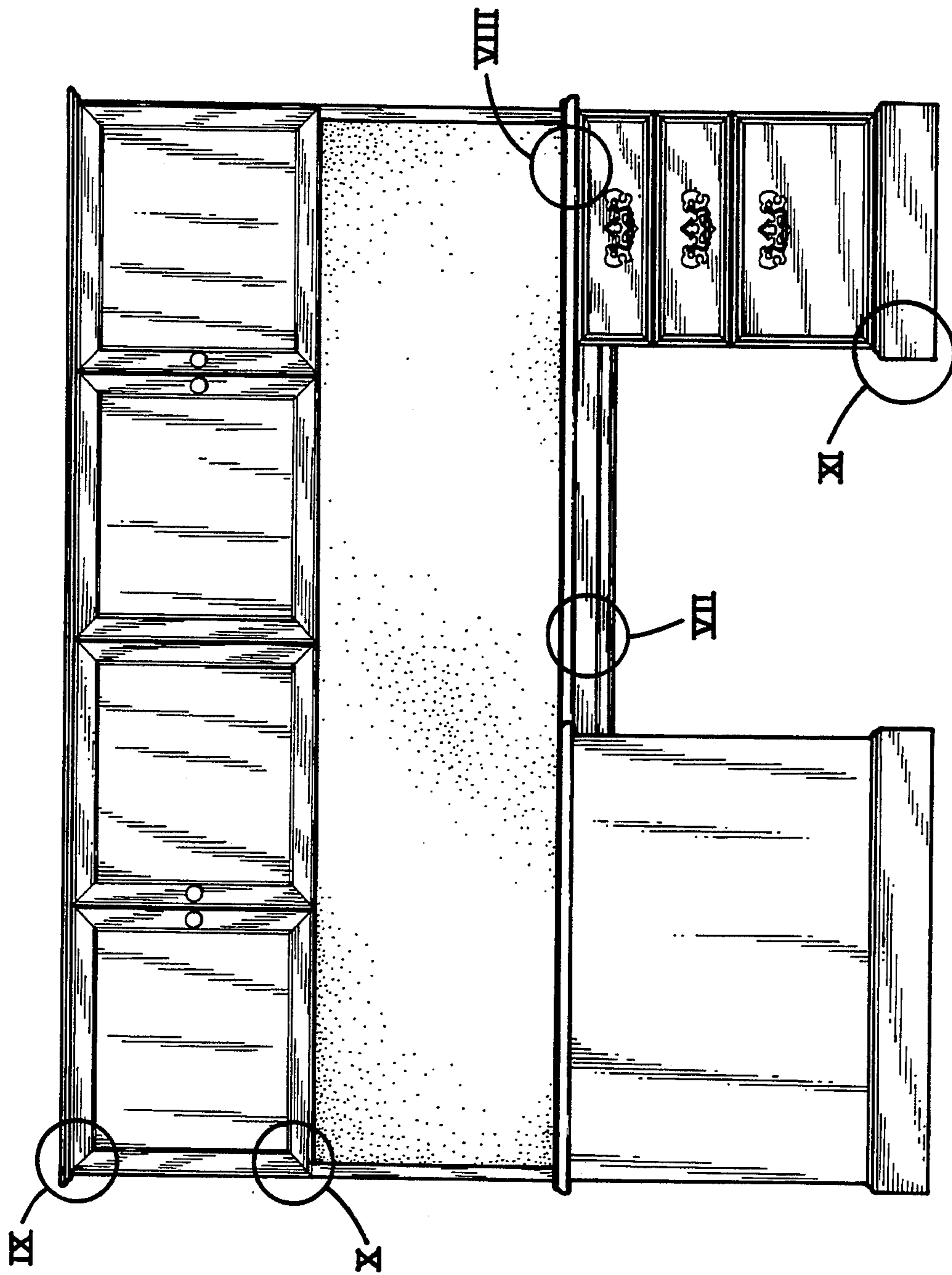


FIG. 2

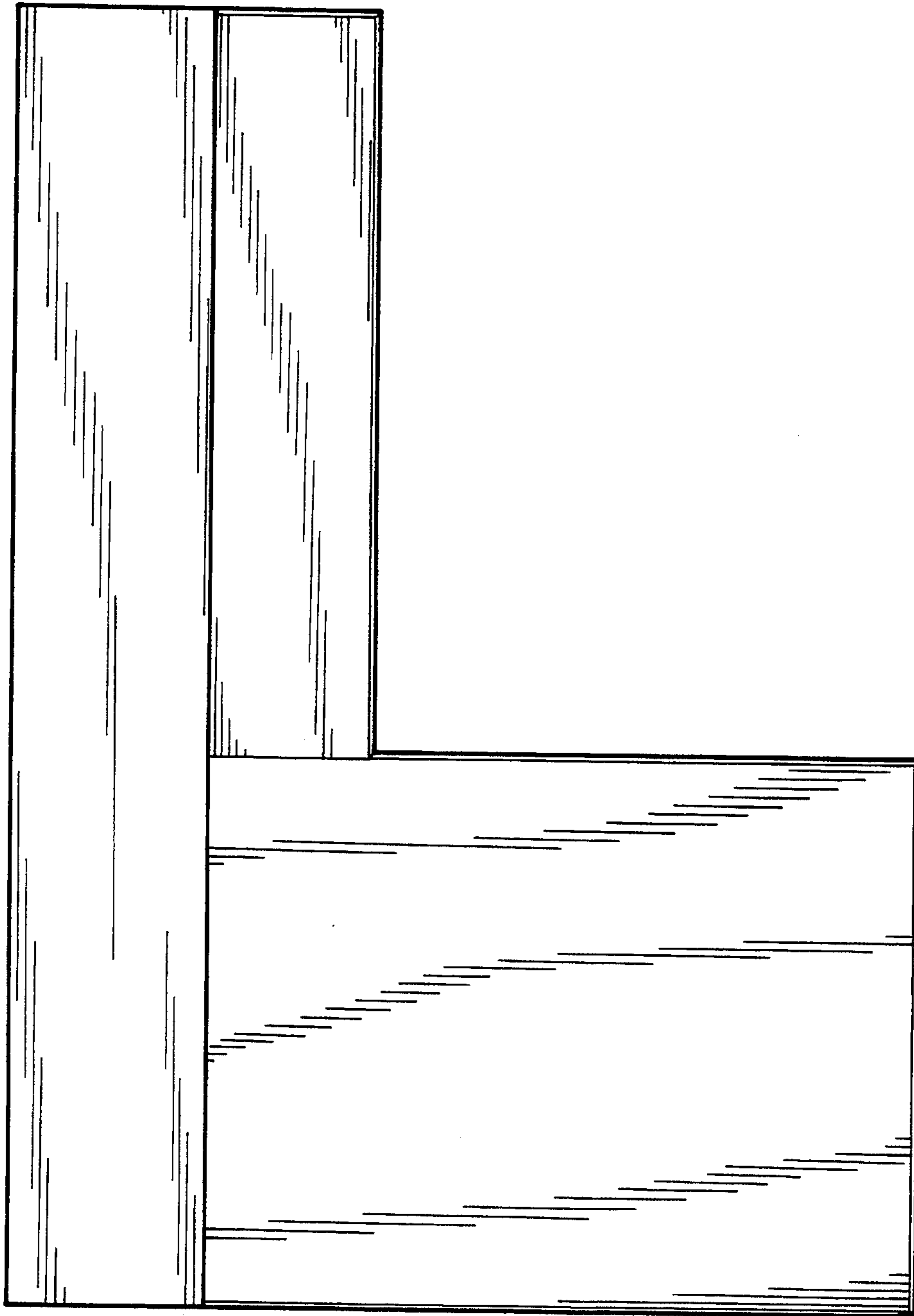


FIG. 3

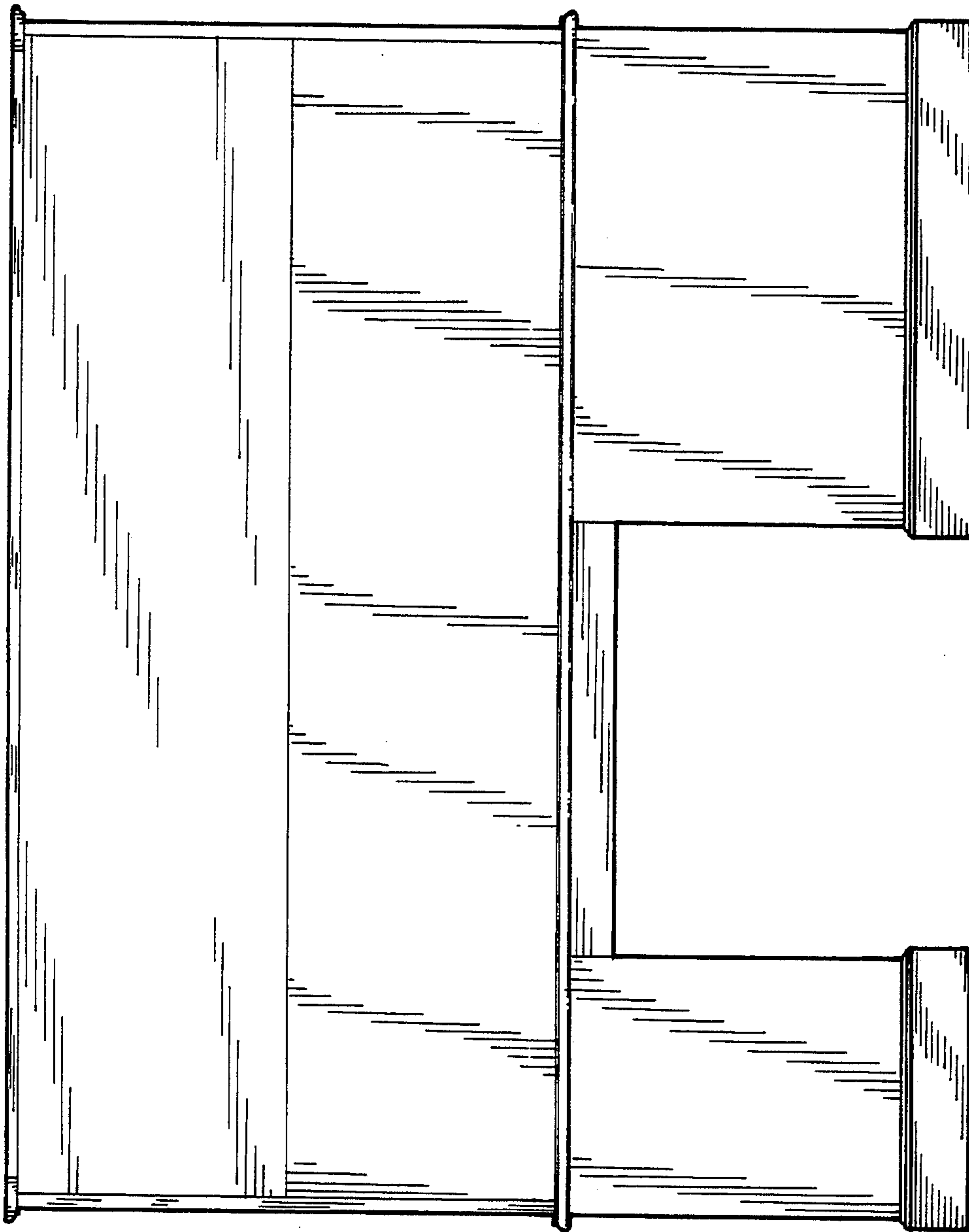


FIG. 4

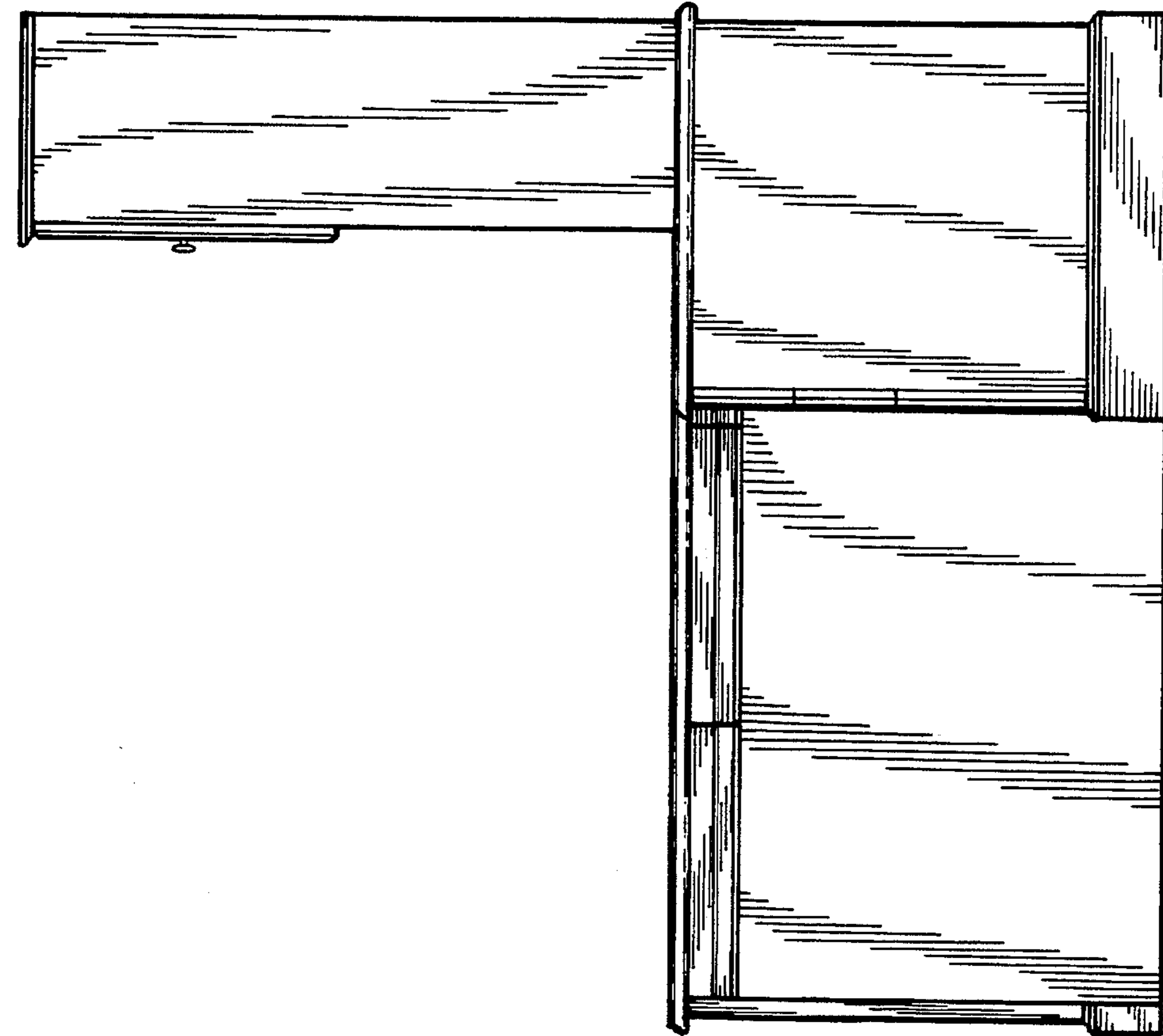


FIG. 5

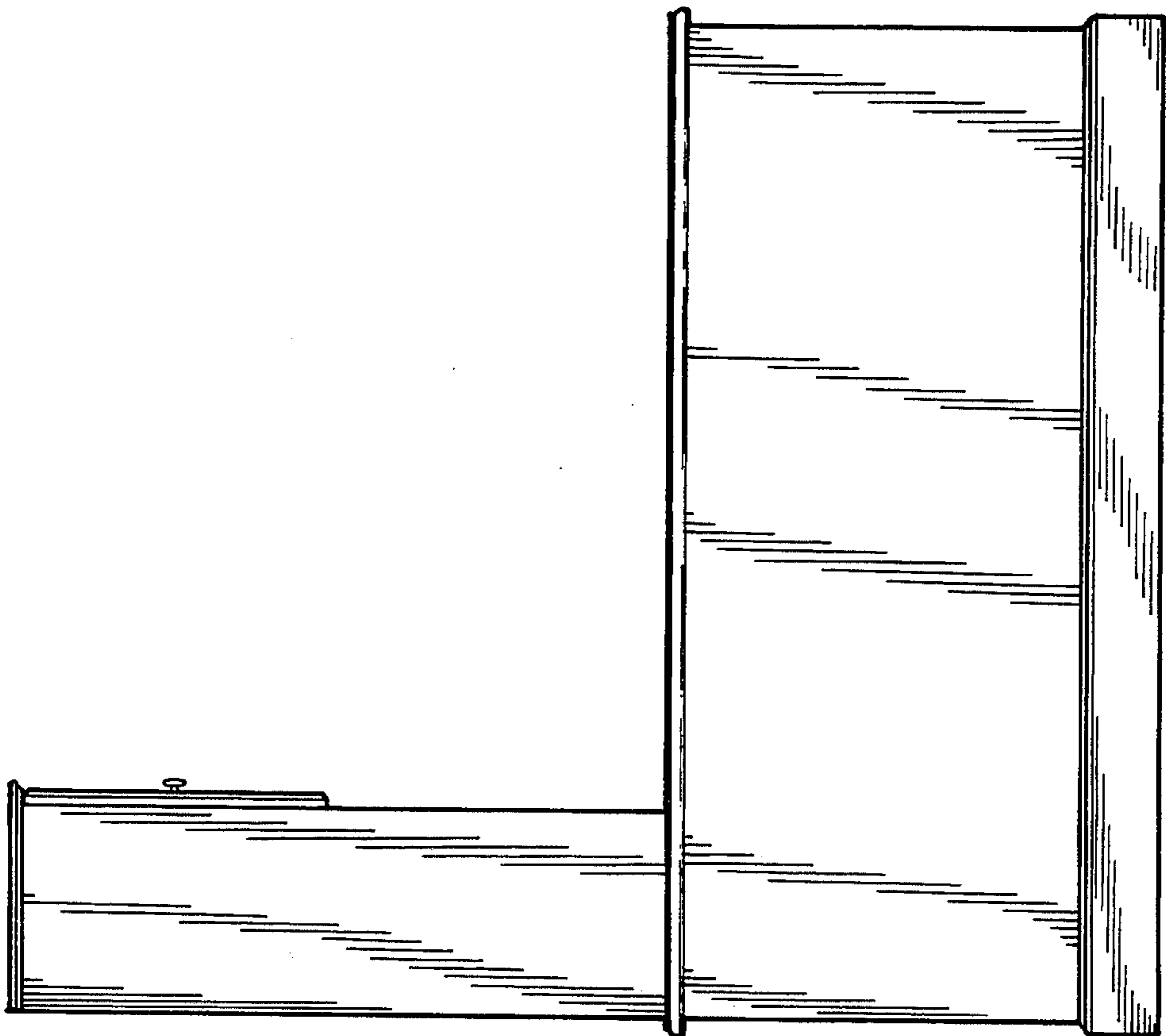


FIG. 6

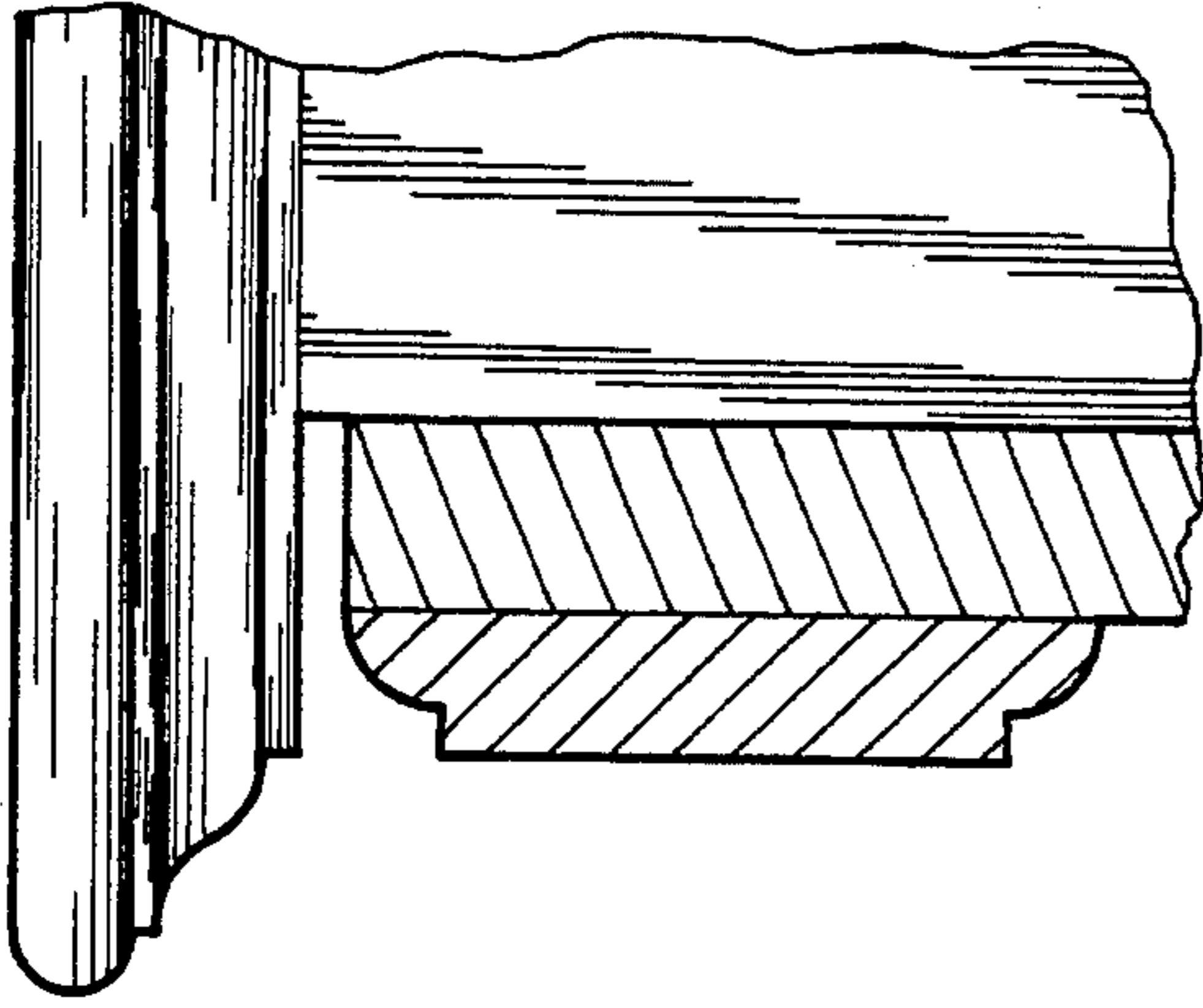


FIG. 9

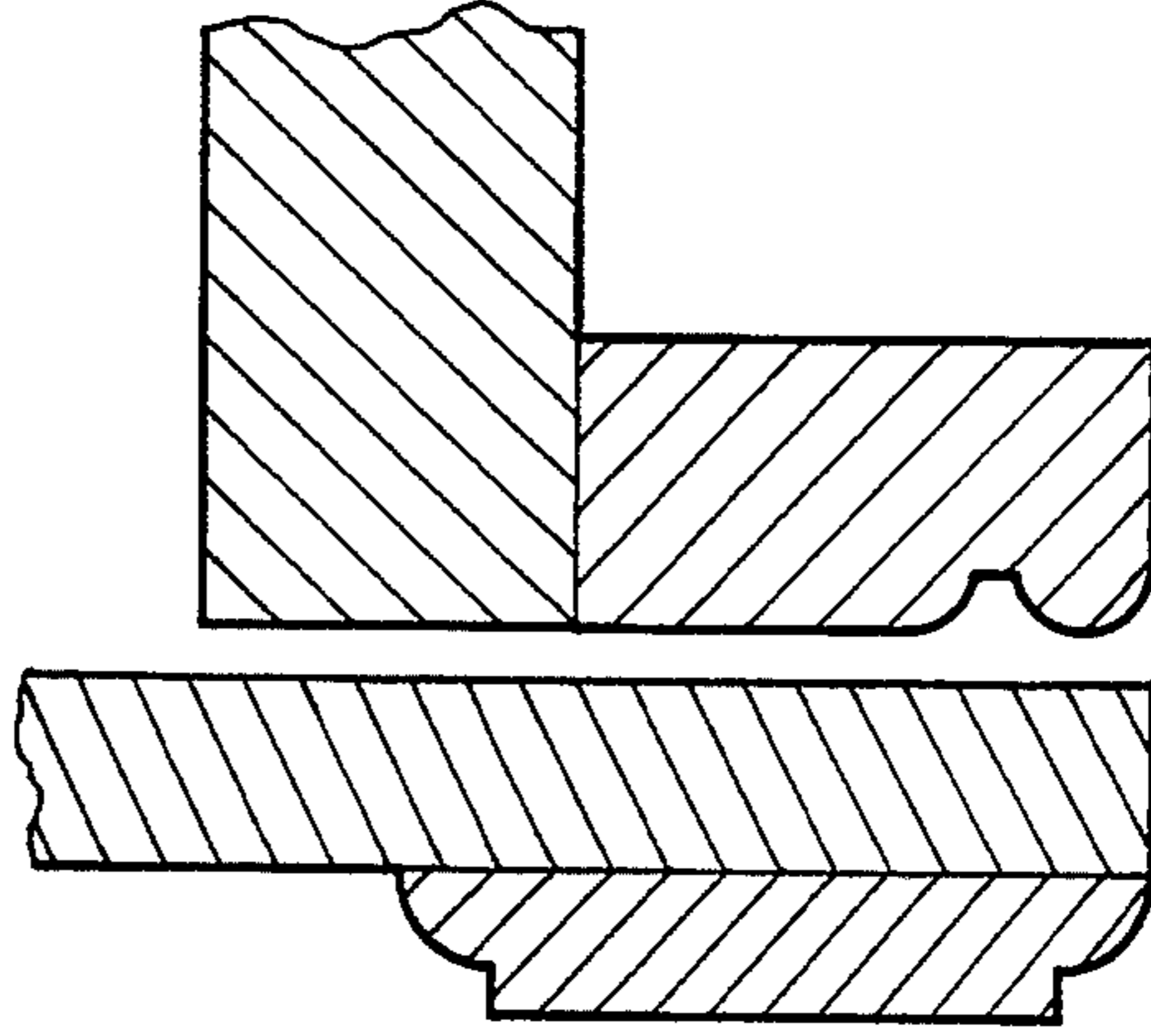


FIG. 10

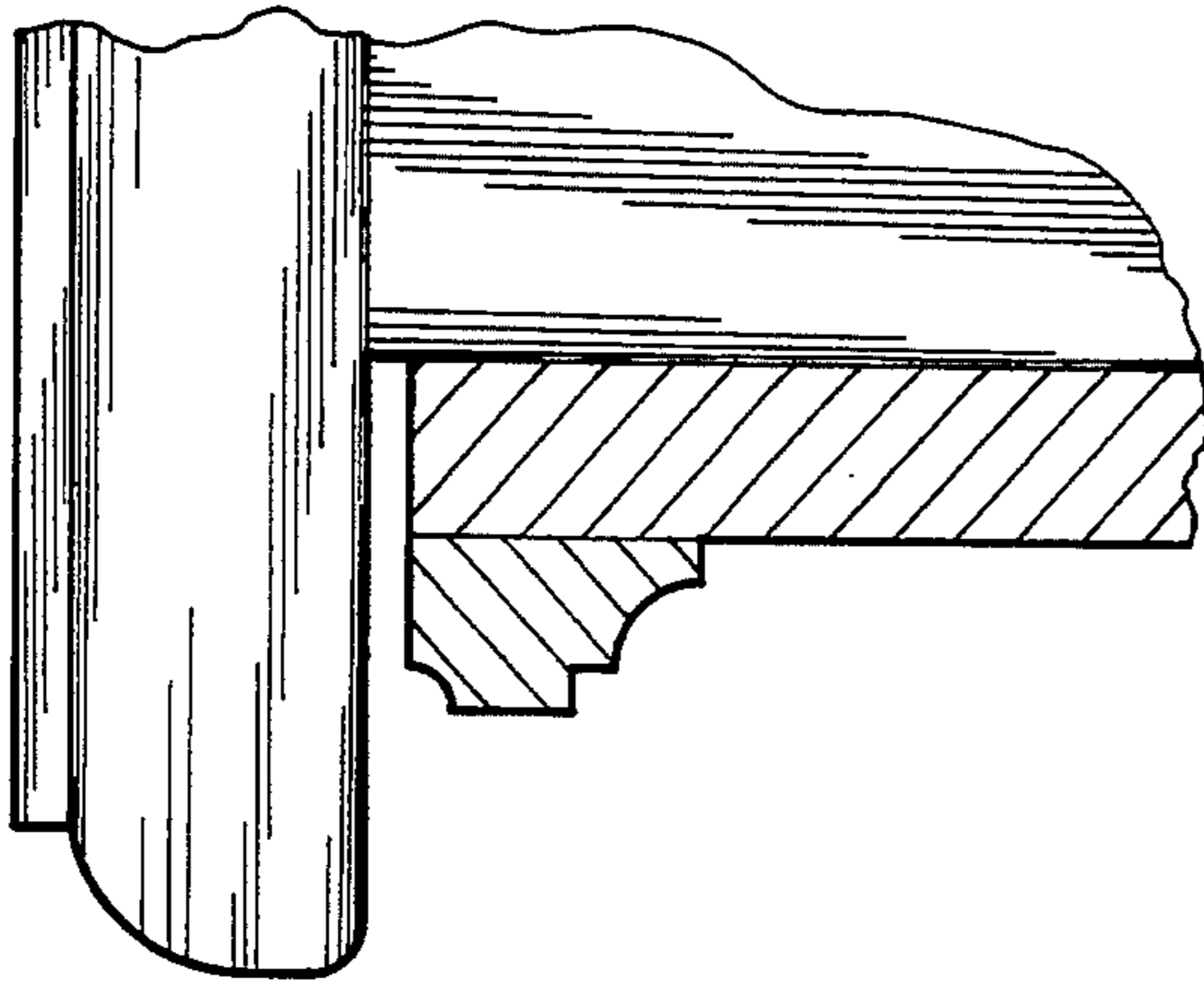


FIG. 8

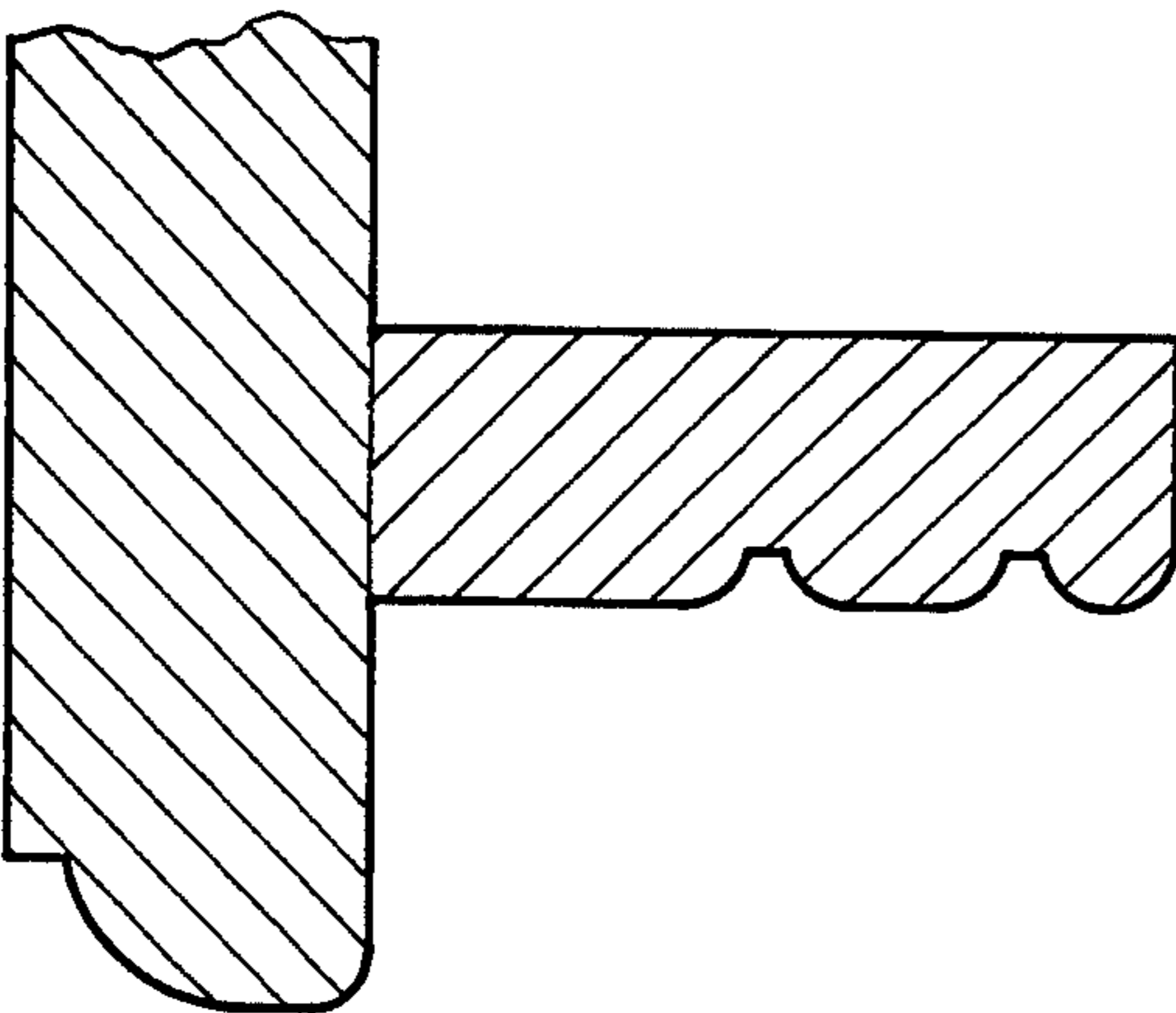


FIG. 7

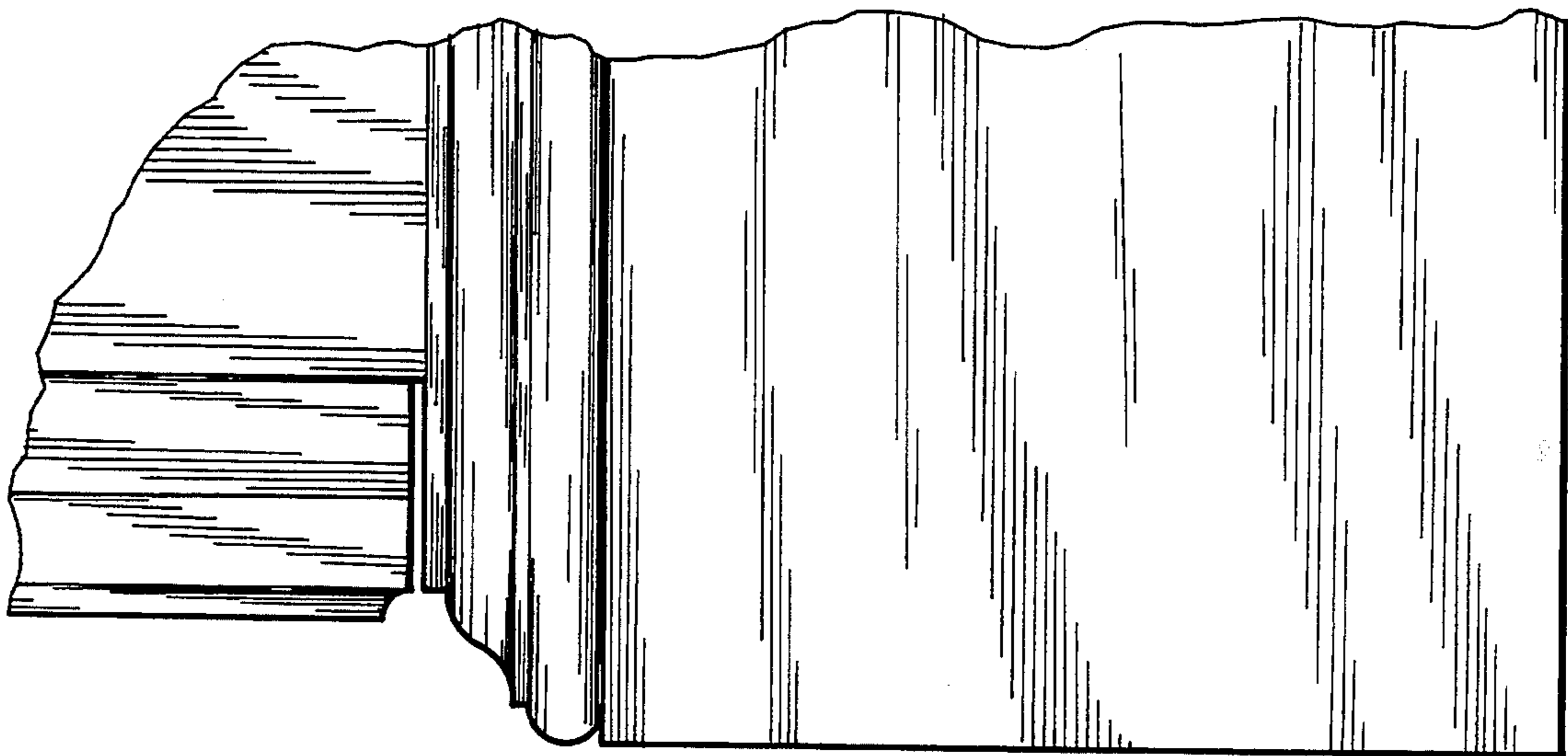


FIG. 11