



US00D354407S

United States Patent [19]

[11] Patent Number: Des. 354,407

Baloga et al.

[45] Date of Patent: ** Jan. 17, 1995

[54] WORKSPACE MODULE

3712214 10/1987 Germany .
5813073 1/1975 United Kingdom .

[75] Inventors: Mark A. Baloga, Grand Rapids, Mich.; Paul B. Siebert, Chicago, Ill.; Michael E. Tingley, Cambridge, Mass.

OTHER PUBLICATIONS

"Japanese Furniture Looks Toward The Future" by Itoki Co., Ltd., Contract Magazine, pp. 116 & 117 dated Jan. 1989.

[73] Assignee: Steelcase Inc., Grand Rapids, Mich.

Primary Examiner—Alan P. Douglas
Assistant Examiner—Jeffrey Asch
Attorney, Agent, or Firm—Price, Heneveld, Cooper, DeWitt & Litton

[**] Term: 14 Years

[21] Appl. No.: 819,513

[22] Filed: Jan. 10, 1992

[57] CLAIM

[52] U.S. Cl. D6/421; D25/16

The ornamental design for a workspace module, as shown and described.

[58] Field of Search D6/421, 332, 422-428; 108/59, 60; D25/16; 160/133, 134, 135

[56] References Cited

DESCRIPTION

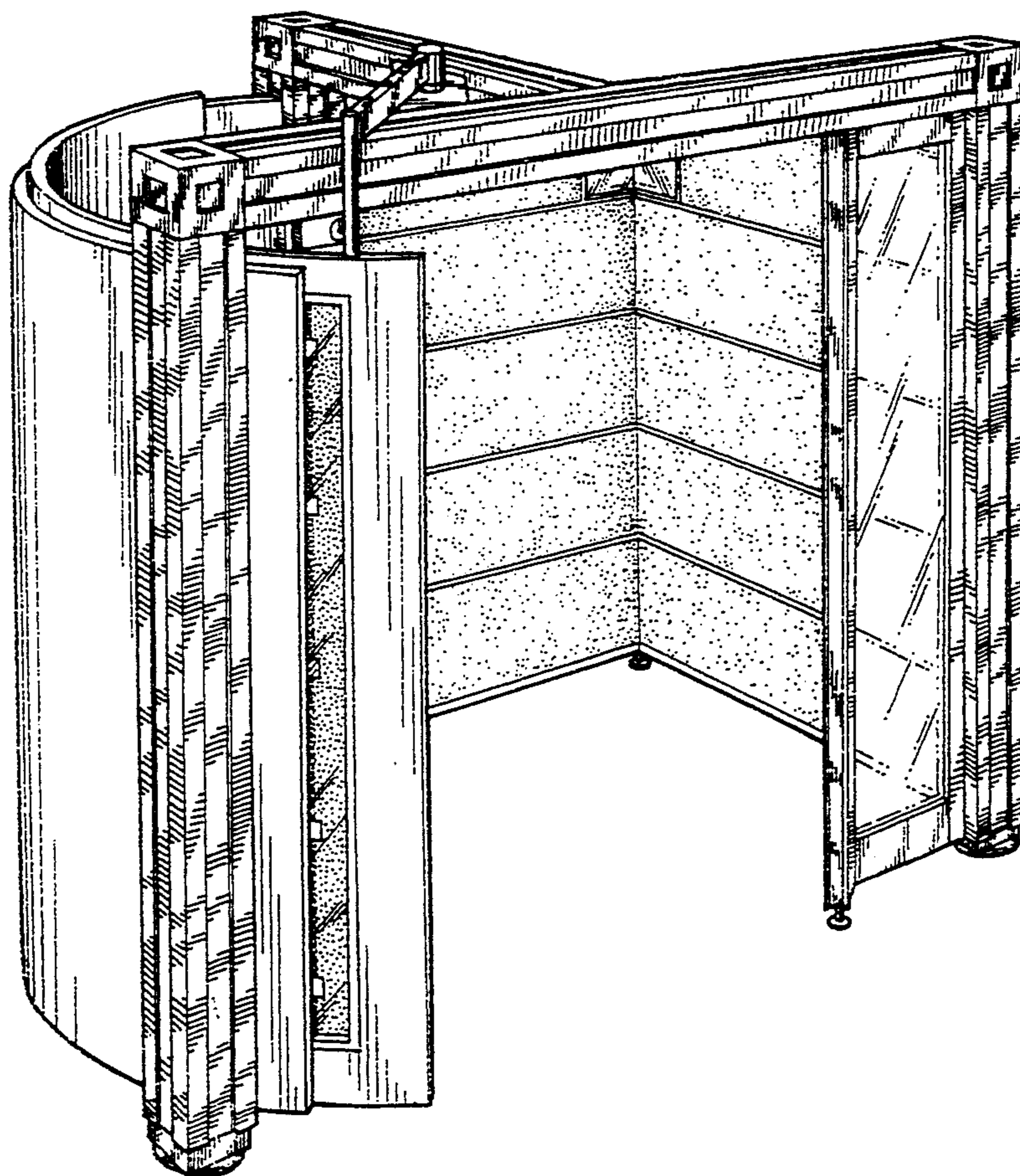
U.S. PATENT DOCUMENTS

FIG. 1 is a perspective view of a workspace module showing our new design;
FIG. 2 is a perspective view with the door in a closed position;
FIG. 3 is a top plan view of FIG. 2;
FIG. 4 is a left side elevational view thereof;
FIG. 5 is a front elevational view thereof;
FIG. 6 is a rear elevational view thereof;
FIG. 7 is a right side elevational view thereof; and,
FIG. 8 is a bottom plan view thereof.

D. 103,564	3/1937	Craig	D6/419
D. 302,362	7/1989	Armstrong	D6/421
D. 304,529	11/1989	Hontz	D6/421
D. 331,843	12/1992	Sakow	D6/421
3,862,525	1/1975	Greenspan	52/64

FOREIGN PATENT DOCUMENTS

3423562A1 1/1986 Germany .



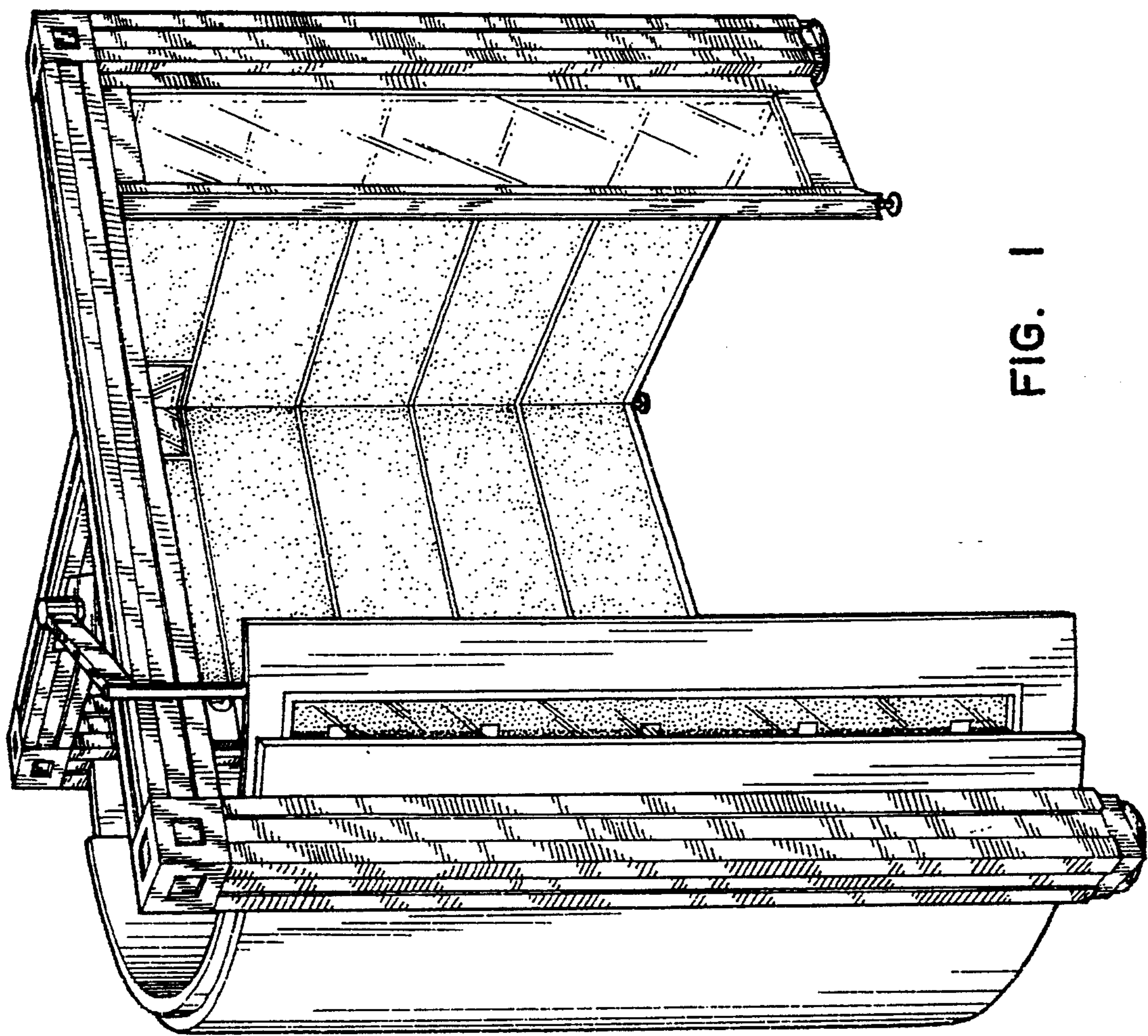


FIG. 1

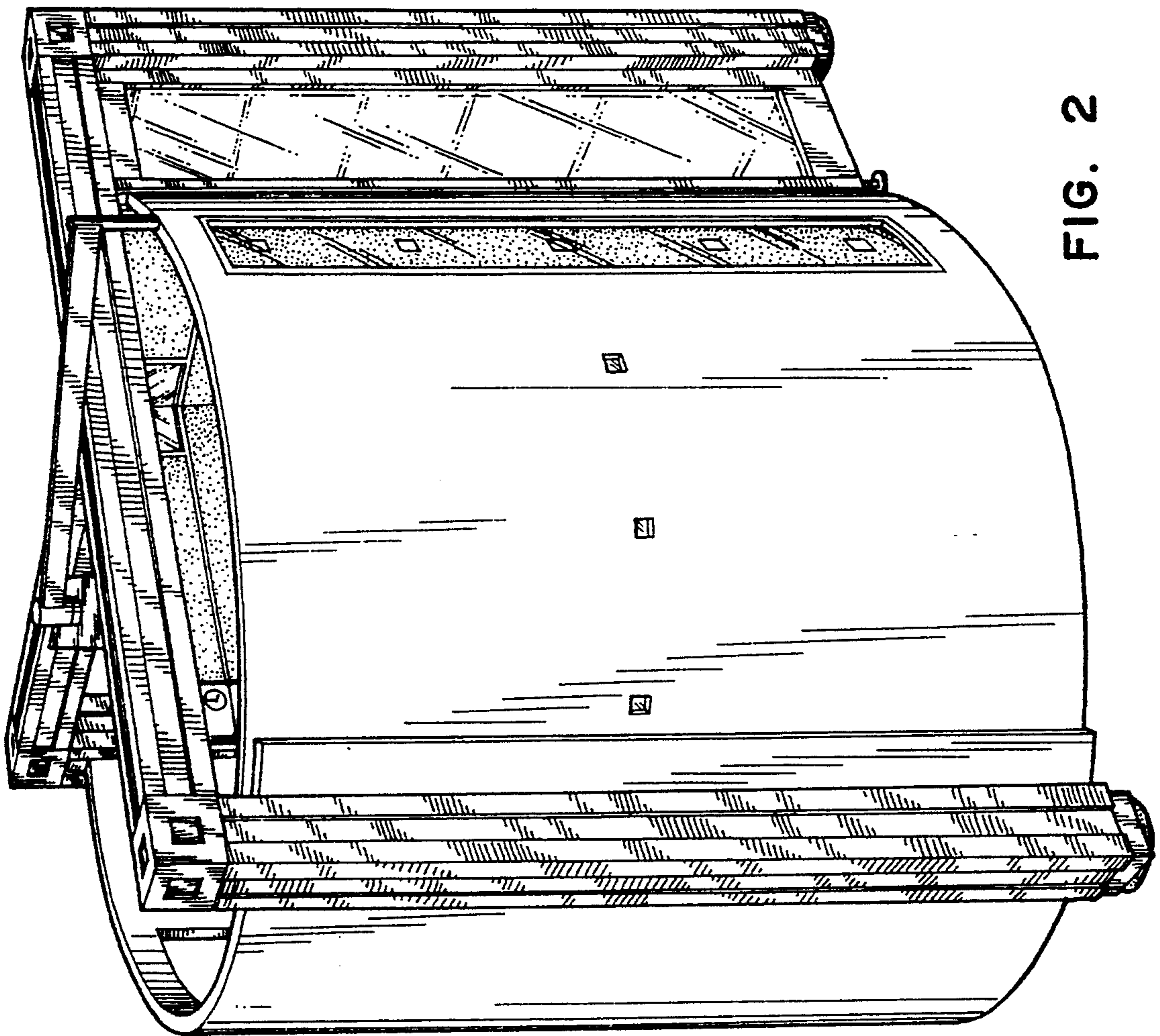


FIG. 2

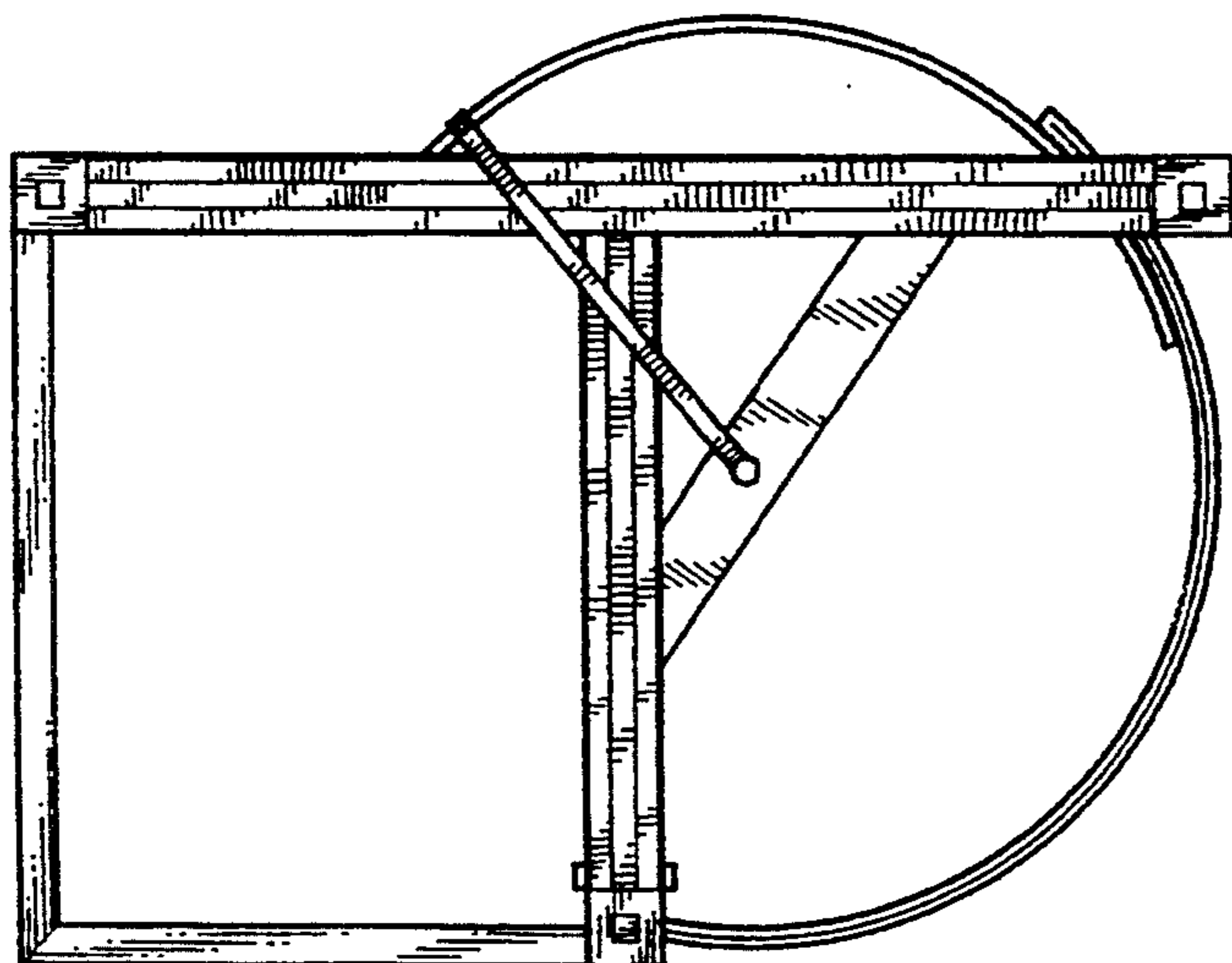


FIG. 3

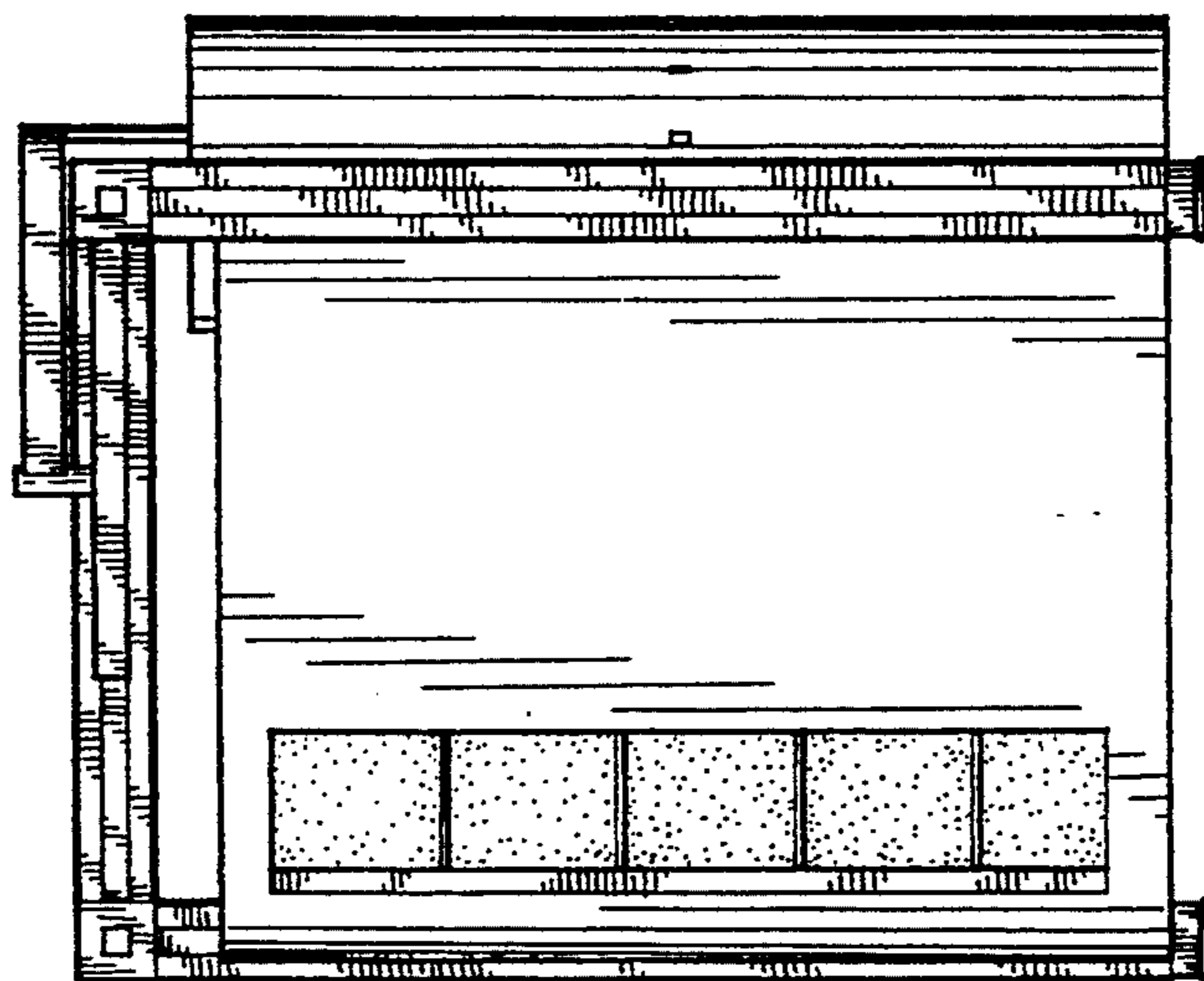


FIG. 4

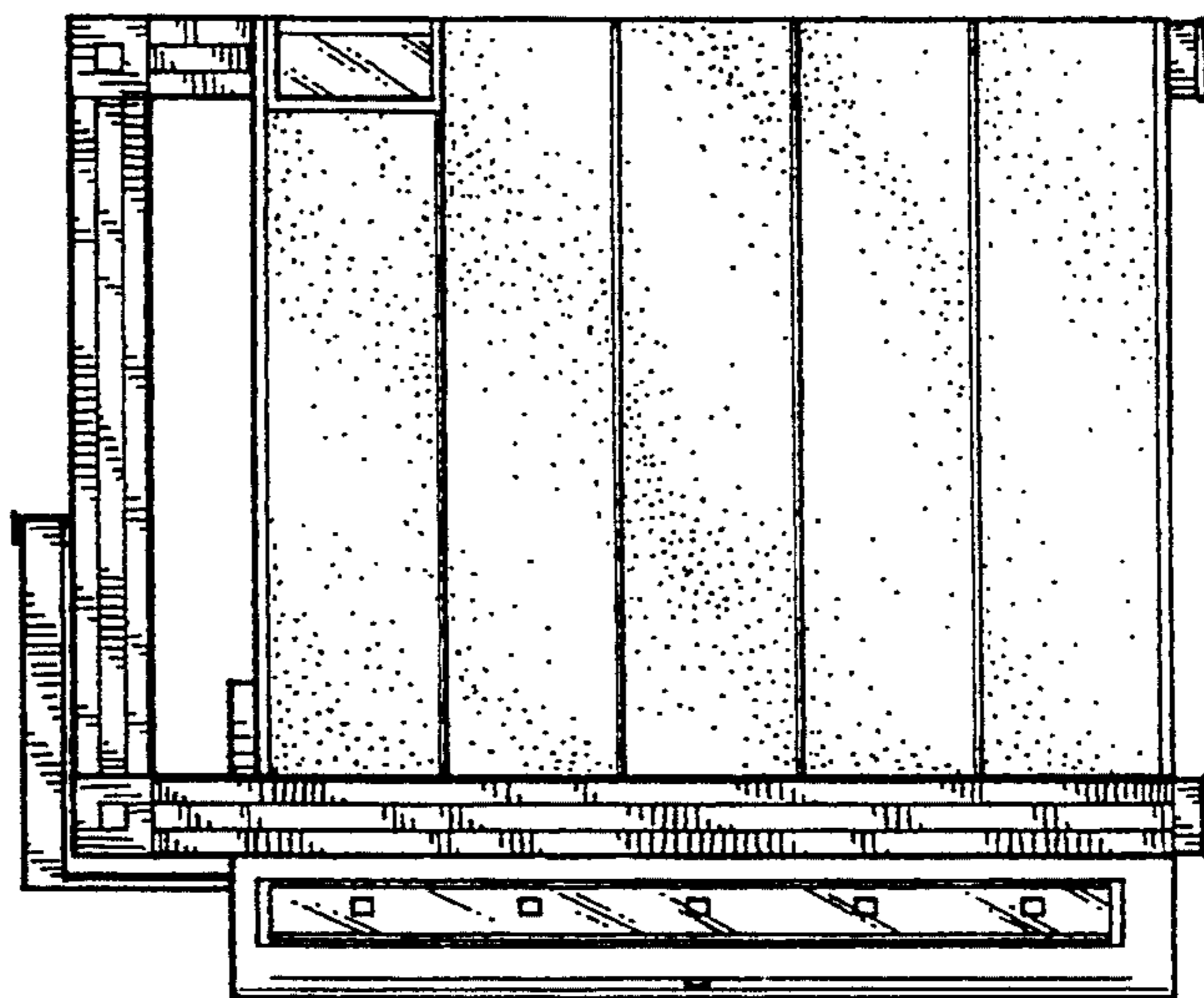


FIG. 7

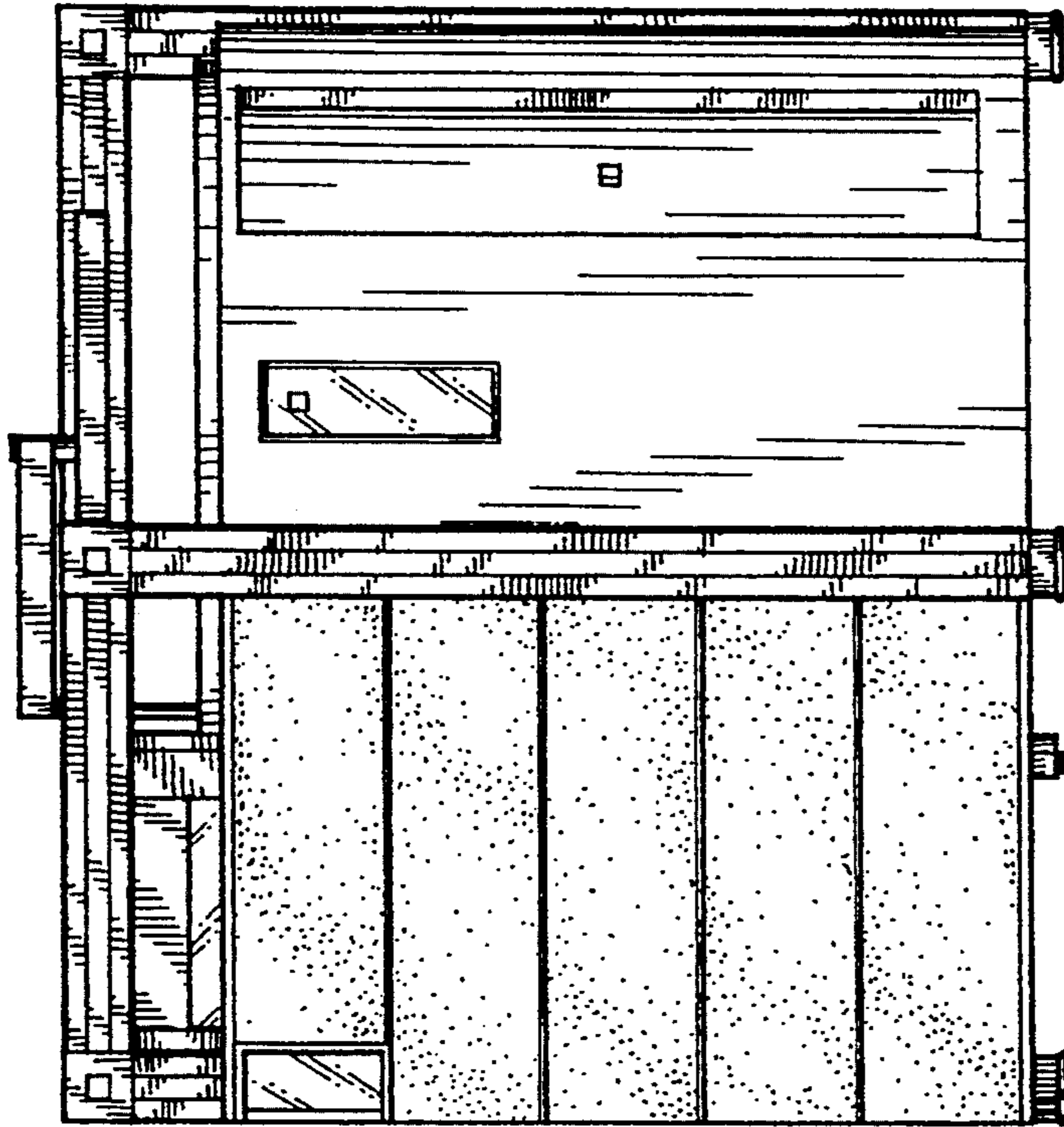


FIG. 6

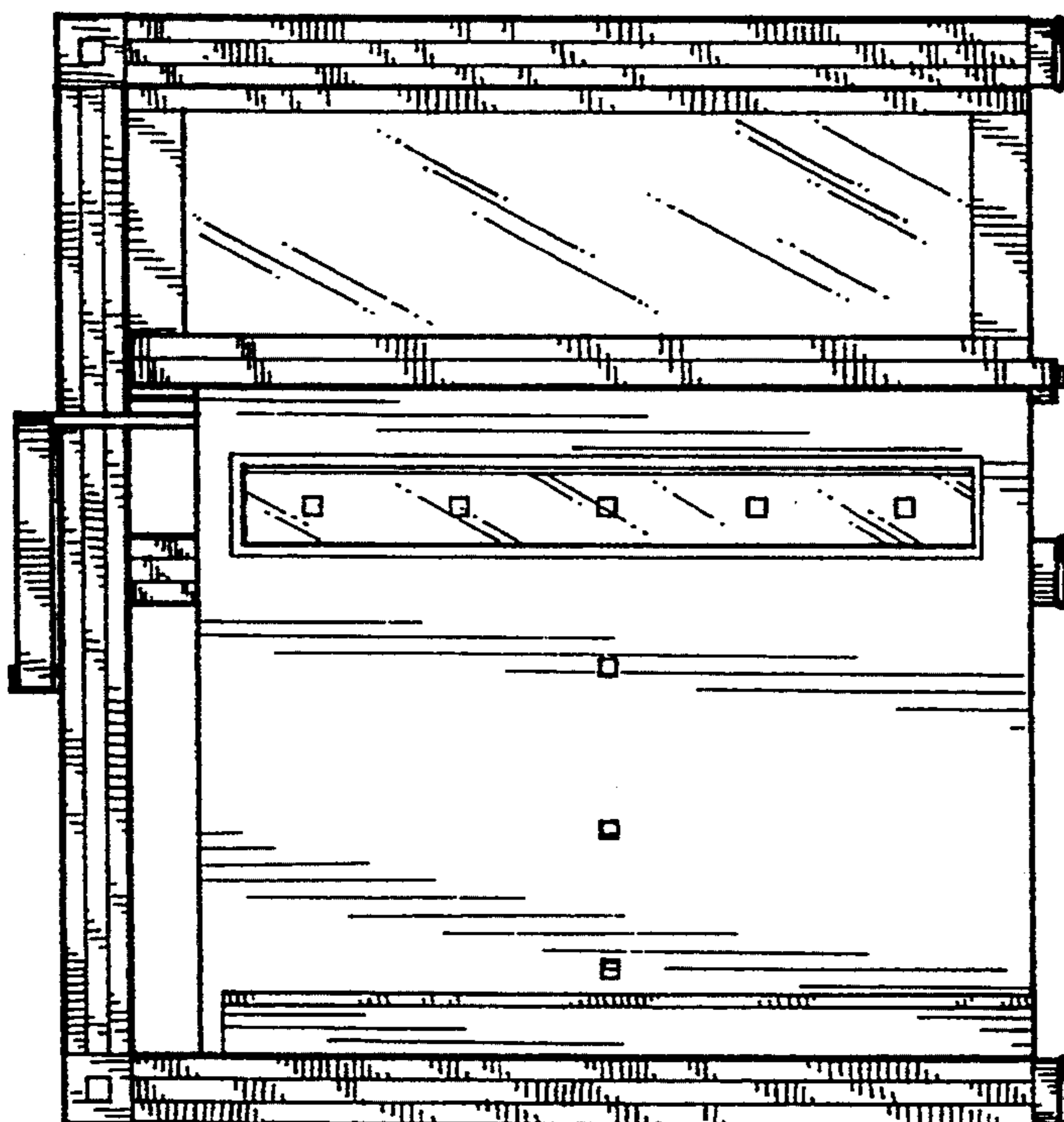


FIG. 5

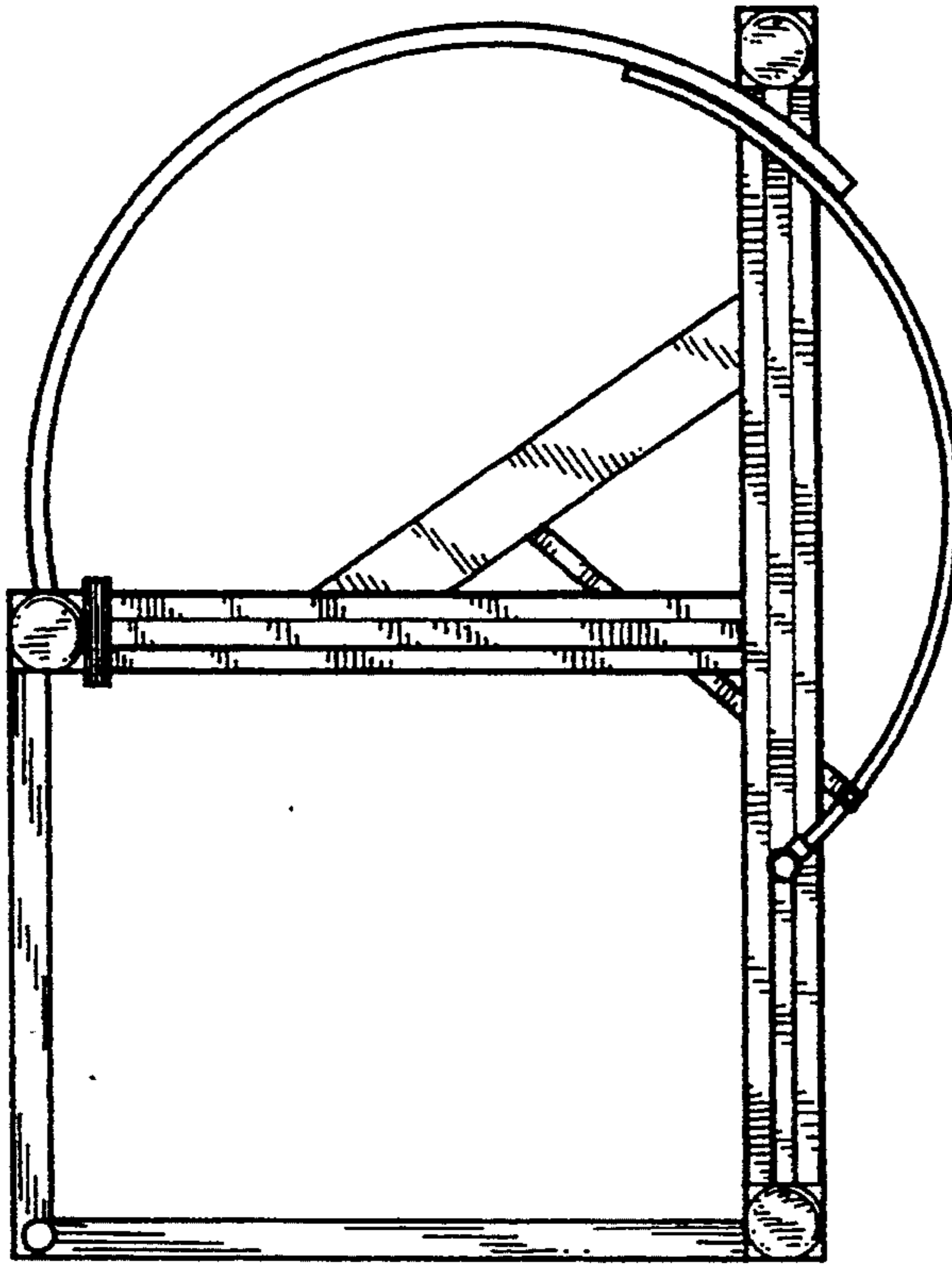


FIG. 8