



US00D354405S

# United States Patent [19] Greene

[11] Patent Number: **Des. 354,405**

[45] Date of Patent: **\*\* Jan. 17, 1995**

[54] **CHAIR**

[75] Inventor: **Michael W. Greene, Incline Village, Nev.**

[73] Assignee: **Resinform, Inc., Incline Village, Nev.**

[\*\*] Term: **14 Years**

[21] Appl. No.: **1,023**

[22] Filed: **Nov. 2, 1992**

[52] U.S. Cl. .... **D6/370; D6/375; D6/379**

[58] Field of Search ..... **D6/334, 370, 374, 375, D6/376, 379, 380, 500, 501, 502; 297/411.42, 445, DIG. 2**

[56] **References Cited**

**U.S. PATENT DOCUMENTS**

D. 145,678	10/1946	Roth	.....	D6/375
D. 289,349	4/1987	Vanderminde	.....	D6/379
D. 294,892	3/1988	Hubert	.....	D6/370
D. 323,249	1/1992	Schwartz	.....	D6/370
D. 337,446	7/1993	Gibbs	.....	D6/370
D. 346,281	4/1994	Vidal	.....	D6/370
2,464,995	5/1949	Roth	.....	297/411.42
4,674,799	6/1987	Schwartz et al.	.....	297/445
4,826,248	5/1989	Poo	.....	D6/370 X

**OTHER PUBLICATIONS**

Sun Terrace Products, 1986, p. 9, Chair at bottom left.

*Primary Examiner*—Alan P. Douglas

*Assistant Examiner*—Gary D. Watson

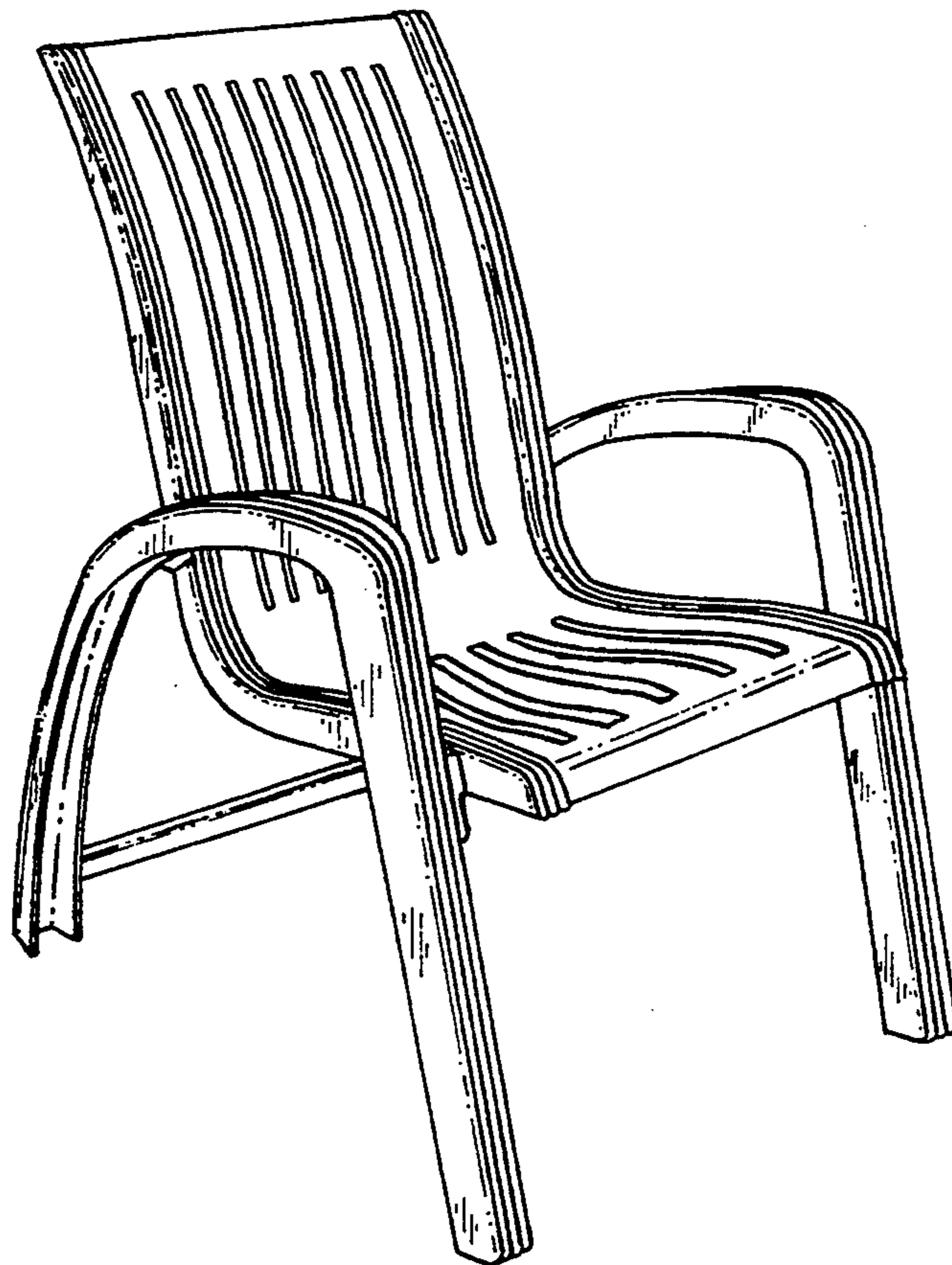
*Attorney, Agent, or Firm*—Hovey, Williams, Timmons & Collins

[57] **CLAIM**

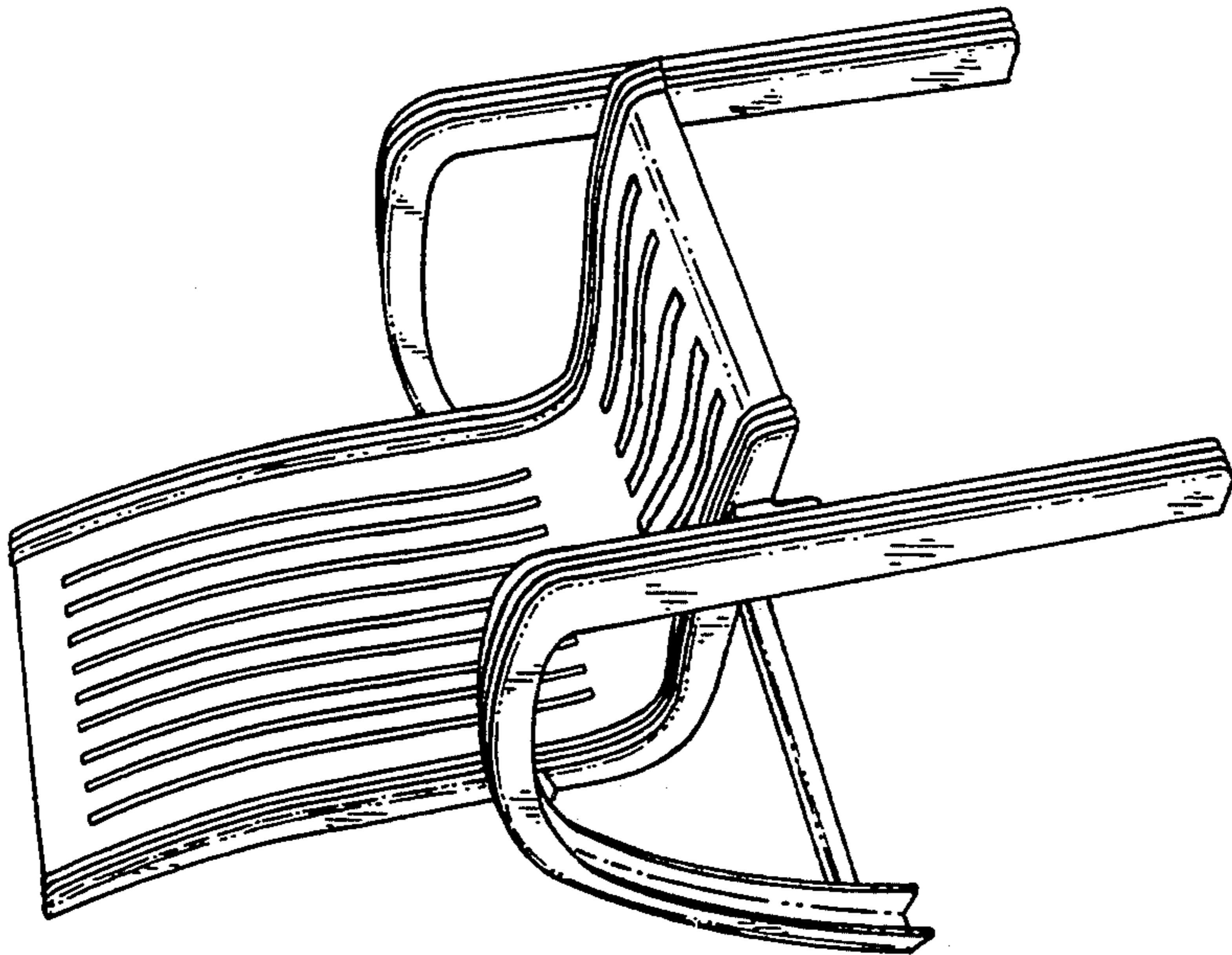
The ornamental design for a chair, as shown and described.

**DESCRIPTION**

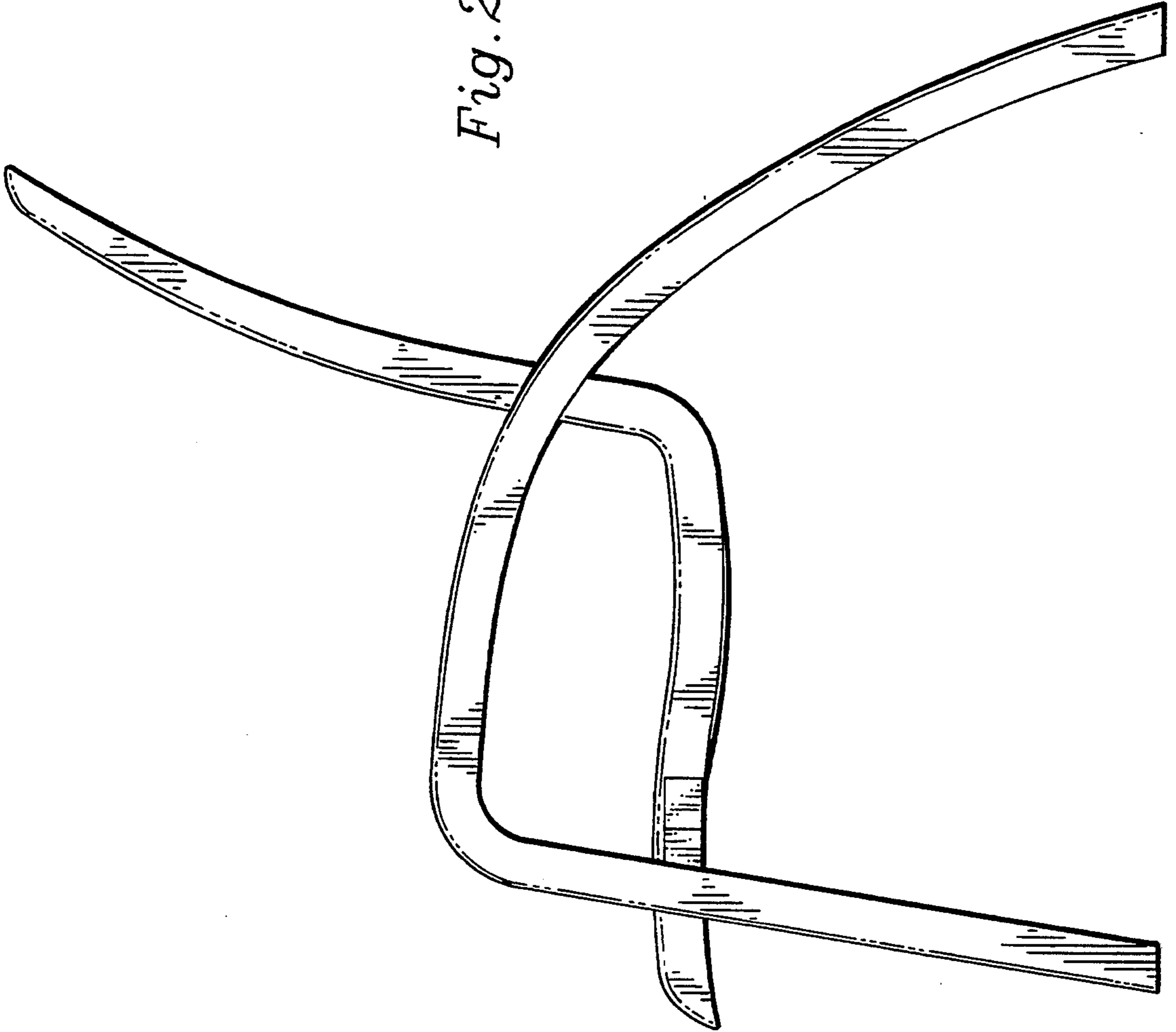
FIG. 1 is a front perspective view of the chair; FIG. 2 is a side elevational view thereof; FIG. 3 is a rear elevational view thereof; FIG. 4 is a front elevational view thereof; FIG. 5 is a top plan view thereof; FIG. 6 is a bottom plan view; FIG. 7 is a front perspective view of the chair similar to FIG. 1 and illustrating a second embodiment with a cushion in the seat and on the back of the chair; FIG. 8 is a side elevational view of the embodiment shown in FIG. 7; FIG. 9 is a rear elevational view thereof; FIG. 10 is a front elevational view thereof; FIG. 11 is a bottom plan view thereof; and, FIG. 12 is a top plan view thereof.

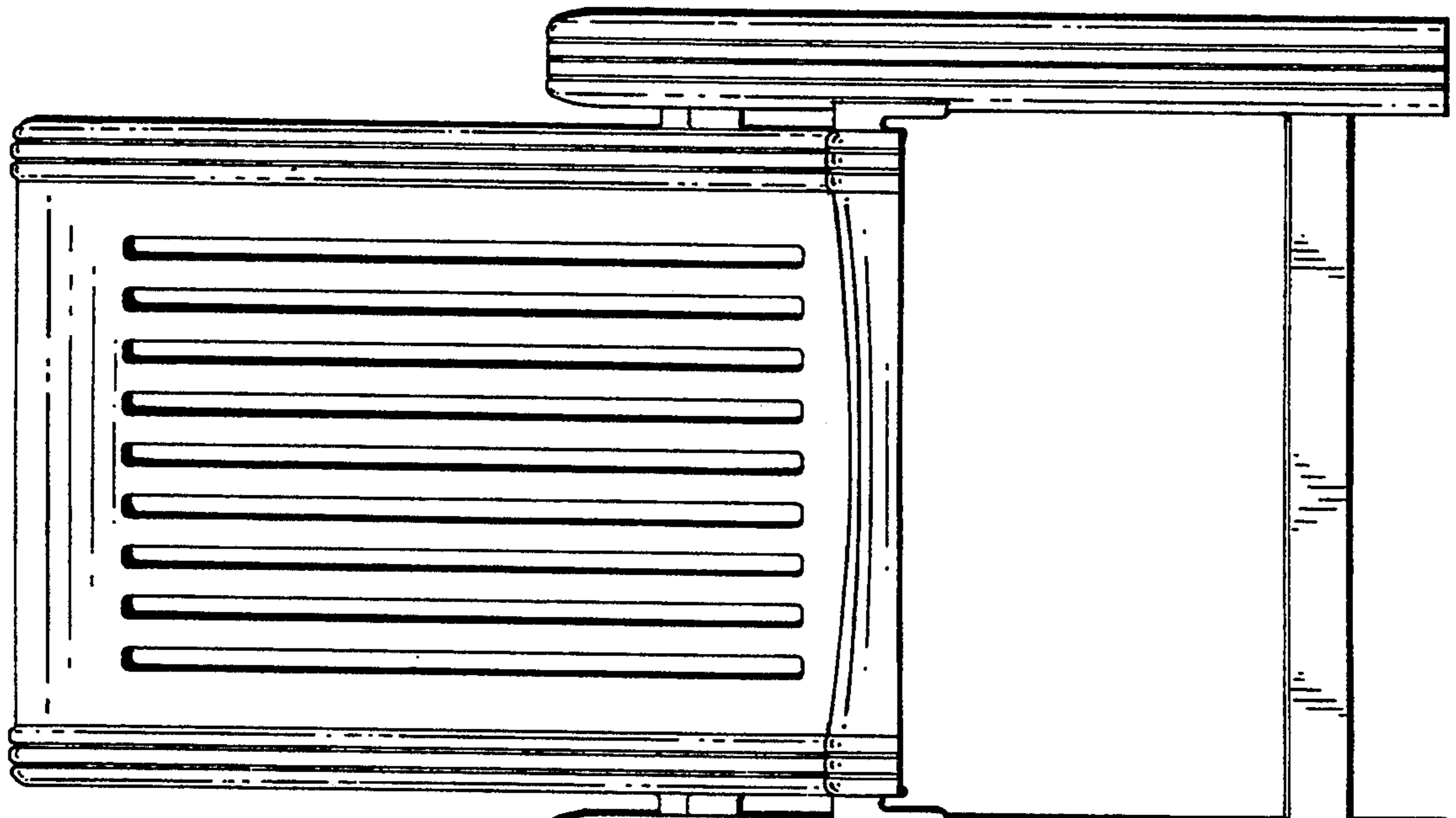


*Fig. 1.*

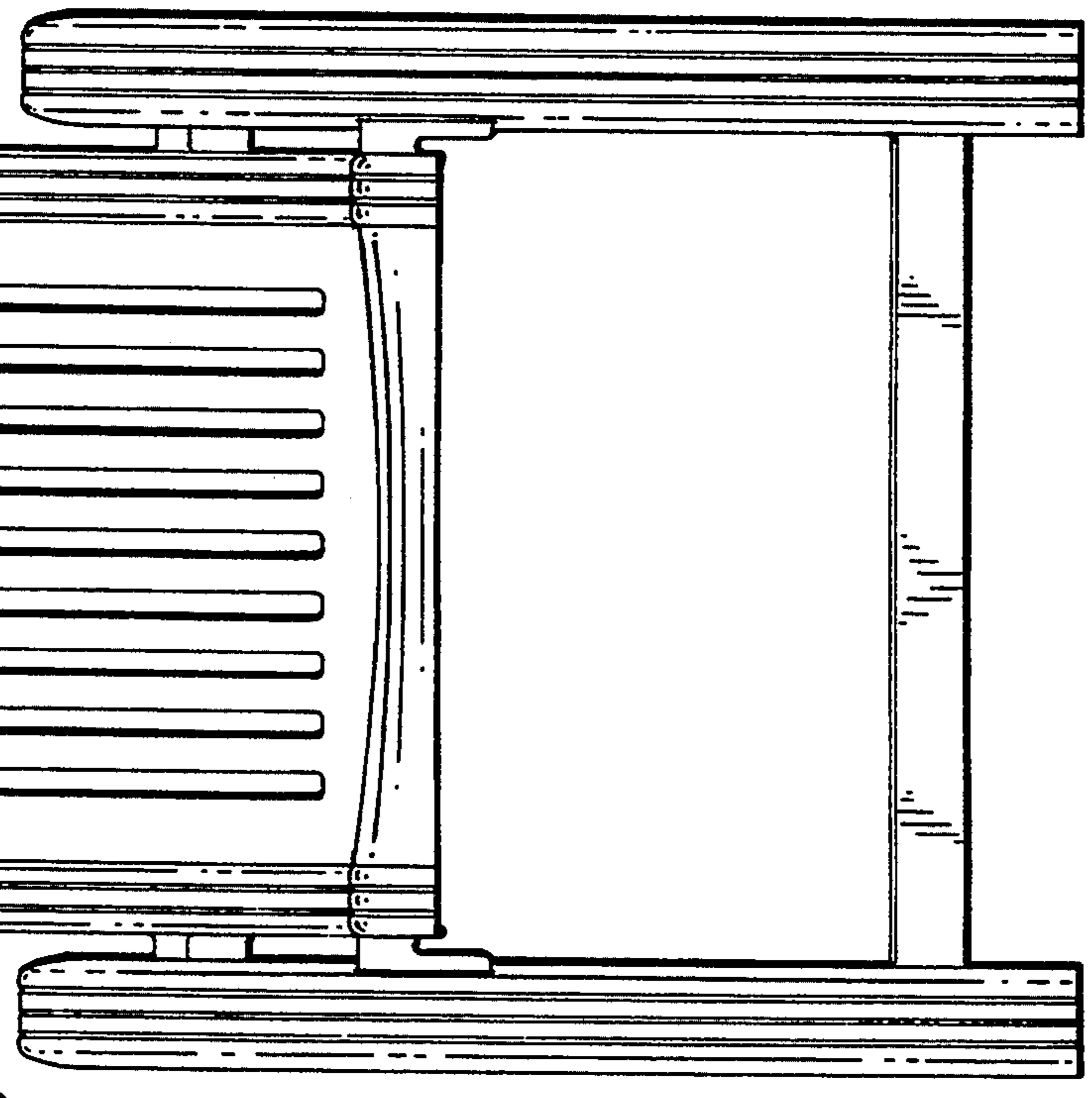


*Fig. 2.*

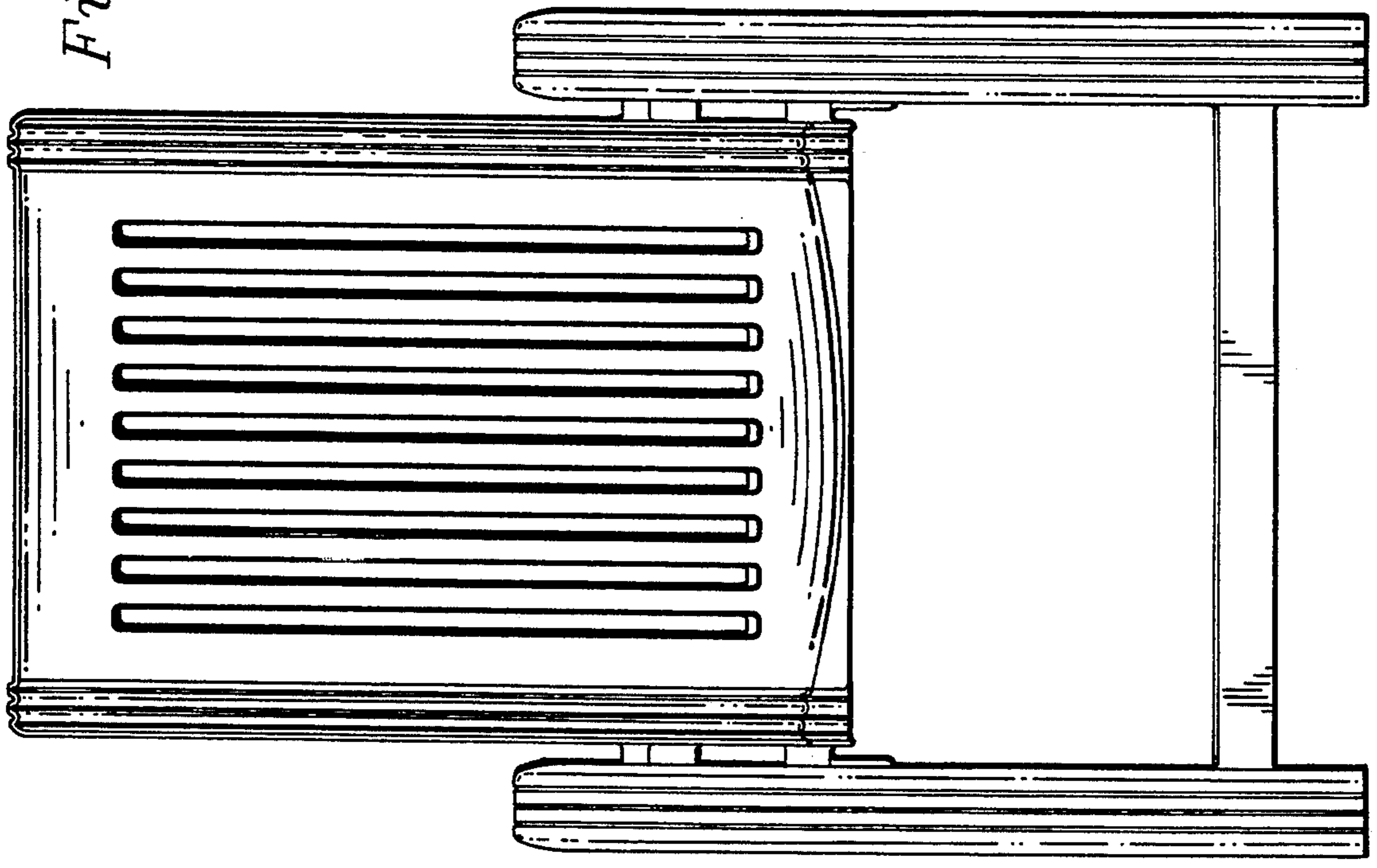




*Fig. 3.*

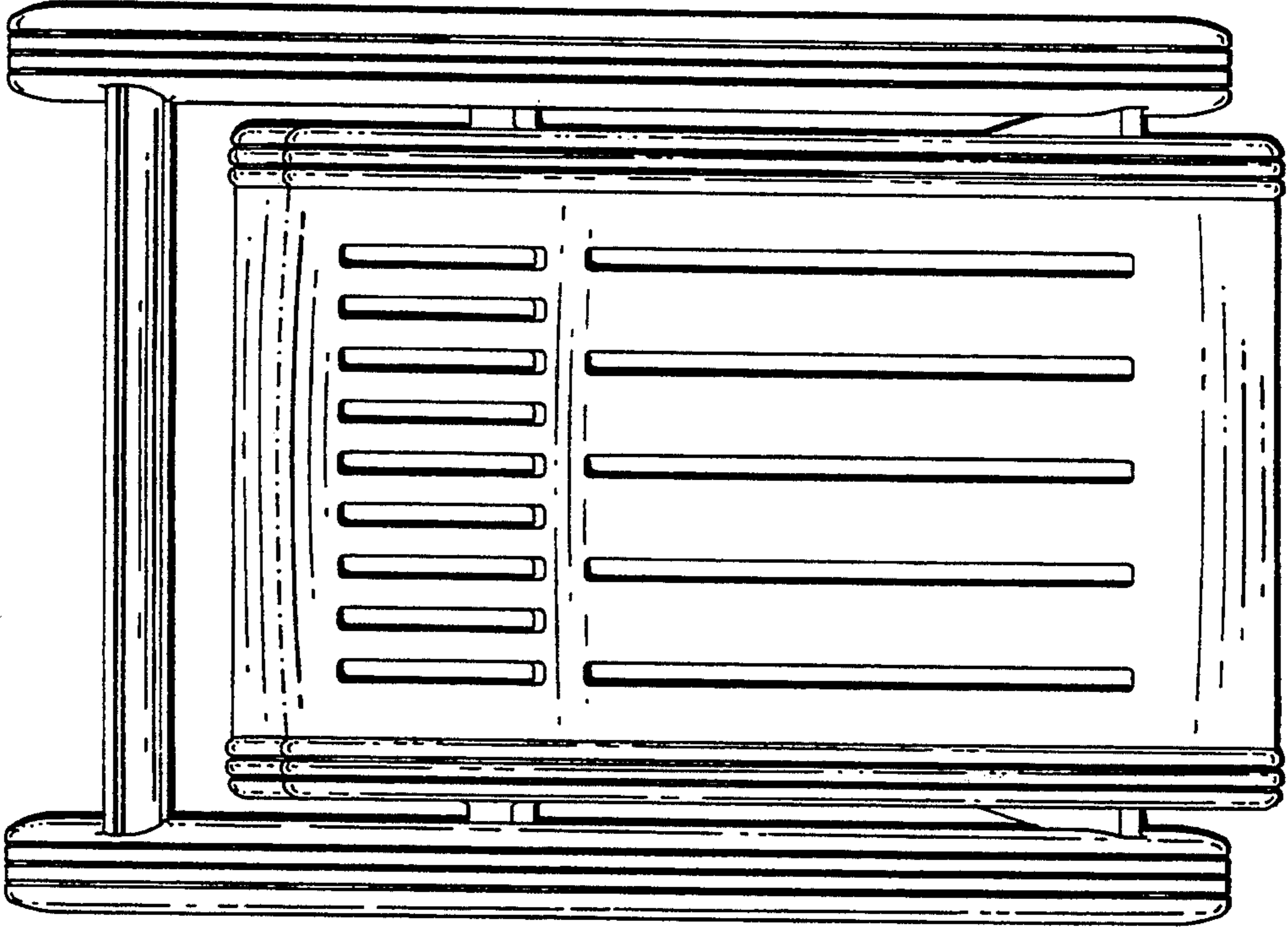


*Fig. 4.*





*Fig. 5.*



*Fig. 6.*

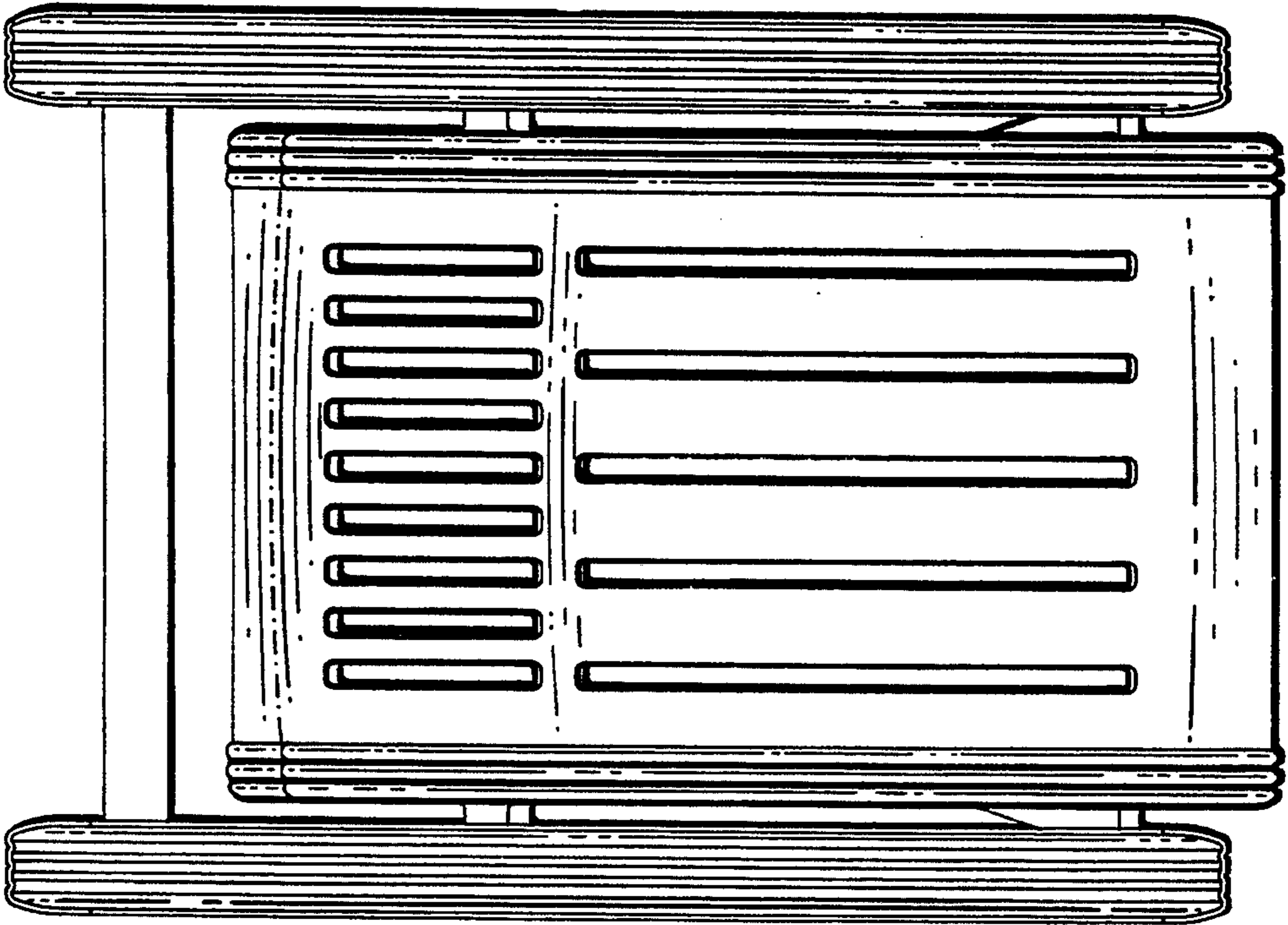


Fig. 8.

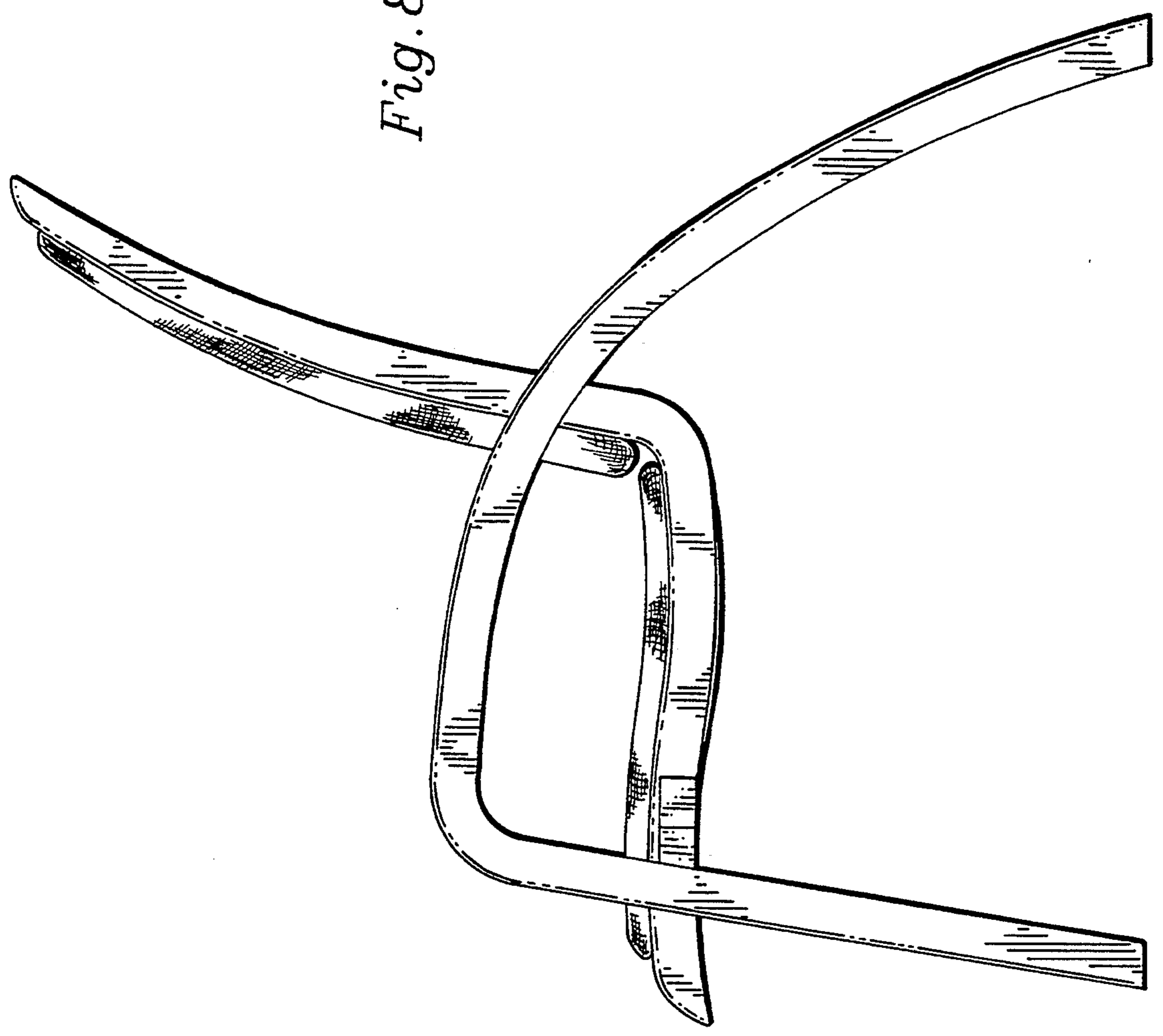
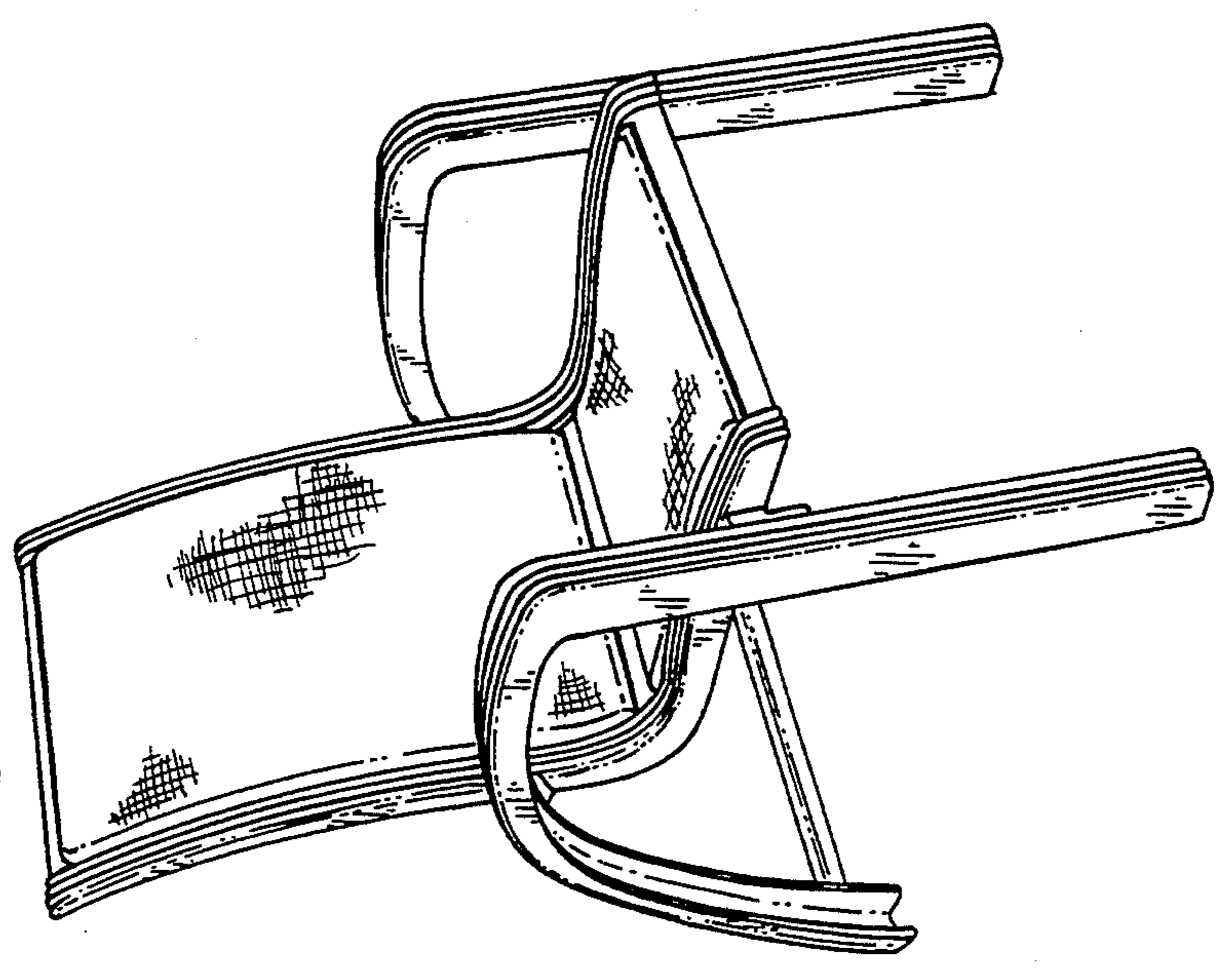
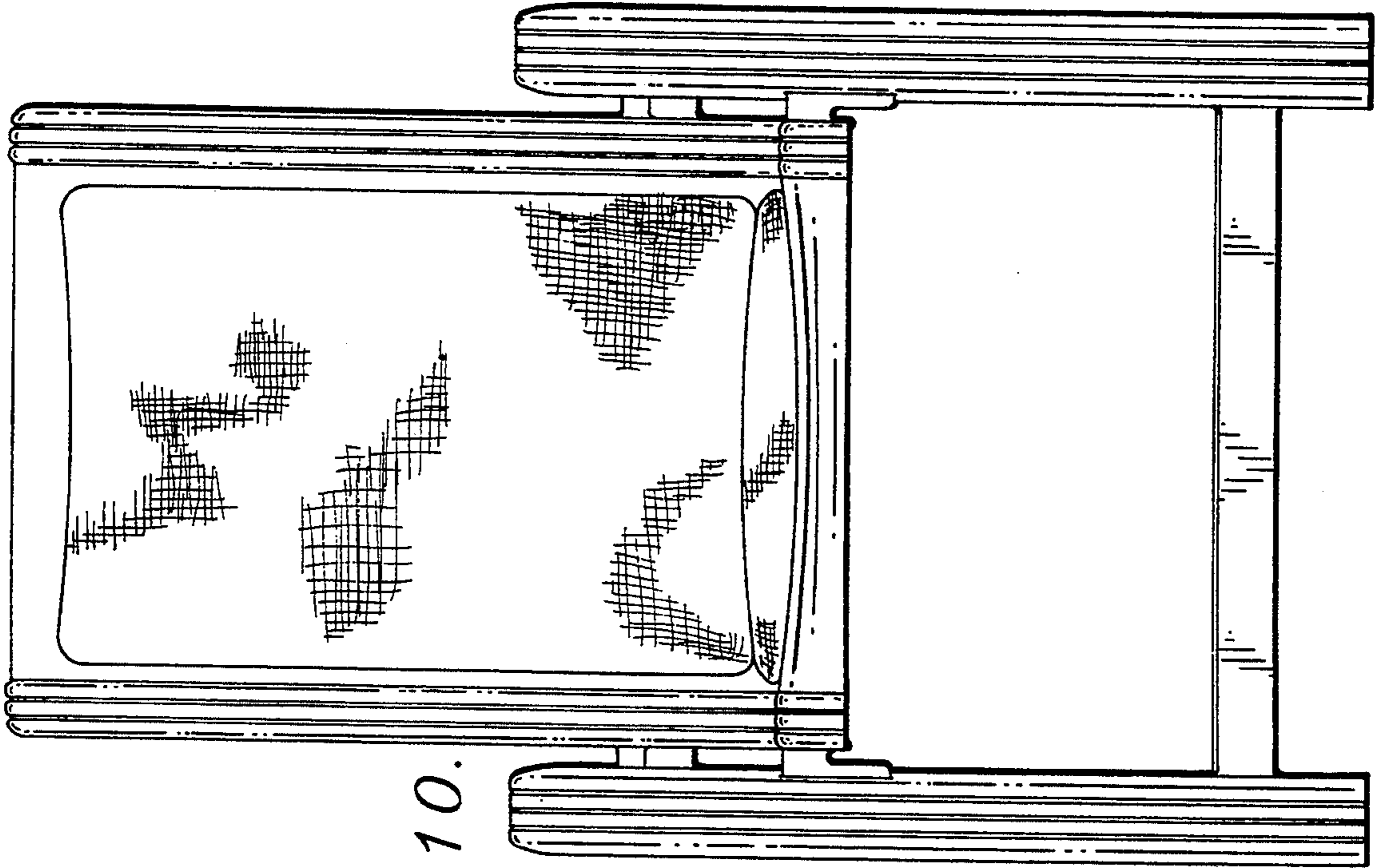


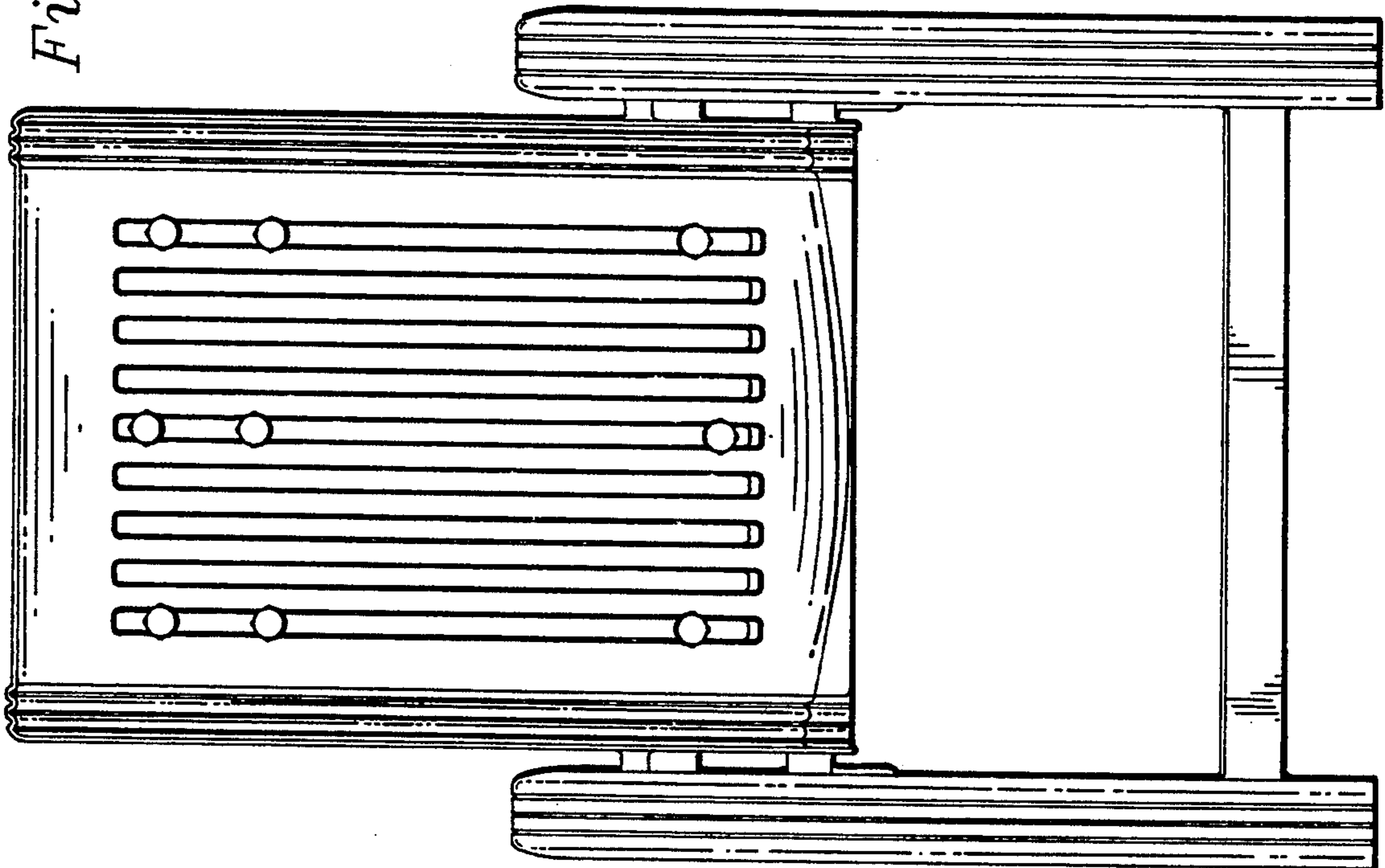
Fig. 7.





*Fig. 10.*

*Fig. 9.*





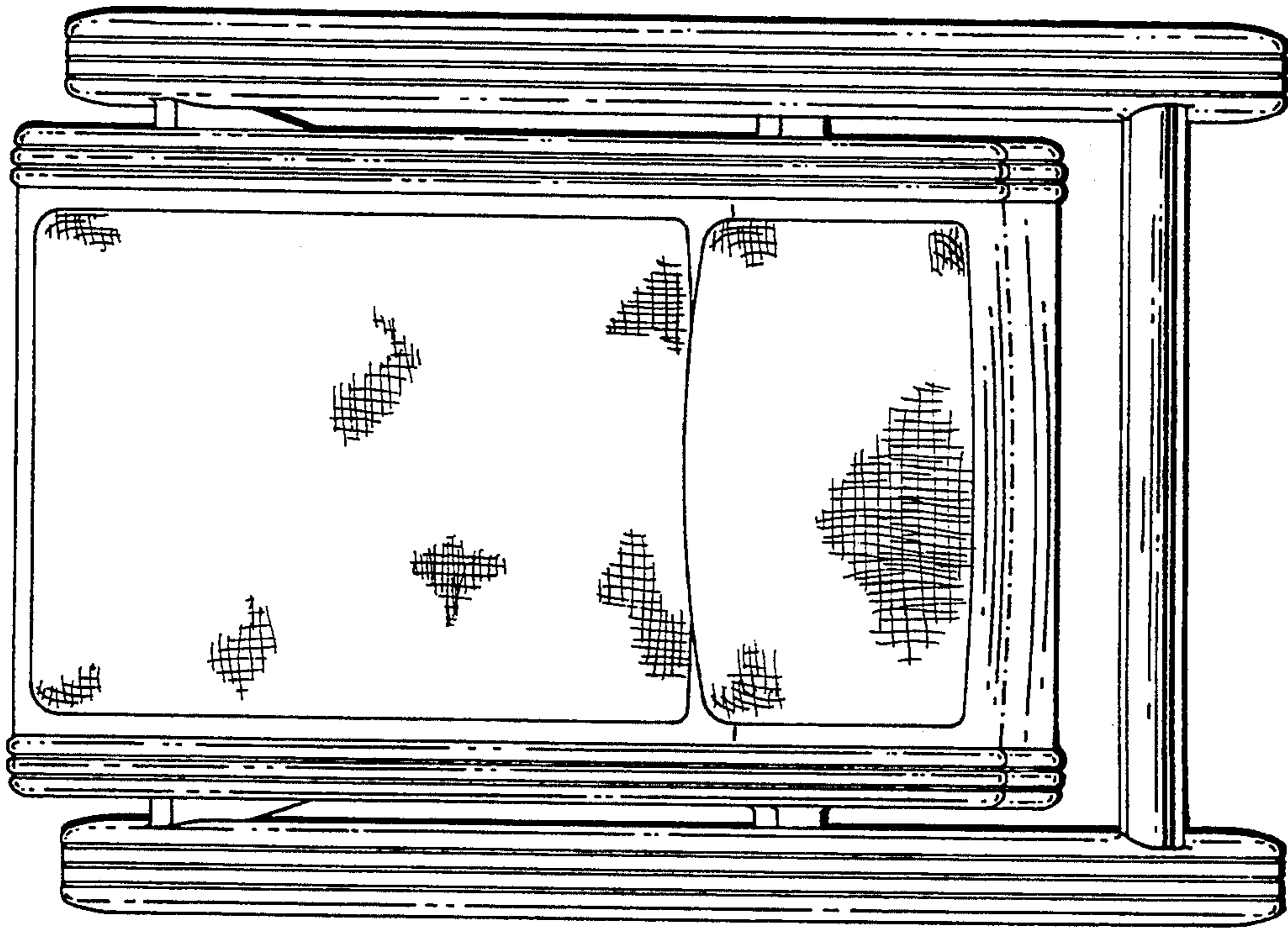


Fig. 12.

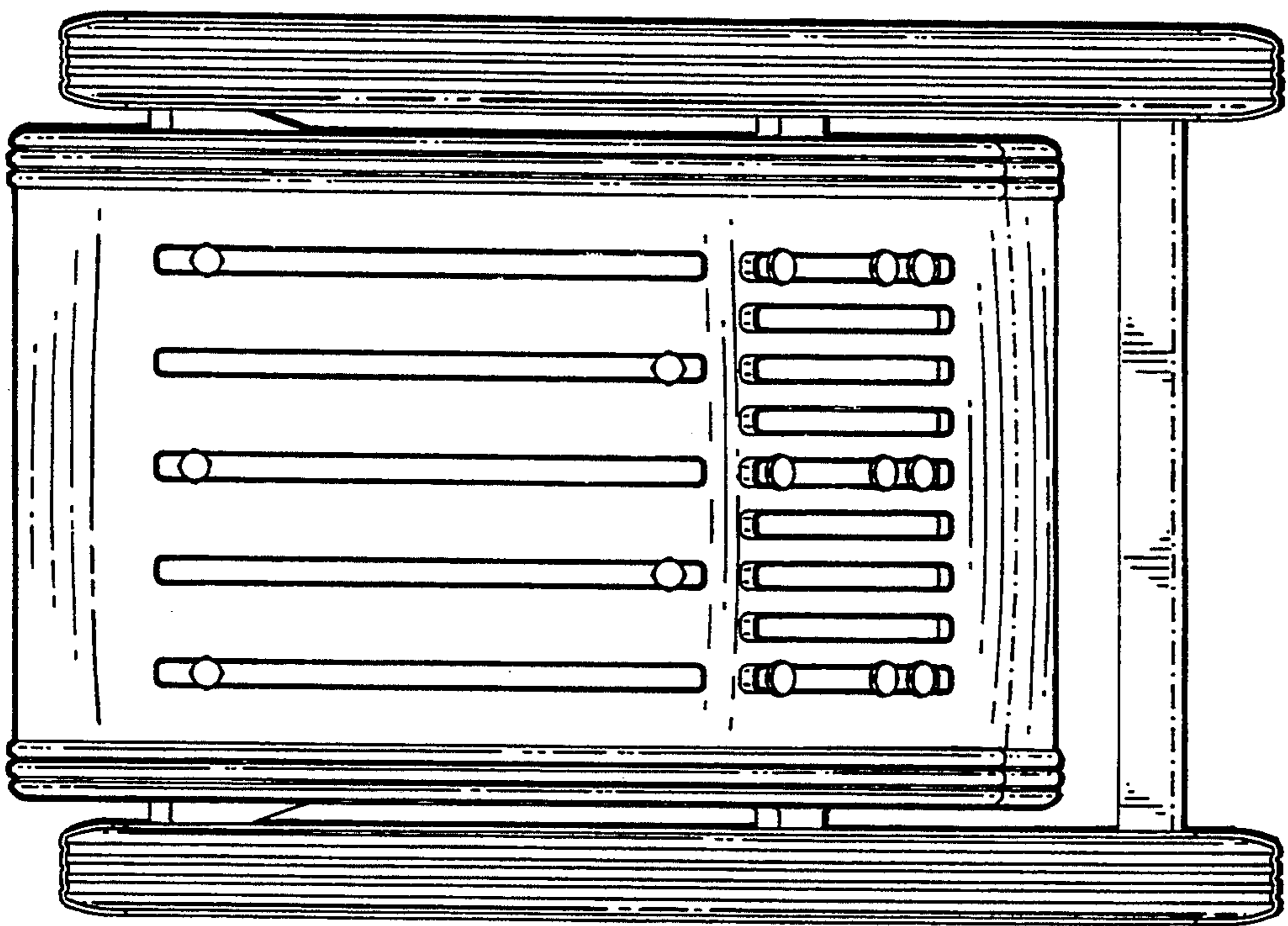


Fig. 11.