



US00D354404S

United States Patent [19] Greene

[11] Patent Number: **Des. 354,404**
[45] Date of Patent: **** Jan. 17, 1995**

- [54] **CHAISE LOUNGE**
- [75] Inventor: **Michael W. Greene**, Incline Village, Nev.
- [73] Assignee: **Resinform, Inc.**, Incline Village, Nev.
- [**] Term: **14 Years**
- [21] Appl. No.: **1,025**
- [22] Filed: **Nov. 2, 1992**
- [52] U.S. Cl. **D6/361**
- [58] Field of Search **D6/334, 360, 361, 370, D6/379, 500, 501, 502; 297/377, 411.42**

- [56] **References Cited**
- U.S. PATENT DOCUMENTS**
- D. 168,429 12/1952 Williams D6/361
 - D. 294,890 3/1988 Hubert D6/361
 - D. 329,544 9/1992 Snodgrass D6/361

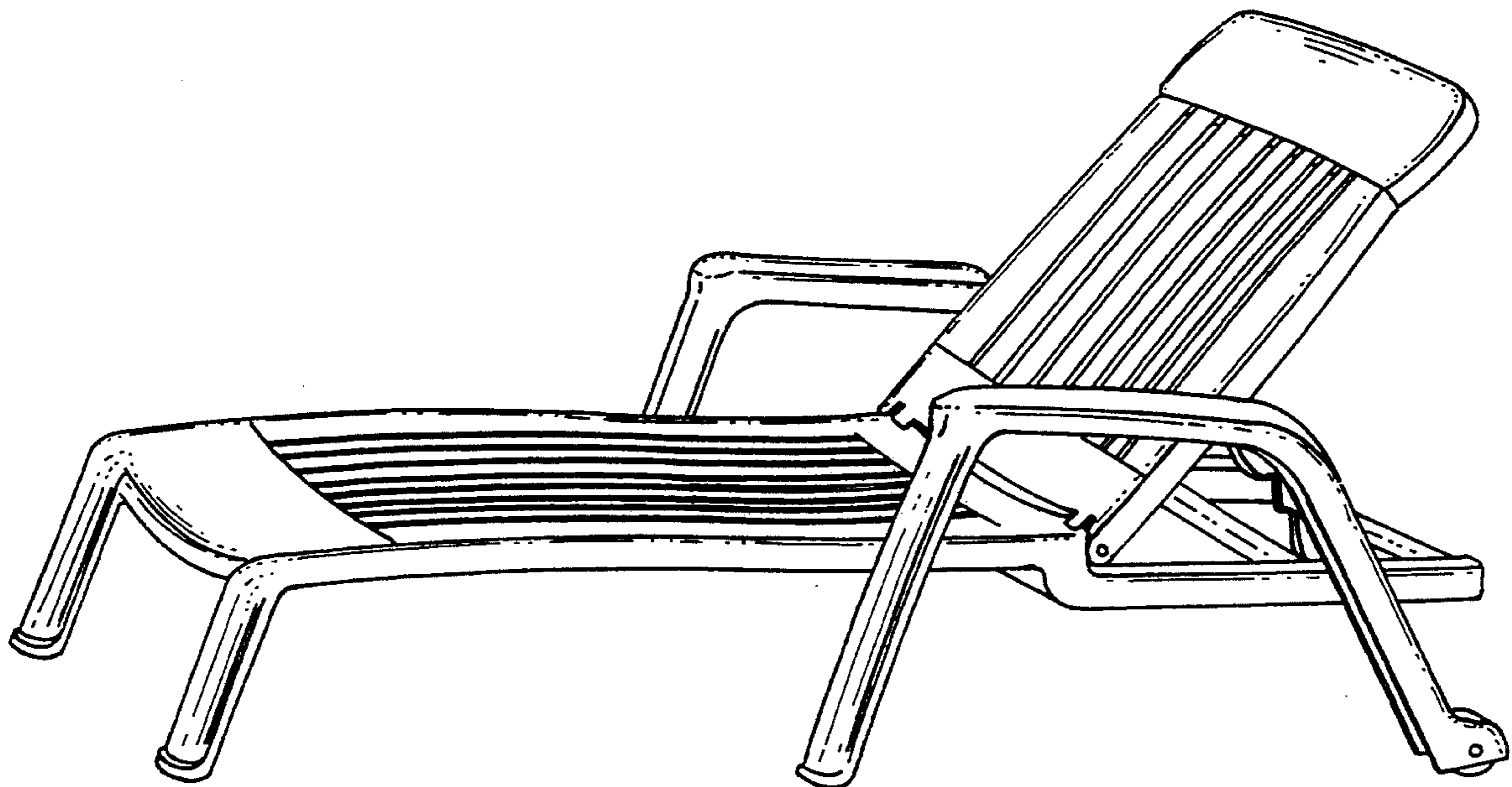
- OTHER PUBLICATIONS**
- Sun Terrace Products, 1986, p. 17, Lounge at bottom right.
 - Grosfillex GmbH, 1987, Lounge shown at left.
 - Grosfillex Contract, Lounge #47-620-0-04 at far left, 2nd row of from bottom.

Primary Examiner—Alan P. Douglas
Assistant Examiner—Gary D. Watson
Attorney, Agent, or Firm—Hovey, Williams, Timmons & Collins

[57] **CLAIM**
 The ornamental design for a chaise lounge, as shown and described.

DESCRIPTION

FIG. 1 is a front perspective view of the chaise lounge; FIG. 2 is a side elevational view thereof; FIG. 3 is a front elevational view thereof; FIG. 4 is a rear elevational view thereof; FIG. 5 is a top plan view thereof; FIG. 6 is a bottom plan view thereof; FIG. 7 is a front perspective view similar to the view of FIG. 1 and showing a further embodiment of the chaise lounge with a cushion on the seat and the back of the chaise lounge; FIG. 8 is a side elevational view of the embodiment illustrated in FIG. 7; FIG. 9 is a front elevational view thereof; FIG. 10 is a rear elevational view thereof; FIG. 11 is a top plan view thereof; and, FIG. 12 is a bottom plan view thereof.



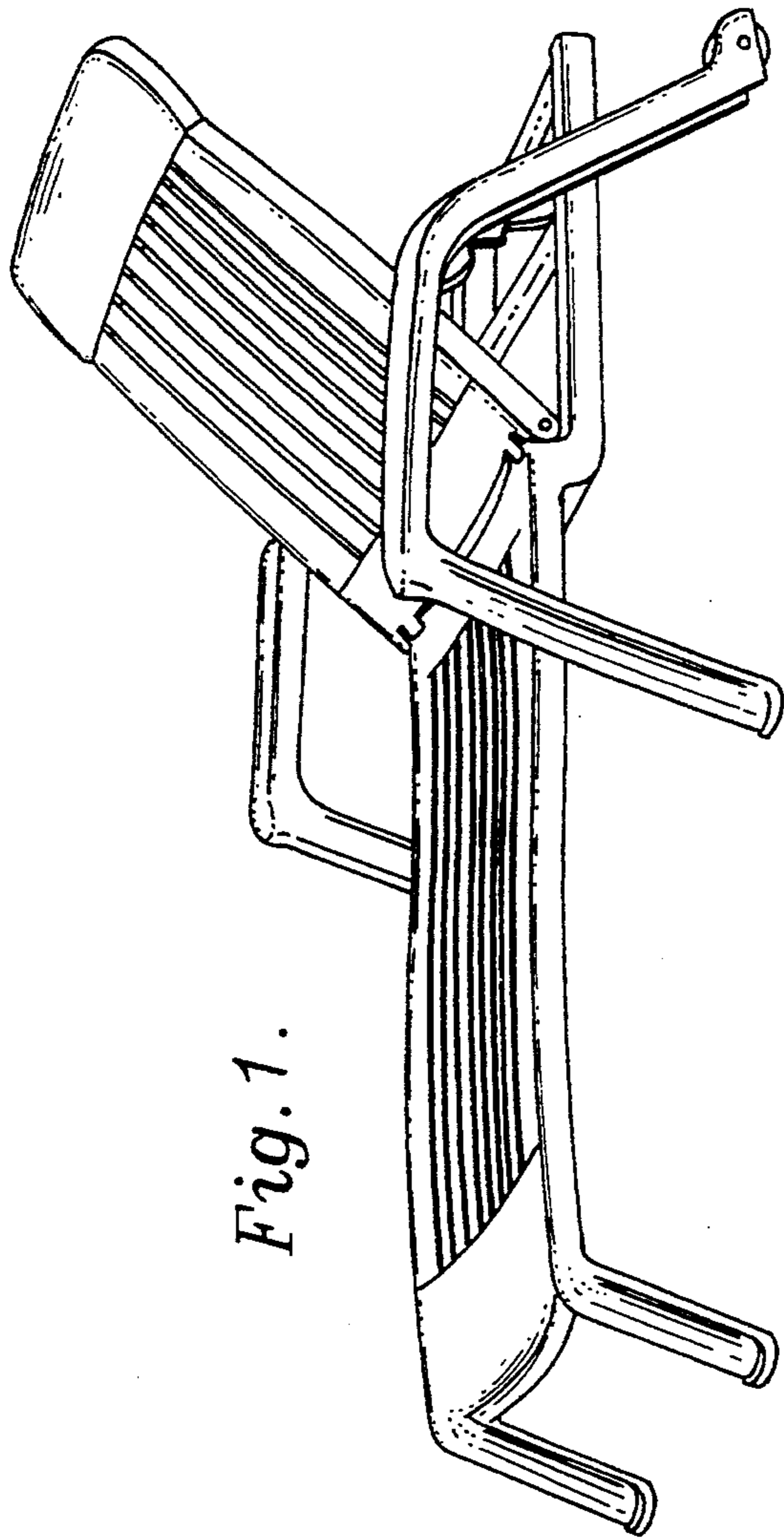


Fig. 1.

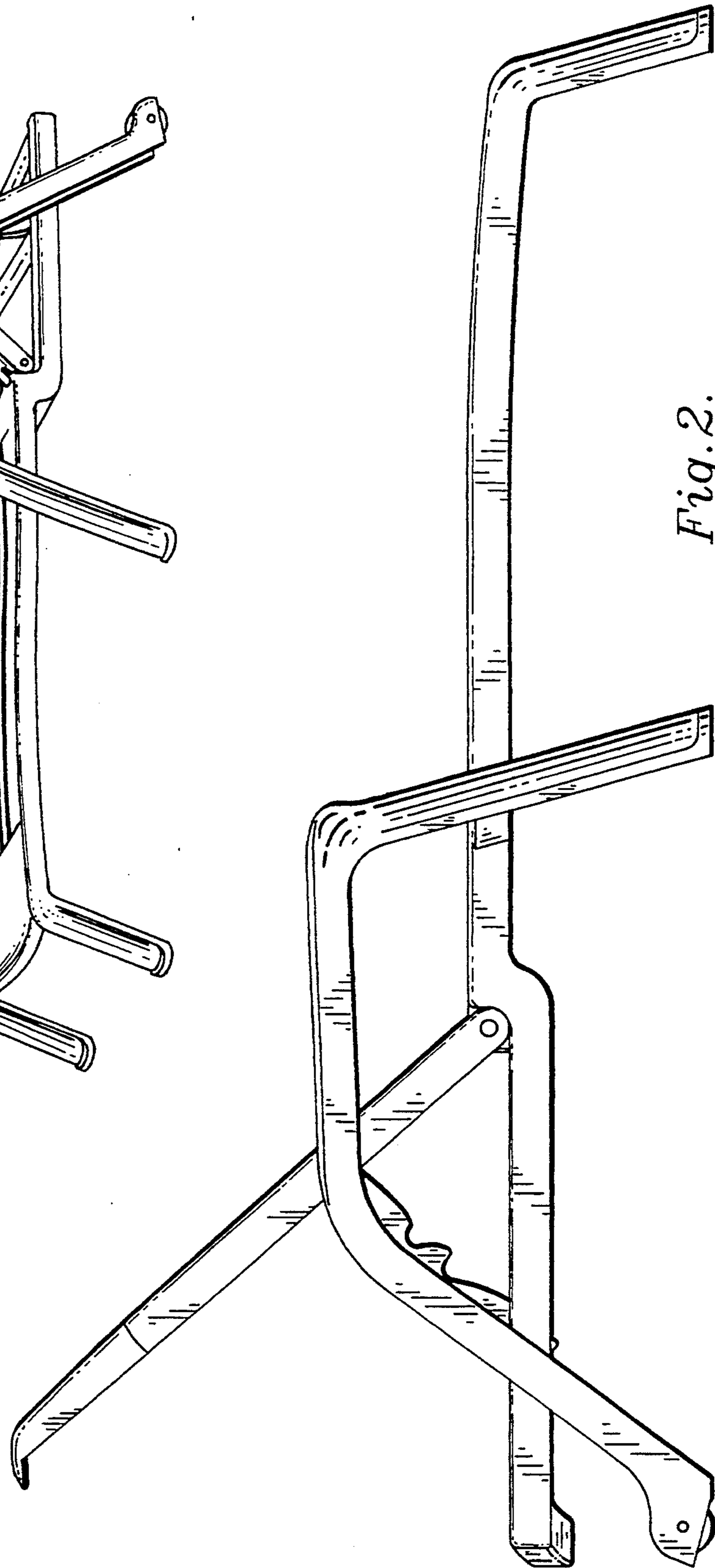


Fig. 2.

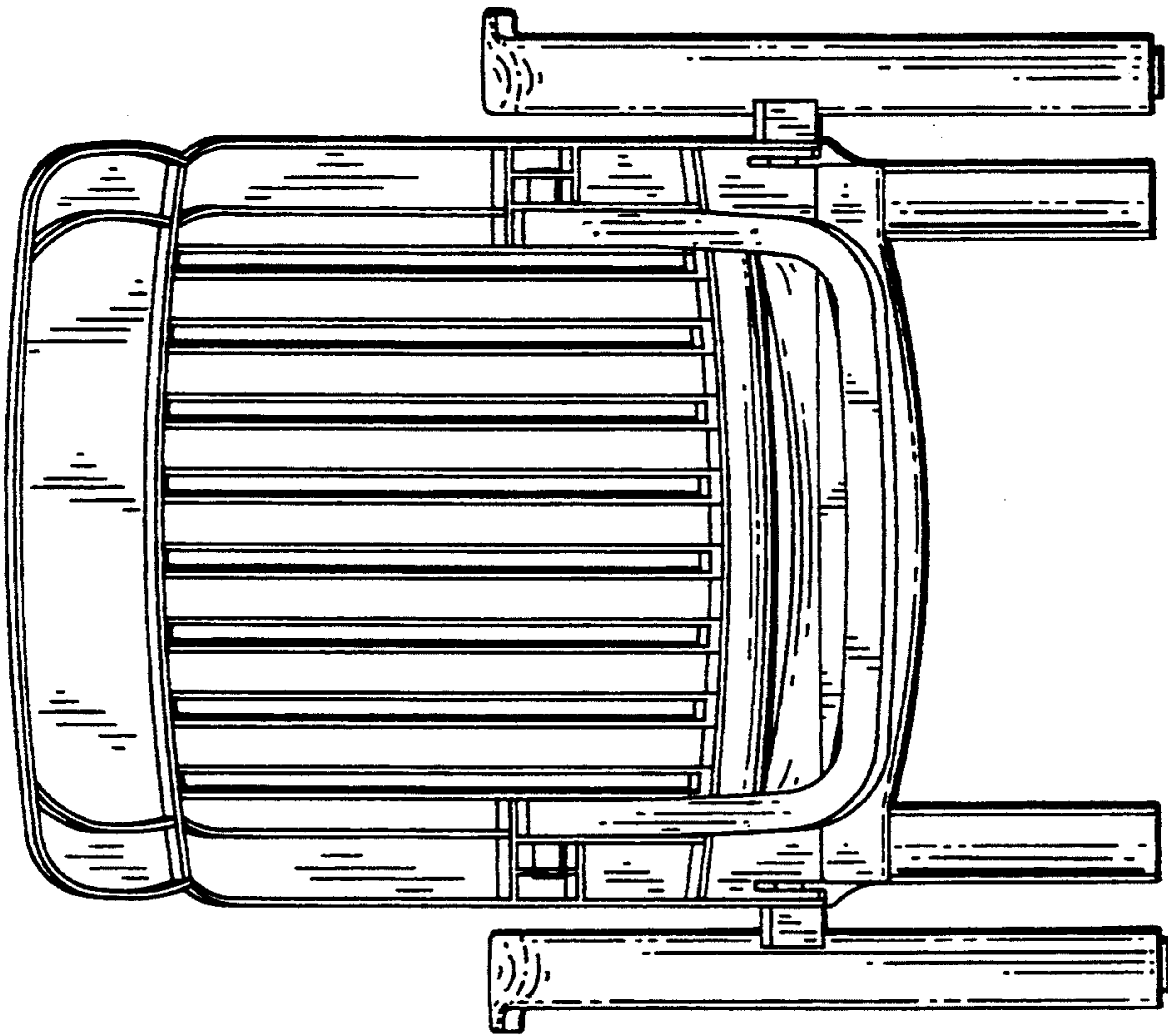


Fig. 3.

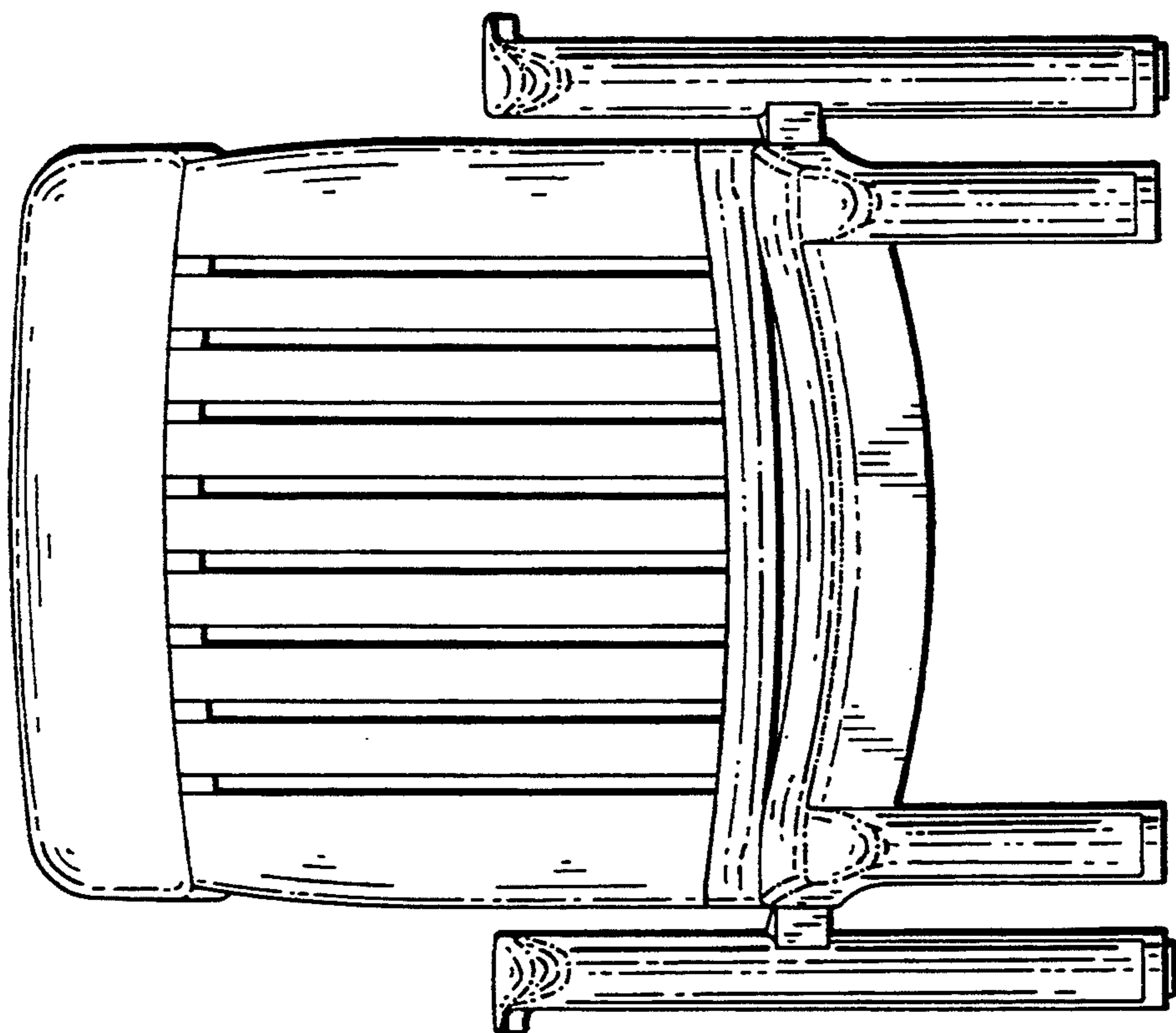


Fig. 4.

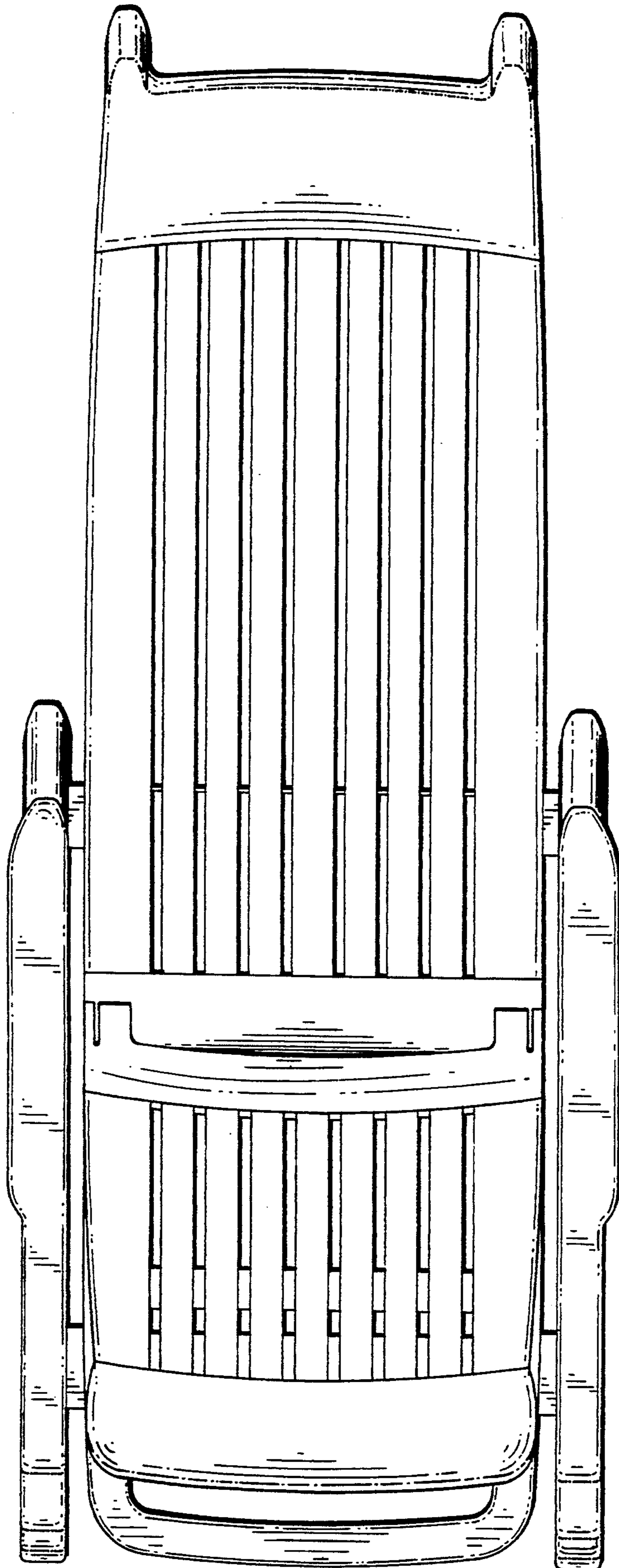


Fig. 5.

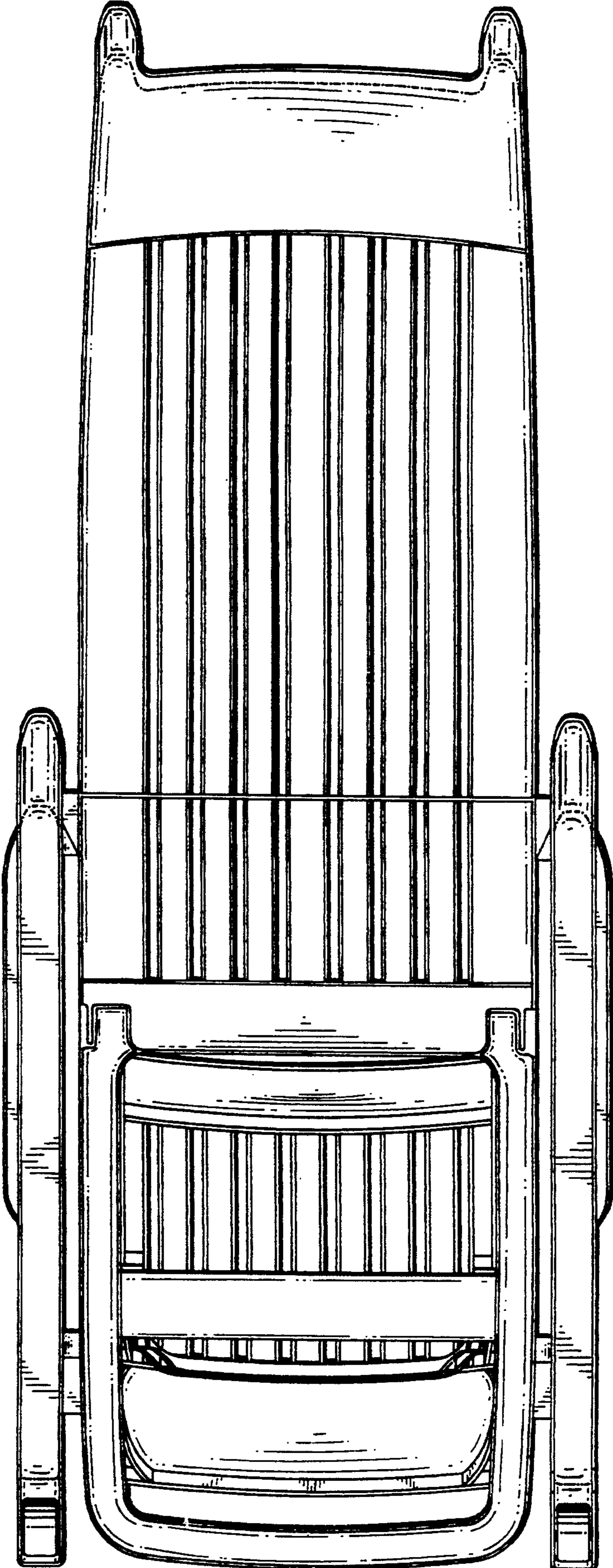


Fig. 6.

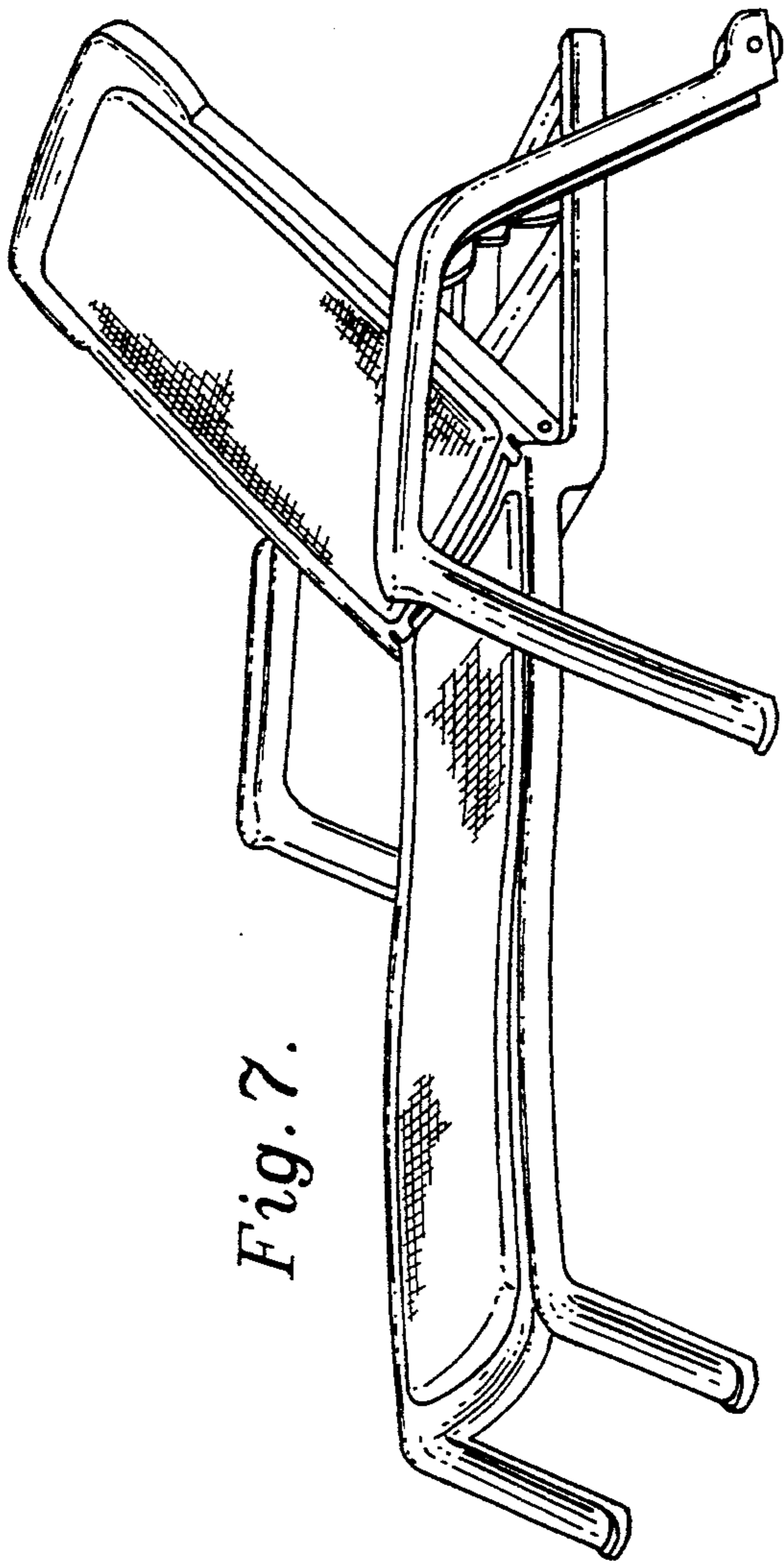


Fig. 7.

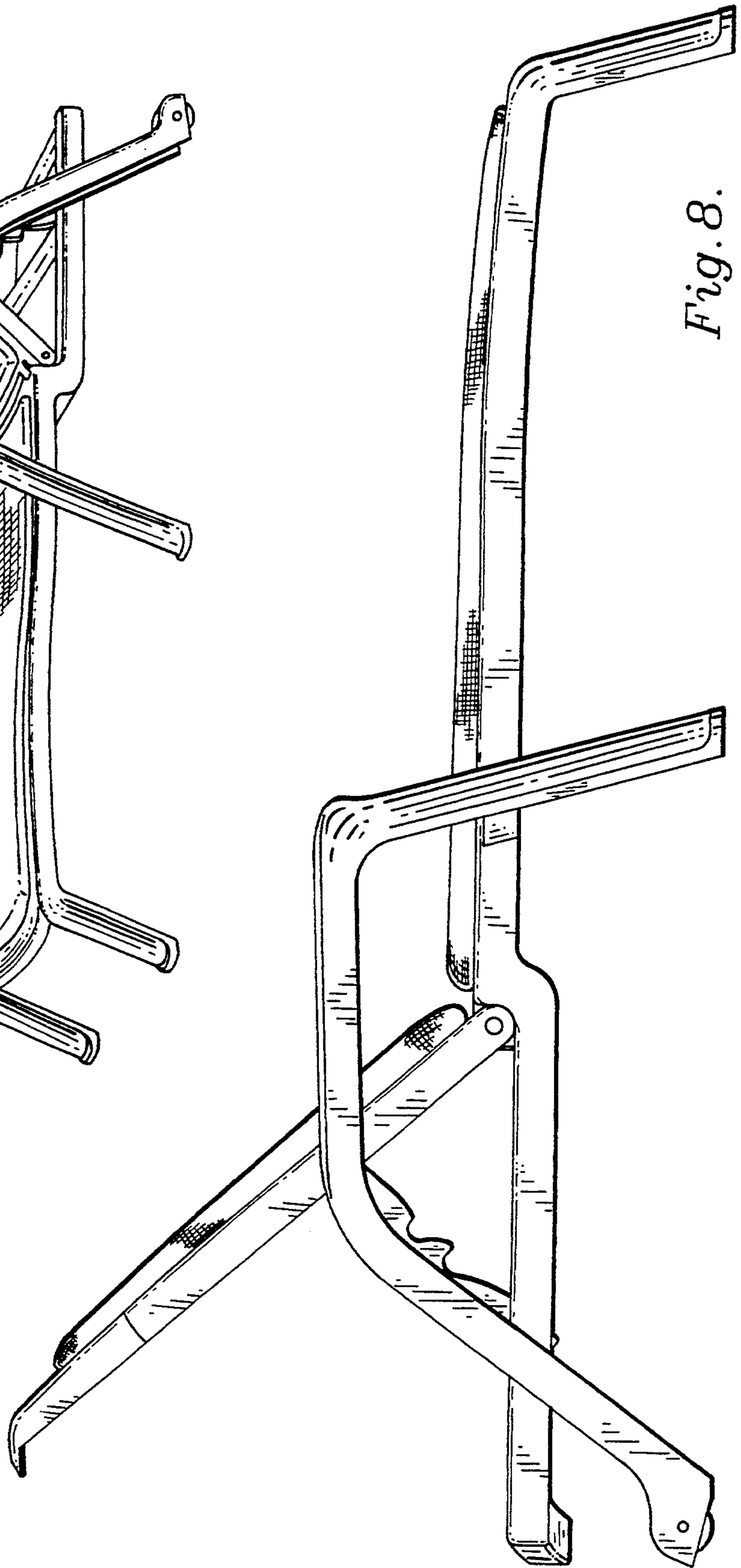


Fig. 8.

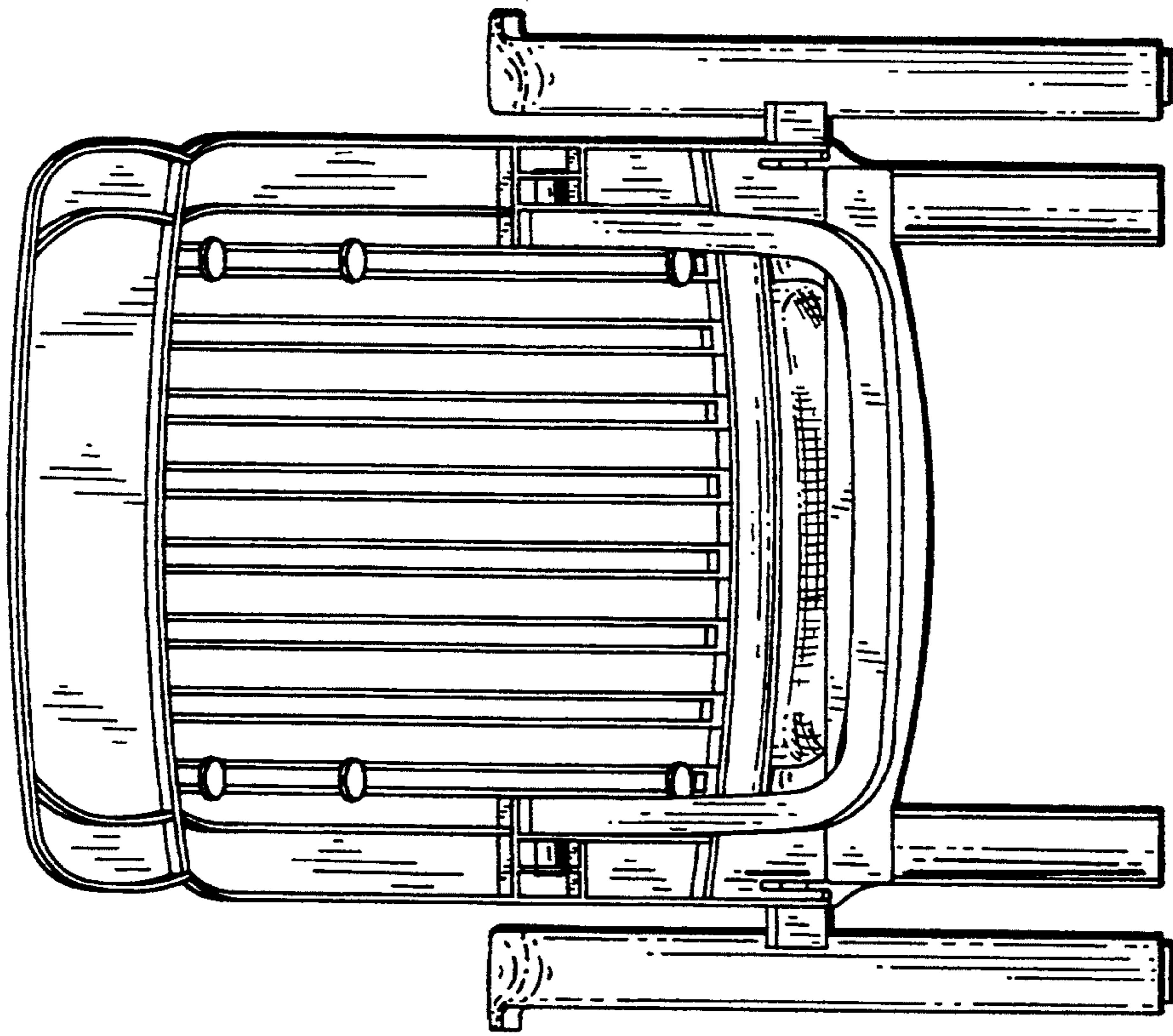


Fig. 10.

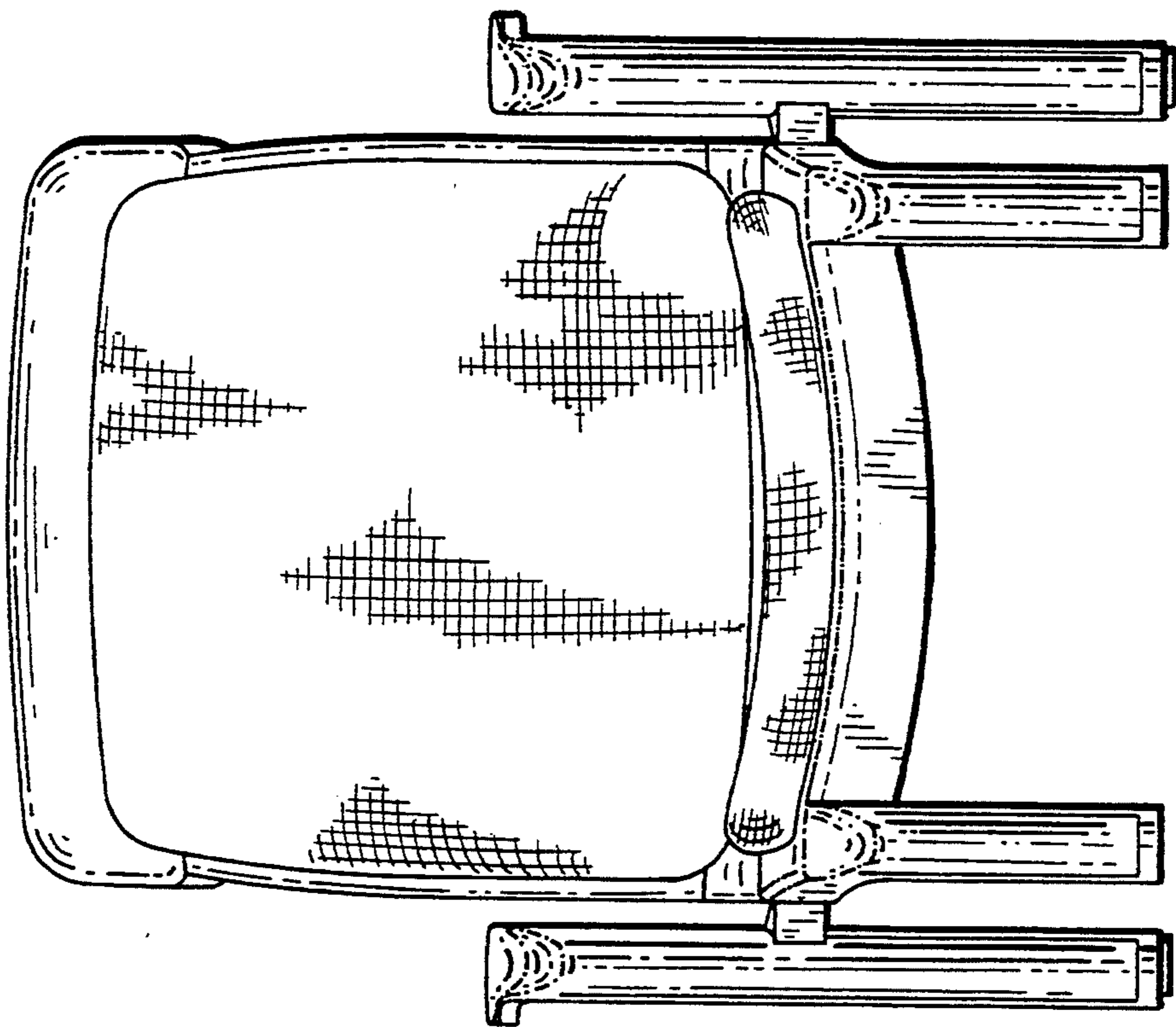


Fig. 9.

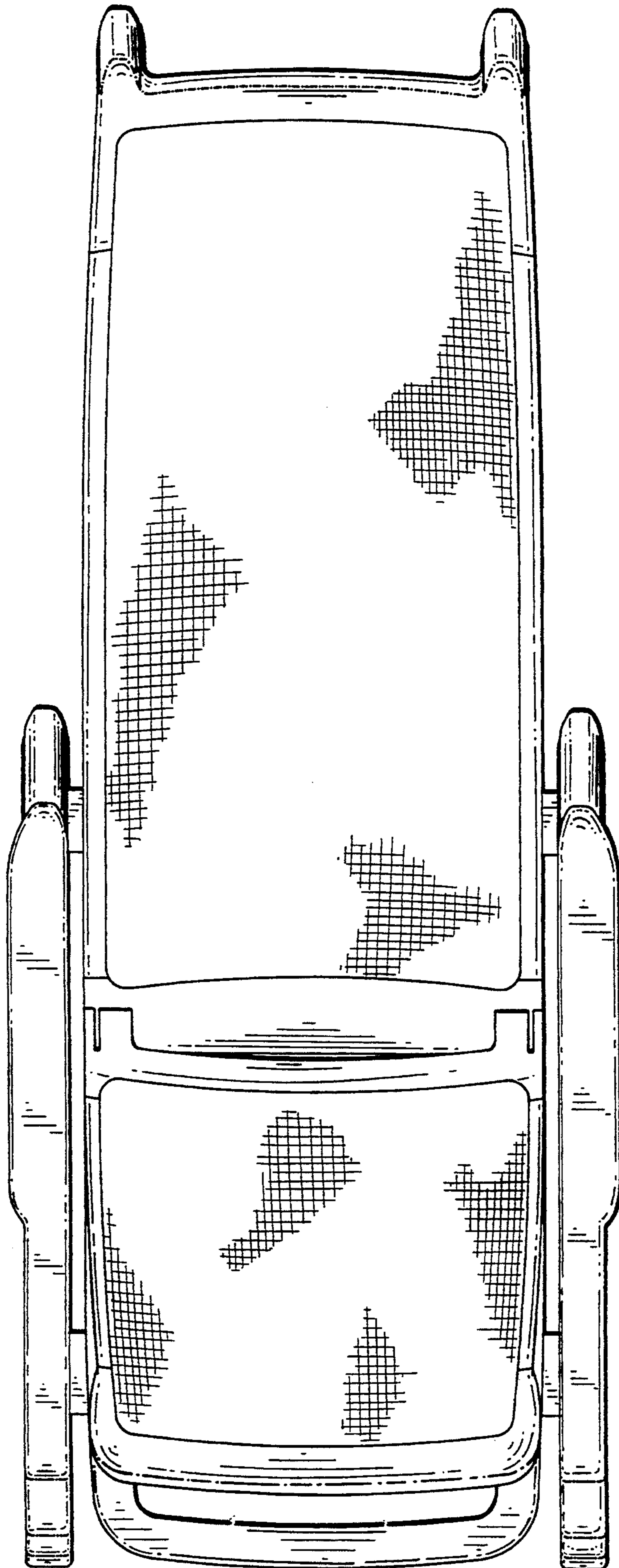


Fig. 11.

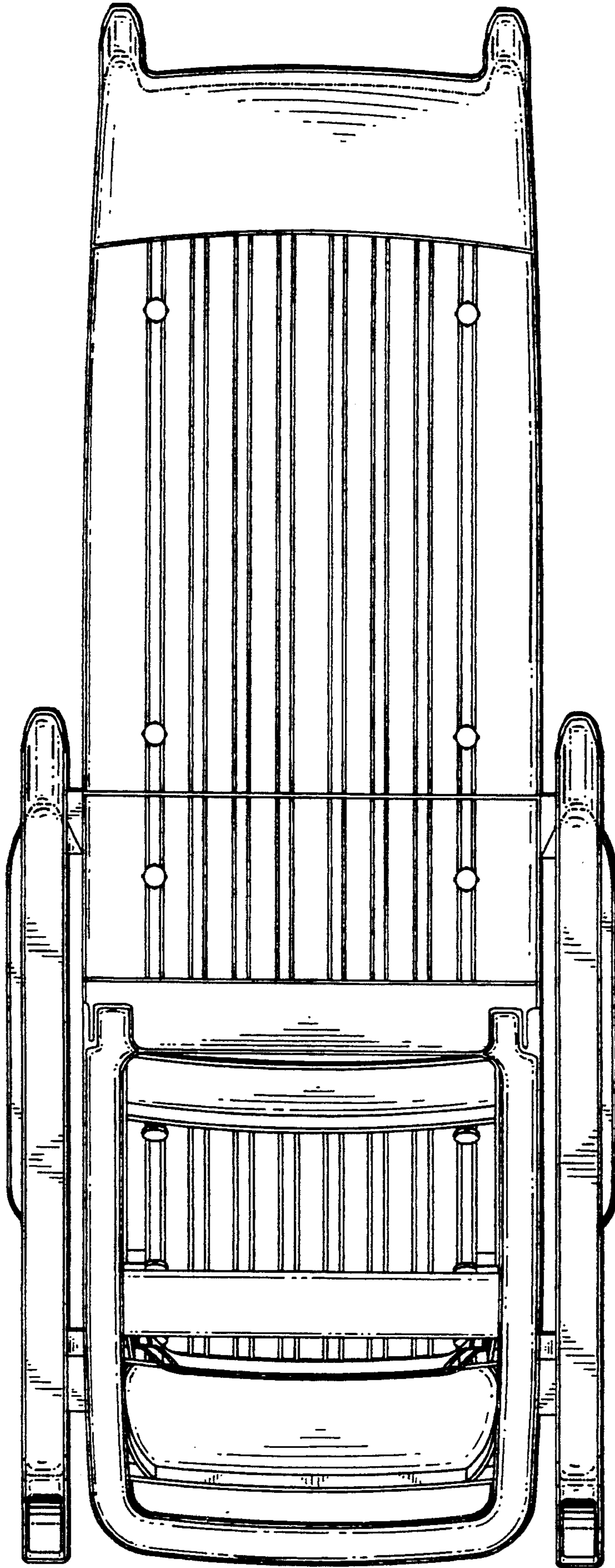


Fig. 12.