



US00D354395S

United States Patent [19]

Harrold et al.

[11] Patent Number: **Des. 354,395**

[45] Date of Patent: **** Jan. 17, 1995**

[54] **FLOATING TACKLEBOX**

[76] Inventors: **Jack E. Harrold; Carolyn B. Harrold,**
both of 1221 Oakwood Ave.,
Daytona Beach, Fla. 32114

[**] Term: **14 Years**

[21] Appl. No.: **5,262**

[22] Filed: **Mar. 1, 1993**

[52] U.S. Cl. **D3/260**

[58] Field of Search **D3/260, 905; D22/136;**
43/55, 54.1, 56; 206/315.11

4,747,226 5/1988 Todd D22/134 X
4,794,723 1/1989 Arnold et al. 43/55
4,903,429 2/1990 Tetenes 43/55 X
4,972,625 11/1990 Barnes 206/315.11

Primary Examiner—A. Hugo Word
Assistant Examiner—Doris V. Coles
Attorney, Agent, or Firm—Hugh E. Smith

[57] CLAIM

The ornamental design for a floating tacklebox, as shown and described.

DESCRIPTION

FIG. 1 is a front elevational view of the floating tacklebox showing our new design;
FIG. 2 is a rear elevational view thereof;
FIG. 3 is a left side elevational view thereof;
FIG. 4 is a right side elevational view thereof;
FIG. 5 is a top plan view thereof; and,
FIG. 6 is a bottom plan view thereof.

[56] References Cited

U.S. PATENT DOCUMENTS

D. 309,937 8/1990 Baxter D22/134
2,603,028 7/1952 Roberts 43/55
3,717,124 2/1973 Jacobs 43/55
4,638,593 1/1987 Garcia 43/54.1

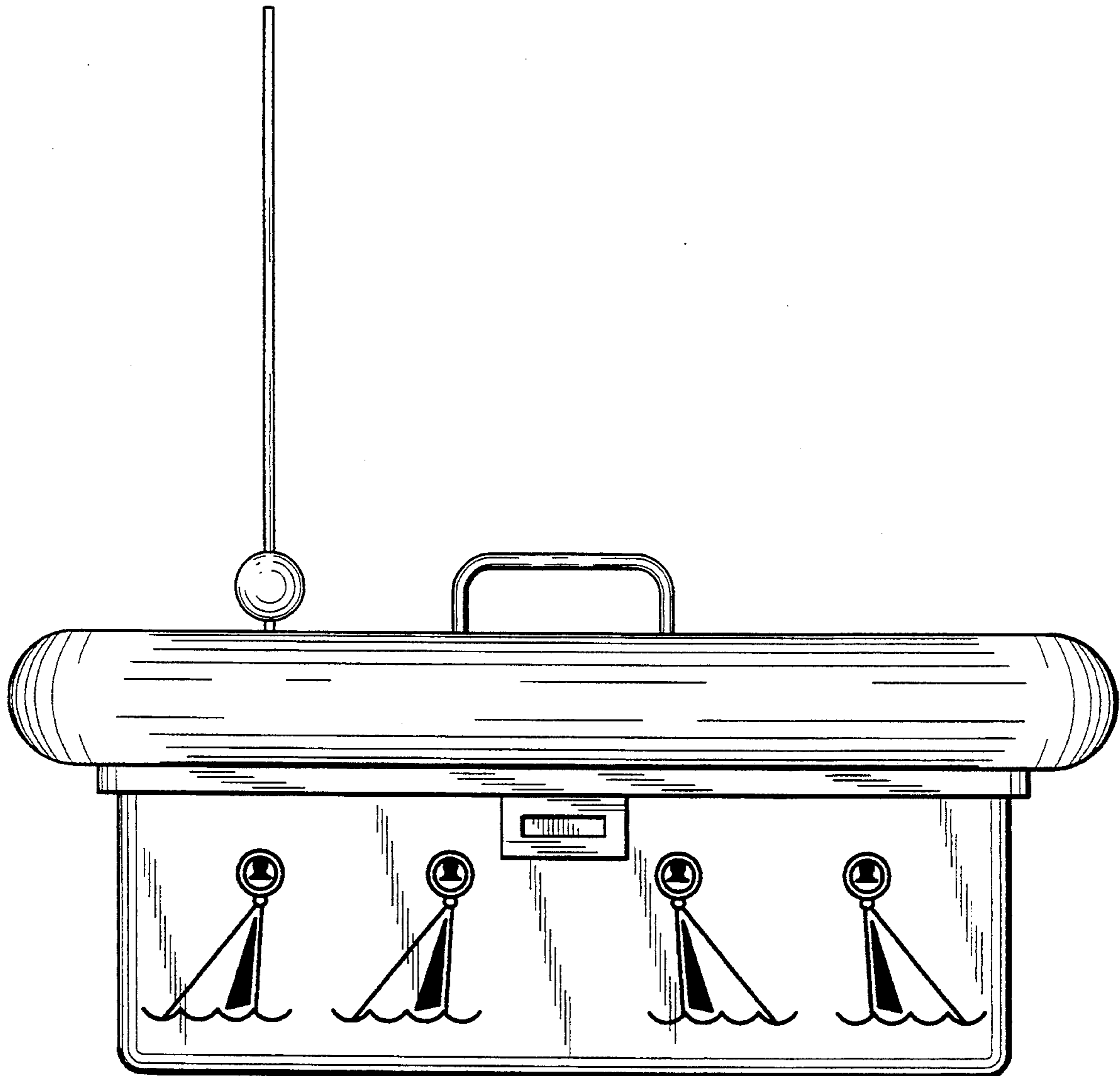


FIG. 1

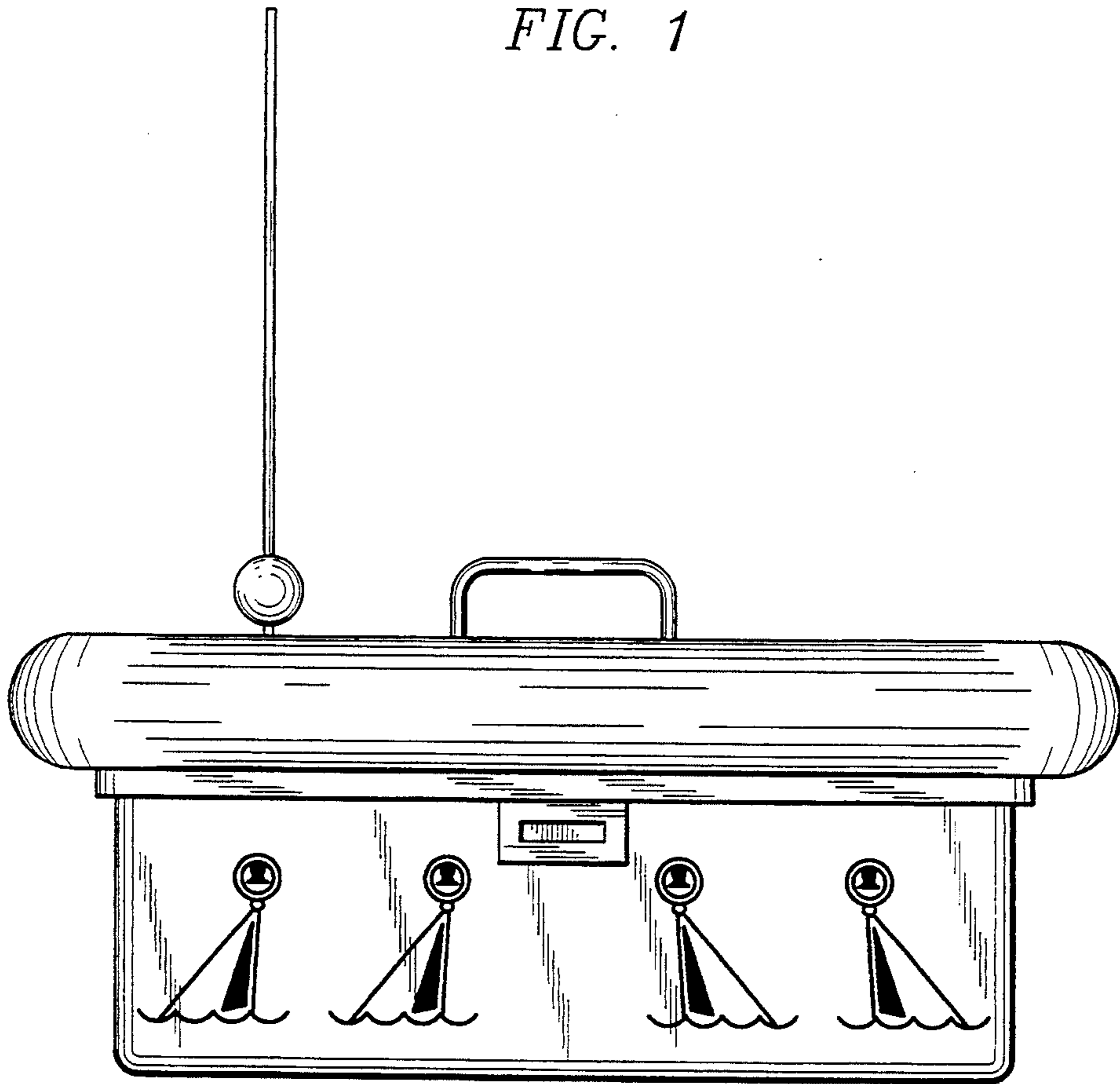


FIG. 2

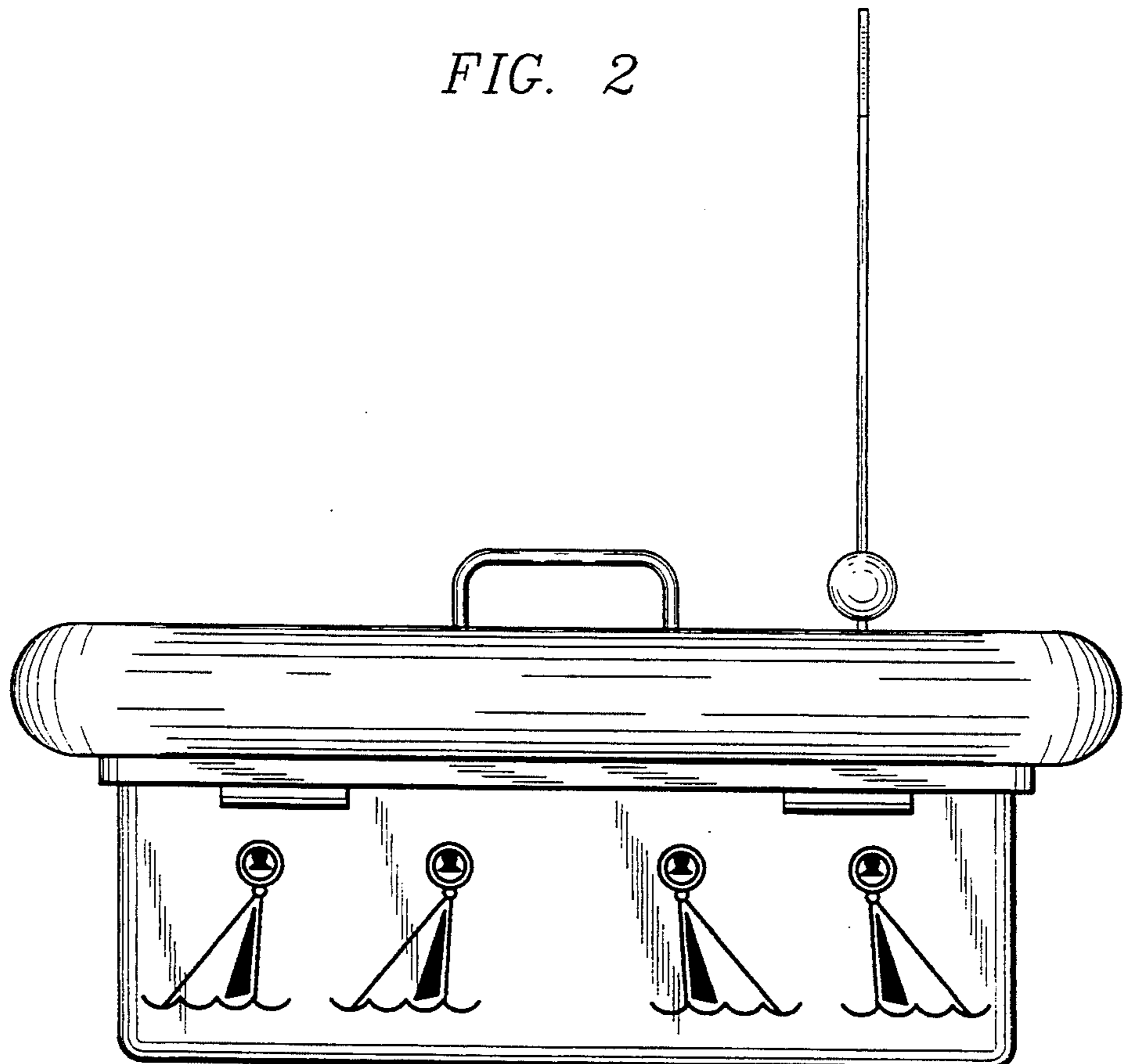


FIG. 3

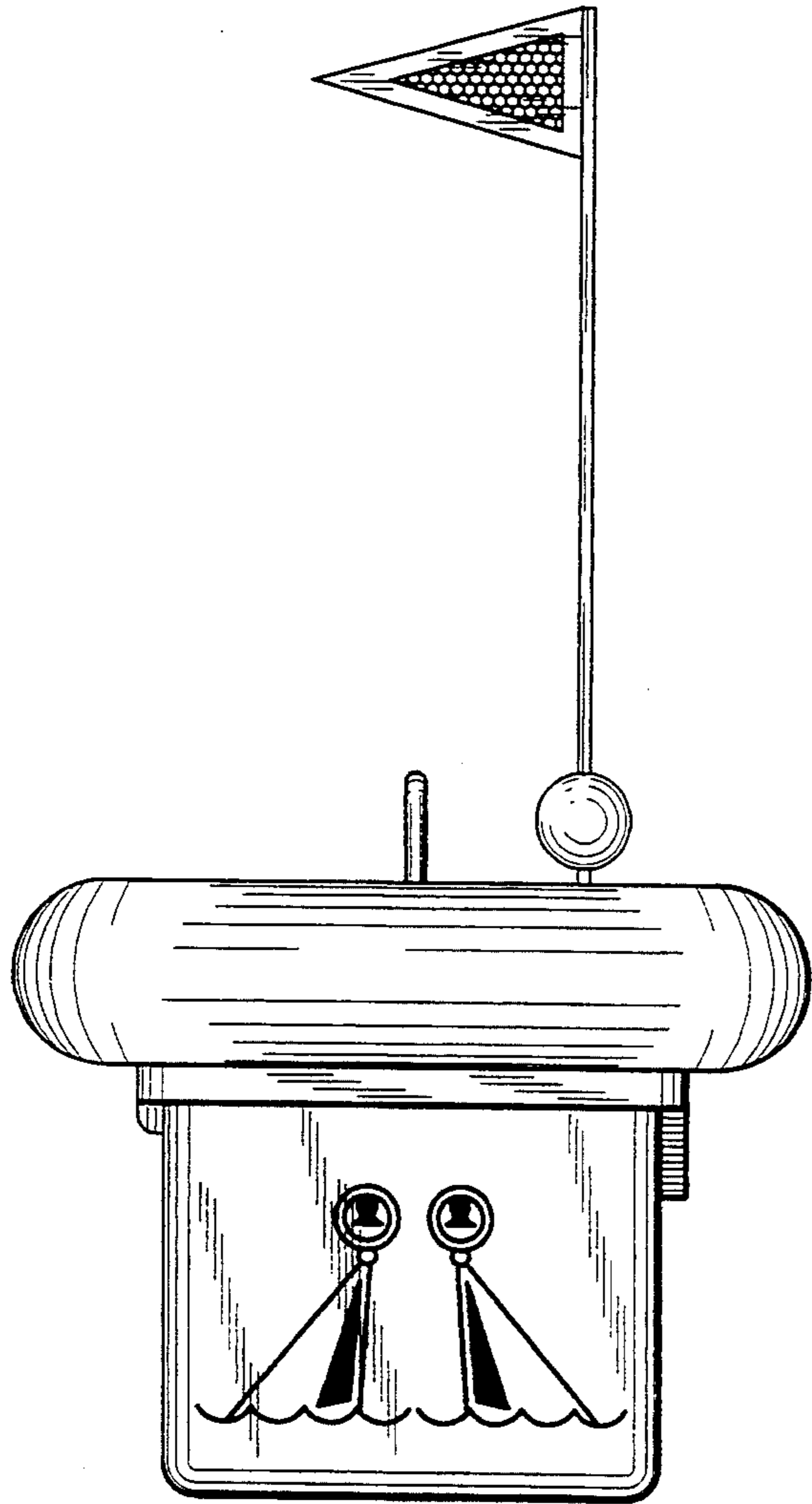


FIG. 4

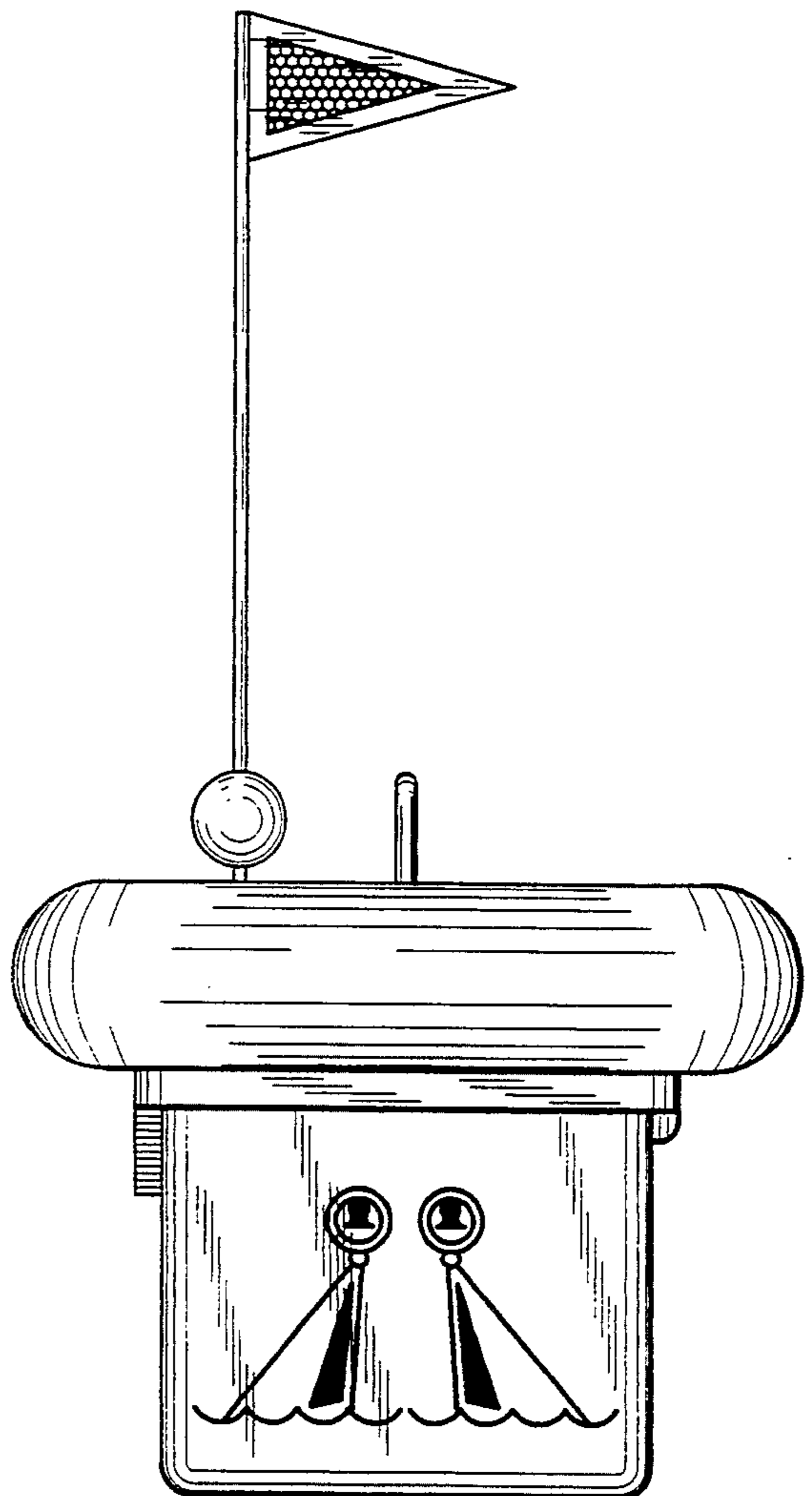


FIG. 5

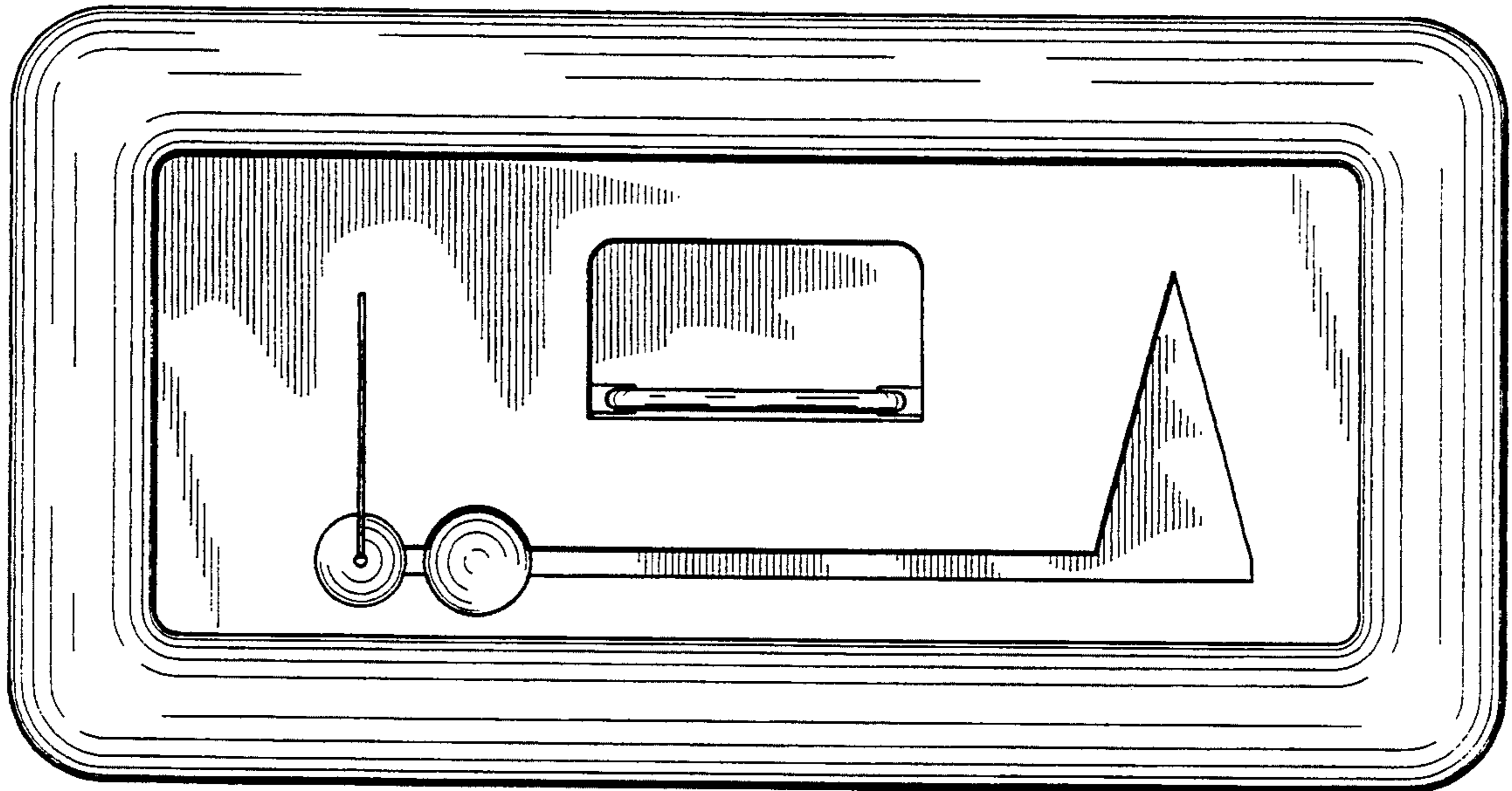


FIG. 6

