



US00D354385S

United States Patent [19]

Ellens et al.

[11] Patent Number: **Des. 354,385**

[45] Date of Patent: **** Jan. 10, 1995**

- [54] **CONVEYOR TROLLEY PUSHER**
- [75] Inventors: **Daniel S. Ellens, Brighton; Robert A. Goryca, Farmington Hill; Theodore A. Tylman, Howell, all of Mich.**
- [73] Assignee: **Jervis B. Webb Company, Farmington Hills, Mich.**
- [**] Term: **14 Years**
- [21] Appl. No.: **4,375**
- [22] Filed: **Feb. 3, 1993**
- [52] U.S. Cl. **D34/29**
- [58] Field of Search **D34/28, 29; 104/172.1, 104/172.3, 162, 178; 198/732, 733**

3,508,498 4/1970 Nearman 104/178
 3,538,854 11/1970 Oranczak 104/178

Primary Examiner—Wallace R. Burke
Assistant Examiner—Robin V. Taylor
Attorney, Agent, or Firm—Joseph W. Farley

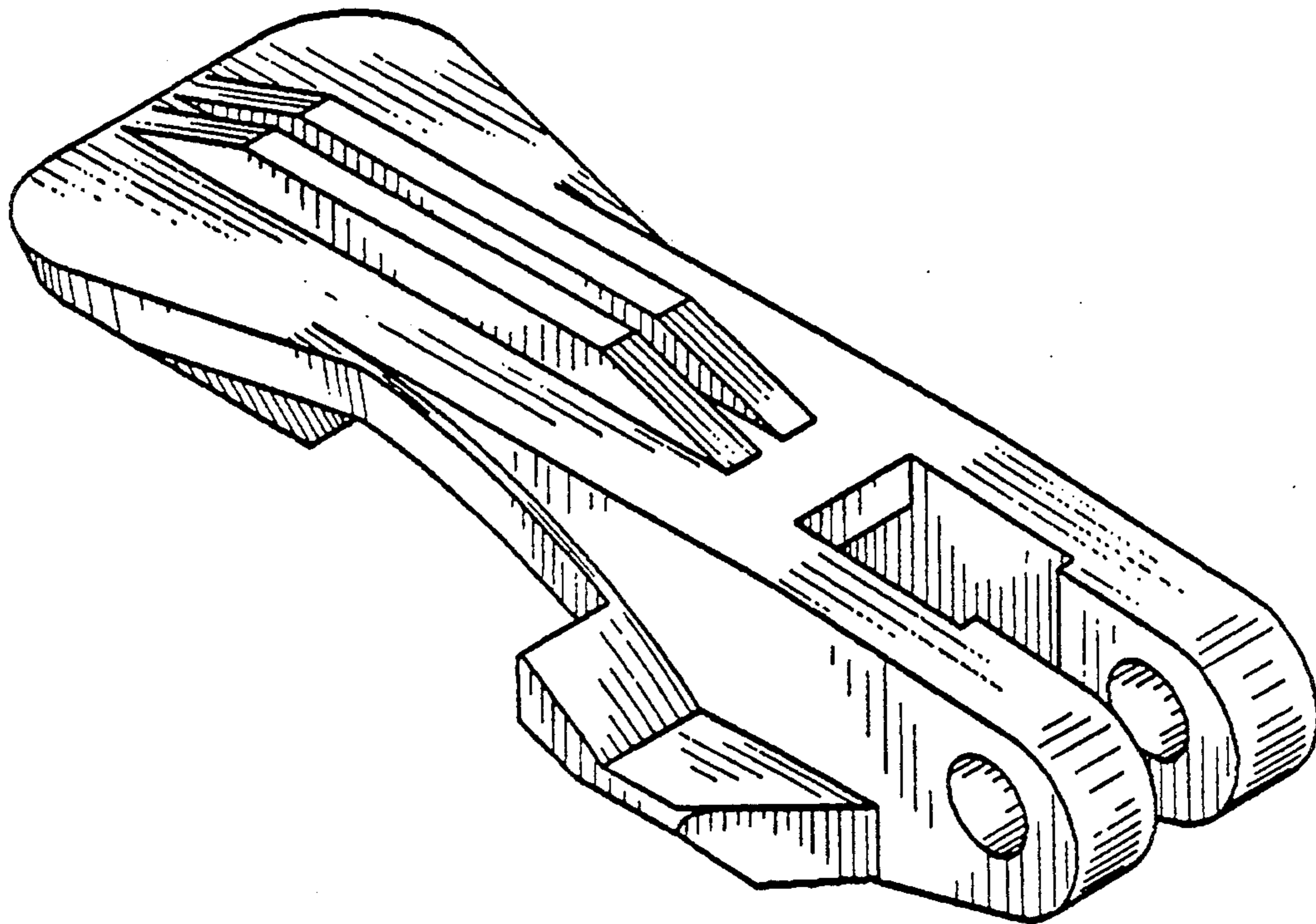
[57] CLAIM

The ornamental design for a conveyor trolley pusher, as shown and described.

DESCRIPTION

FIG. 1 is a top perspective view of a conveyor trolley pusher embodying our design;
 FIG. 2 is a top plan view thereof;
 FIG. 3 is a side elevation view thereof;
 FIG. 4 is a bottom plan view thereof;
 FIG. 5 is an end elevation view thereof, taken from the left-hand side of FIG. 3; and,
 FIG. 6 is an end elevation view thereof, taken from the right-hand side of FIG. 3.
 The side opposite to that shown in FIG. 3 is a mirror image thereof.

- [56] **References Cited**
- U.S. PATENT DOCUMENTS**
- D. 202,814 11/1965 Horsham D34/29
- D. 293,953 1/1988 MacNeil D34/29
- 2,742,863 4/1956 Burkitt 104/178



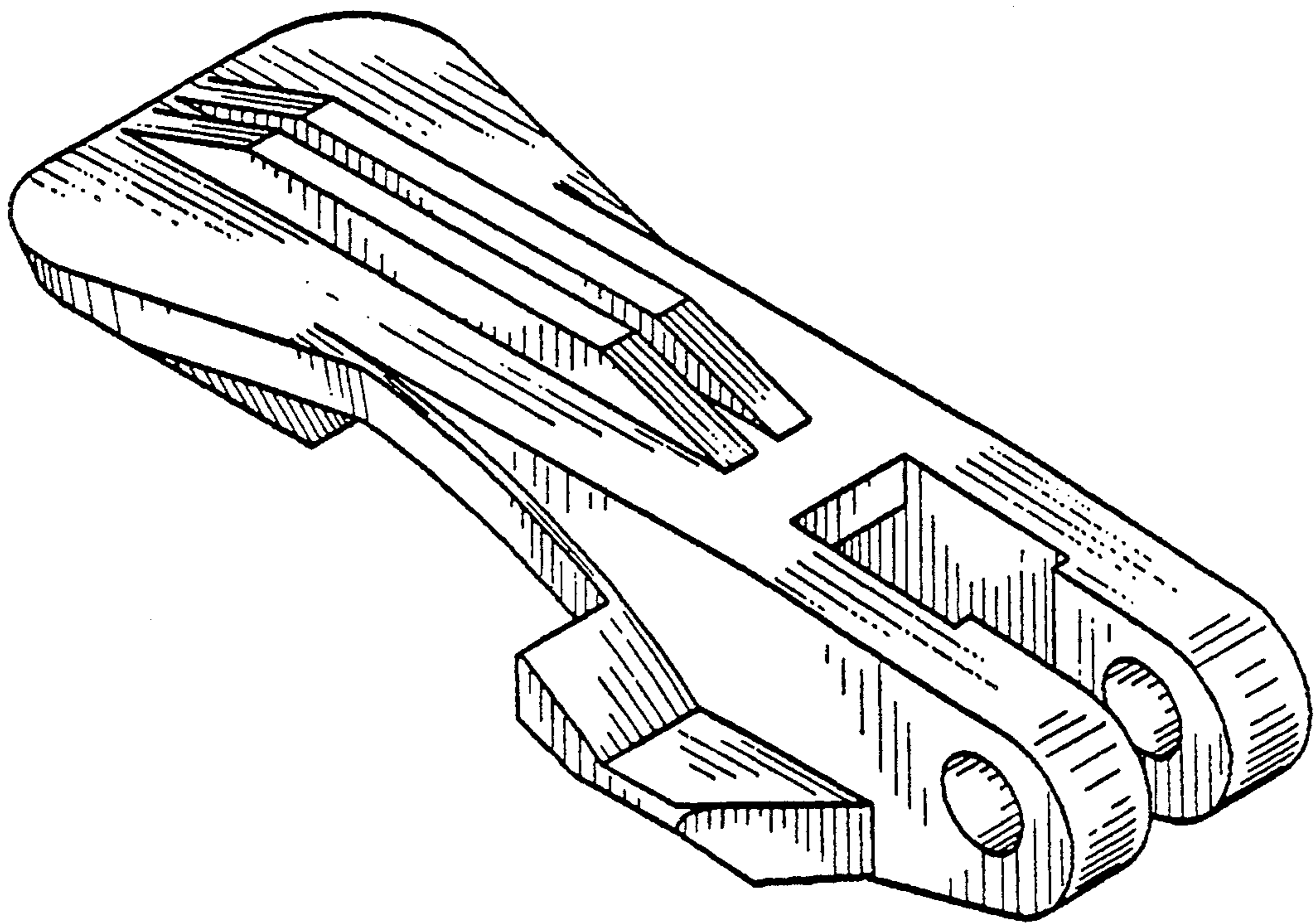


FIG. 1

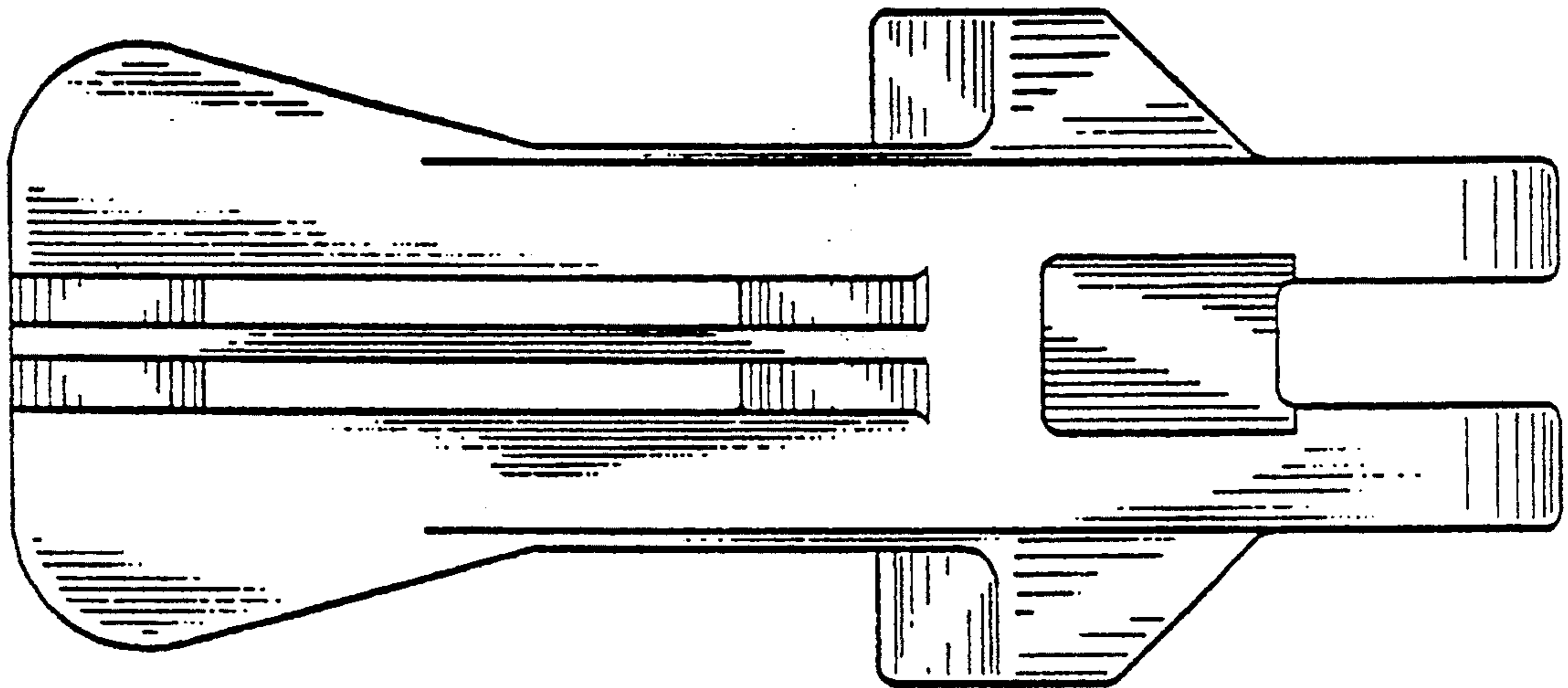


FIG. 2

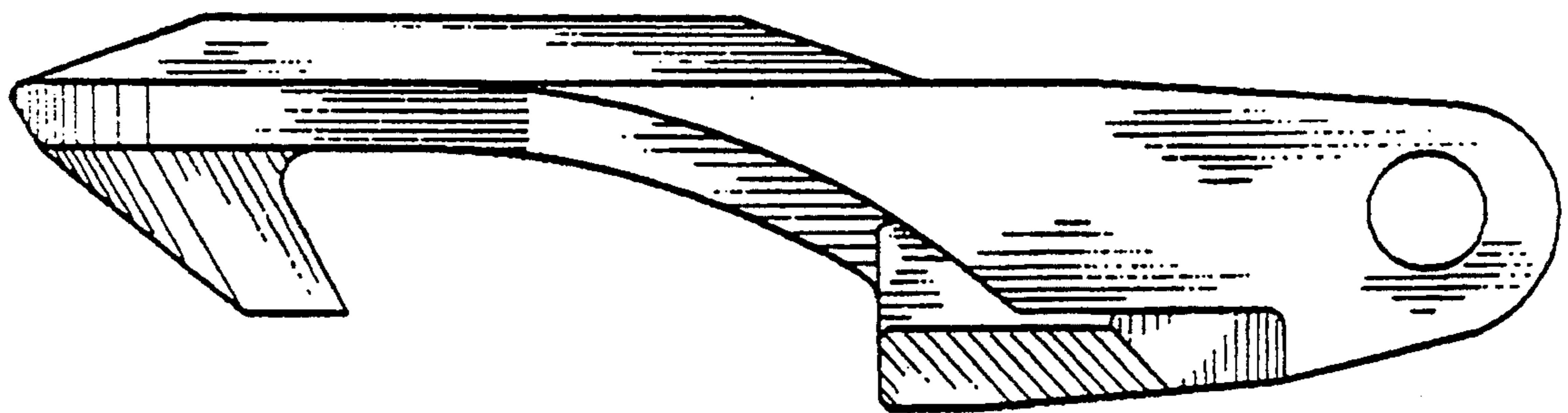


FIG. 3

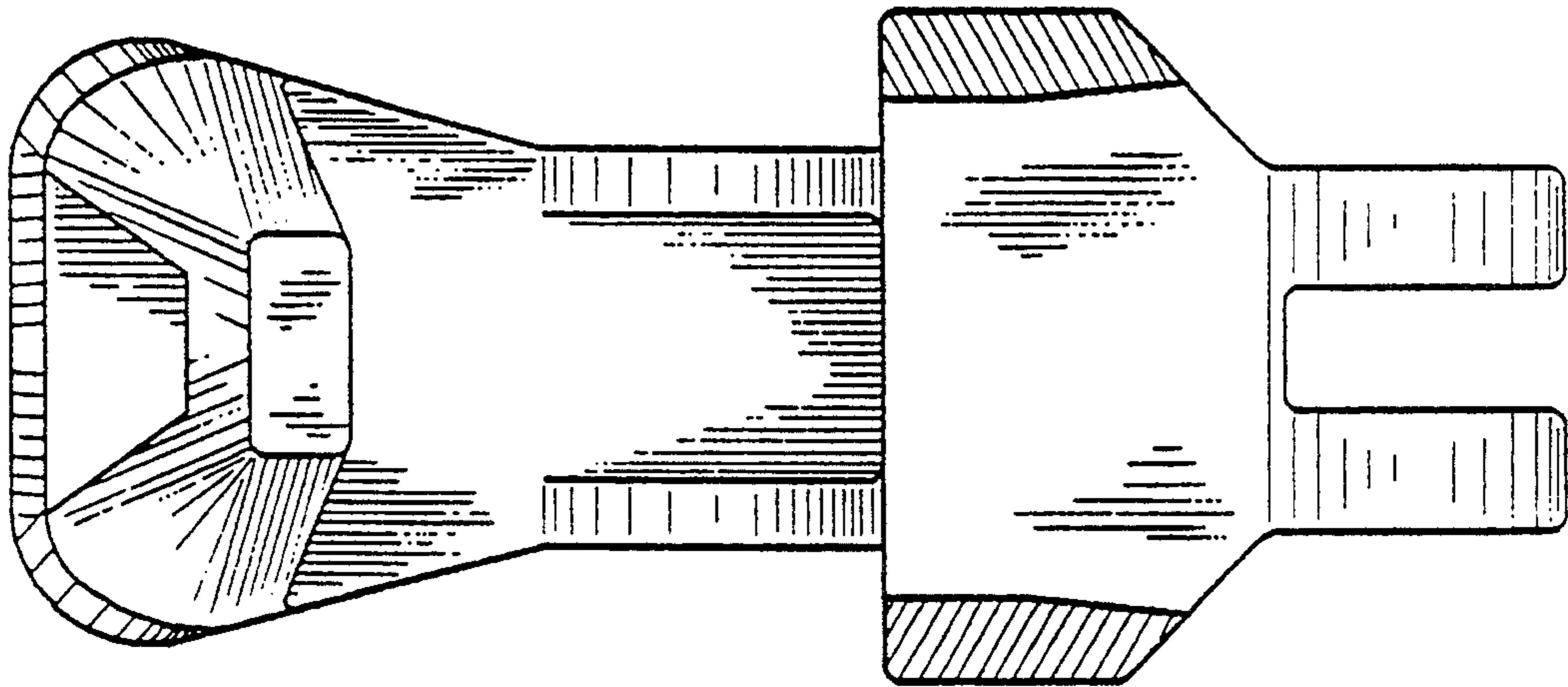


FIG. 4

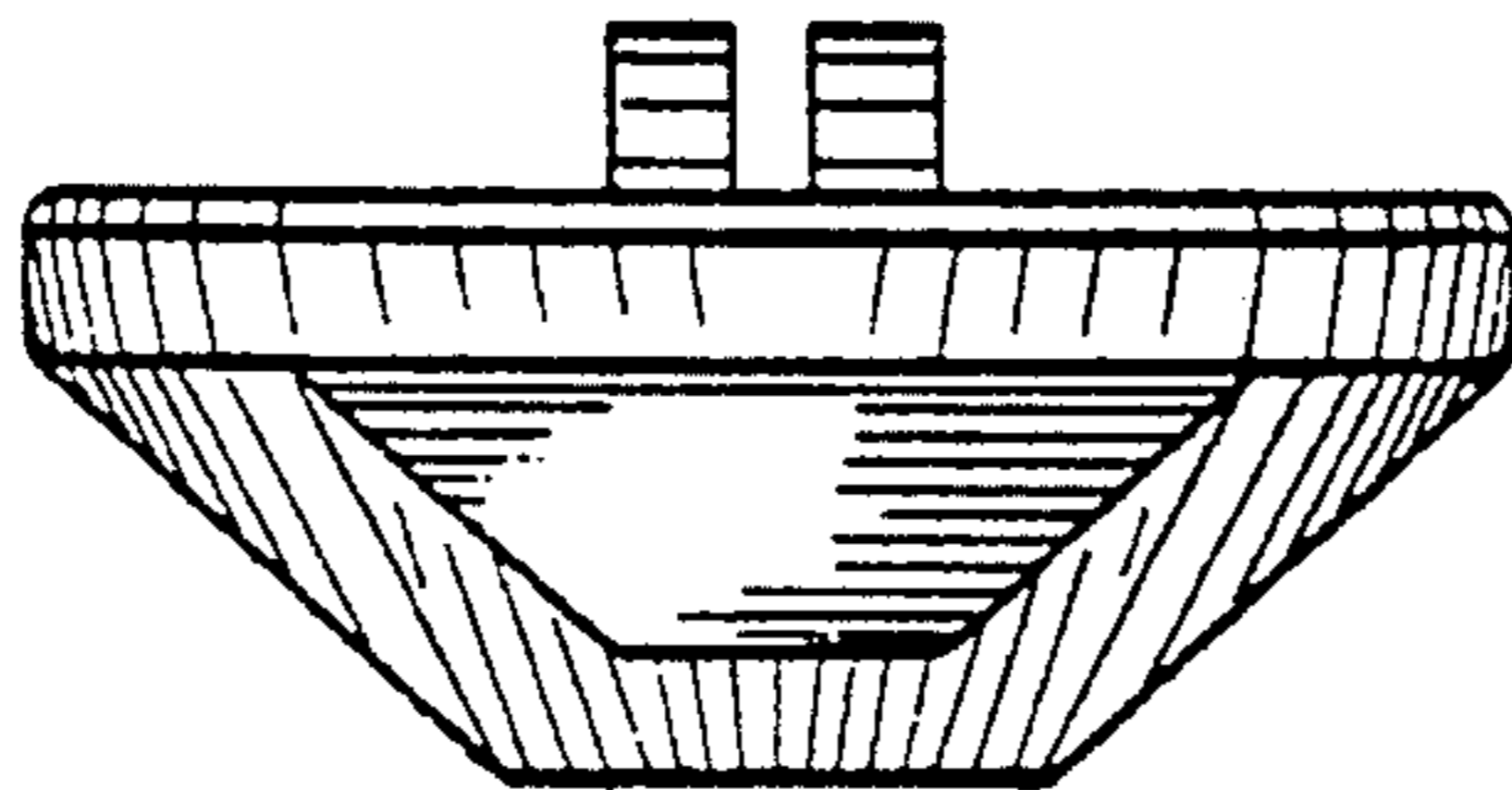


FIG. 5

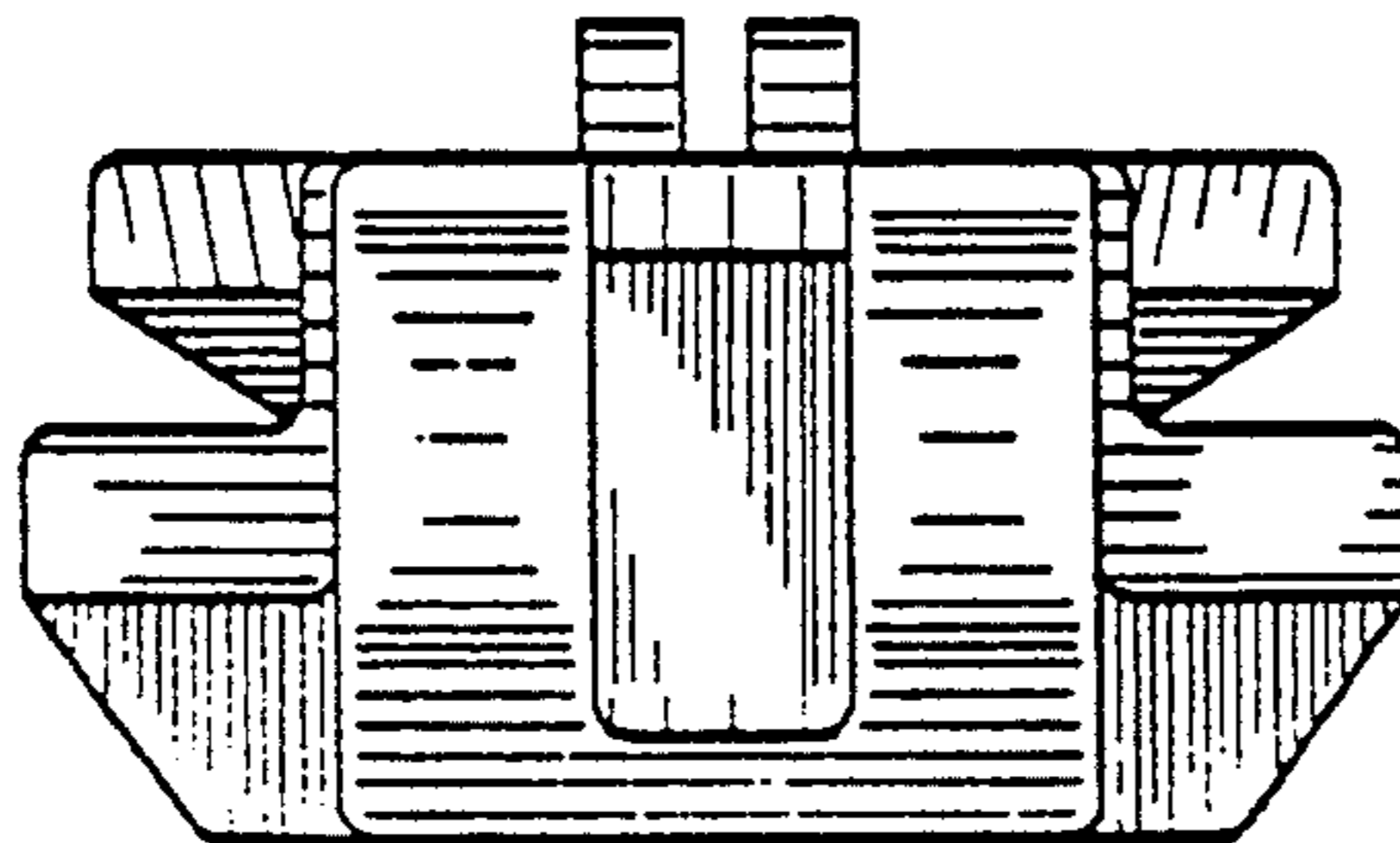


FIG. 6