



US00D354381S

United States Patent [19]

[11] Patent Number: **Des. 354,381**

Hirth, Jr.

[45] Date of Patent: **** Jan. 10, 1995**

[54] **WHEELBARROW WITH RATCHET MECHANISM**

4,854,601 8/1989 Herndon 280/47.31
4,962,833 10/1990 McCurdy .
5,211,254 5/1993 Harris, III et al. 280/47.23

[76] Inventor: **John C. Hirth, Jr.**, 4 DeBow Ter.,
Butler, N.J. 07405

Primary Examiner—Kay H. Chin
Attorney, Agent, or Firm—Terry M. Gernstein

[**] Term: **14 Years**

[57] **CLAIM**

[21] Appl. No.: **10,484**

The ornamental design for a wheelbarrow with ratchet mechanism, as shown and described.

[22] Filed: **Jul. 9, 1993**

[52] U.S. Cl. **D34/16**

DESCRIPTION

[58] Field of Search D34/16, 12, 24, 25,
D34/26; 280/47.23, 47.26, 47.31, 47.11

FIG. 1 is a front, top and side perspective view of the wheelbarrow with ratchet mechanism showing my new design;

[56] **References Cited**

U.S. PATENT DOCUMENTS

2,716,031 8/1955 Roessler 280/47.31
3,950,005 4/1976 Patterson .
4,479,658 10/1984 Michaux .
4,767,128 8/1988 Terhune .

FIG. 2 is a front elevational view thereof;

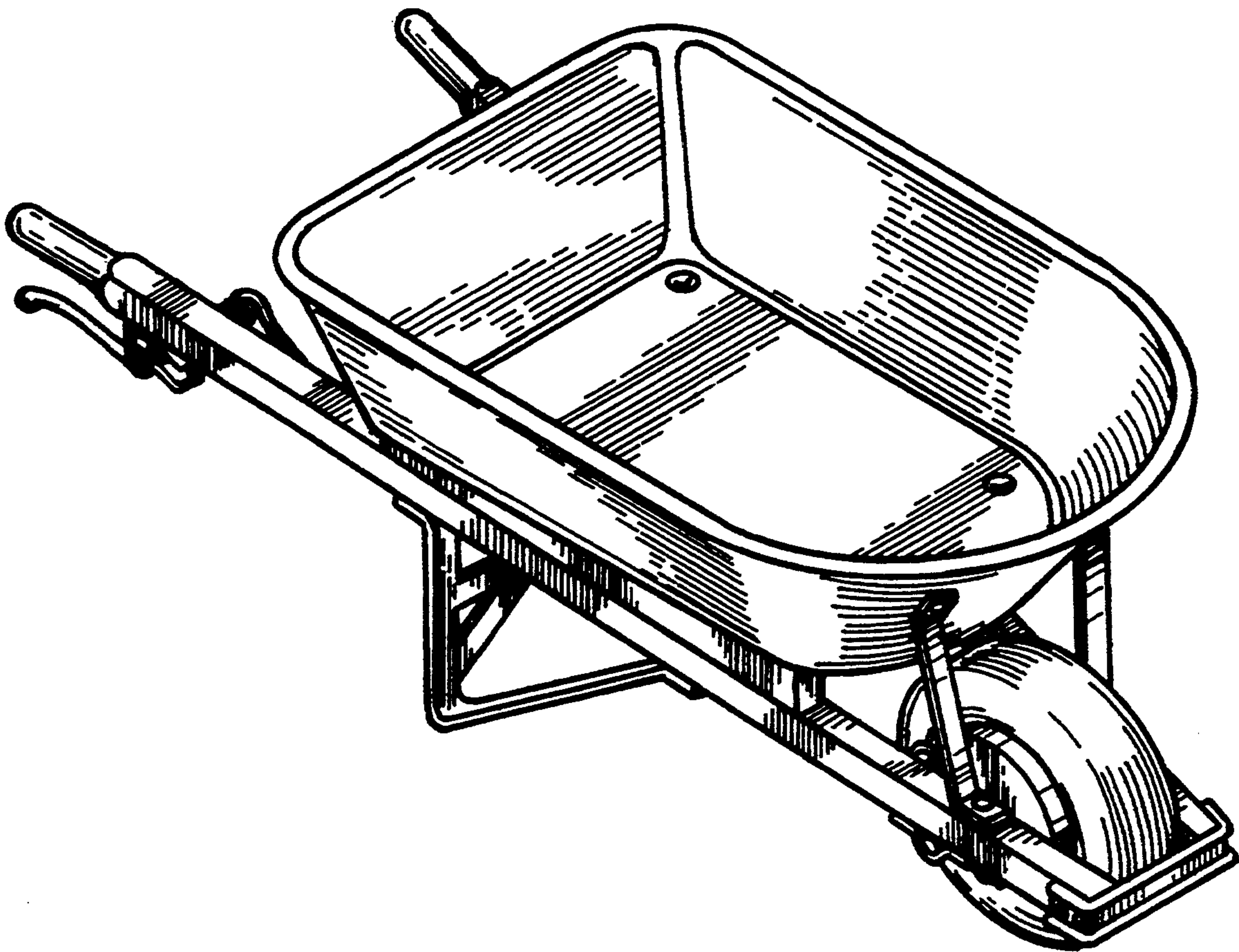
FIG. 3 is a rear elevational view thereof;

FIG. 4 is a side elevational view thereof;

FIG. 5 is a side elevational view thereof;

FIG. 6 is a top plan view thereof; and,

FIG. 7 is a bottom plan view thereof.



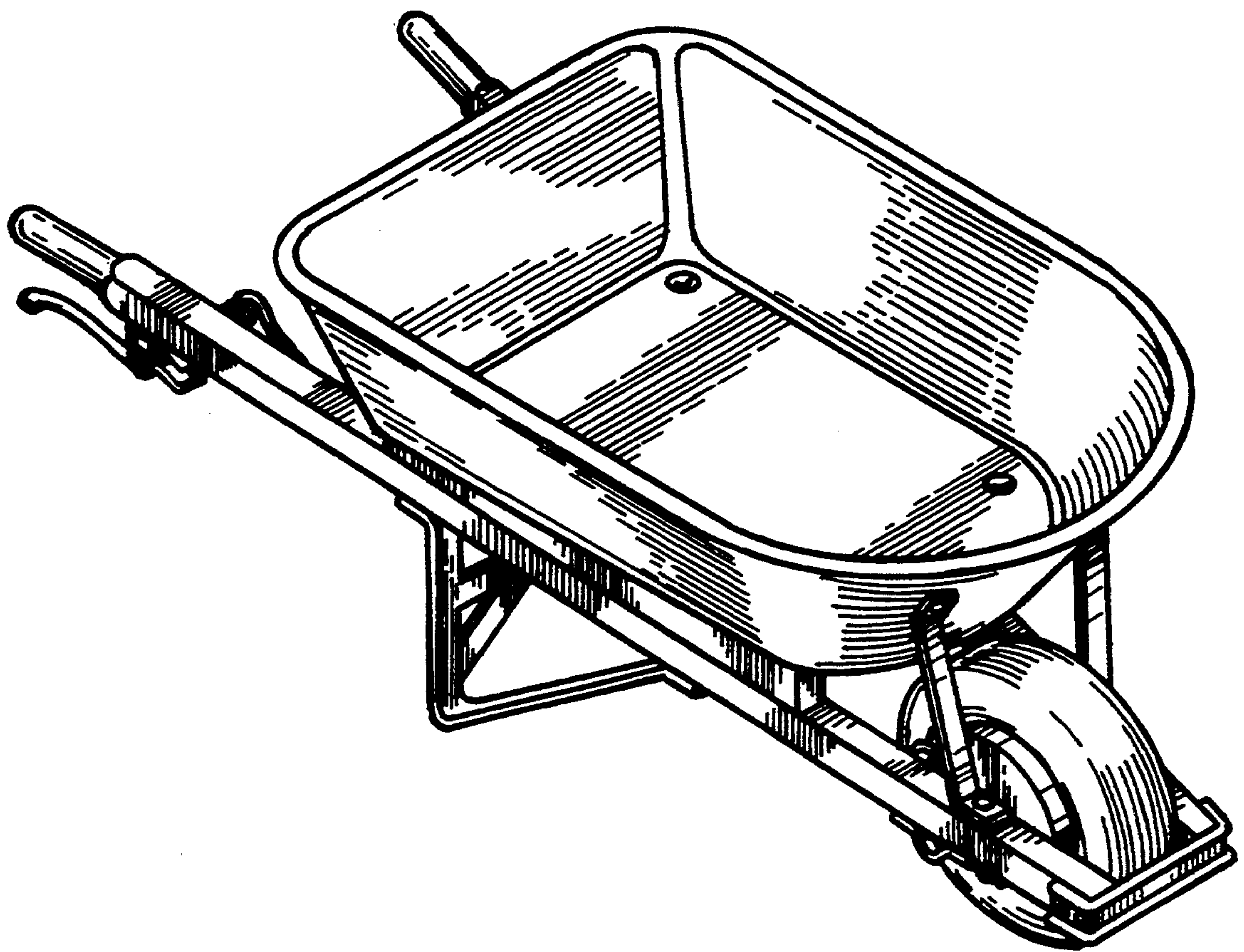


FIG. 1

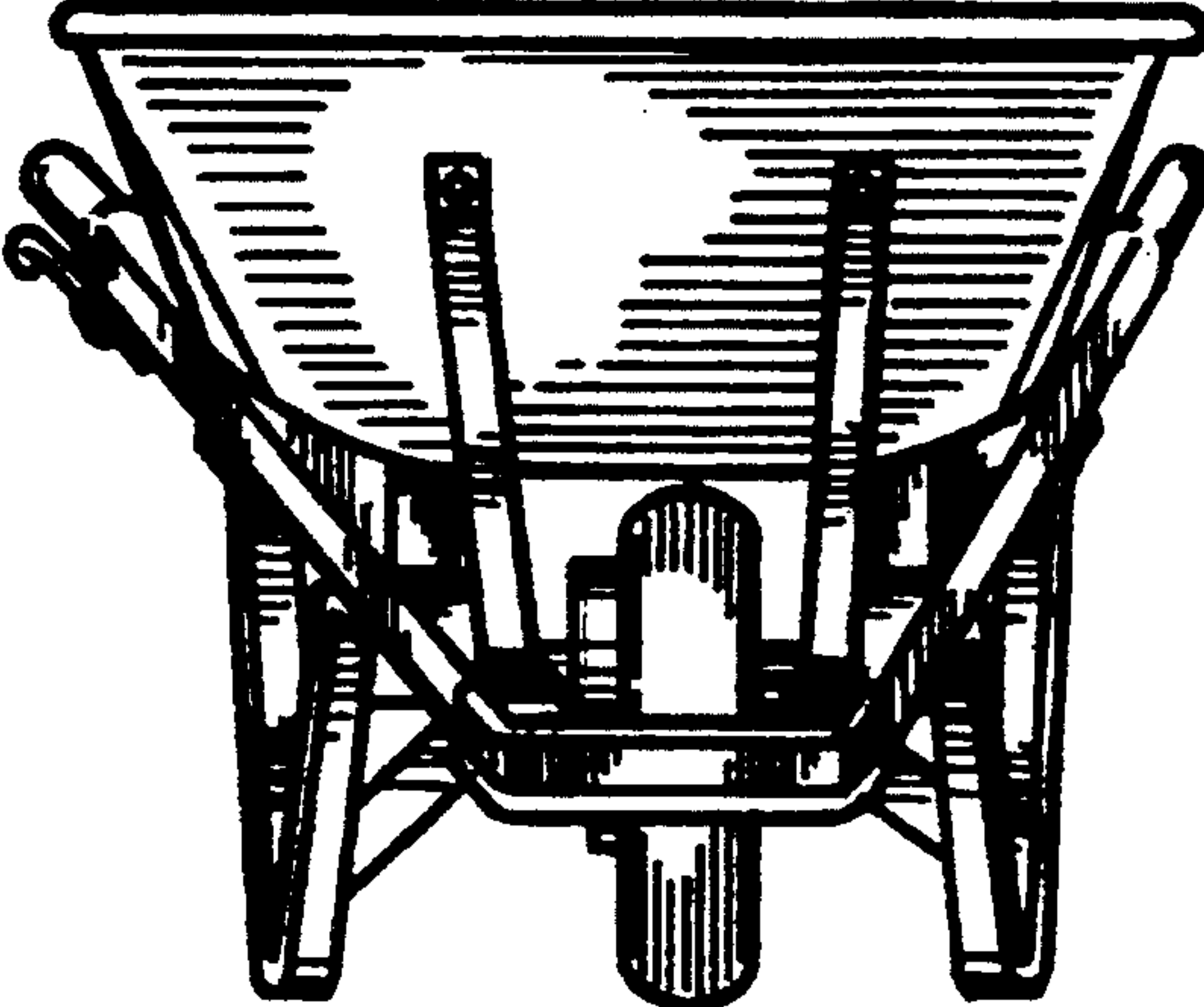


FIG. 2

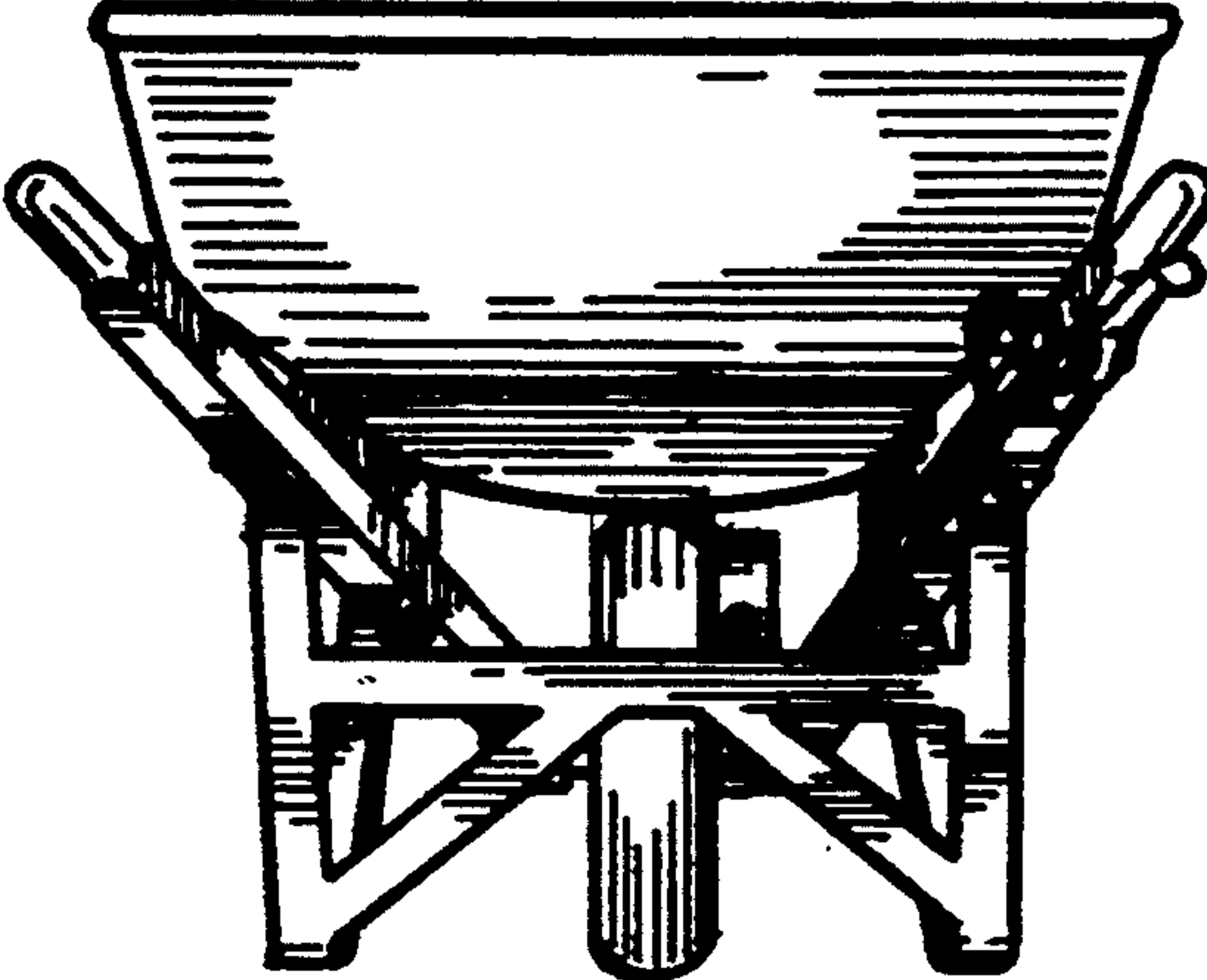


FIG. 3

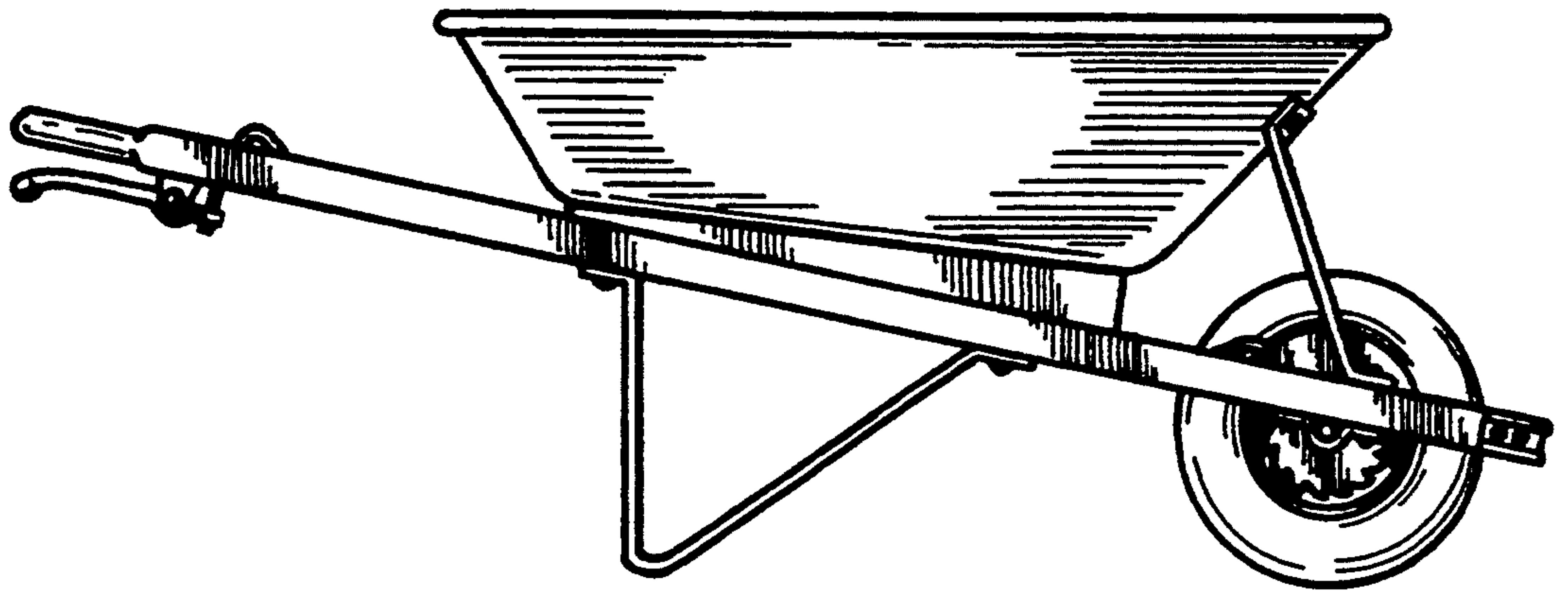


FIG. 4

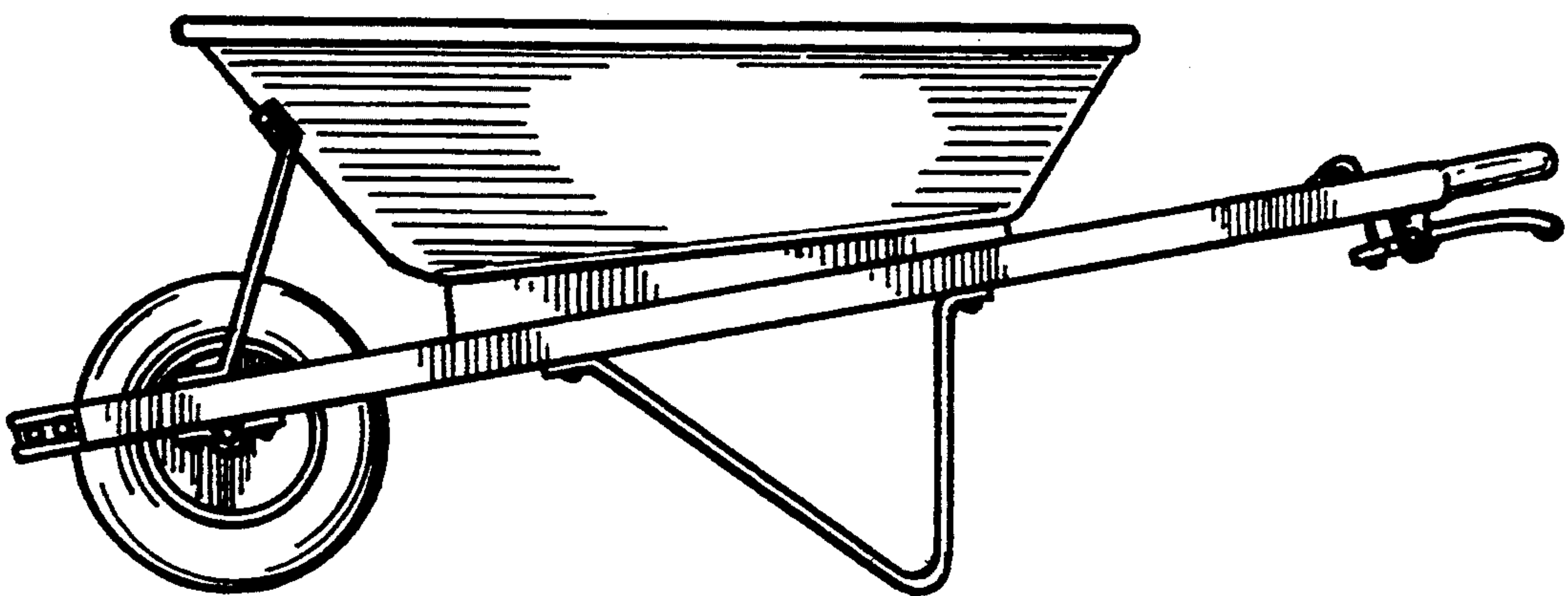


FIG. 5

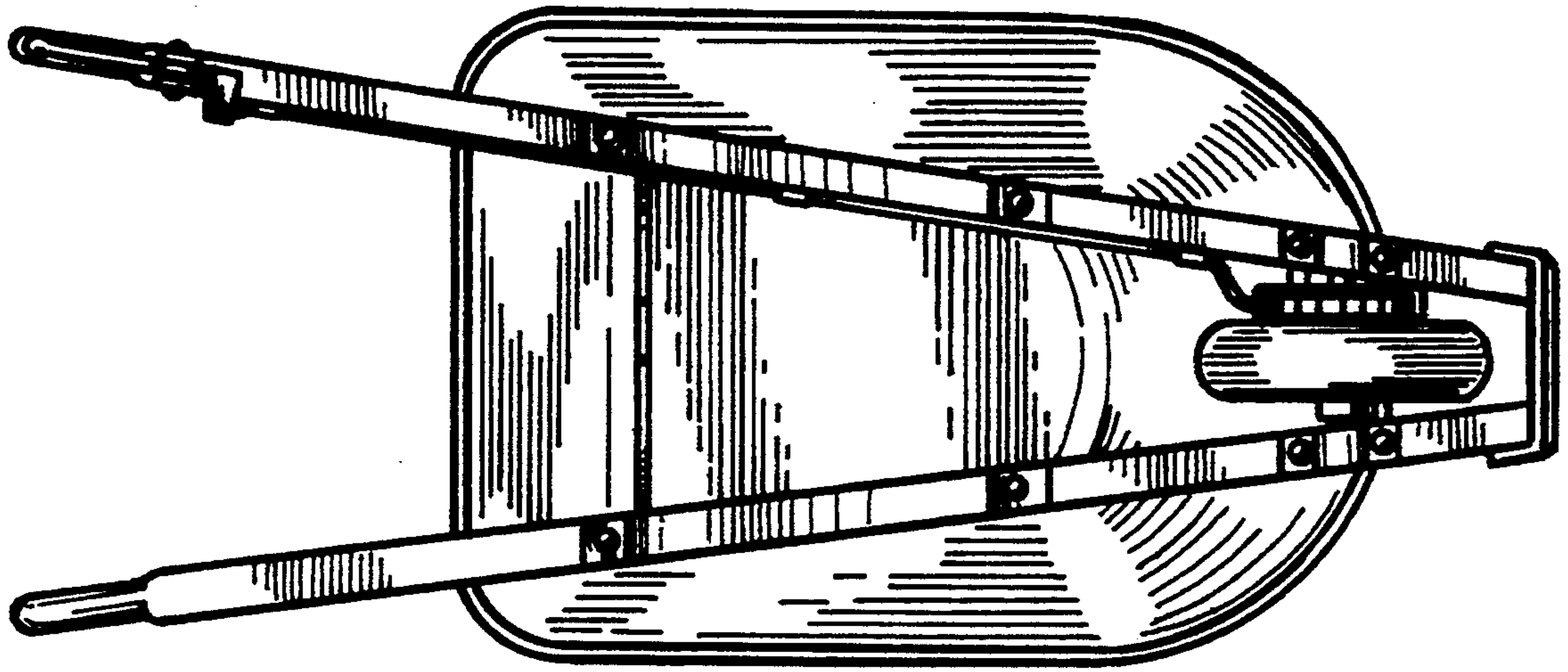


FIG. 6

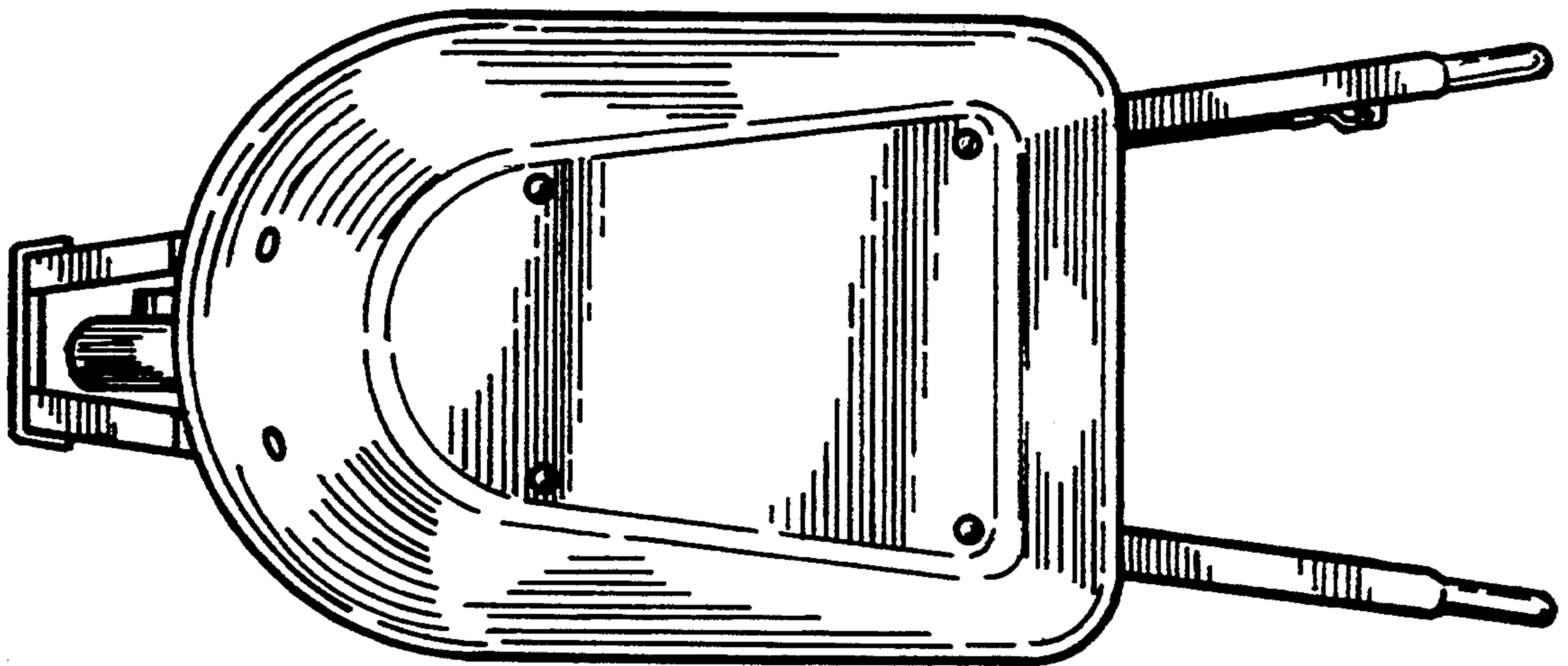


FIG. 7