



US00D354378S

United States Patent [19]

[11] Patent Number: **Des. 354,378**

McKnight et al.

[45] Date of Patent: **** Jan. 10, 1995**

[54] **UTILITY BLOWER**

[75] Inventors: **Darwin T. McKnight**, Louisville;
Richard A. Wareham, North Canton,
both of Ohio

[73] Assignee: **The Hoover Company**, North Canton,
Ohio

[**] Term: **14 Years**

[21] Appl. No.: **8,515**

[22] Filed: **May 19, 1993**

[52] U.S. Cl. **D32/15**

[58] Field of Search **D32/15, 17, 21;**
15/316.1-318.1, 344, 405

[56] **References Cited**

U.S. PATENT DOCUMENTS

D. 244,524	5/1977	Howard	D15/62
D. 282,396	1/1986	Weaver	D32/15
D. 285,132	8/1986	Smith et al.	D32/15
D. 307,655	5/1990	Hinklin et al.	D32/15
D. 339,432	9/1993	Rakocy et al.	D32/15
D. 340,326	10/1993	Genovese	D32/15

D. 344,615	2/1994	Berfield et al.	D32/15
4,138,761	2/1979	Nauta	15/353
4,797,072	1/1989	Berfield et al.	417/423.2
4,799,287	1/1989	Belanger et al.	15/405
4,836,753	1/1989	Berfield et al.	417/236
4,880,364	11/1989	Berfield et al.	417/423.1
5,183,982	2/1993	Smith et al.	200/61.85

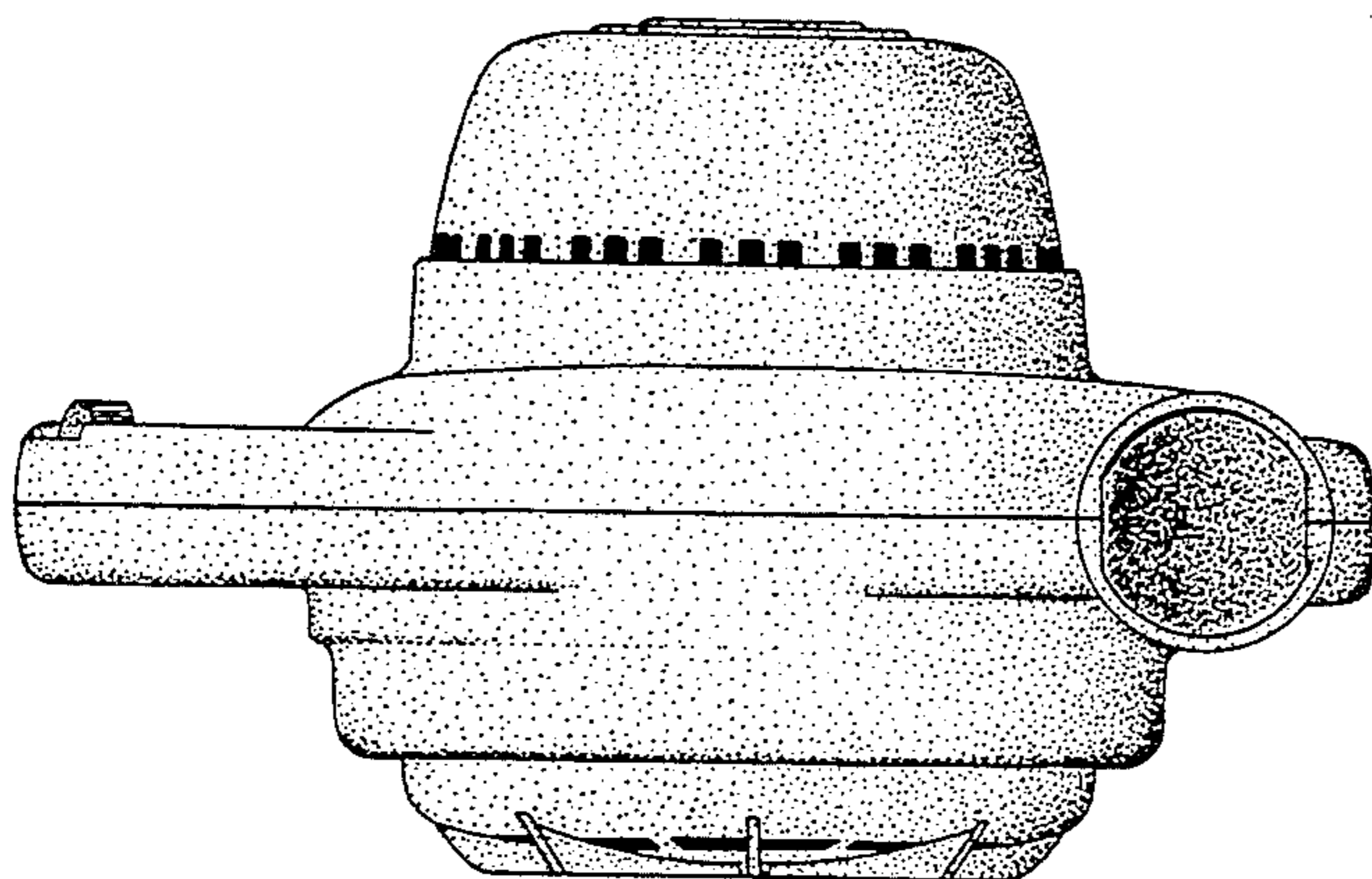
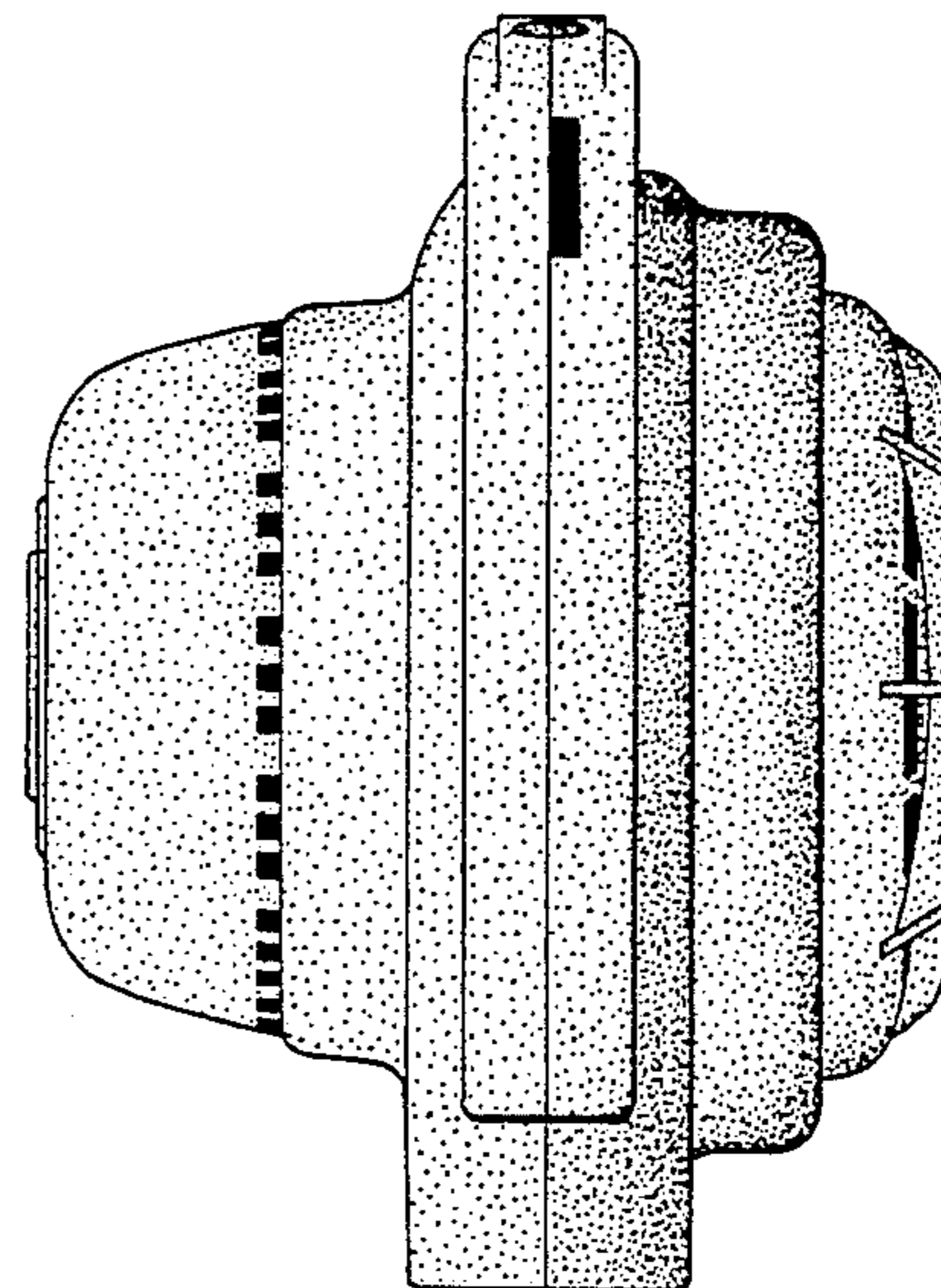
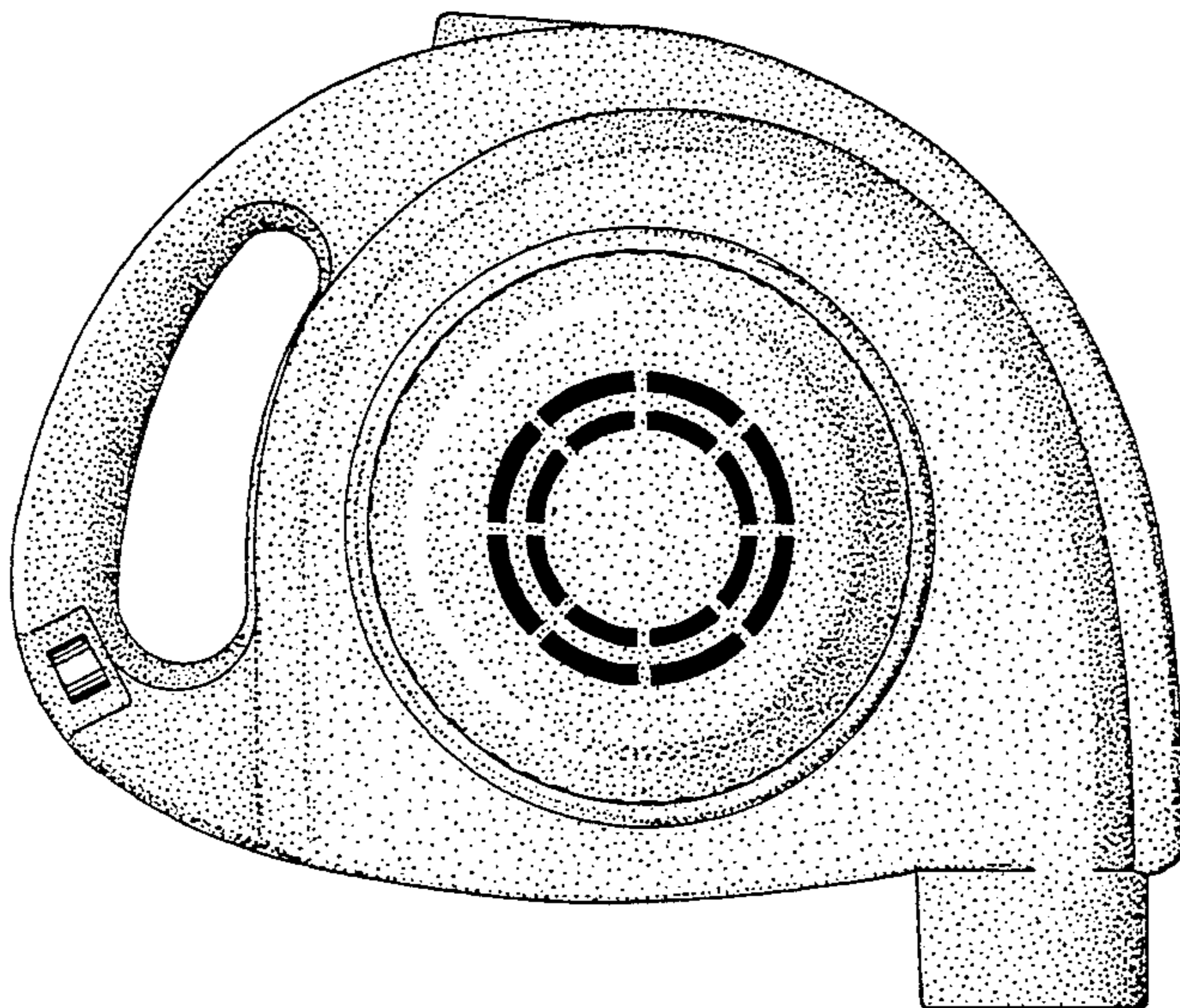
Primary Examiner—Ruth McInroy

[57] **CLAIM**

The ornamental design for a utility blower, as shown and described.

DESCRIPTION

FIG. 1 is a top plan view of a utility blower showing our new design;
 FIG. 2 is a front elevational view thereof;
 FIG. 3 is a bottom plan view thereof;
 FIG. 4 is a left side elevational view thereof rotated counterclockwise 90°;
 FIG. 5 is a right side elevational view thereof rotated clockwise 90°; and,
 FIG. 6 is a rear elevational view thereof.
 The solid black surface shading shown in FIGS. 1-6 is understood to represent openings.



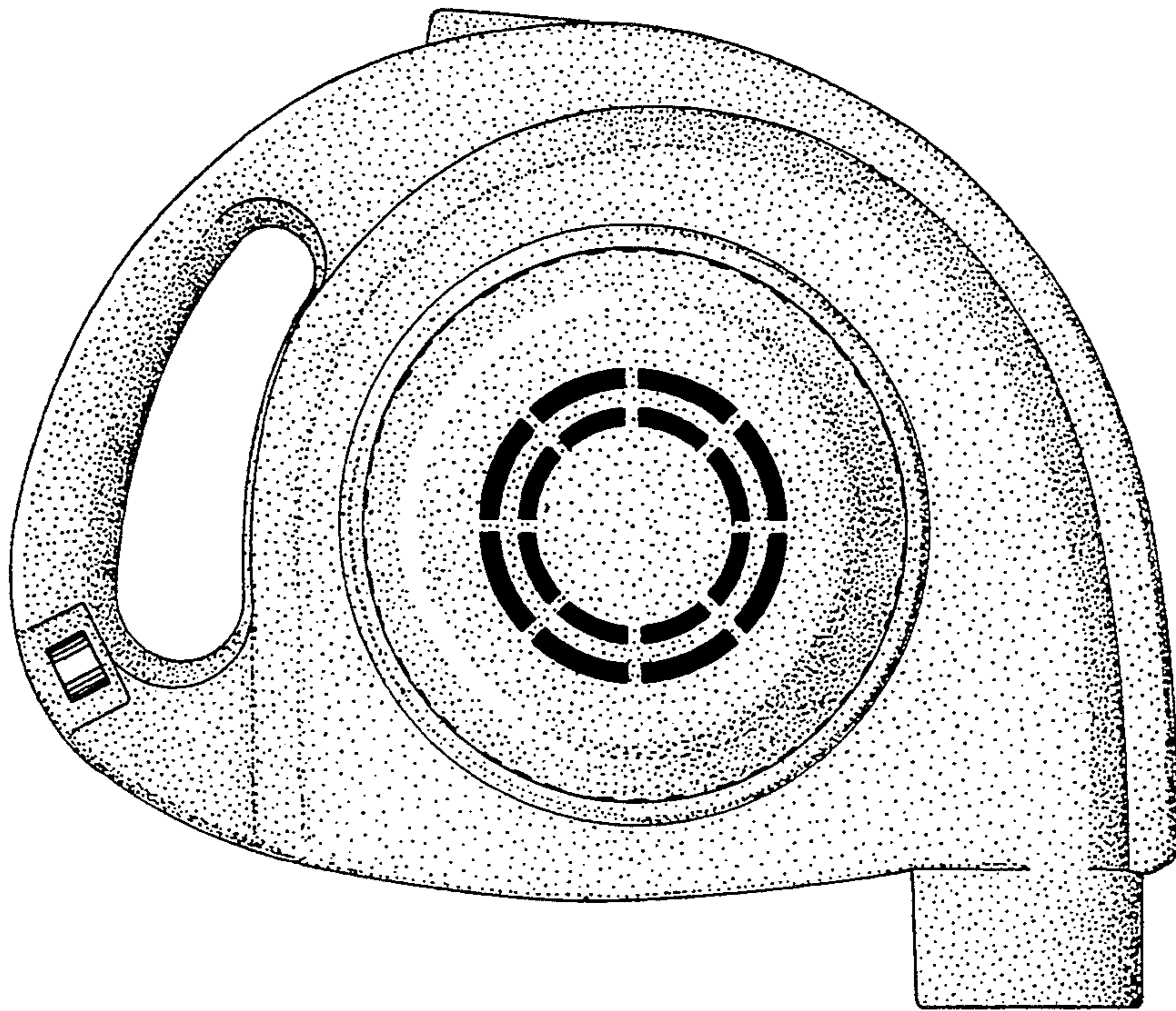


FIG. - 1

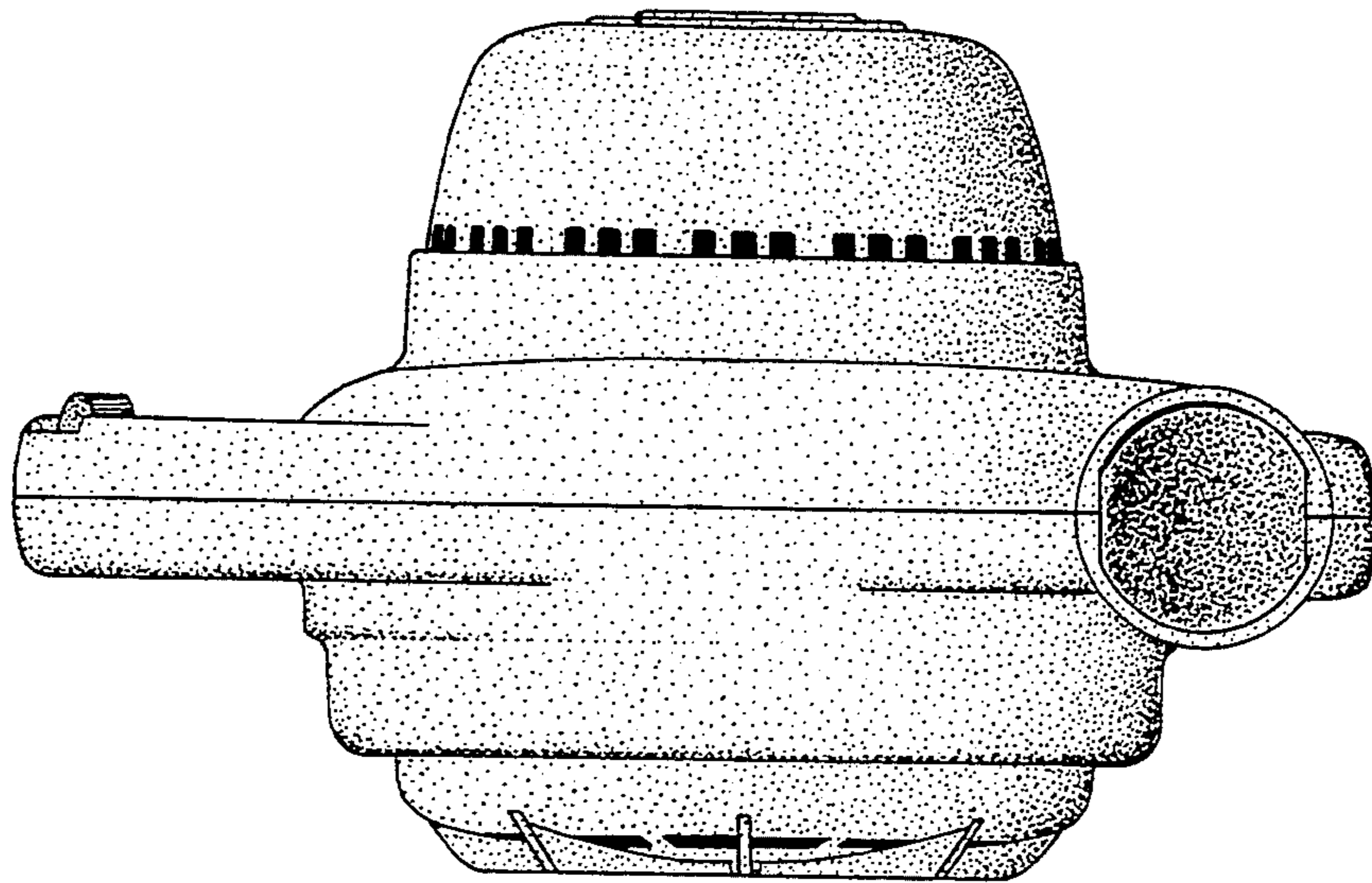


FIG. - 2

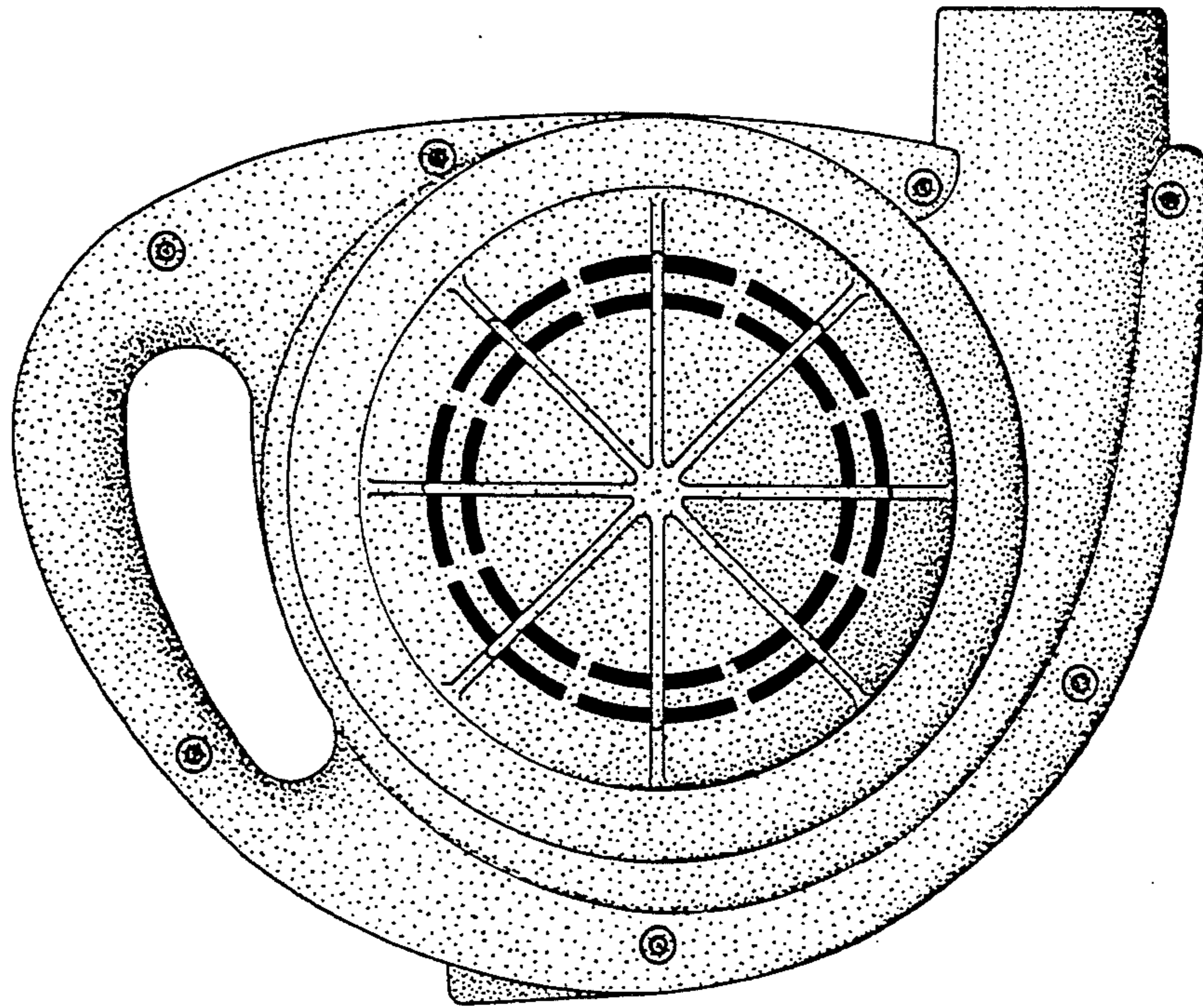


FIG.- 3

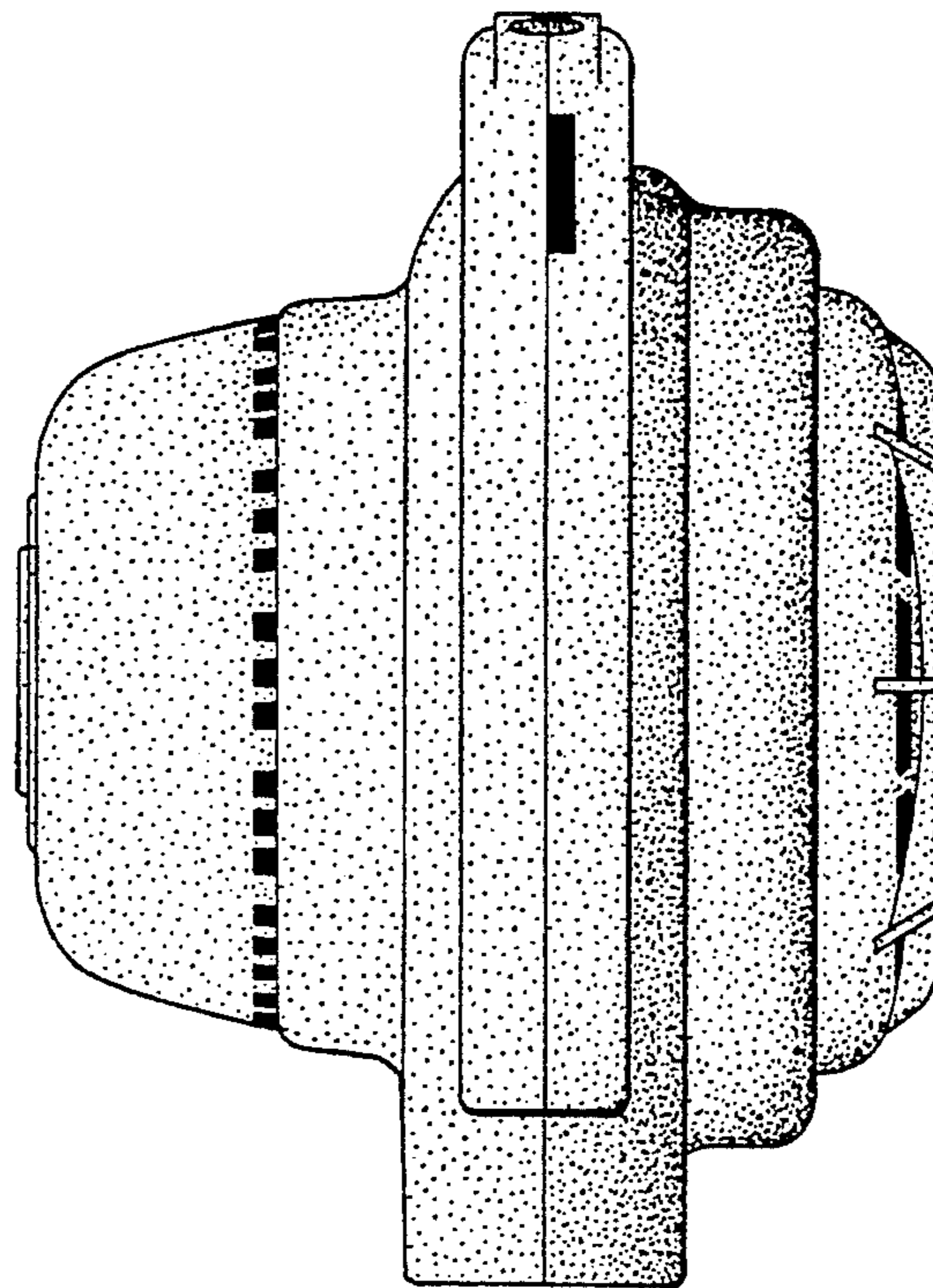


FIG.- 4

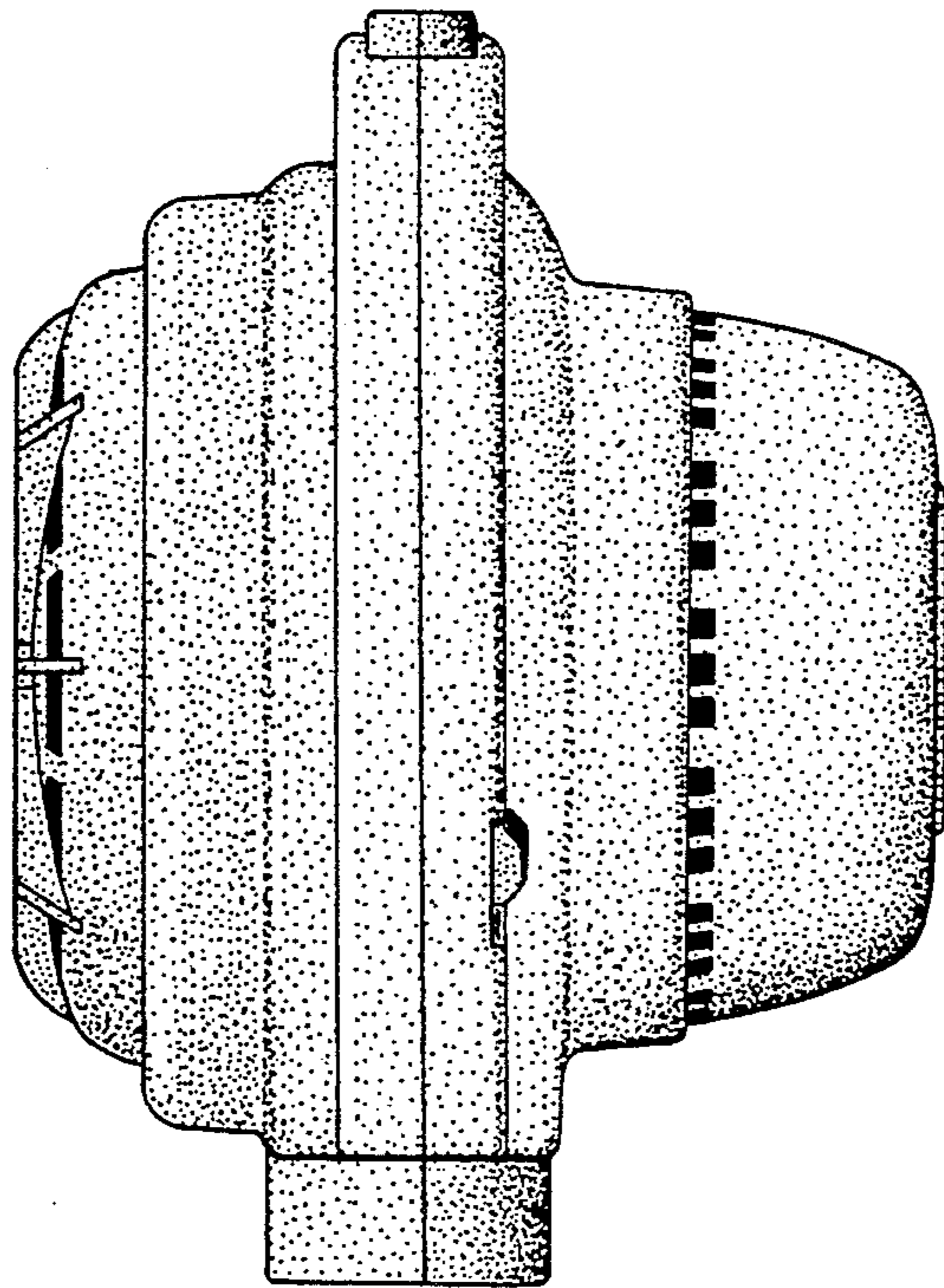


FIG.- 5

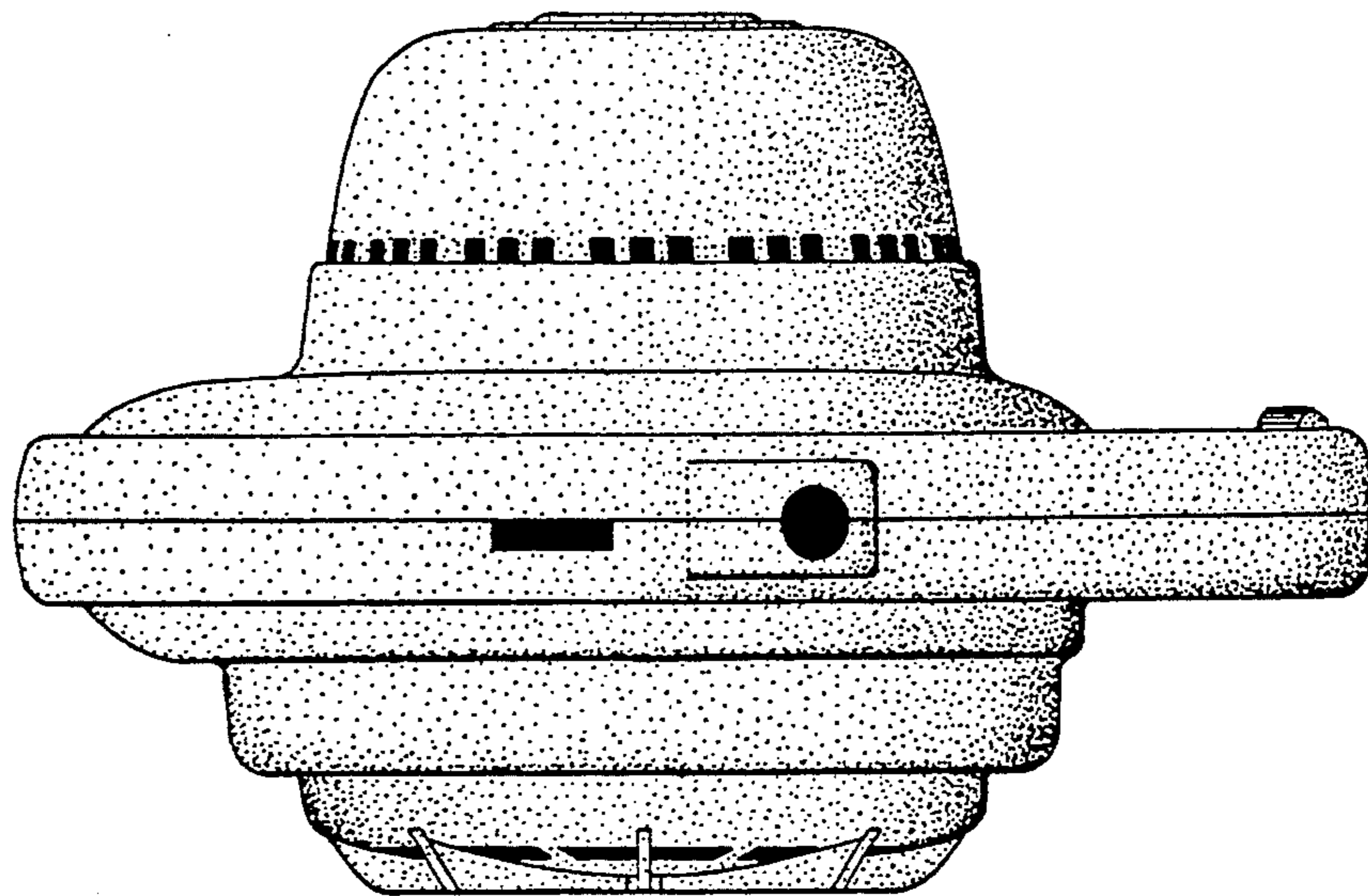


FIG.- 6