



US00D354372S

United States Patent [19] Gaynor

[11] Patent Number: **Des. 354,372**
[45] Date of Patent: **** Jan. 10, 1995**

[54] **MANICURIST UTENSIL STAND**
[75] Inventor: **Lawrence D. Gaynor**, West Bloomfield, Mich.
[73] Assignee: **Nailco, Inc.**, Livonia, Mich.
[**] Term: **14 Years**
[21] Appl. No.: **1,735**
[22] Filed: **Nov. 23, 1992**
[52] U.S. Cl. **D28/61**
[58] Field of Search **D6/464-470; D9/457; D7/701-708, 601-602, 553; D3/901; D19/77, 81; 248/174; 211/74, 132; D28/76, 77, 61**

2,344,273 3/1944 Simon 211/132
2,805,033 9/1957 Rous 248/174
2,829,778 4/1958 Carabet 211/74 X
3,480,152 11/1969 Walsh 211/74
3,850,114 11/1974 Ganteaume D7/553 X
4,503,975 3/1985 Meyers et al. D7/601 X
4,907,705 3/1990 Waldeck 248/174 X

OTHER PUBLICATIONS

The Lighter Side Catalog, p. 58.
"Retailing Home Furnishing", Jul. 11, 1983, Section 2.

Primary Examiner—Alan P. Douglas
Assistant Examiner—S. Snapp
Attorney, Agent, or Firm—Dykema Gossett

[56] References Cited

U.S. PATENT DOCUMENTS

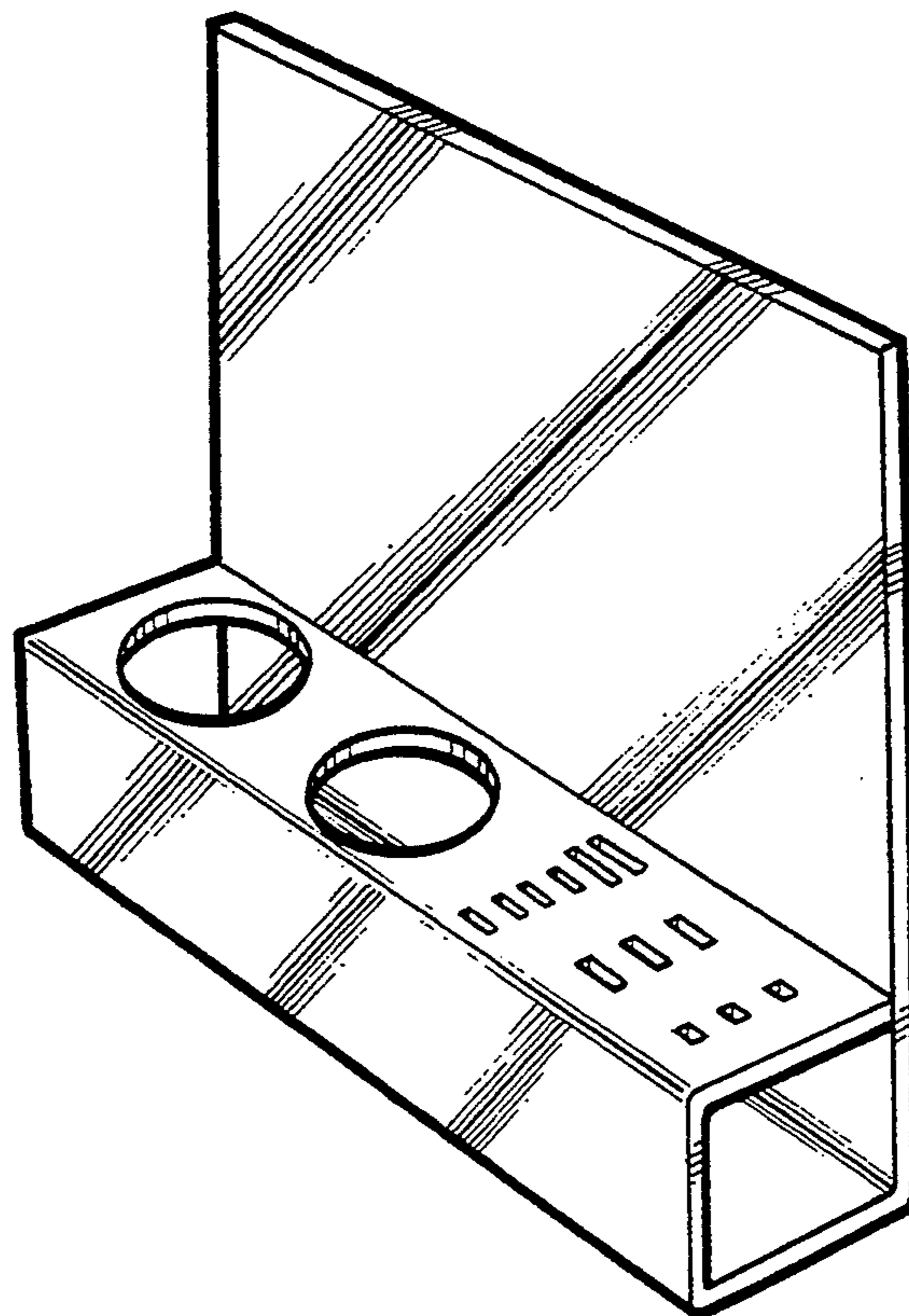
D. 69,338 1/1926 Weigel D28/61
D. 139,041 10/1944 Morrison D28/77
D. 208,376 8/1967 De Caccia D28/6 X
D. 210,055 1/1968 Walker D6/469 X
D. 210,478 3/1968 Fehn D7/553 X
D. 252,409 7/1979 Rose et al. D3/901 X
D. 287,788 1/1987 Shames et al. D3/901 X
D. 290,534 6/1987 Wendkos D28/76
D. 295,796 5/1988 Wadsworth et al. D28/77
D. 298,865 12/1988 Sussman D28/76
D. 304,842 11/1989 Barone et al. D6/476 X
D. 311,785 10/1990 Gaynor D28/61
D. 322,728 12/1991 Berman D6/476
D. 323,441 1/1992 Waldeck D6/476 X
D. 326,392 5/1992 Mondry et al. D7/701

[57] CLAIM

The ornamental design for a manicurist utensil stand, as shown and described.

DESCRIPTION

FIG. 1 is a front perspective view of a manicurist utensil stand showing my new design;
FIG. 2 is a left side elevational view of the manicurist utensil stand shown in FIG. 1;
FIG. 3 is a top plan view of the manicurist utensil stand shown in FIG. 1;
FIG. 4 is a bottom plan view of the manicurist utensil stand of FIG. 1;
FIG. 5 is a front elevational view of the manicurist utensil stand showing FIG. 1; and,
FIG. 6 is a back elevational view thereof, the broken away portion is for convenience of illustration.



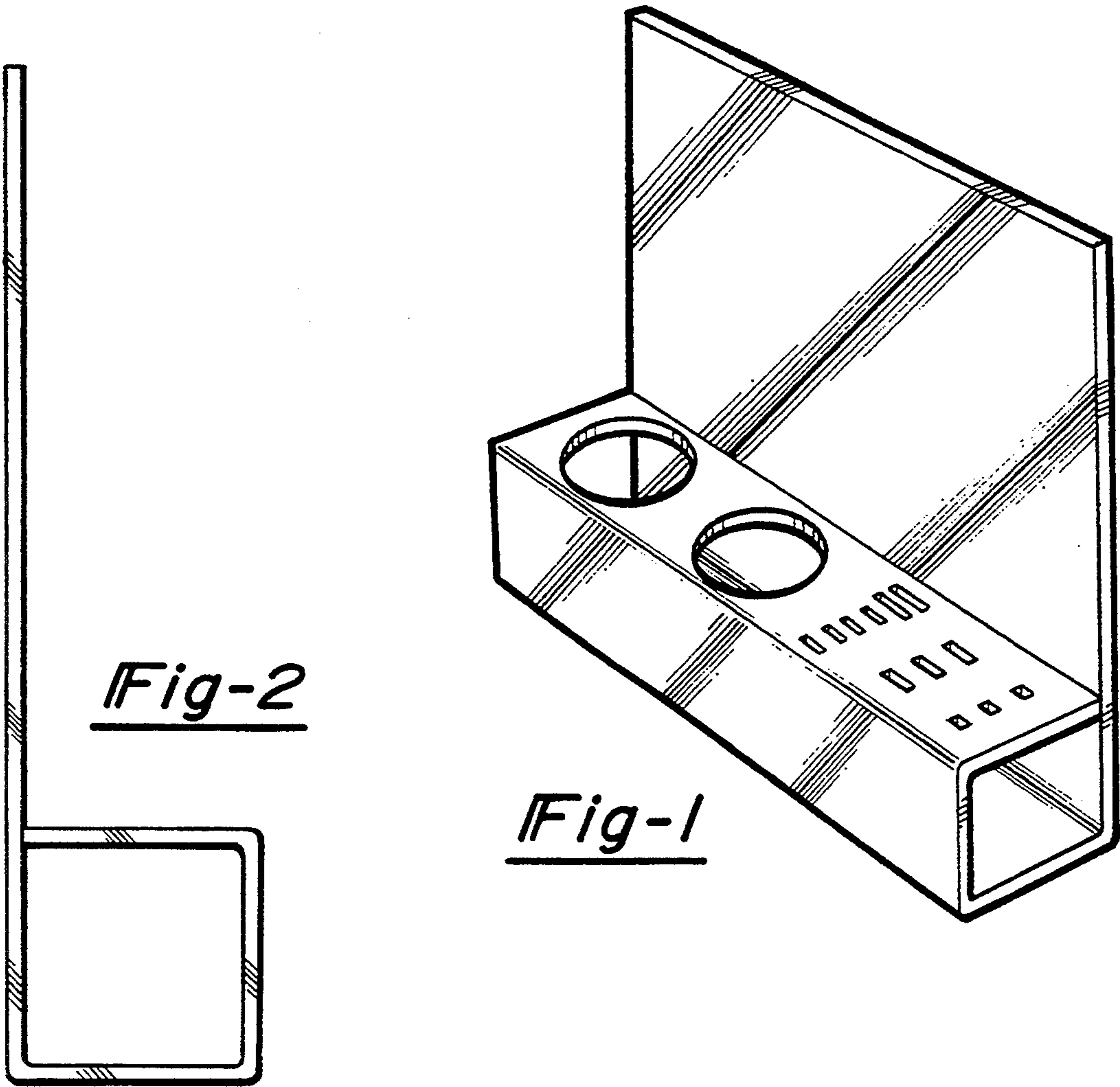


Fig-3

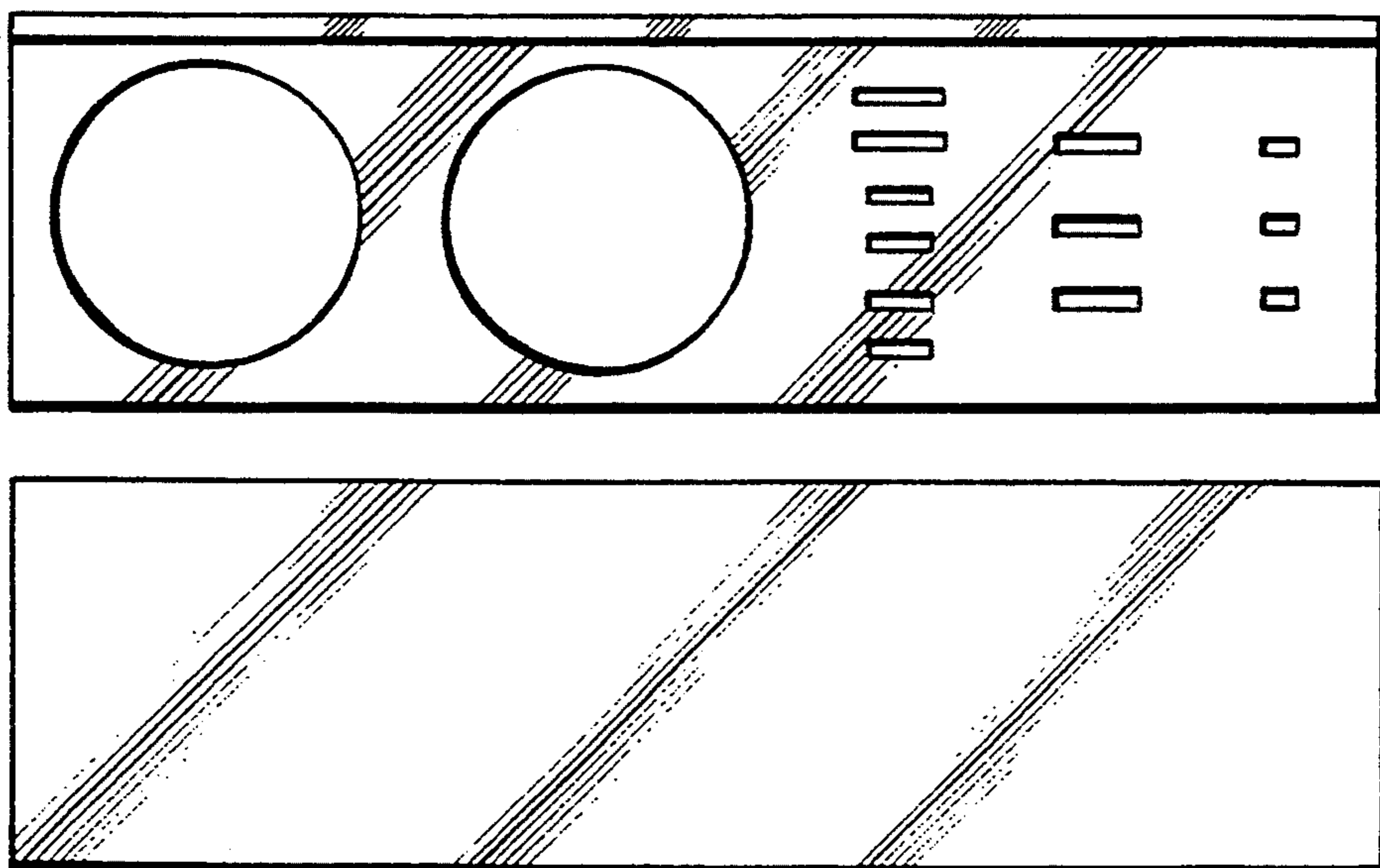


Fig-4

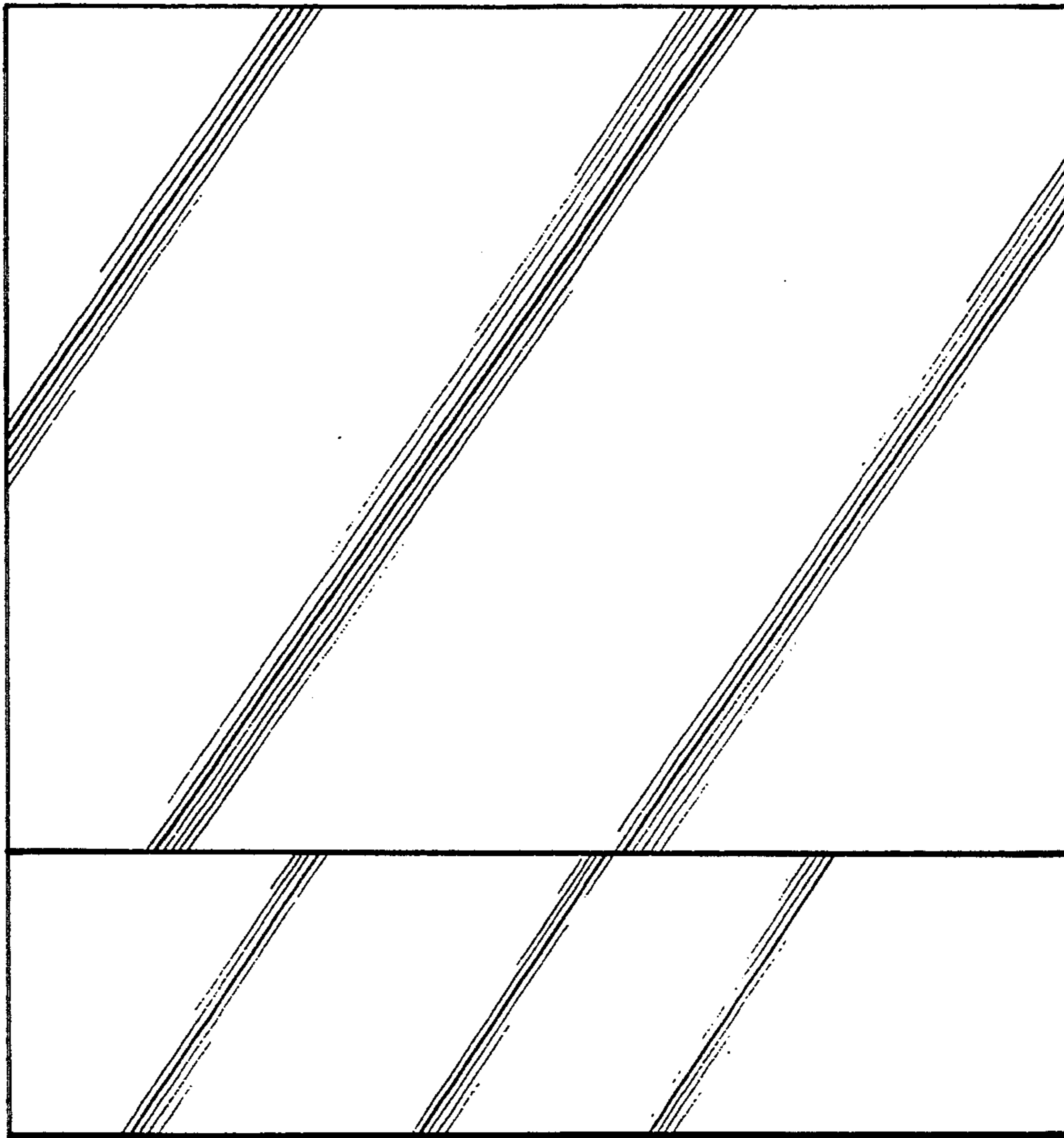


Fig-5

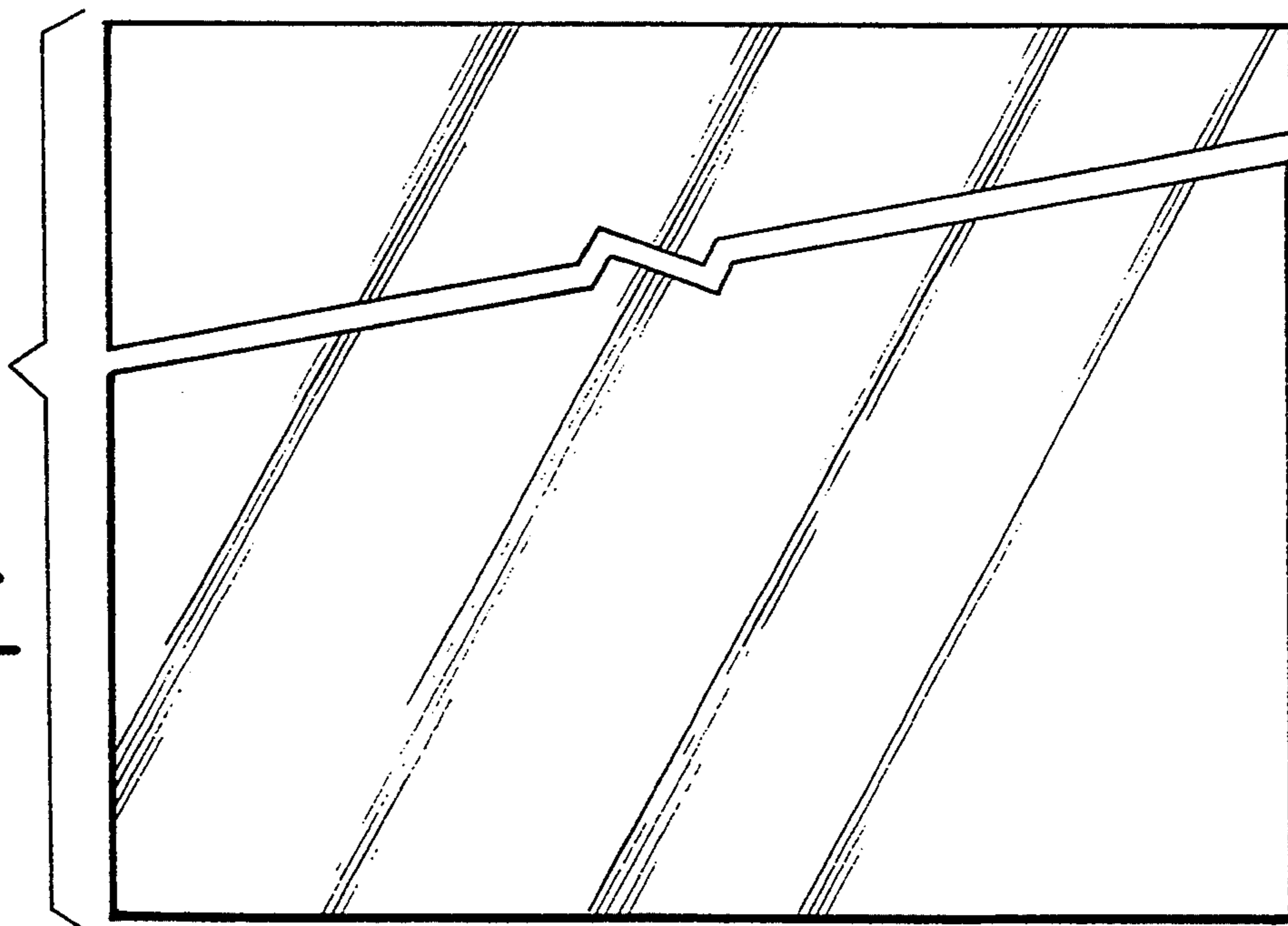


Fig-6