



US00D354365S

United States Patent [19]

[11] Patent Number: Des. 354,365

Roos et al.

[45] Date of Patent: ** Jan. 10, 1995

[54] GIMBLE RING LIGHT FIXTURE FOR USE ON TRACK

4,931,917 6/1990 Scherf et al. 362/419 X

[75] Inventors: Scott L. Roos, Glenview; John J. O'Rourke, Chicago, both of Ill.

Primary Examiner—Susan J. Lucas
Attorney, Agent, or Firm—Anthony S. Zummer

[73] Assignee: Juno Lighting, Inc., Des Plaines, Ill.

[57] CLAIM

[**] Term: 14 Years

The ornamental design for a gimble ring light fixture for use on track, as shown and described.

[21] Appl. No.: 12,519

DESCRIPTION

[22] Filed: Sep. 2, 1993

FIG. 1 is a top view of the gimble ring light fixture for use on track showing our new design;

[52] U.S. Cl. D26/63

FIG. 2 is a bottom view of the gimble ring light fixture for use on track shown in FIG. 1;

[58] Field of Search D26/60, 61, 62, 63, D26/65, 138, 140; 362/147, 269, 271, 275, 418, 419, 427

FIG. 3 is a front elevational view of the gimble ring light fixture for use on track shown in FIG. 1;

FIG. 4 is a rear elevational view of the gimble ring light fixture for use on track shown in FIG. 1;

[56] References Cited

U.S. PATENT DOCUMENTS

- D. 287,413 12/1986 Kusmer et al. D26/65
- D. 326,162 5/1992 Price D26/63
- D. 327,548 6/1992 Wereley D26/63 X
- 4,814,955 3/1989 Price 362/419 X

FIG. 5 is a left side elevational view of the gimble ring light fixture for use on track shown in FIG. 1; and,

FIG. 6 is a right side elevational view of the gimble ring light fixture for use on track shown in FIG. 1.

The support and lamp are shown in broken lines for illustrative purposes only.

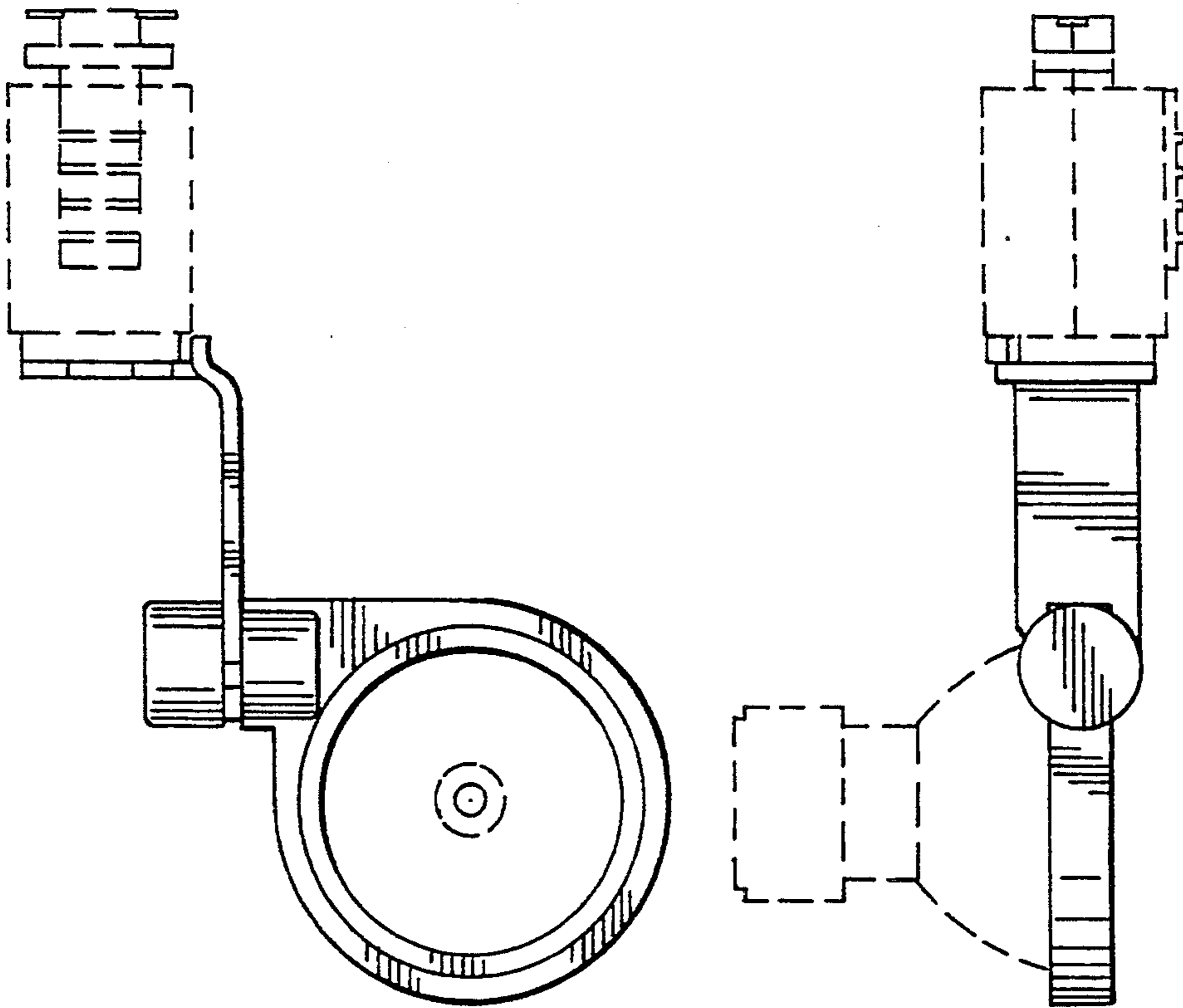


FIG.1

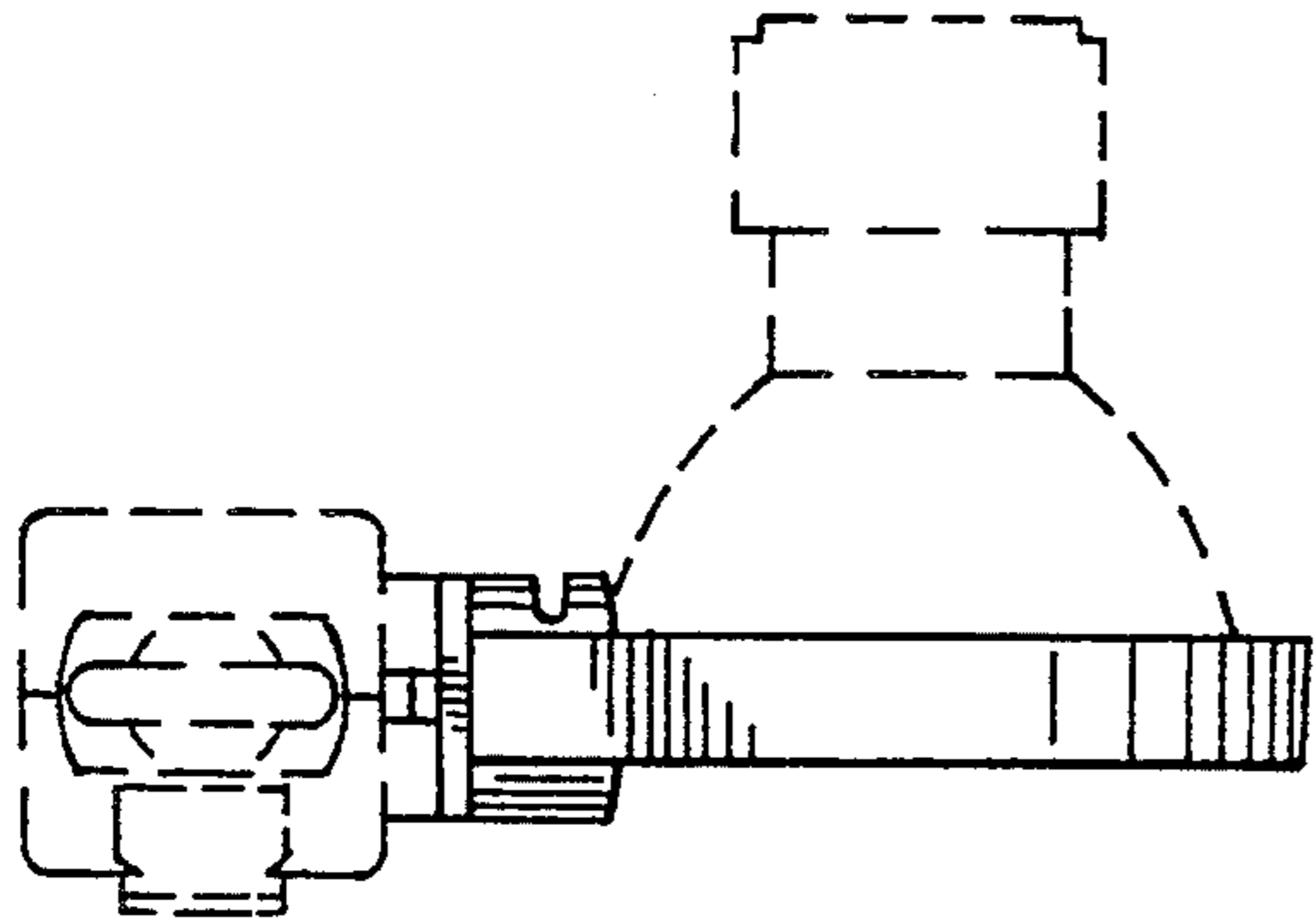


FIG.3

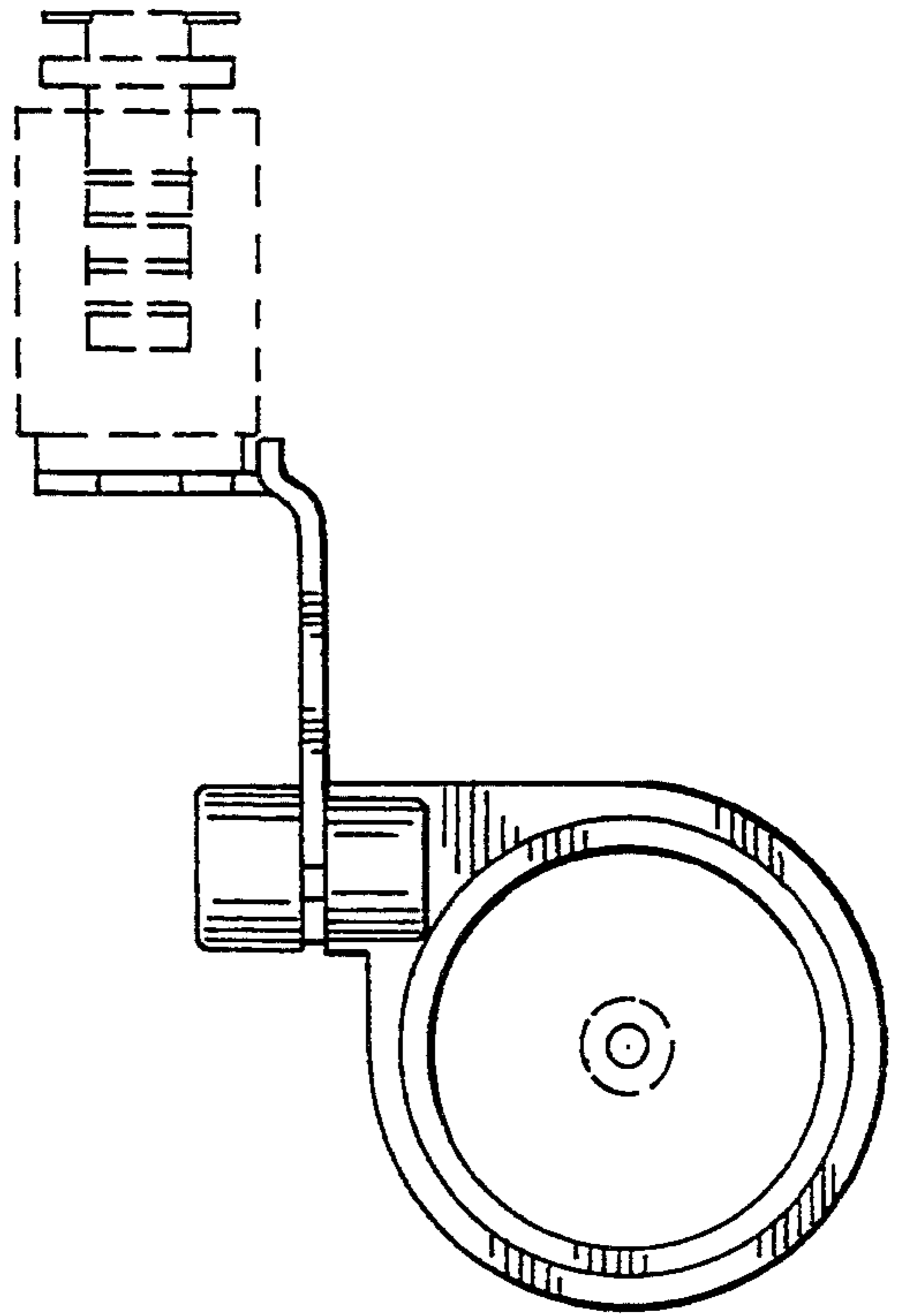


FIG.2

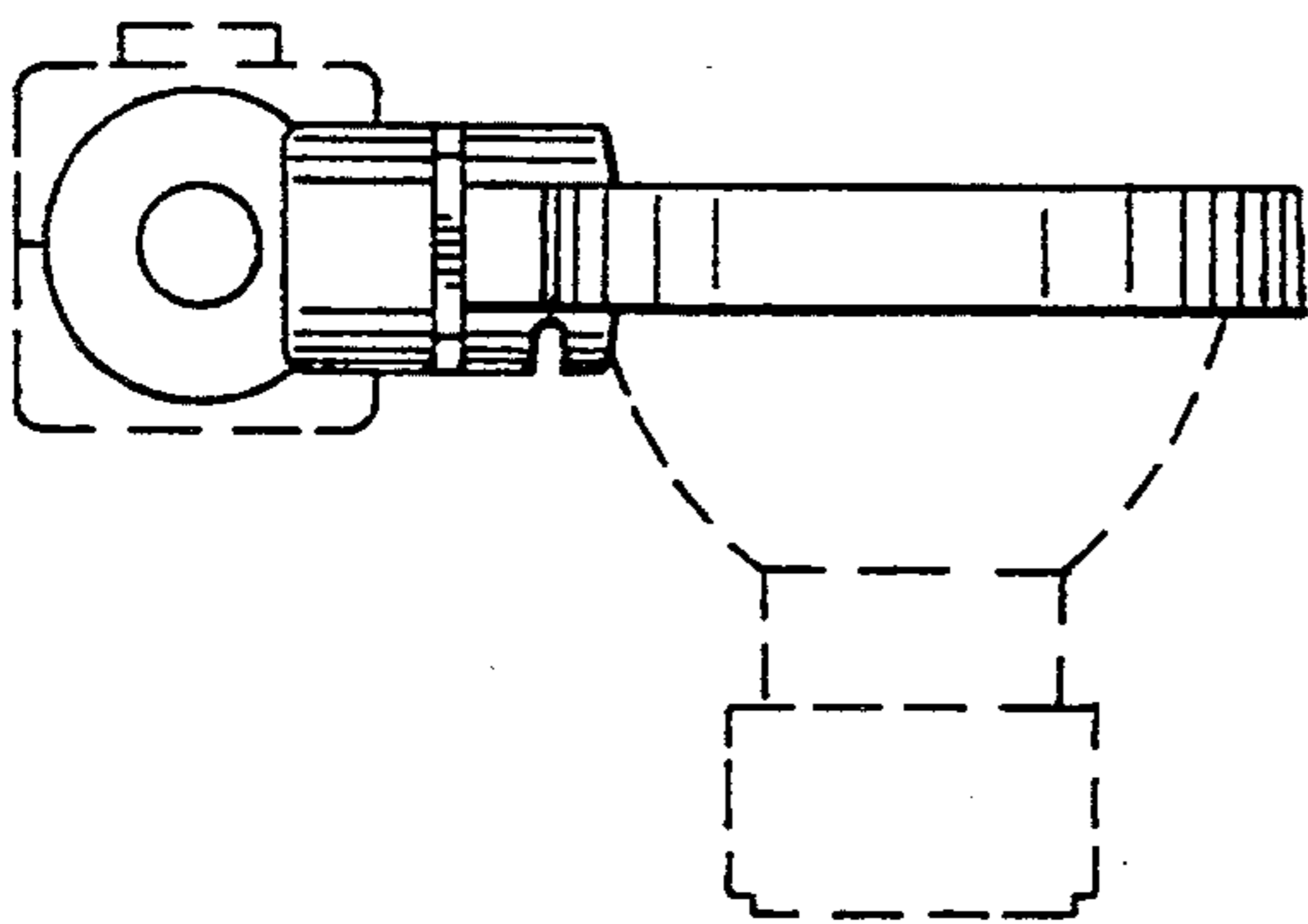


FIG.4

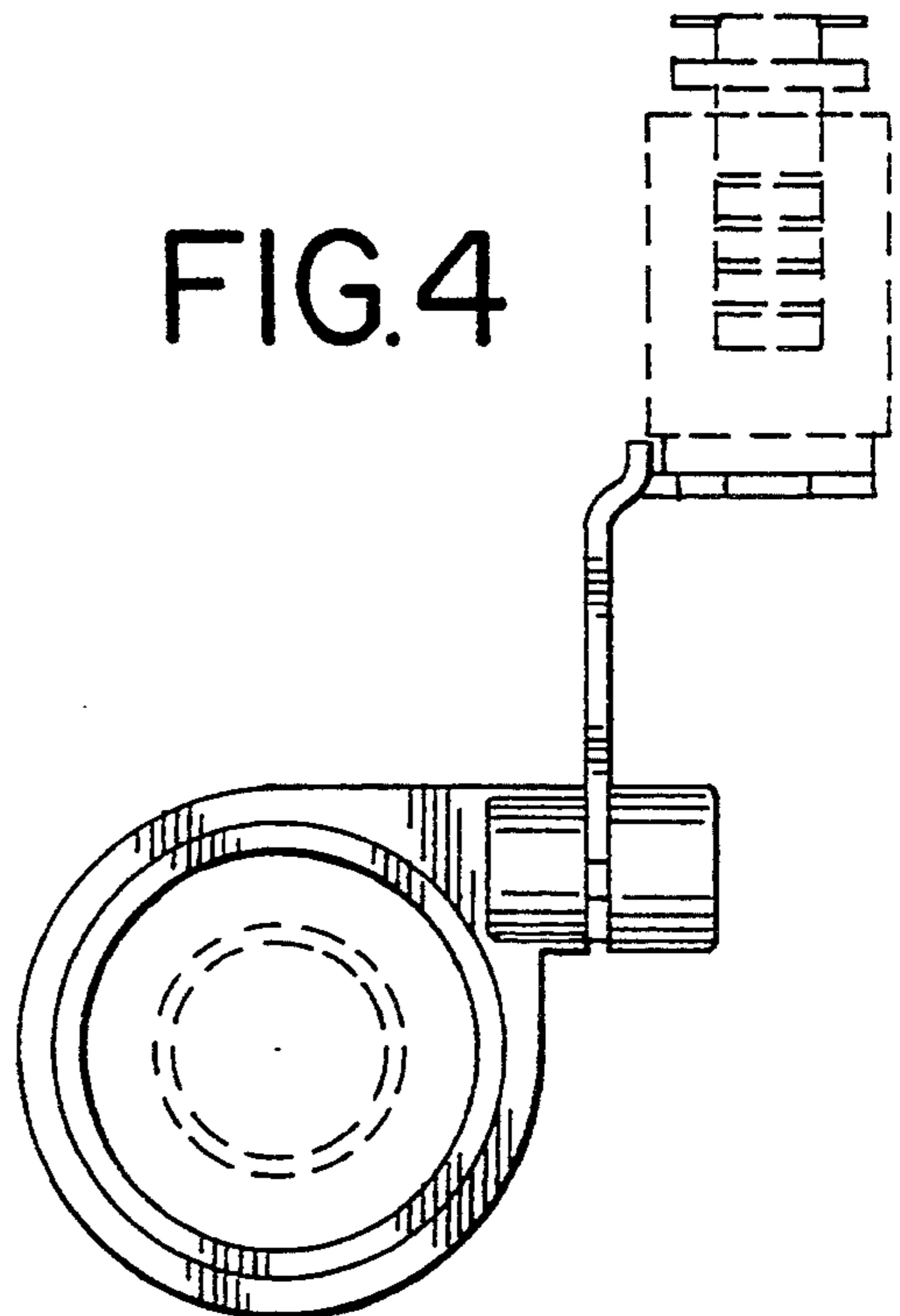


FIG. 5

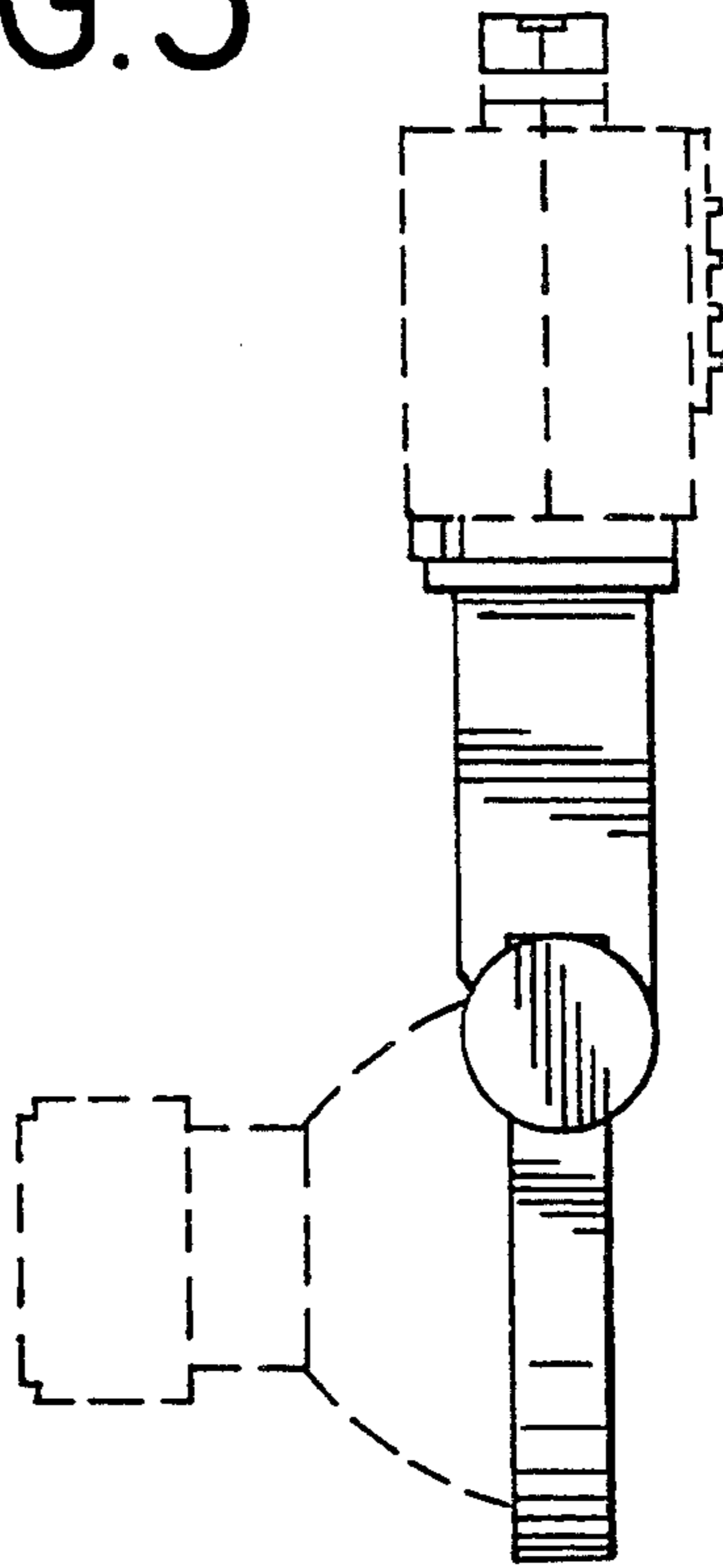


FIG. 6

