



US00D354364S

United States Patent [19] Yuen

[11] Patent Number: **Des. 354,364**

[45] Date of Patent: **** Jan. 10, 1995**

[54] **MULTI-PURPOSE FLUORESCENT LANTERN**

[75] Inventor: **John Se-Kit Yuen, Kowloon, Hong Kong**

[73] Assignee: **John Manufacturing Limited, Kowloon, Hong Kong**

[**] Term: **14 Years**

[21] Appl. No.: **8,946**

[22] Filed: **Jun. 1, 1993**

[30] **Foreign Application Priority Data**

Dec. 1, 1992 [GB] United Kingdom 2027514

[52] U.S. Cl. **D26/42; D26/44**

[58] Field of Search **D26/37-50; 362/157, 158, 183, 184, 188-203**

[56] **References Cited**

U.S. PATENT DOCUMENTS

D. 344,152 2/1994 Yuen D26/42 X
4,977,489 12/1990 Fung 362/184

FOREIGN PATENT DOCUMENTS

2007195 5/1990 United Kingdom .
9021155.8 9/1990 United Kingdom .
2016495 8/1991 United Kingdom .
2017379 9/1991 United Kingdom .

Primary Examiner—Susan J. Lucas
Attorney, Agent, or Firm—Fay, Sharpe, Beall, Fagan, Minnich & McKee

[57] **CLAIM**

The ornamental design for a multi-purpose fluorescent lantern, as shown and described.

DESCRIPTION

FIG. 1 is a rear elevational view of a multi-purpose fluorescent lantern showing my new design;
FIG. 2 is a top plan view thereof;
FIG. 3 is a left side elevational view thereof;
FIG. 4 is a bottom plan view thereof;
FIG. 5 is a front elevational view thereof;
FIG. 6 is a right side elevational view thereof; and,
FIG. 7 is a right side elevational view thereof with the fluorescent lantern in an alternate position.

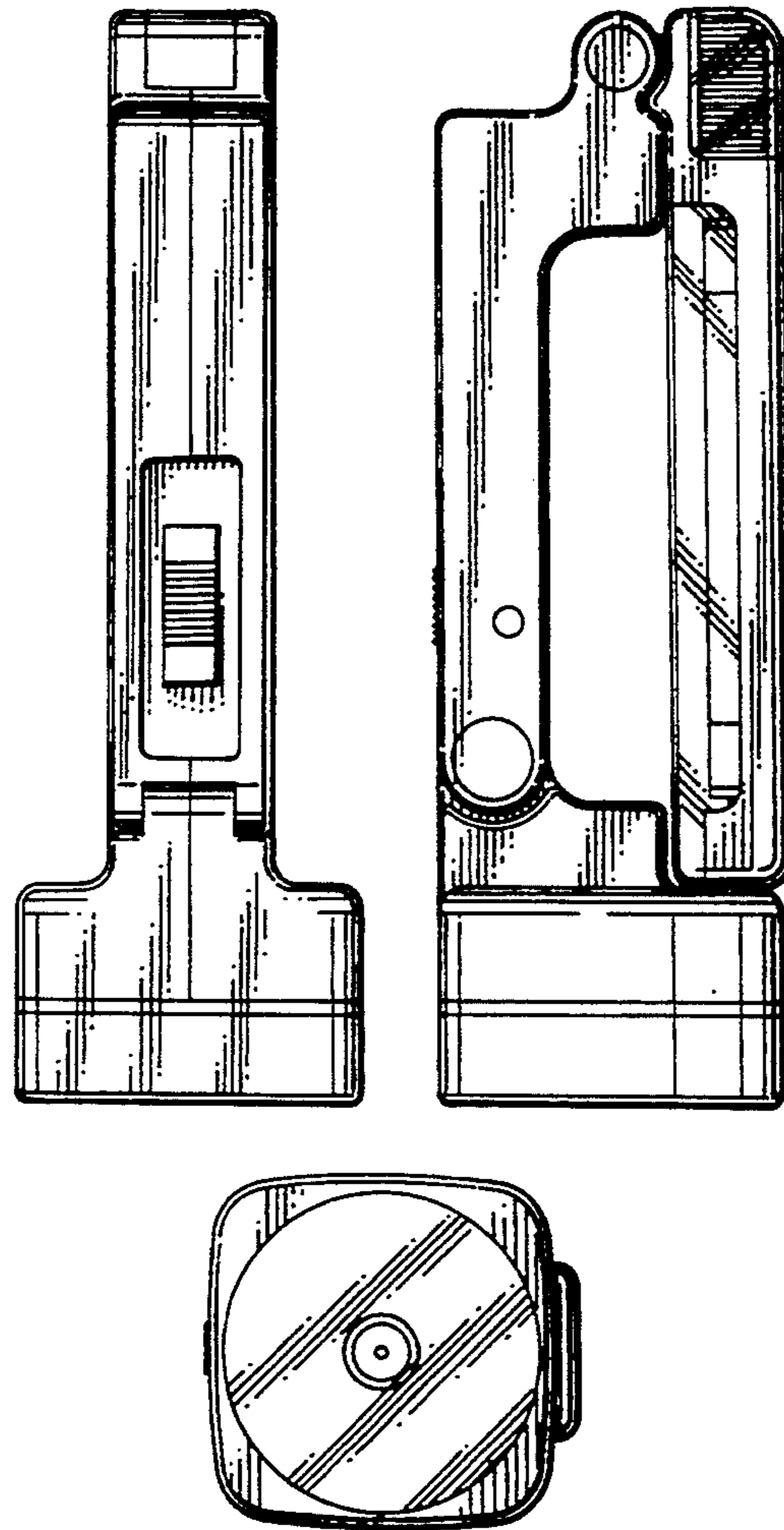


FIG. 1

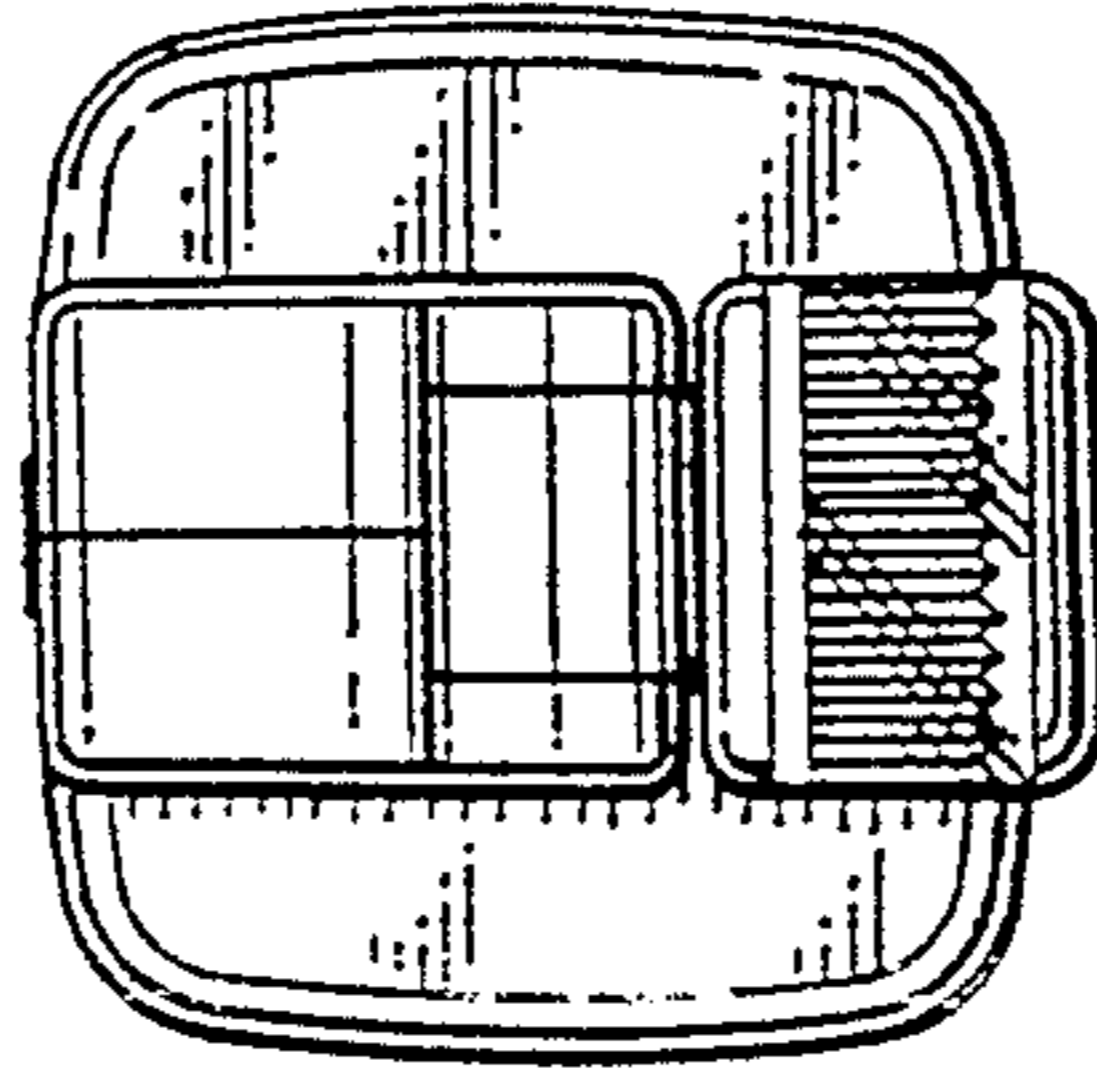


FIG. 2

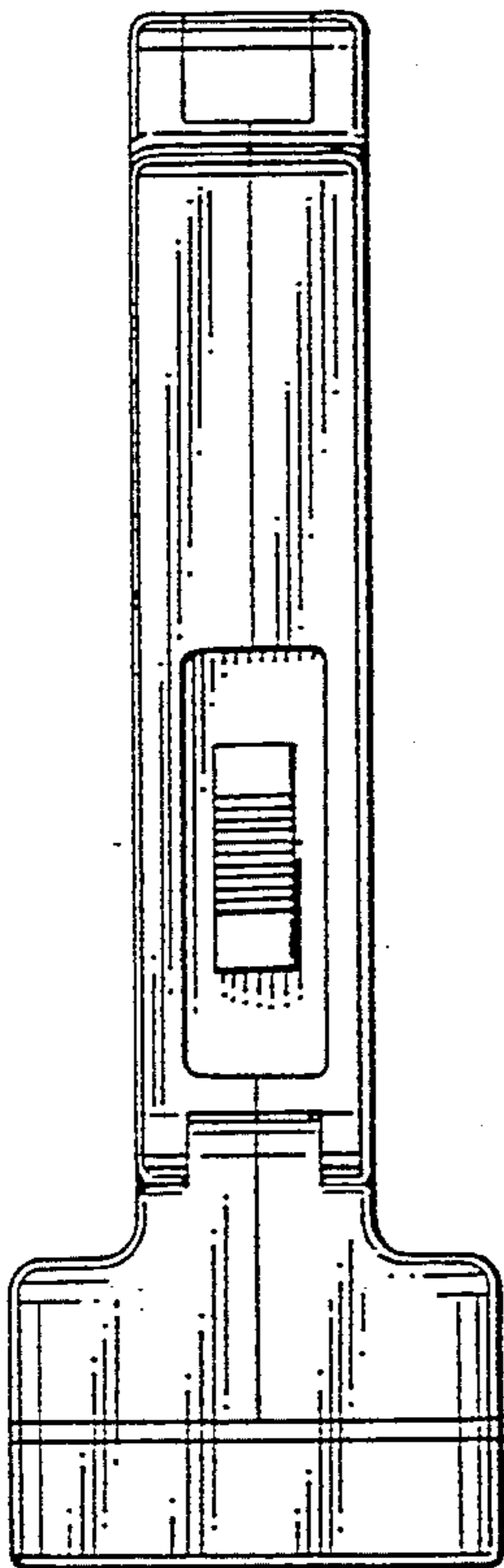


FIG. 3

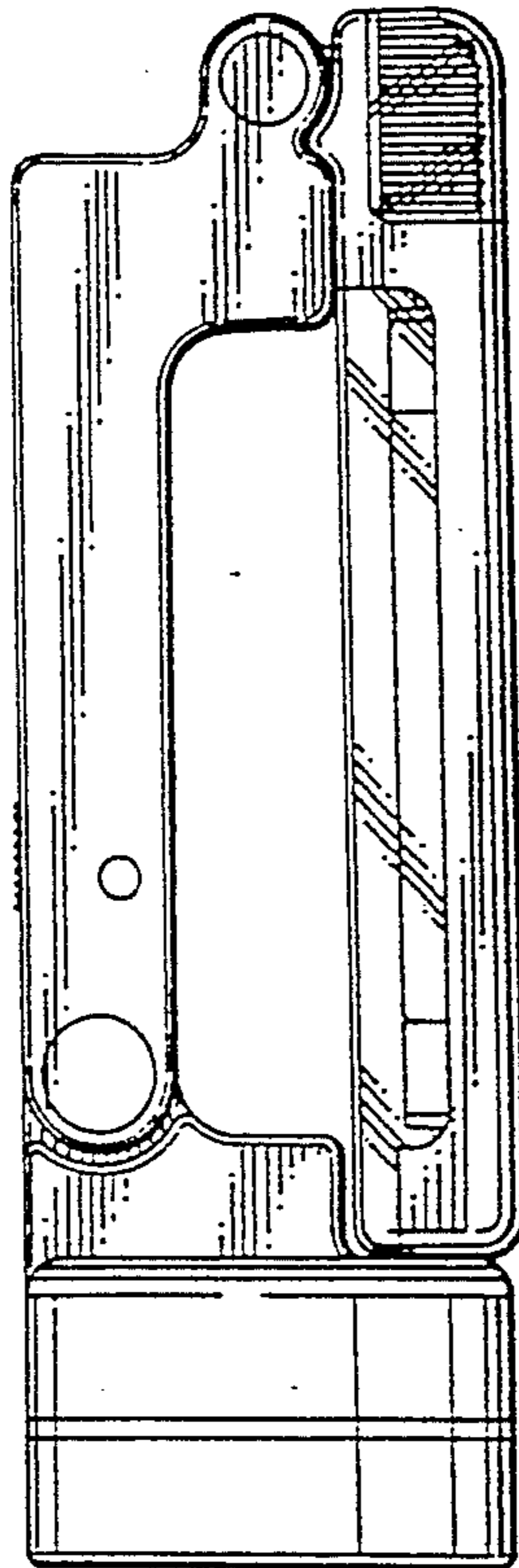


FIG. 4

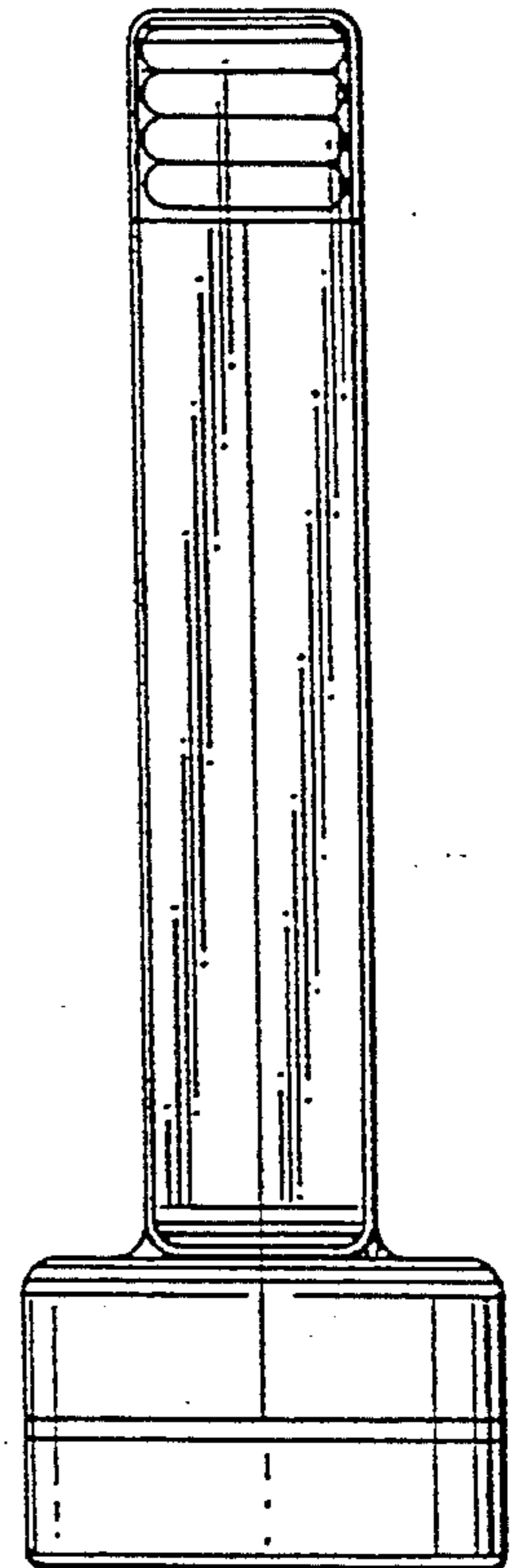
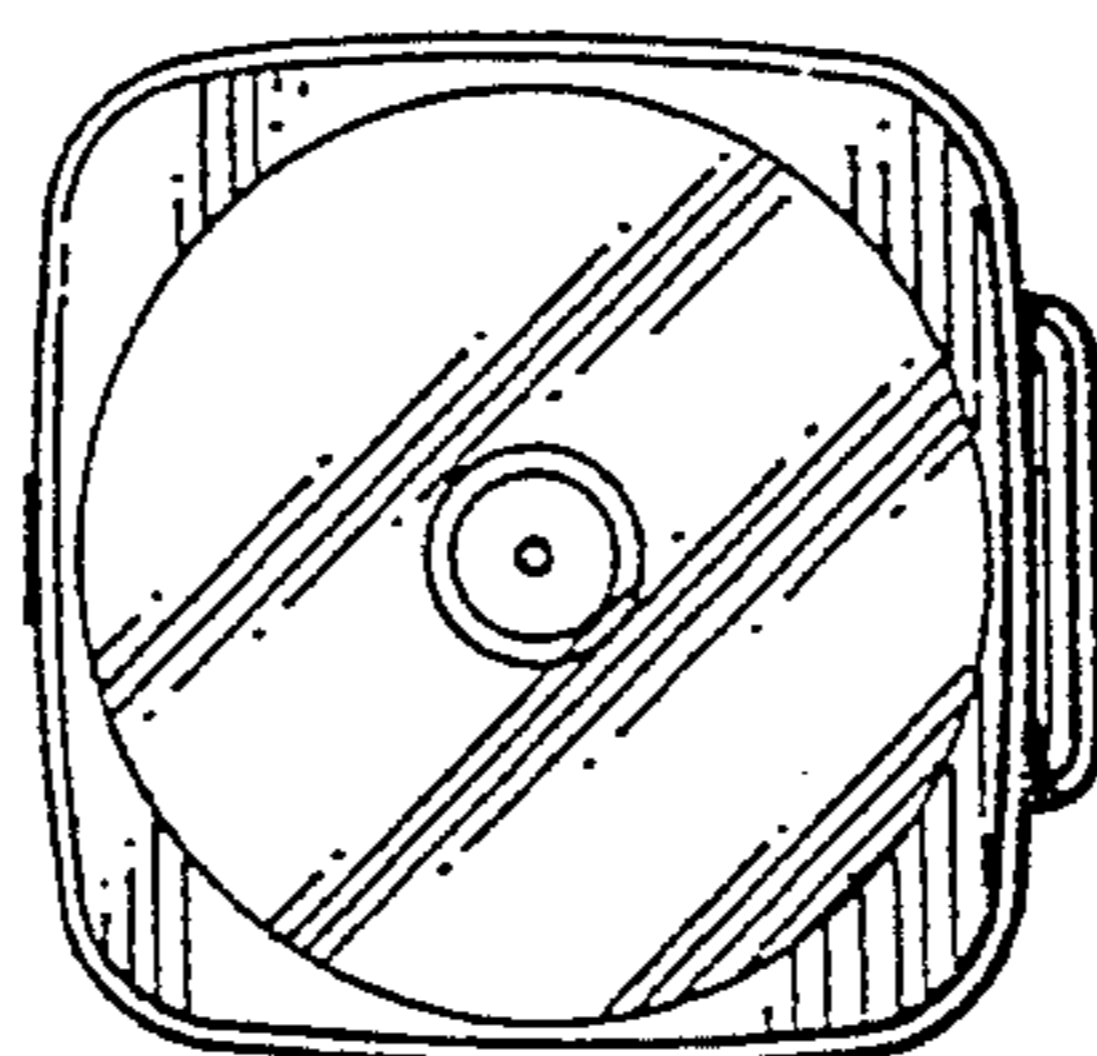


FIG. 5



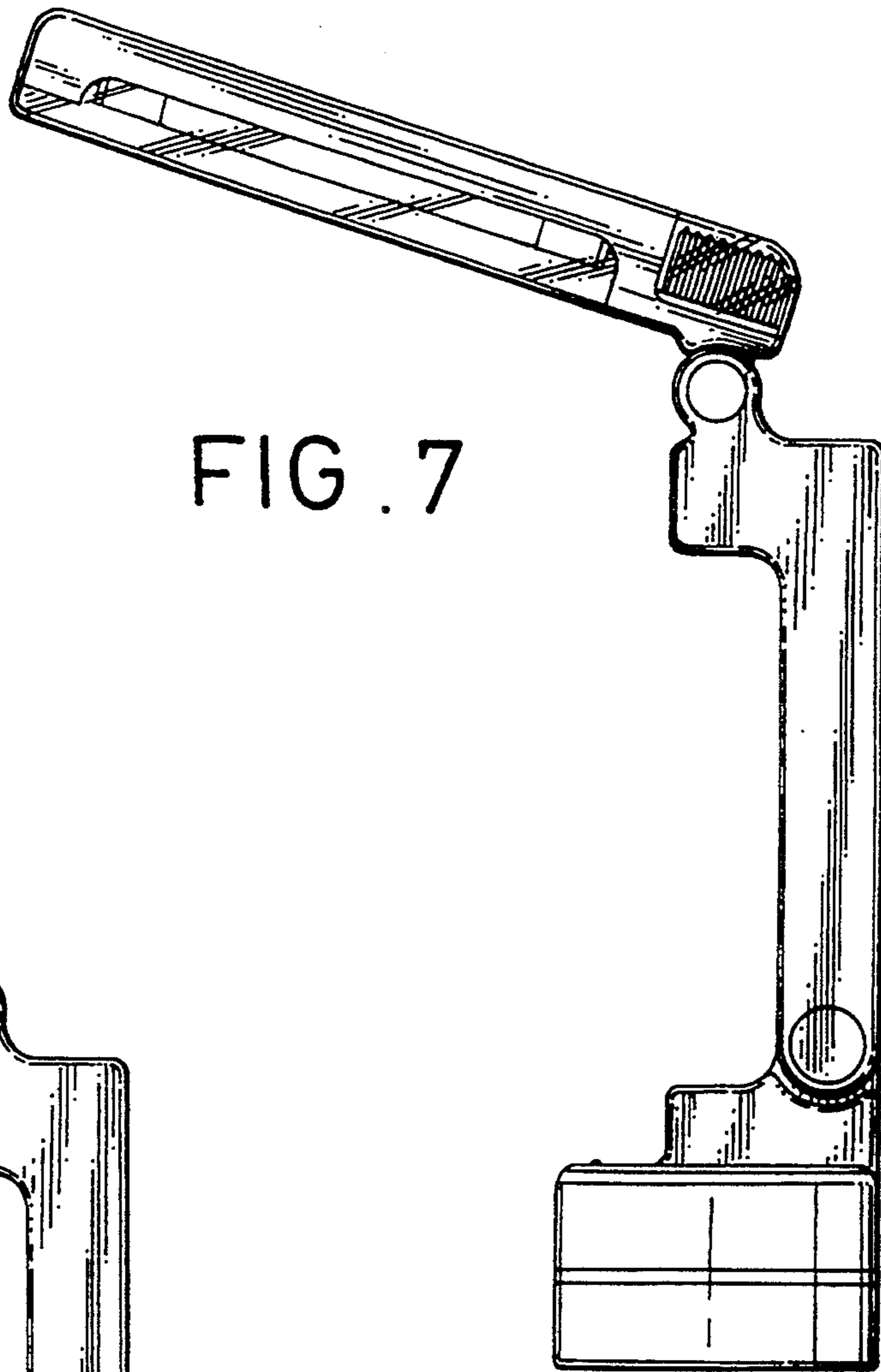


FIG. 7

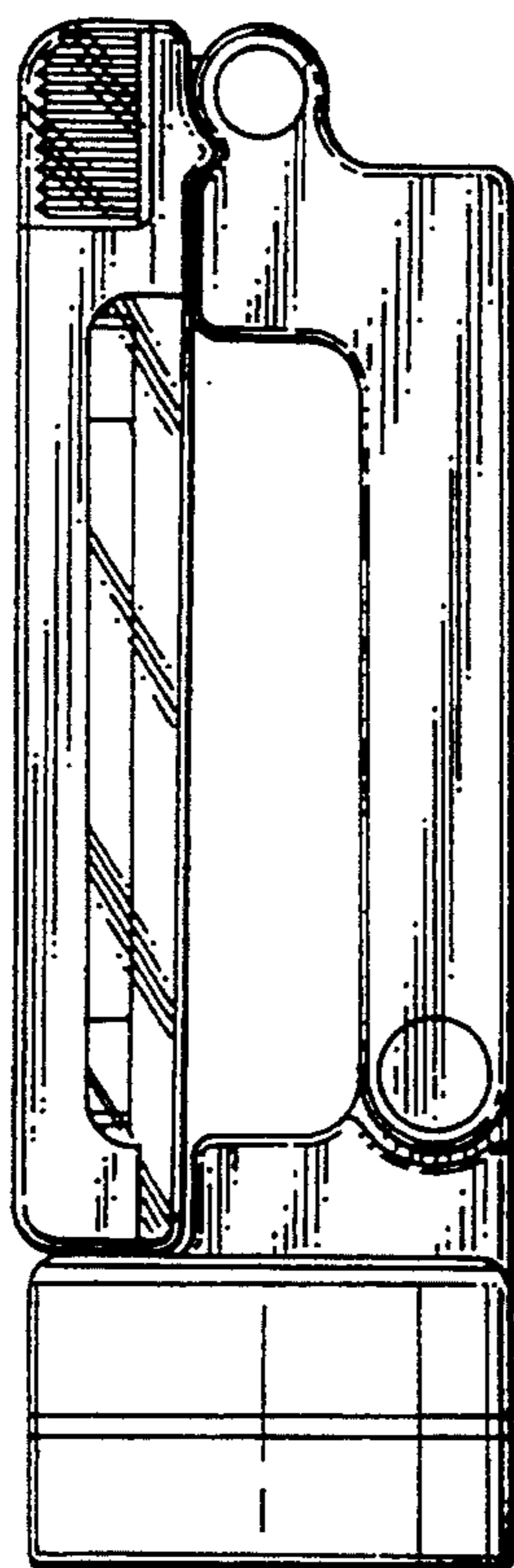


FIG. 6