



US00D354363S

United States Patent [19] Tsai

[11] Patent Number: Des. 354,363

[45] Date of Patent: ** Jan. 10, 1995

[54] FOG LIGHT

[76] Inventor: Wen-Tsung Tsai, No. 58-3, Lane 410,
Wen Hua Rd., Sec. 2, Pan Chiao,
Taipei, Taiwan, Prov. of China

[**] Term: 14 Years

[21] Appl. No.: 16,546

[22] Filed: Dec. 20, 1993

[52] U.S. Cl. D26/28

[58] Field of Search D26/28-36;
362/61, 80, 81, 82, 83

[56] References Cited

U.S. PATENT DOCUMENTS

D. 266,599	10/1982	Suzuki	D26/28
D. 267,979	2/1983	Mauroy	D26/28
D. 270,190	8/1983	Ichikawa	D26/28
D. 333,879	3/1993	Tsai	D26/28
2,380,174	4/1938	Gagnier	362/61

OTHER PUBLICATIONS

Dominion Auto Magazine Jan. 1977 p. 23 (Fog Lights).

Primary Examiner—Wallace R. Burke

Assistant Examiner—Marcus Jackson

Attorney, Agent, or Firm—Jacobson, Price, Holman & Stern

[57] CLAIM

The ornamental design for a fog light, as shown and described.

DESCRIPTION

FIG. 1 is a front and top perspective view of a fog light showing my new design;

FIG. 2 is a front elevational view thereof;

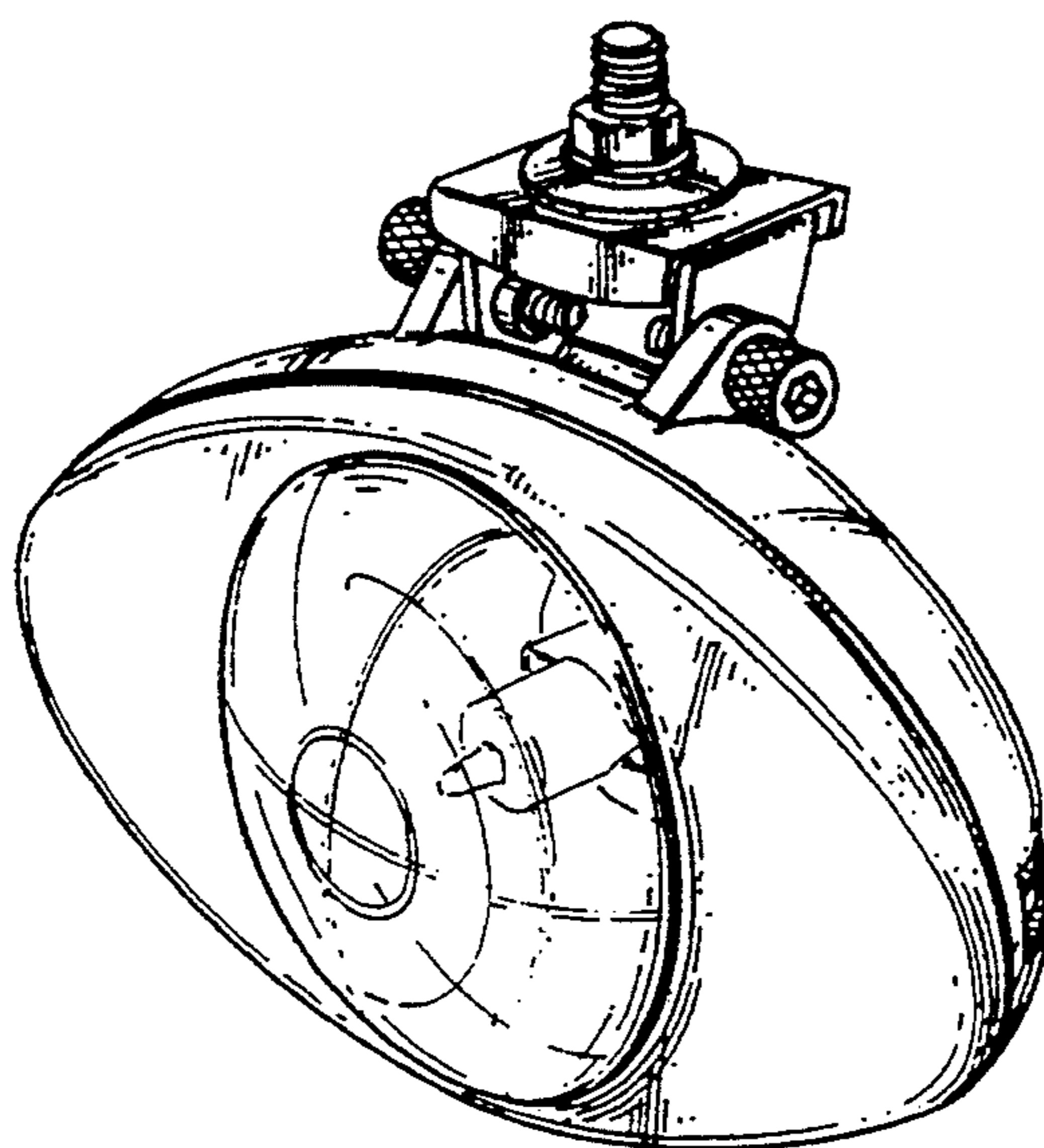
FIG. 3 is a rear elevational view thereof;

FIG. 4 is a left side elevational view thereof;

FIG. 5 is a right side elevational view thereof;

FIG. 6 is a top plan view thereof; and,

FIG. 7 is a bottom plan view thereof.



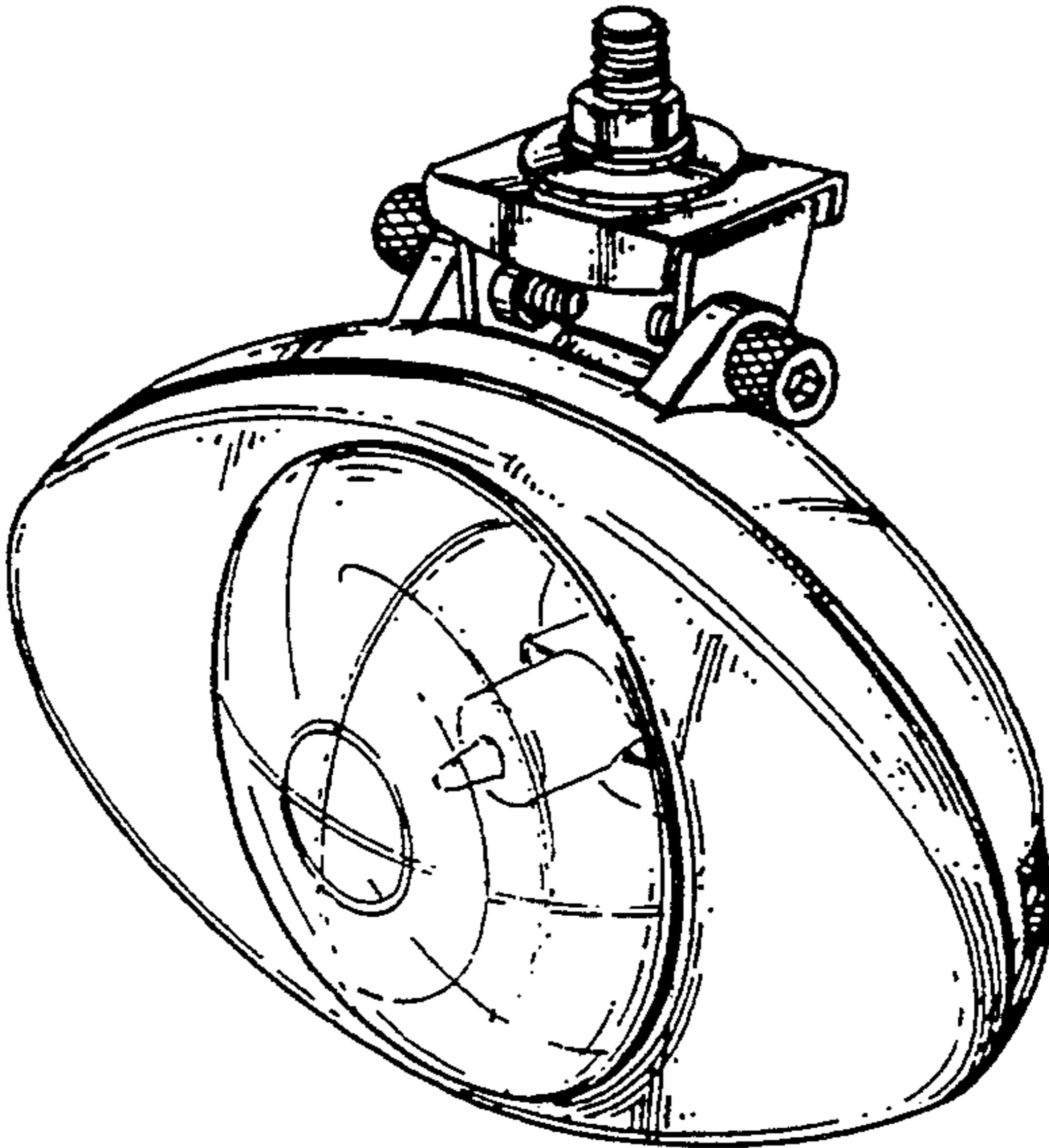


FIG 1

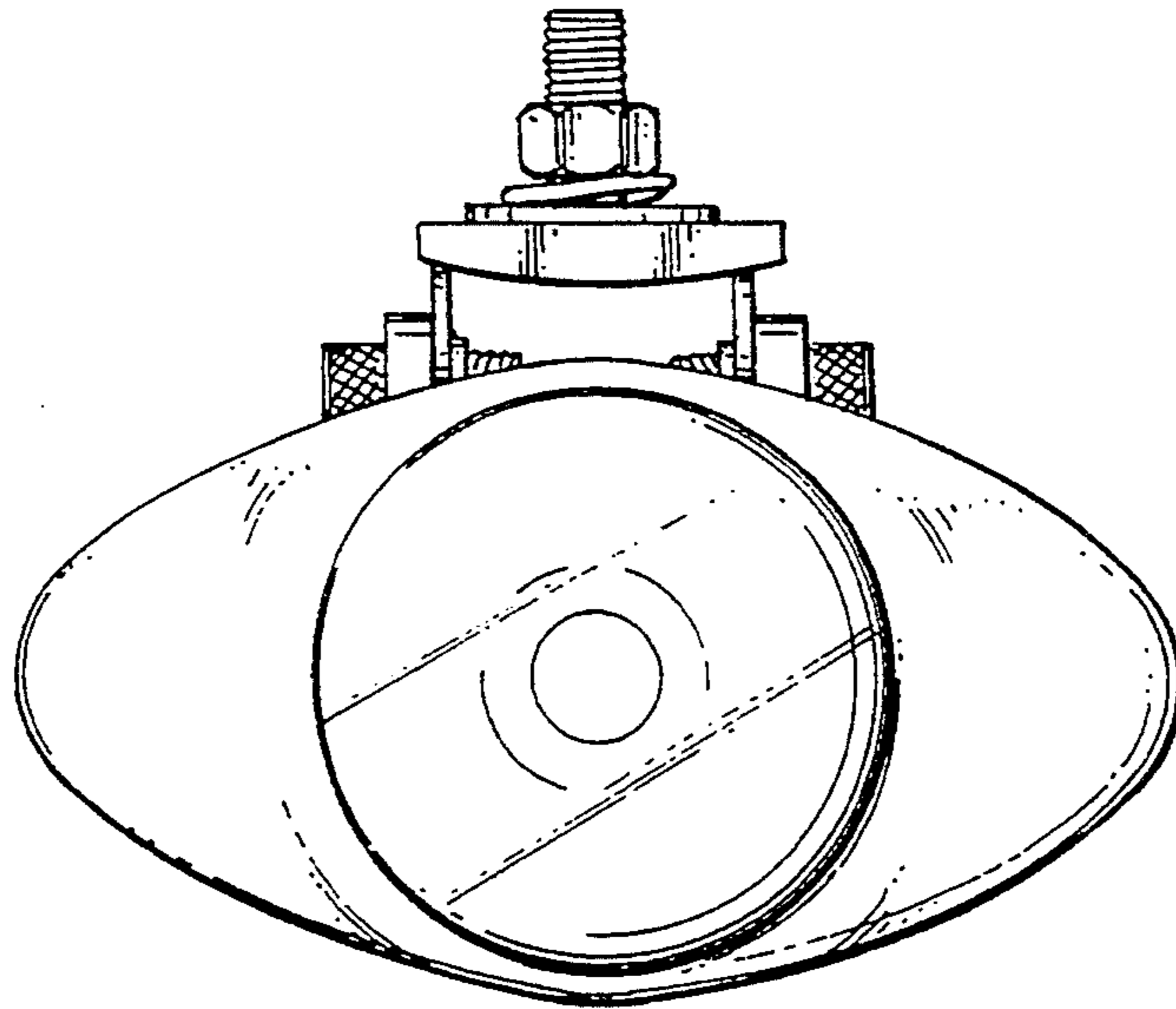


FIG 2

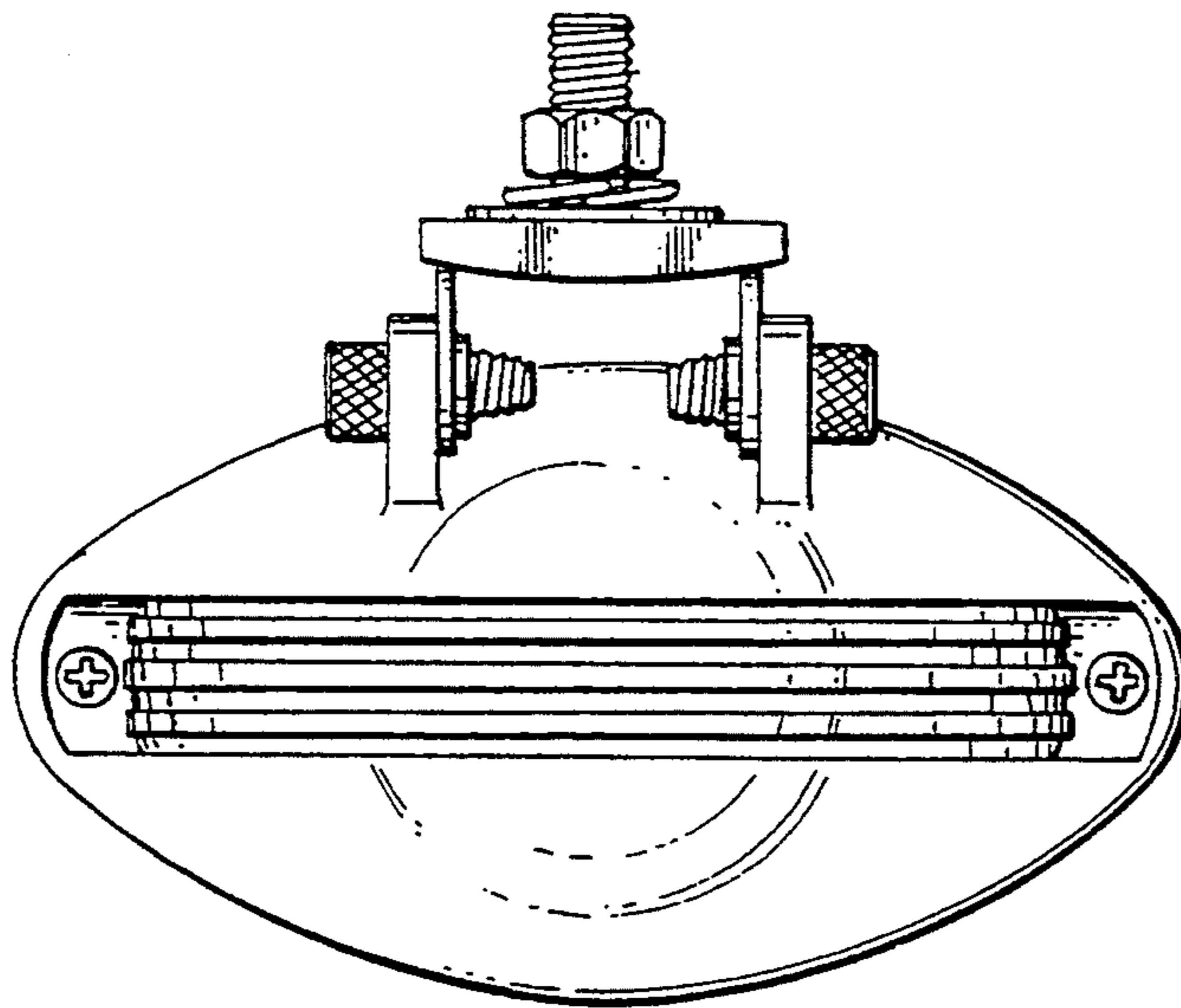


FIG 3

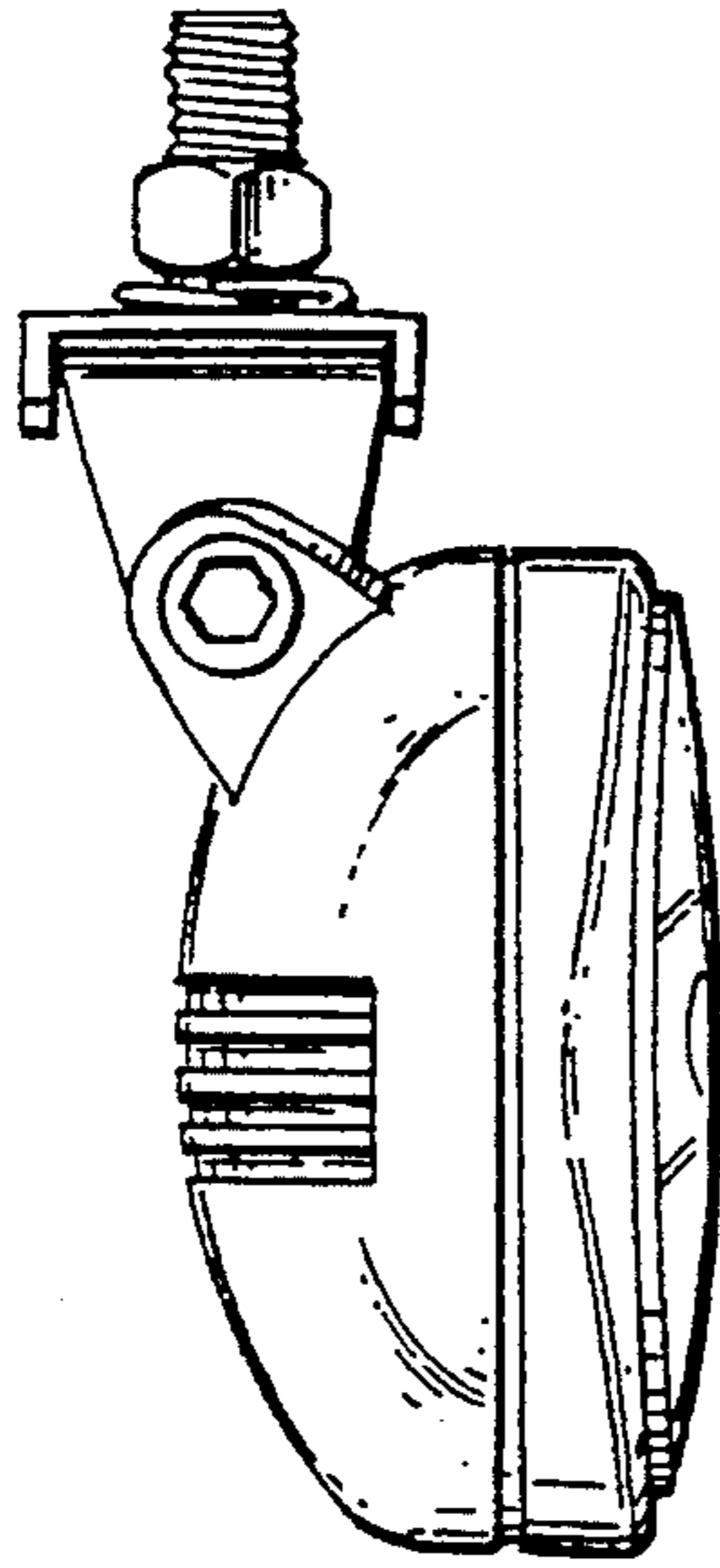


FIG 4

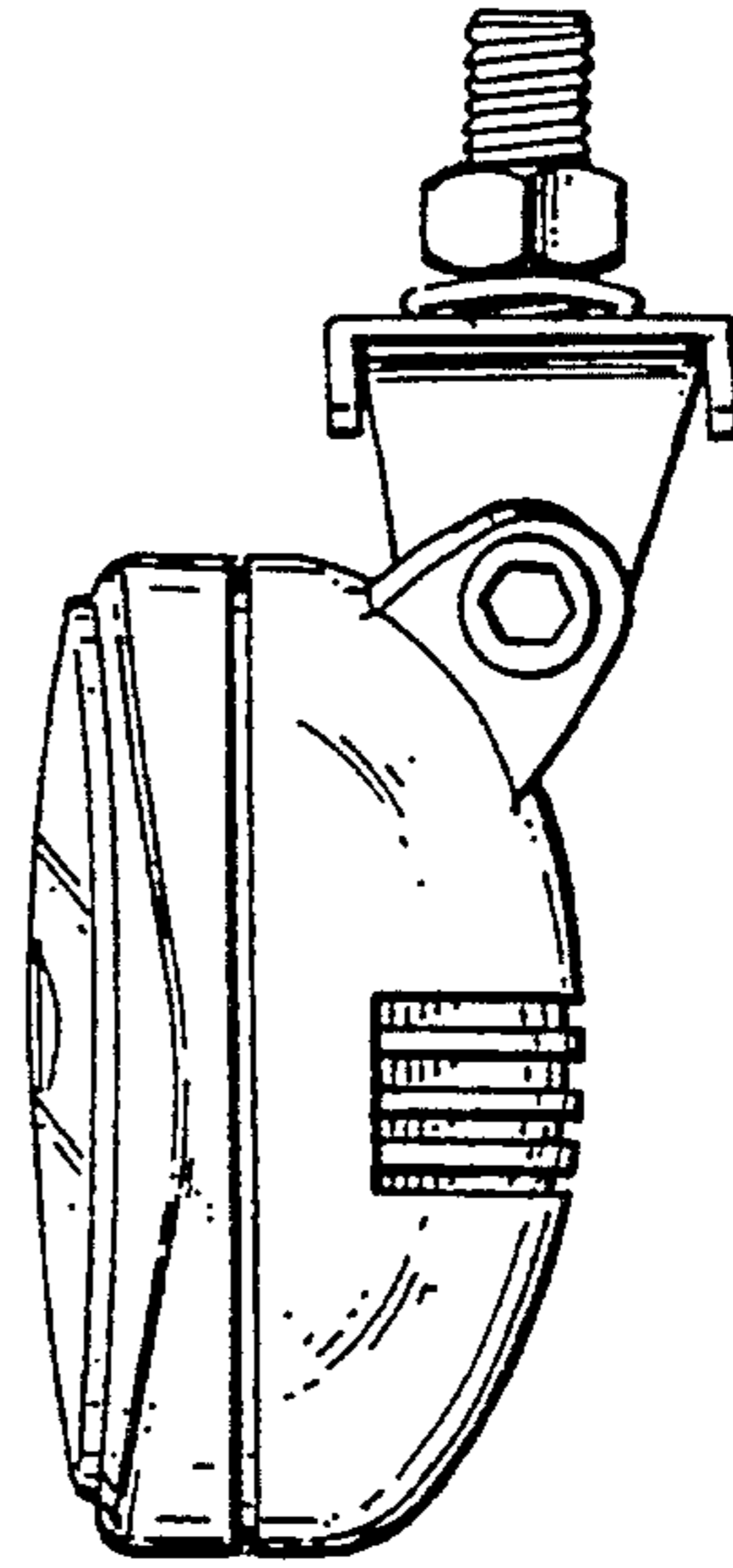


FIG 5

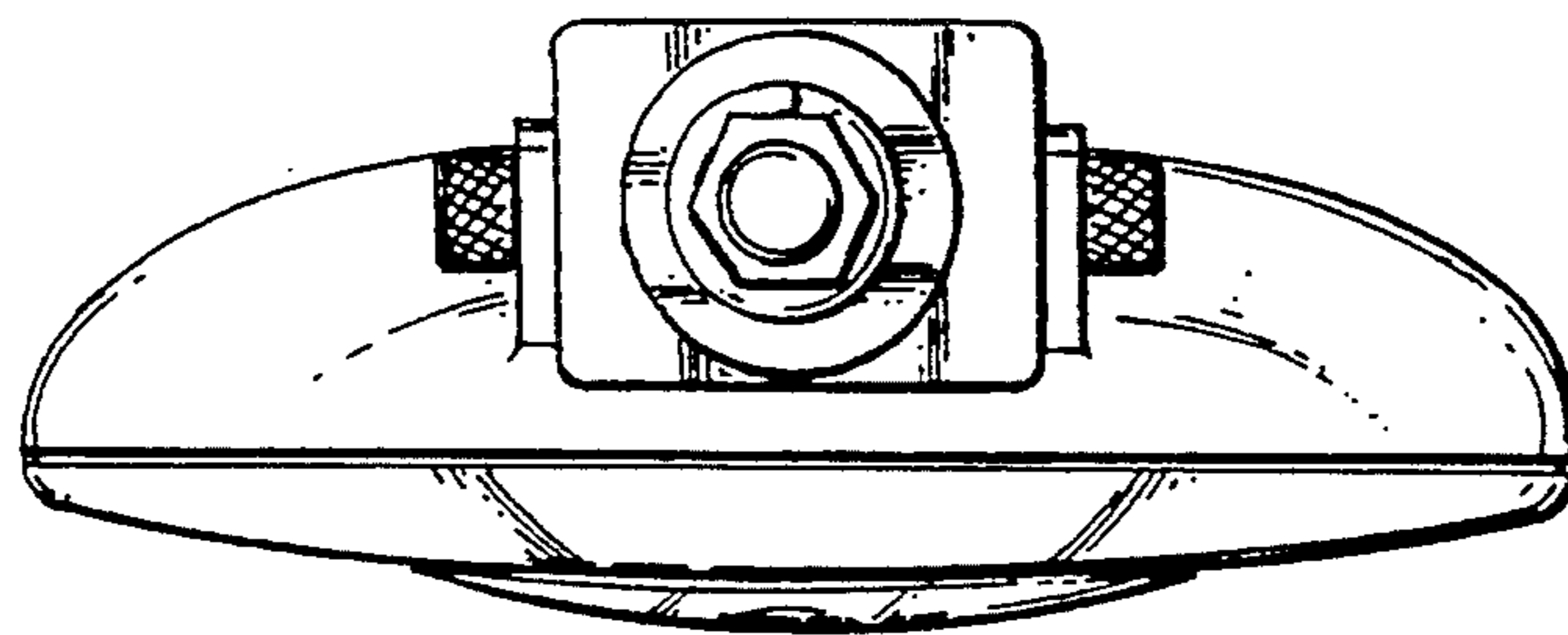


FIG 6

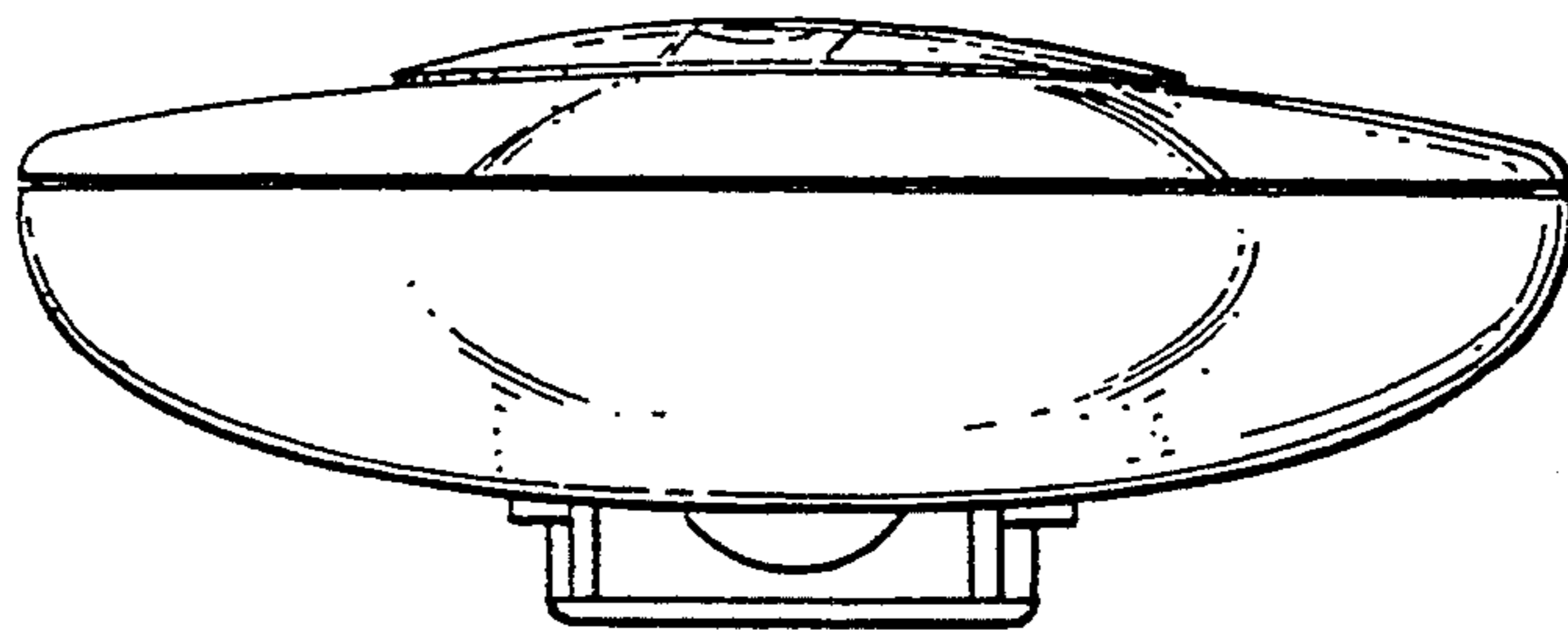


FIG 7